

US00D509748S

(12) **United States Design Patent** (10) **Patent No.:** **US D509,748 S**
Carmichael et al. (45) **Date of Patent:** **** Sep. 20, 2005**

(54) **CONTAINER**

(75) Inventors: **Gary H. Carmichael**, Des Plaines, IL
(US); **Peter Privert**, Naperville, IL
(US)

(73) Assignee: **Kraft Foods Holdings, Inc.**, Northfield,
IL (US)

(**) **Term:** **14 Years**

(21) Appl. No.: **29/198,411**

(22) Filed: **Jan. 28, 2004**

D321,457 S * 11/1991 Kahl D7/608
D328,248 S 7/1992 Ruff
D332,750 S * 1/1993 Moloney et al. D9/556
D332,894 S * 2/1993 Green D7/511
5,207,812 A * 5/1993 Tronto et al. 55/498
5,261,558 A * 11/1993 Claydon 220/671
D356,265 S * 3/1995 Moloney et al. D9/556
D368,035 S * 3/1996 Ahern, Jr. D9/556
D408,689 S 4/1999 Kato
D421,393 S * 3/2000 Pavely et al. D9/556
D440,294 S * 4/2001 Bilek D23/365
D445,689 S 7/2001 McCutchan
D447,957 S * 9/2001 Lichtman et al. D9/556
D474,651 S 5/2003 Ward

* cited by examiner

Related U.S. Application Data

(62) Division of application No. 29/174,574, filed on Jan. 21,
2003.

(51) **LOC (8) Cl.** **09-01**

(52) **U.S. Cl.** **D9/556; D9/558**

(58) **Field of Search** D9/500, 503, 513,
D9/515, 516, 518, 529, 530, 537-539, 549,
556, 558, 504; 215/382-384, 396, 398,
400; 220/660, 669-675

(56) **References Cited**

U.S. PATENT DOCUMENTS

D19,417 S * 11/1889 Estes D9/503
D44,463 S * 8/1913 Ackermann D9/502
D62,888 S * 8/1923 Davis, Jr. et al. D9/545
D187,811 S 5/1960 Heppenstall
D202,003 S 8/1965 Douglas
D248,373 S 7/1978 Allen
D266,649 S 10/1982 Plewes et al.
D277,550 S * 2/1985 Campbell et al. D9/500
D292,492 S 10/1987 Ross et al.
D312,964 S 12/1990 Carmine et al.

Primary Examiner—Carol Rademaker

(74) *Attorney, Agent, or Firm*—Fitch, Even, Tabin &
Flannery

(57) **CLAIM**

The ornamental design for a container, as shown and
described.

DESCRIPTION

FIG. 1 is a perspective view of a container showing our new
design;

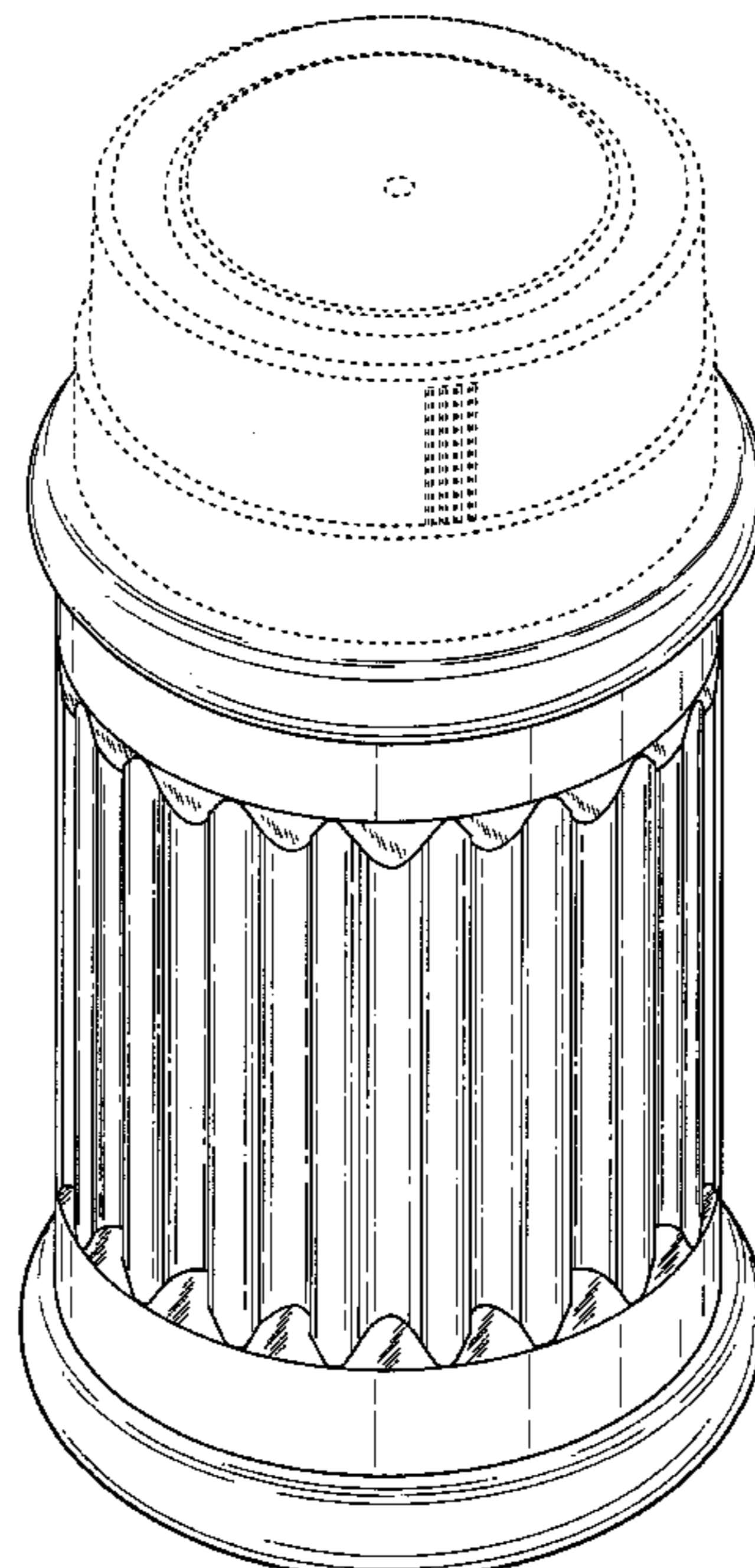
FIG. 2 is a front elevational view thereof, shown at a reduced
scale, the rear elevational view being a mirror image;

FIG. 3 is a right side elevational view thereof, the left side
elevational view being a mirror image; and,

FIG. 4 is a top plan view thereof.

Portions of the container are shown in broken lines for
illustrative purposes only and form no part of the claimed
design. The bottom of the container is not a part of the
claimed design.

1 Claim, 3 Drawing Sheets



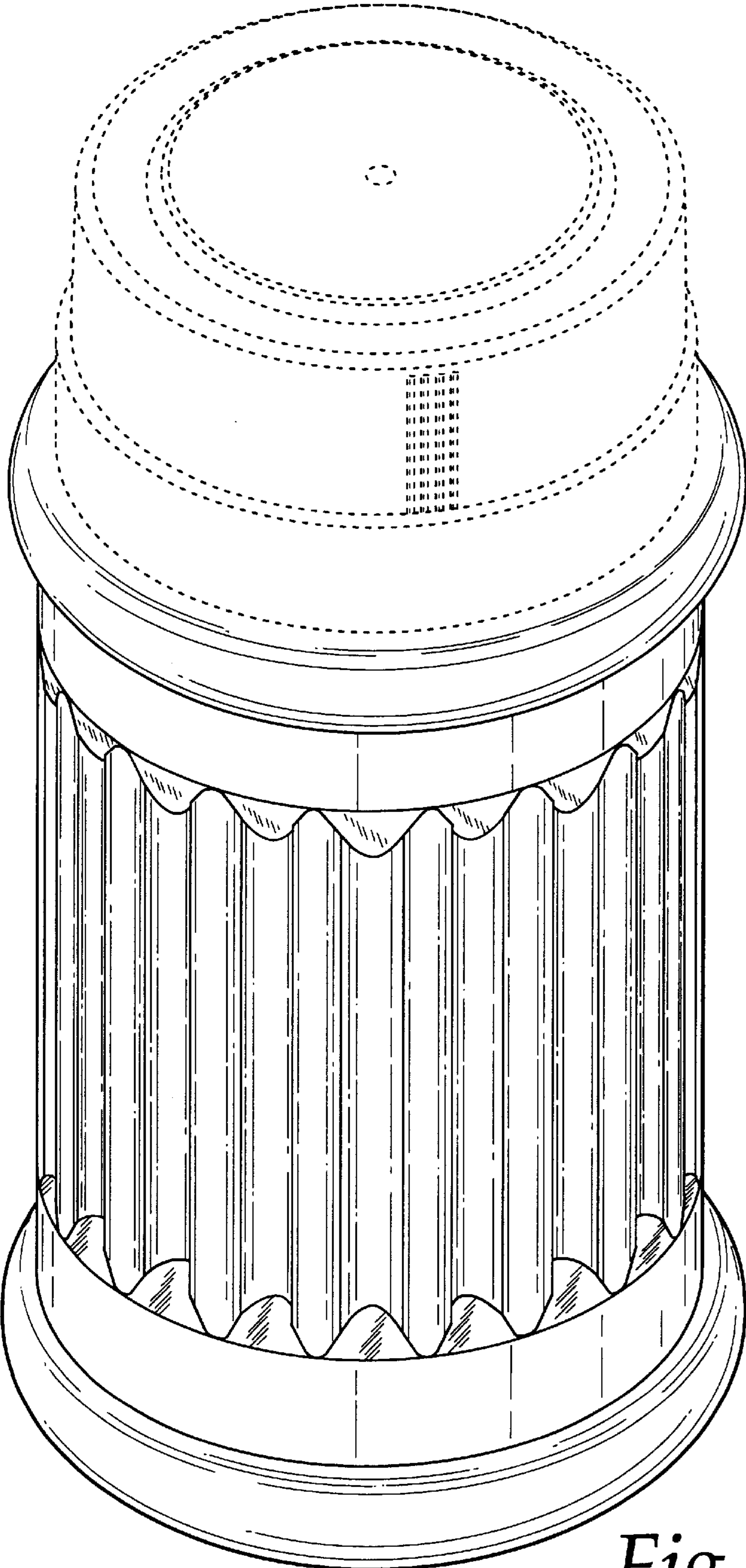


Fig. 1

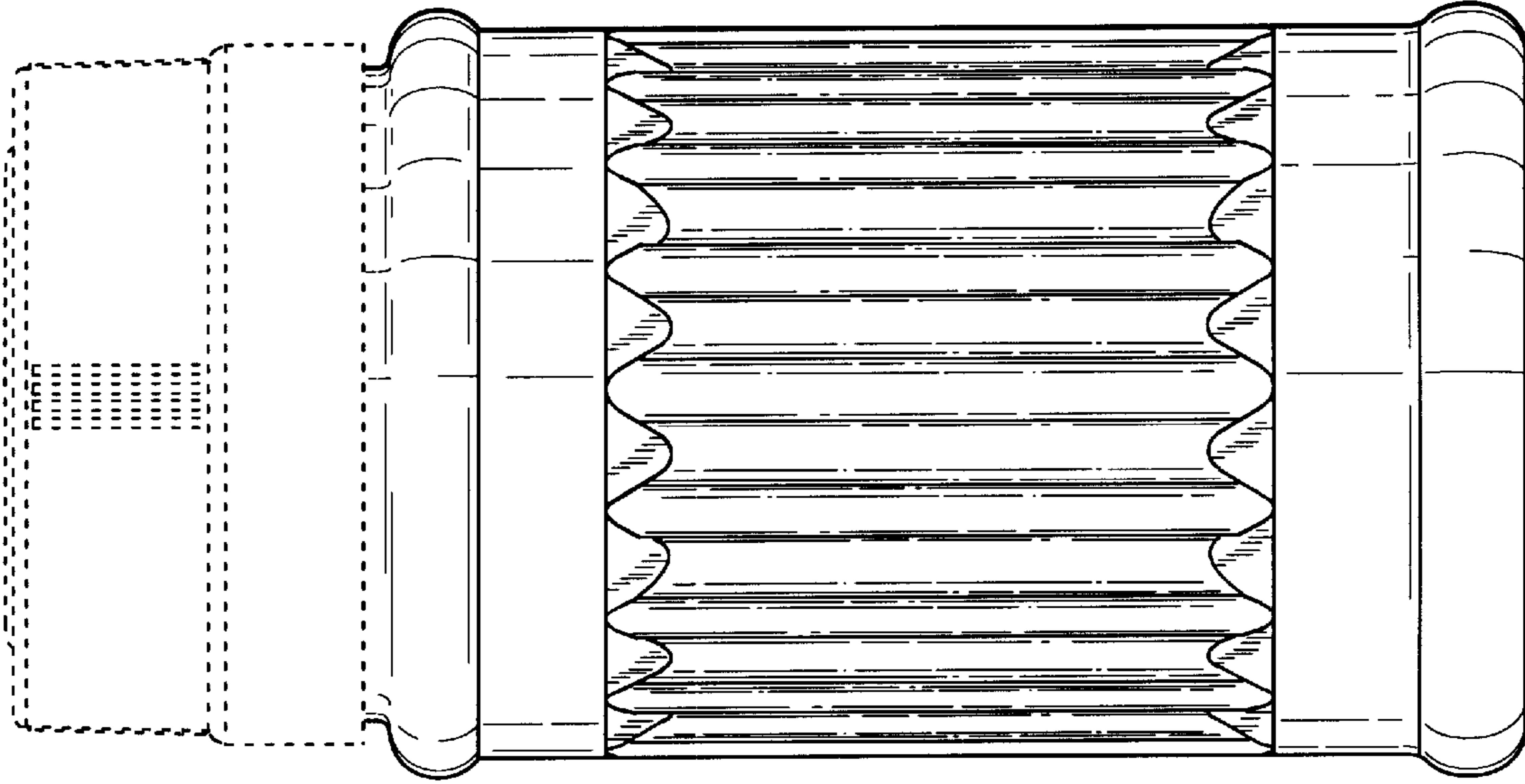


Fig. 3

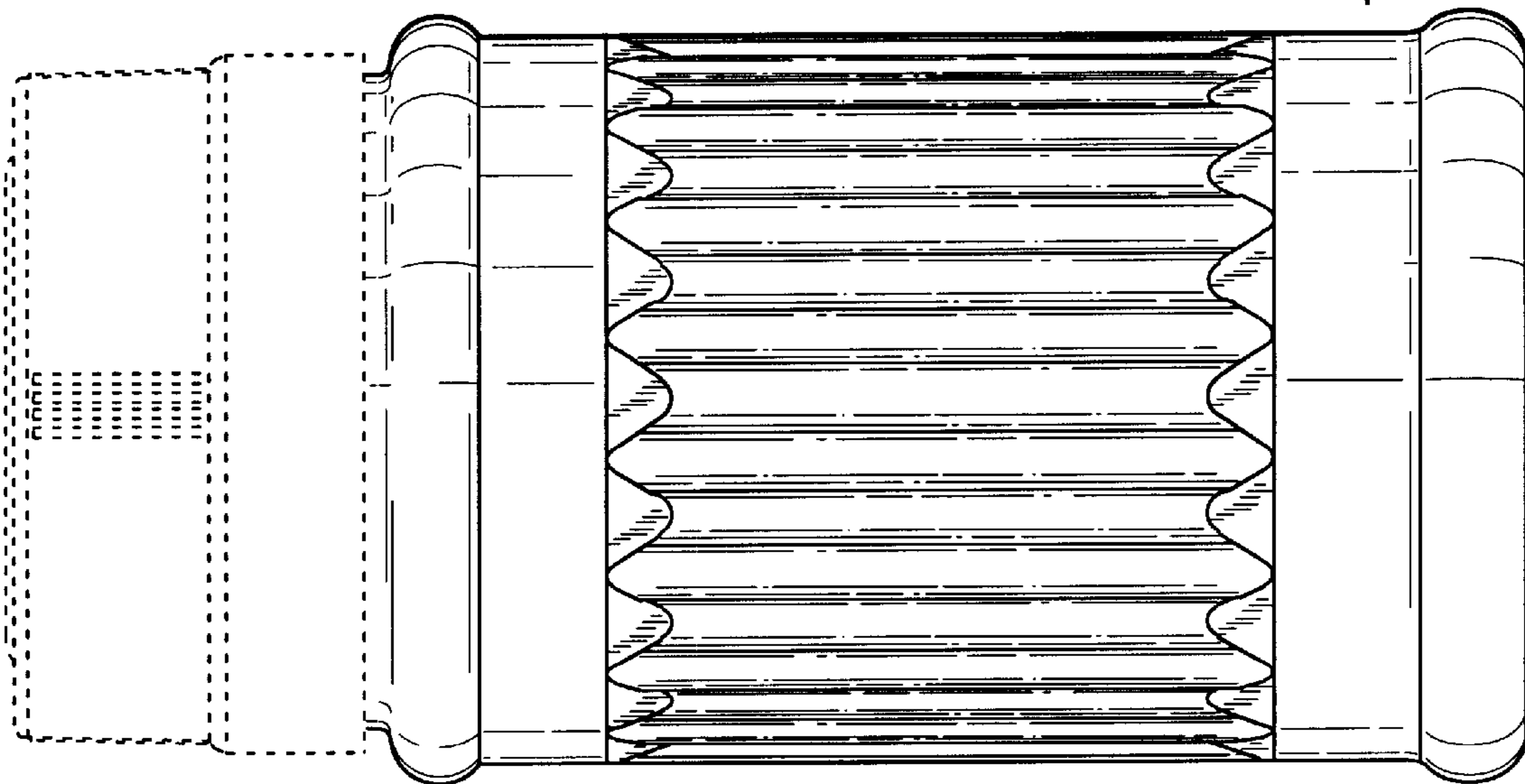


Fig. 2

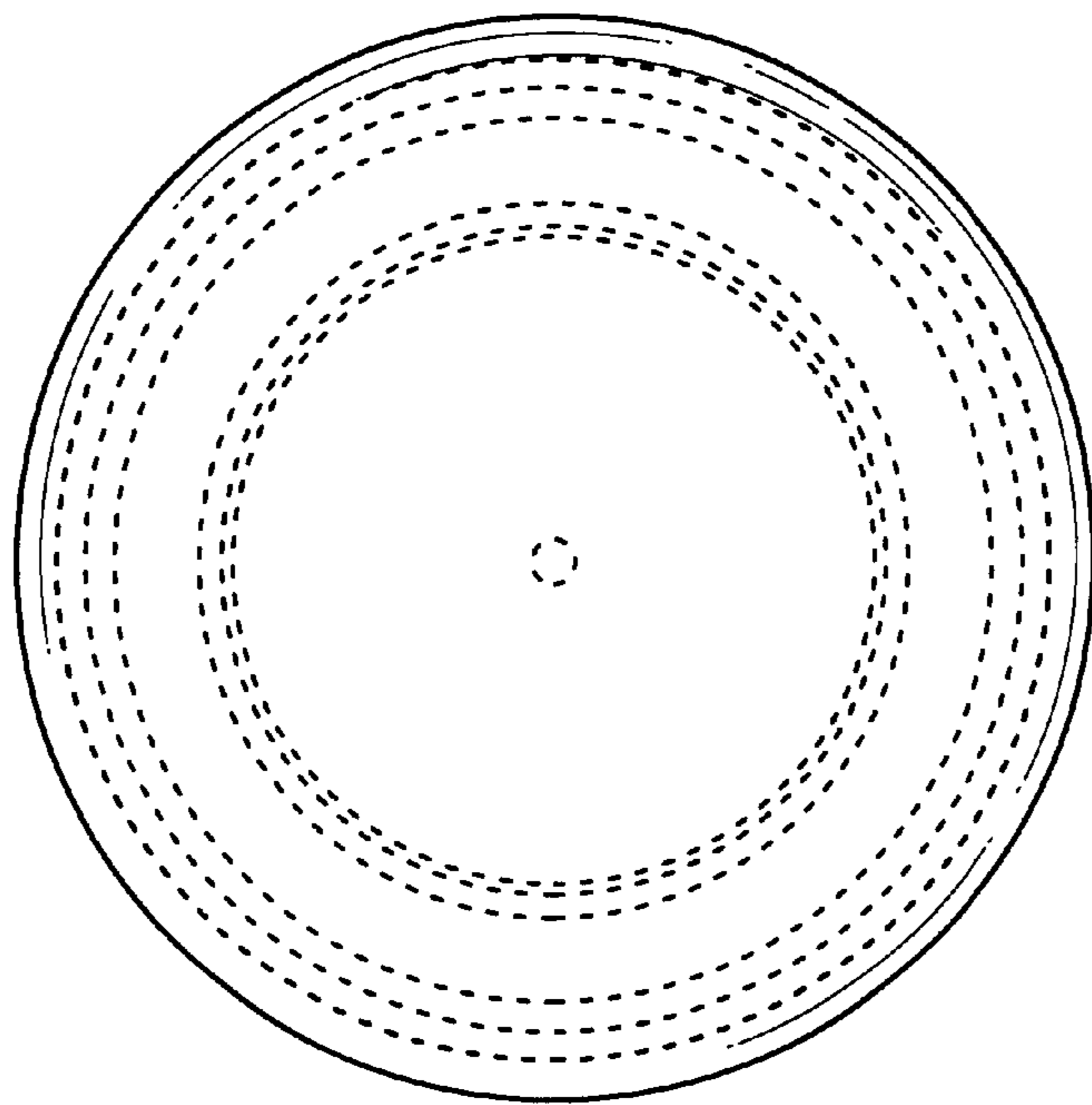


Fig. 4