

US00D509738S

(12) **United States Design Patent** (10) **Patent No.:** **US D509,738 S**
Kovara et al. (45) **Date of Patent:** **** Sep. 20, 2005**

(54) **PORTION OF BOTTLE CAP**
 (75) Inventors: **Terry M. Kovara**, Racine, WI (US);
Allen D. Miller, Racine, WI (US);
Peter M. Neumann, Racine, WI (US);
Michael W. Allen, Glen Allen, VA
 (US); **Paul M. Blankenship**, Glen
 Allen, VA (US)
 (73) Assignee: **S.C. Johnson & Son, Inc.**, Racine, WI
 (US)
 (**) Term: **14 Years**

EP	0184795	B1	5/1990	B65D/55/02
EP	0181115	B1	6/1990	B65D/55/02
EP	0393340	A1	10/1990	B65D/55/02
EP	0164154	B2	4/1993	B65D/55/02
EP	0787660	B1	12/2001	B65D/50/04
EP	0780318	B1	1/2002	B65D/50/04
GB	2108095	A	5/1983	B65D/55/12
WO	WO 83/03810		11/1983	B65D/55/02
WO	WO 89/02858		4/1989	B65D/55/02
WO	WO 90/04546		5/1990	B65D/50/04
WO	WO 95/15285		6/1995	B65D/51/16
WO	WO 96/30275		10/1996	B65D/55/02
WO	WO 98/12123		3/1998	B65D/50/04
WO	WO 98/50283		11/1998	B65D/50/04
WO	WO 99/57033		11/1999	B65D/51/18

(21) Appl. No.: **29/178,787**

(22) Filed: **Mar. 31, 2003**

(51) **LOC (8) Cl.** **09-07**

(52) **U.S. Cl.** **D9/454**

(58) **Field of Search** 215/200, 208,
215/211, 214, 217, 337; D24/197-199;
D9/434, 435, 450, 452, 453, 454, 501,
517

(56) **References Cited**

U.S. PATENT DOCUMENTS

D240,595	S	*	7/1976	Kress	D9/452
4,022,258	A		5/1977	Steidley	141/330
D248,873	S	*	8/1978	Raitto	D9/454
4,401,225	A	*	8/1983	Schwaikert	215/211
4,574,967	A		3/1986	Schuster et al.	215/276
4,577,769	A	*	3/1986	Delia	215/211
4,728,006	A		3/1988	Drobish et al.	222/181
5,100,058	A		3/1992	Wei	239/273
D384,886	S	*	10/1997	Plante	D9/436
6,059,542	A		5/2000	Chou	417/360
6,164,768	A		12/2000	Murphy et al.	347/85
D465,731	S	*	11/2002	Brant et al.	D9/453
D481,801	S	*	11/2003	Whitley	D9/435

FOREIGN PATENT DOCUMENTS

DE	2335880		1/1974		
DE	3216229	C2	6/1983	B65D/41/34
DE	3727965	A1	10/1988	B65D/47/08
EP	0343778	A1	11/1989	B65D/55/02

* cited by examiner

Primary Examiner—Robert M. Spear
Assistant Examiner—Susan Bennett-Hattan

(57) **CLAIM**

The ornamental design for a portion of bottle cap, as shown and described.

DESCRIPTION

In a preferred embodiment, the nature of this product is an axially outer end of a bottle cap useful in connection with a dispenser system which receives bottles to replenish the dispenser system.

FIG. 1 is a top, right, front perspective view of a portion of bottle cap embodying our new design;

FIG. 2 is a top plan view thereof;

FIG. 3 is a front elevational view thereof, the left and right side elevational views and the rear elevational view being identical to the front side shown;

FIG. 4 is a top, right, front perspective view of a second embodiment;

FIG. 5 is a top plan view thereof; and,

FIG. 6 is a front elevational view thereof, the left and right side elevational views and the rear elevational view being identical to the front side shown.

The broken line representations of holes in FIGS. 1, 2, 3, and 4, of ridges in FIGS. 1-3, and of side structure in FIGS. 1-6, are for the purpose of illustration only, and form no part of the claimed design.

1 Claim, 2 Drawing Sheets

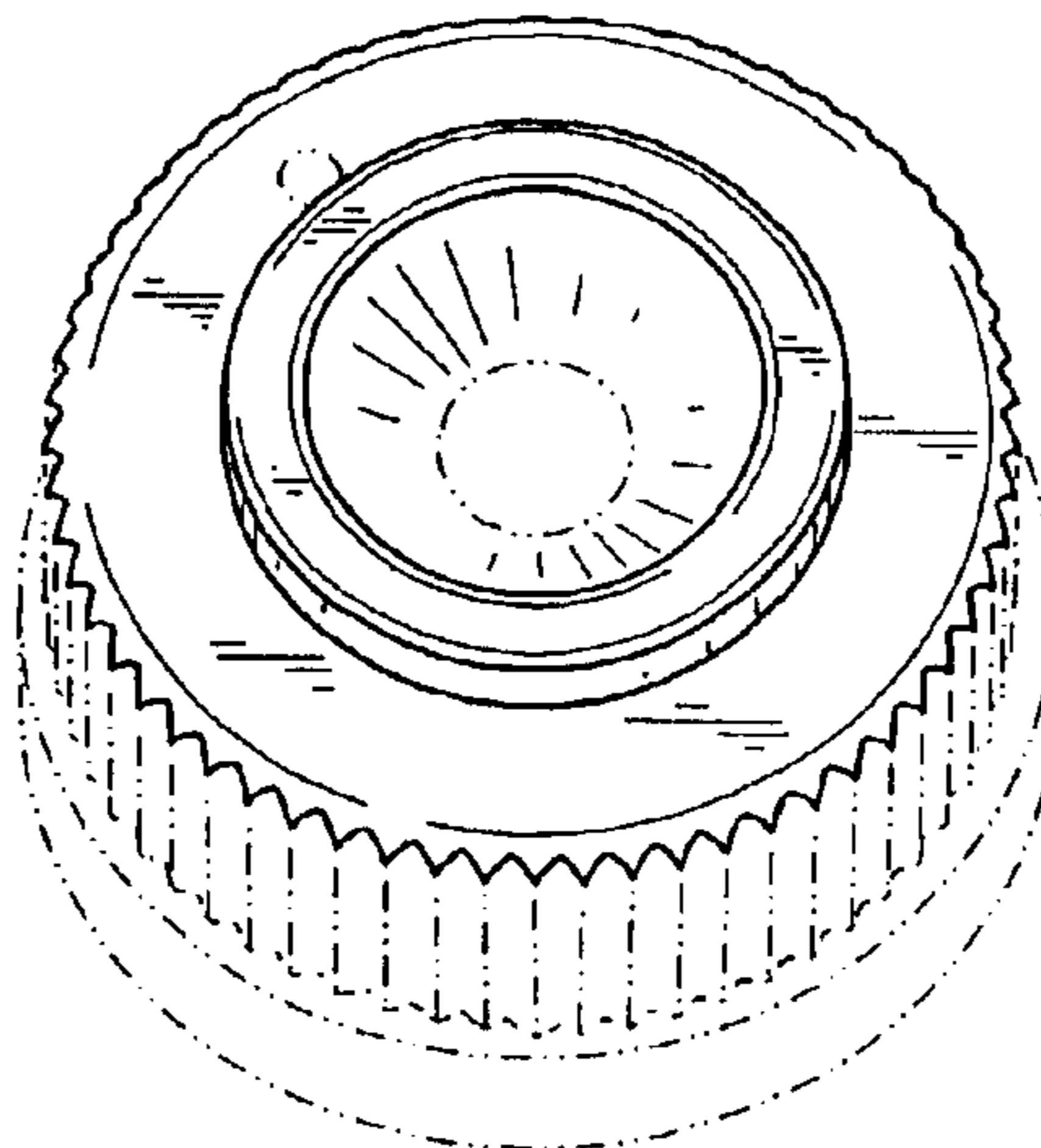


FIG. 1

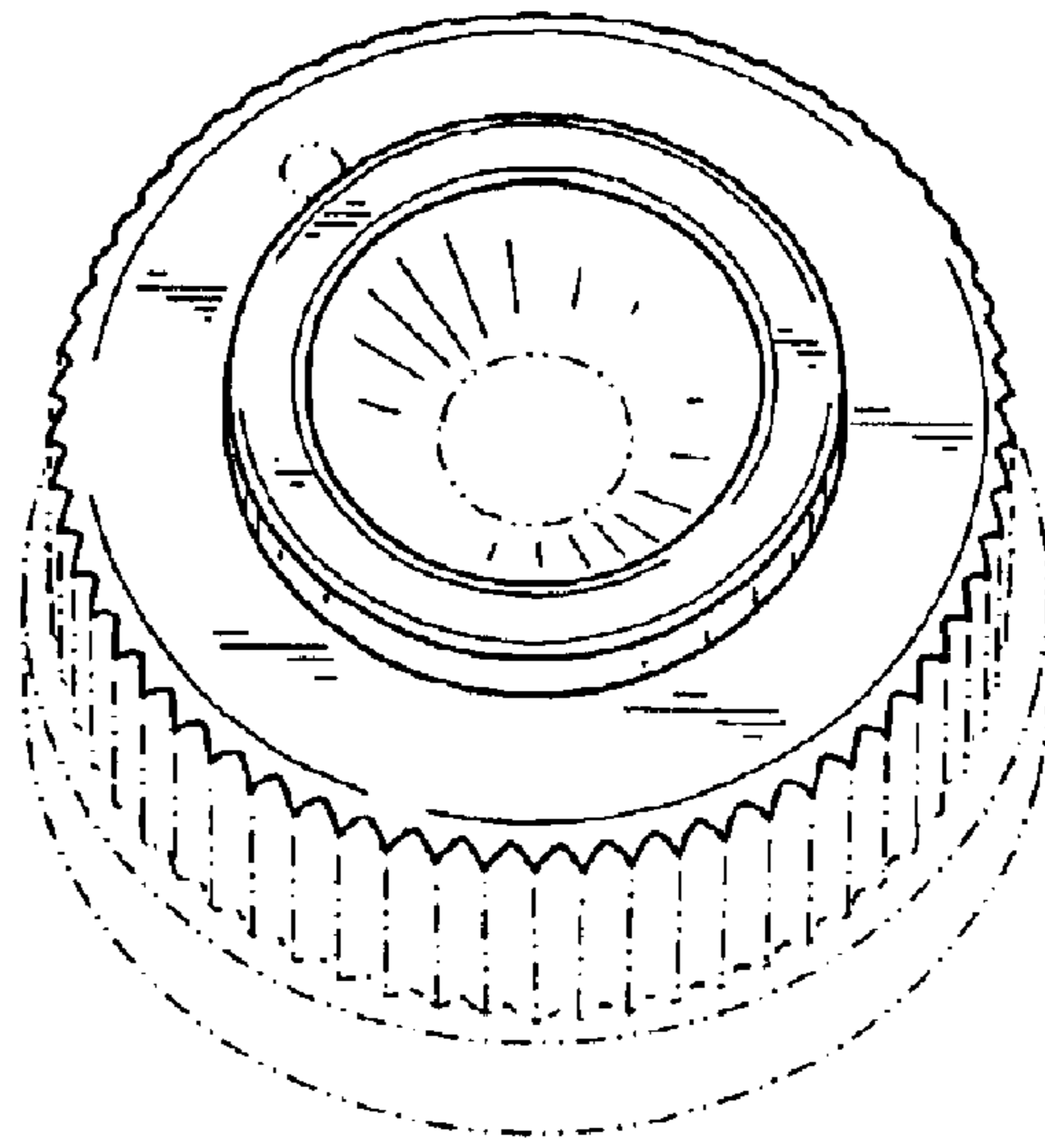


FIG. 2

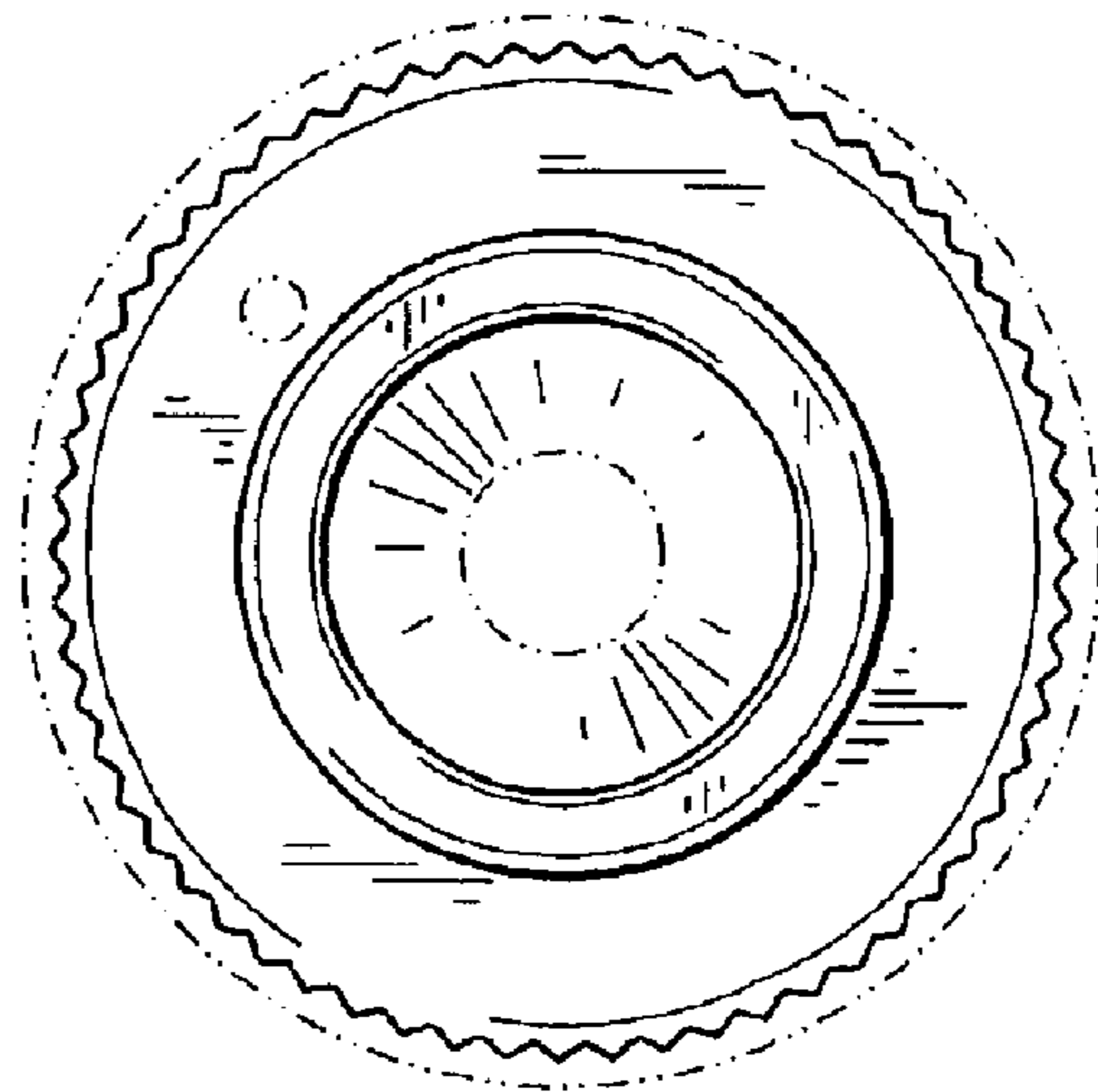


FIG. 3

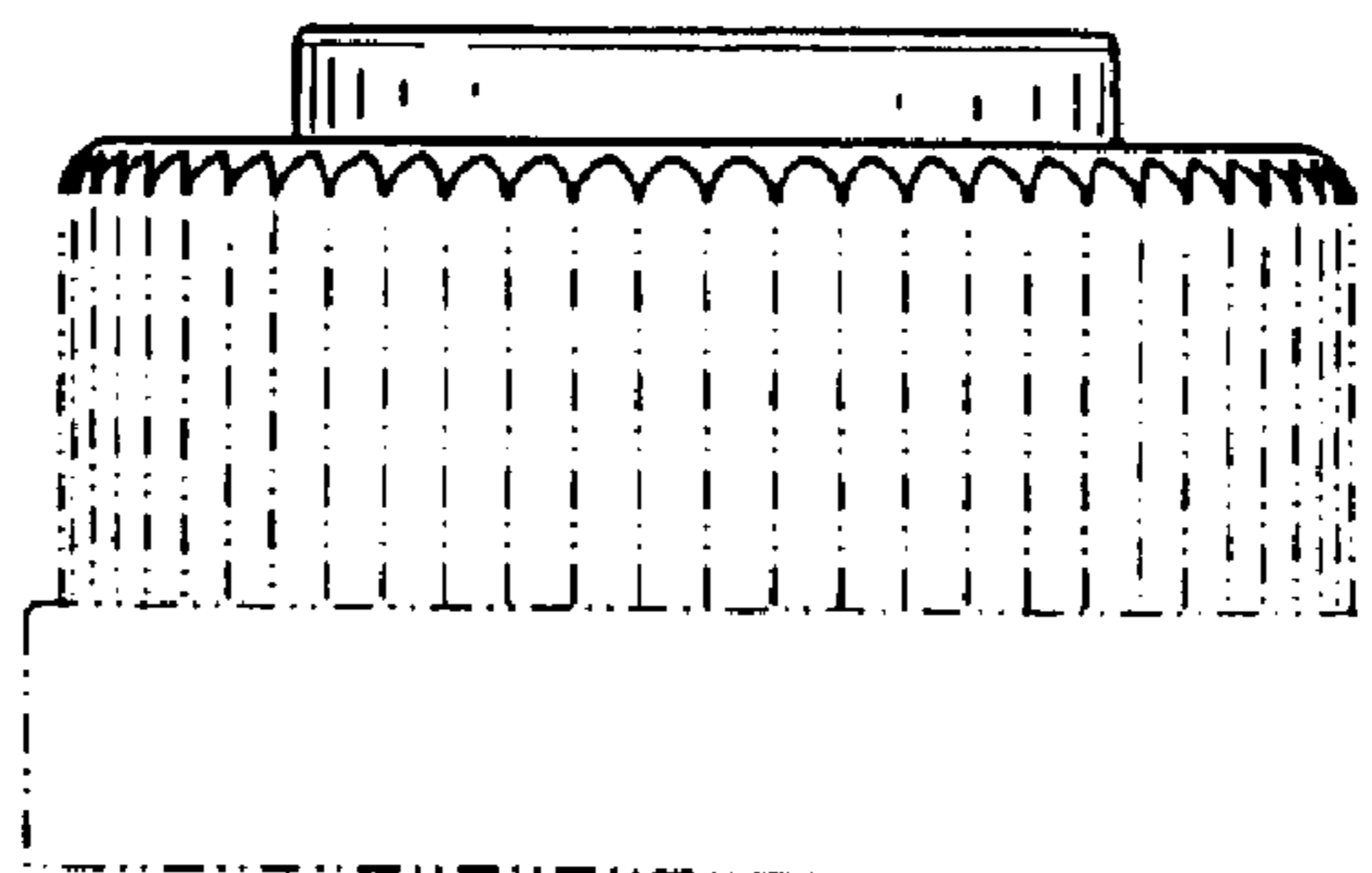


FIG. 4

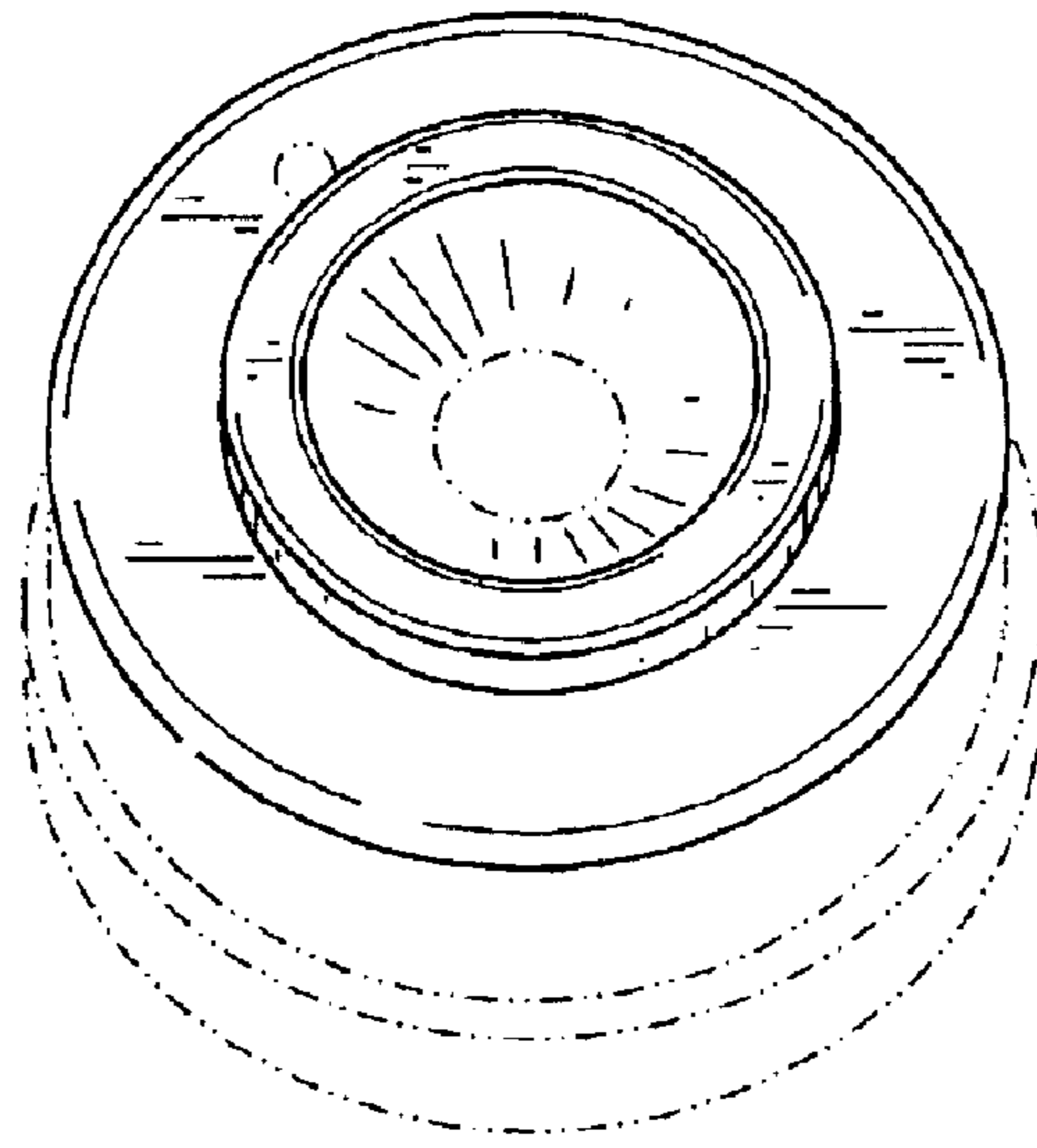


FIG. 5

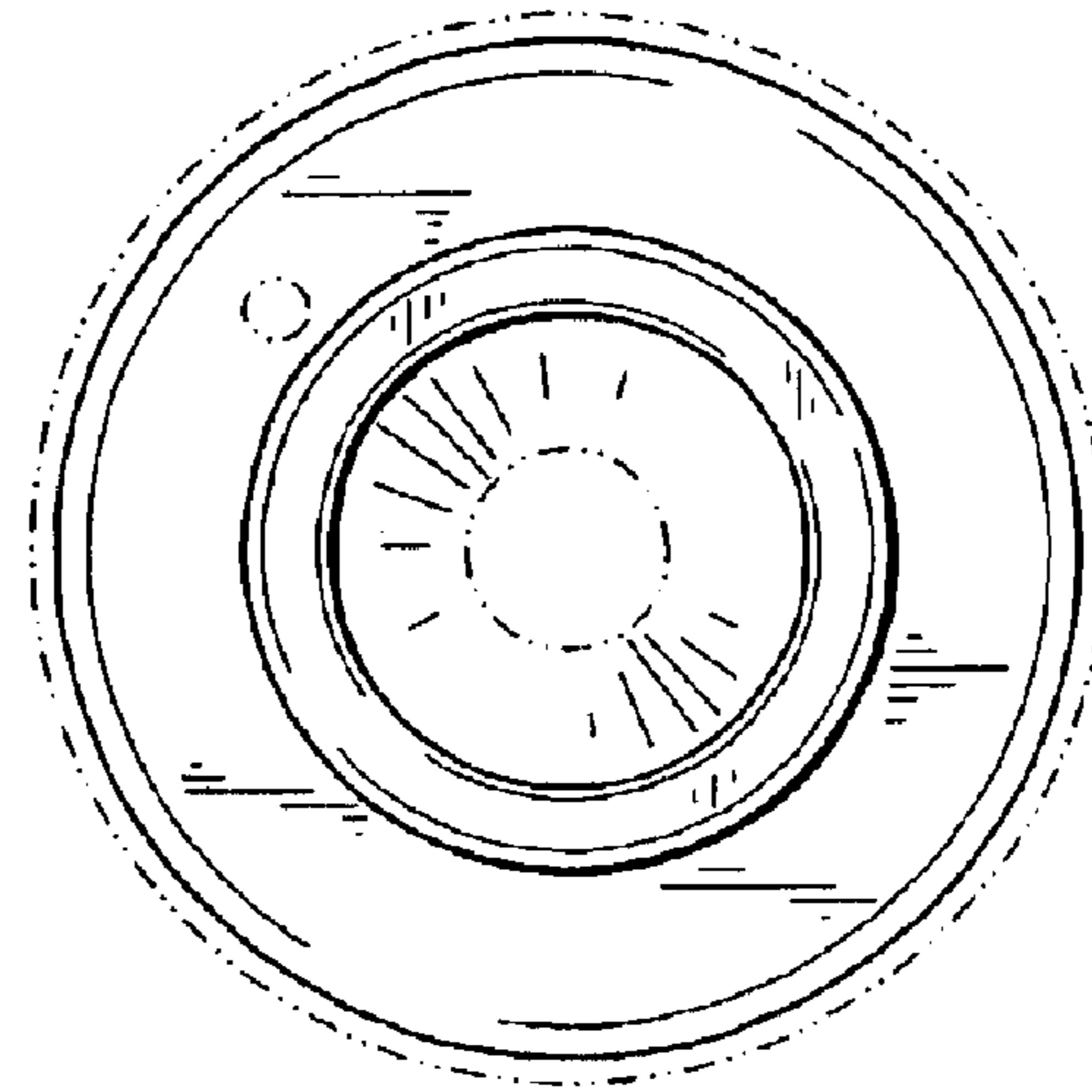


FIG. 6

