

US00D509737S

(12) **United States Design Patent**
Hierzer et al.

(10) **Patent No.: US D509,737 S**

(45) **Date of Patent: ** Sep. 20, 2005**

(54) **CLOSURE**

FOREIGN PATENT DOCUMENTS

(75) Inventors: **Valentin Hierzer**, Arlington Heights, IL (US); **Rick Gaiser**, Burlington, WI (US)

WO WO 99/29585 6/1999

* cited by examiner

(73) Assignee: **Crown Packaging Technology, Inc.**, Alsip, IL (US)

Primary Examiner—Robert M. Spear

Assistant Examiner—Susan Bennett Hattan

(74) *Attorney, Agent, or Firm*—Knoble Yoshida & Dunleavy, LLC

(**) Term: **14 Years**

(57) **CLAIM**

(21) Appl. No.: **29/208,058**

The ornamental design for a “closure,” as shown and described.

(22) Filed: **Jun. 23, 2004**

DESCRIPTION

(51) **LOC (8) Cl.** **09-07**

(52) **U.S. Cl.** **D9/447**

(58) **Field of Search** D9/759, 751, 741, D9/739, 737, 515, 499, 454, 453, 434, 446–450, 439–440, 435, 436; D7/398, 392; 383/80; 222/575, 566, 556, 553, 544–546, 491; 215/237

FIG. 1 is a perspective view showing our new design;

FIG. 2 is a first side elevational view;

FIG. 3 is a second side elevational view;

FIG. 4 is a top plan view;

FIG. 5 is a bottom plan view;

FIG. 6 is a front elevational view showing a portion of the design; and,

FIG. 7 is a rear elevational view showing a portion of the design.

(56) **References Cited**

U.S. PATENT DOCUMENTS

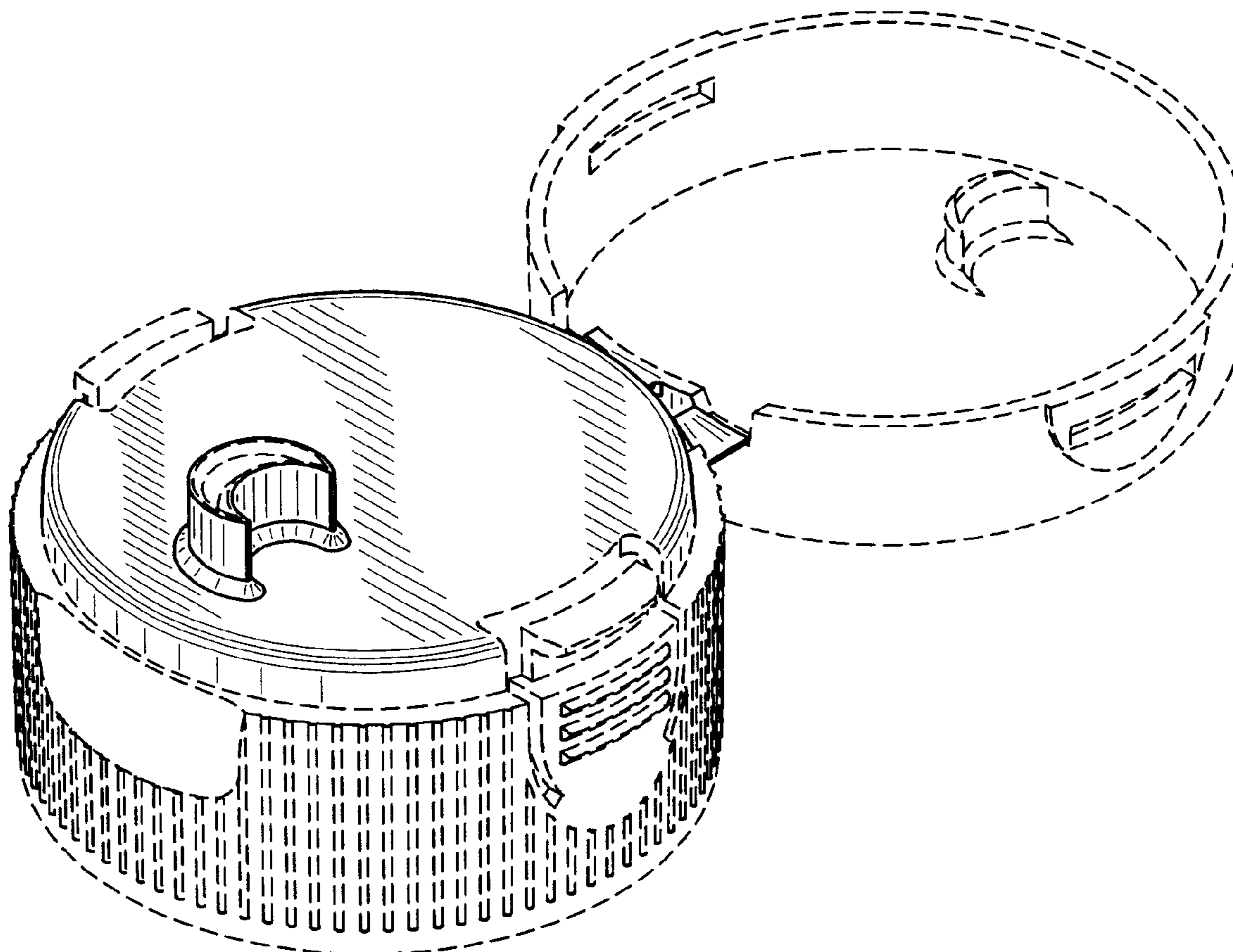
5,579,957 A 12/1996 Gentile et al.

5,947,061 A * 9/1999 Markham et al. 119/710

D494,064 S * 8/2004 Hook D9/445

The broken lines in the drawings depict probable environment only and form no part of the claimed design.

1 Claim, 6 Drawing Sheets



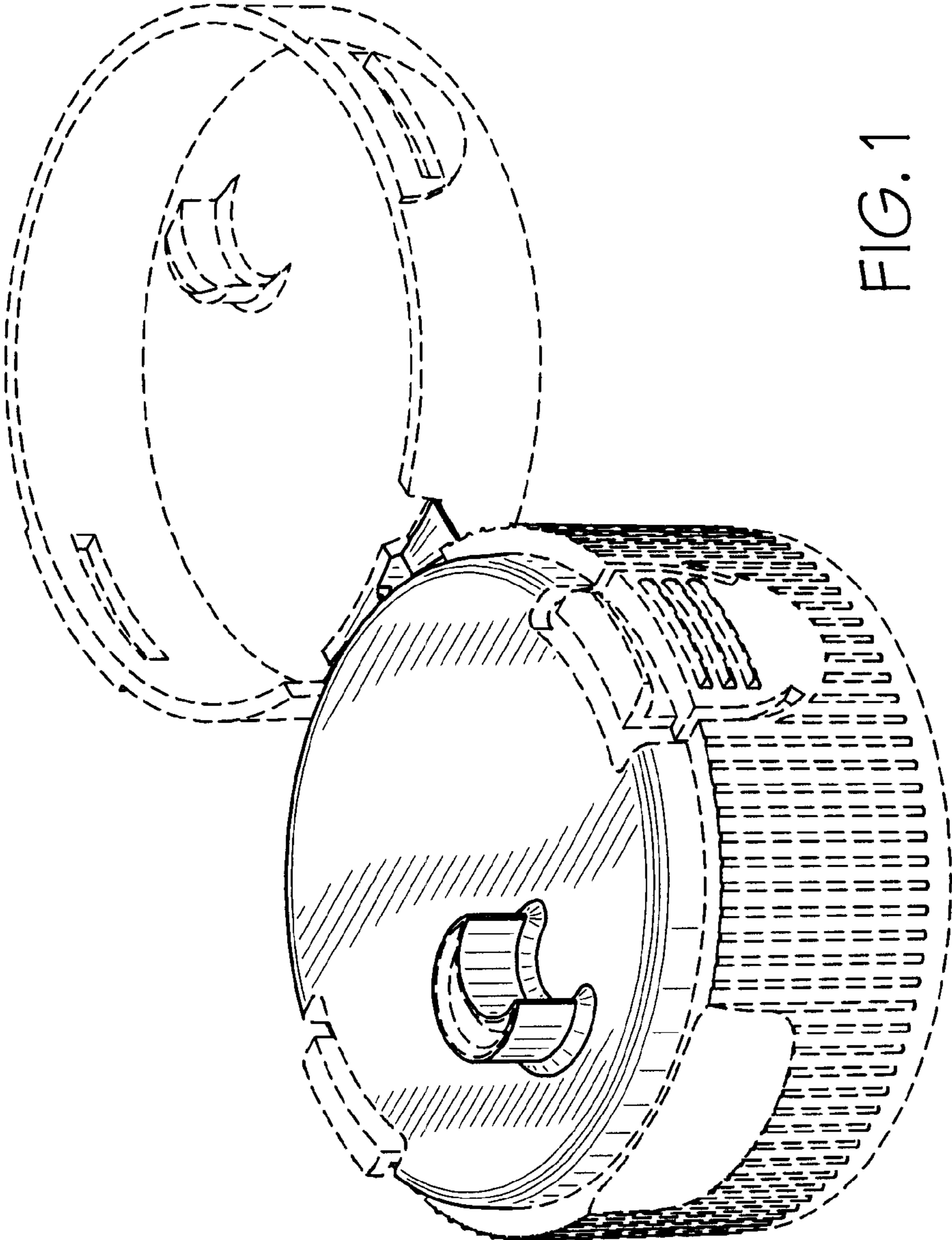


FIG. 1

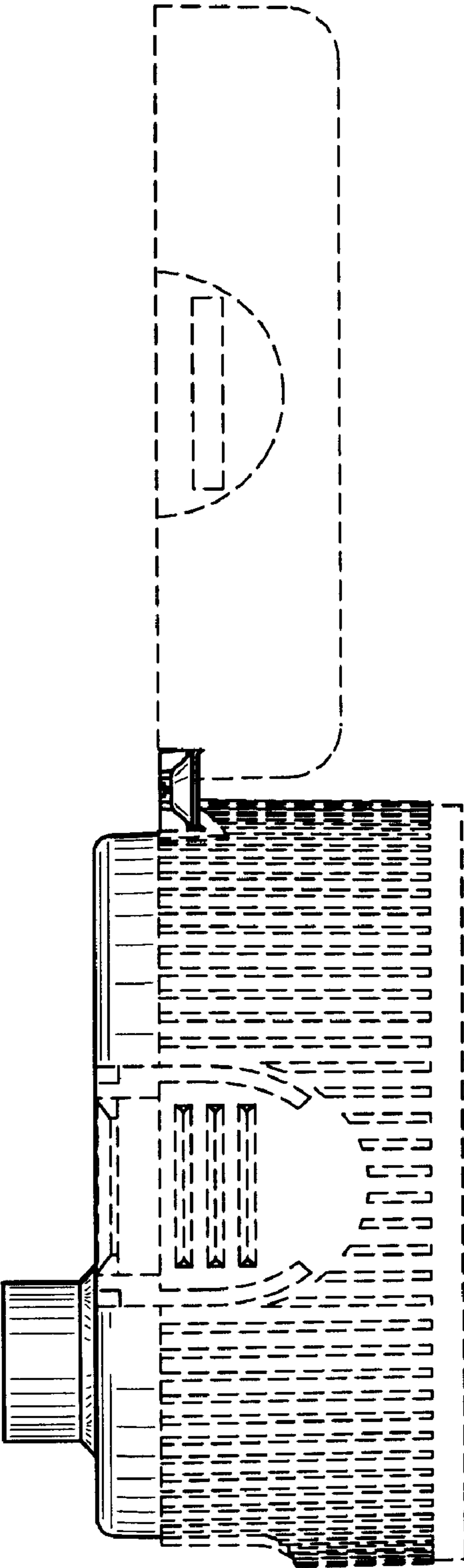


FIG. 2

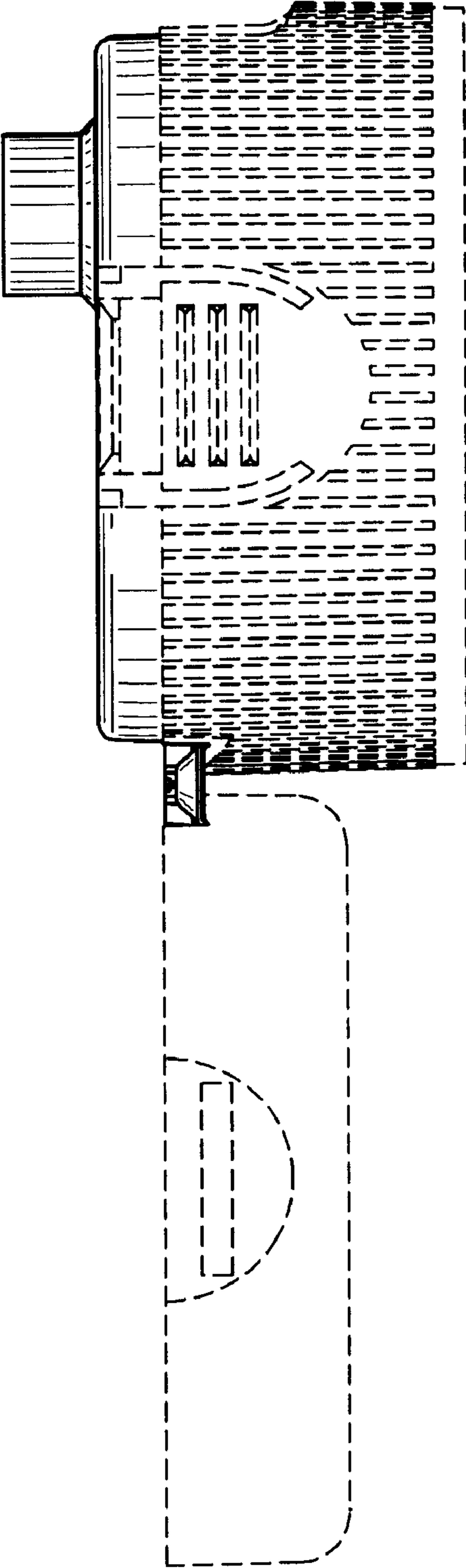


FIG. 3

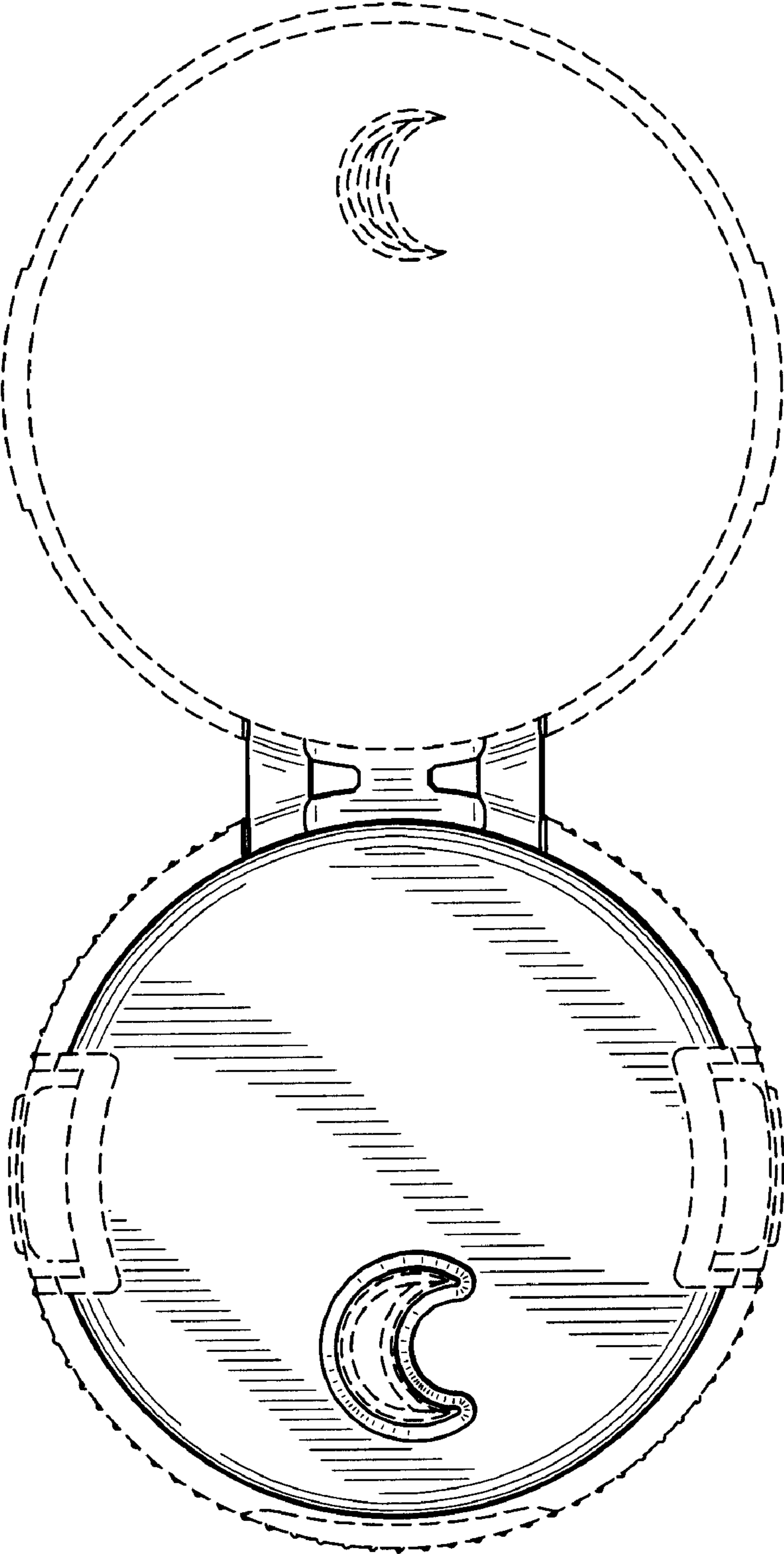


FIG. 4

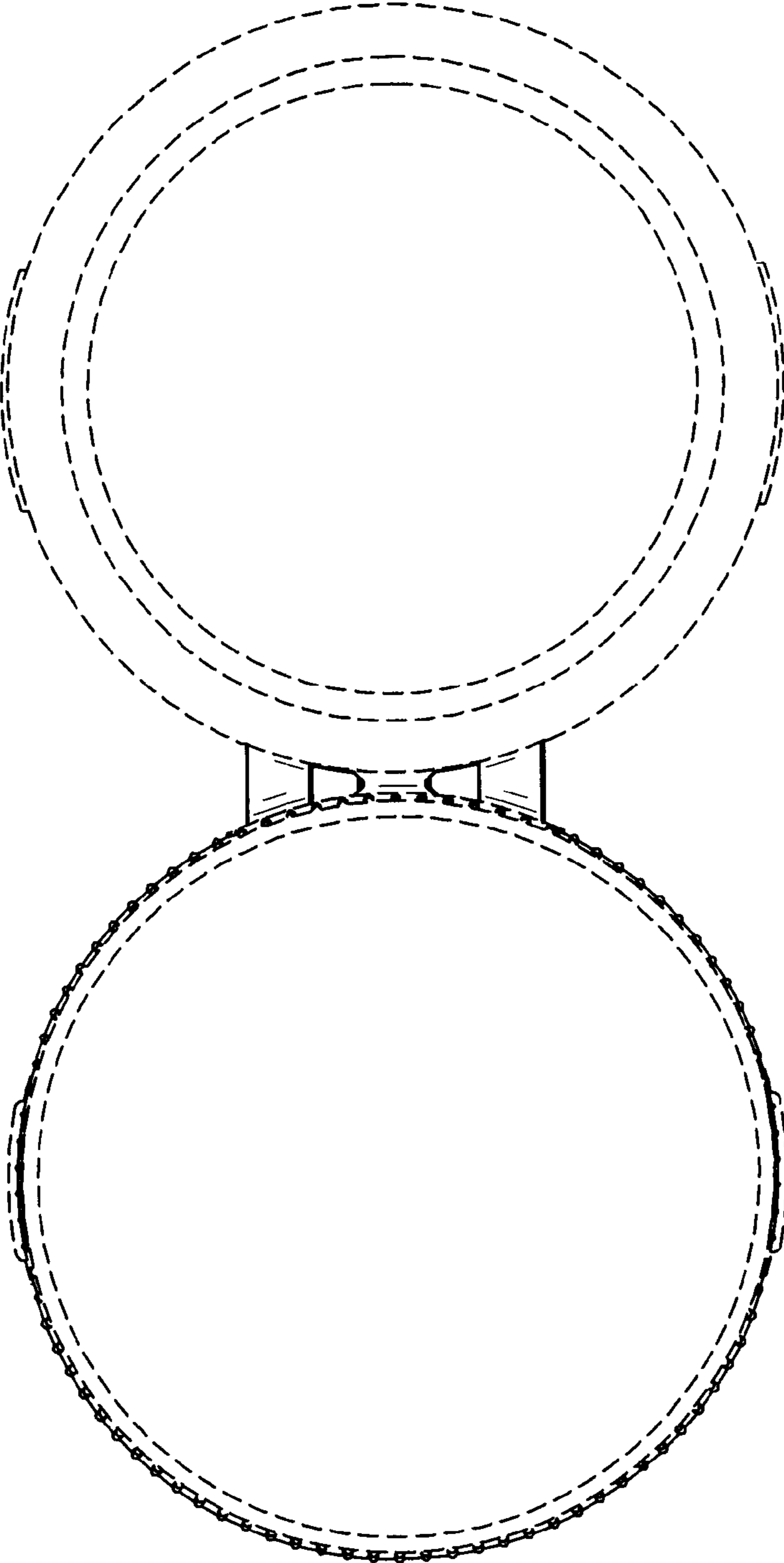


FIG. 5

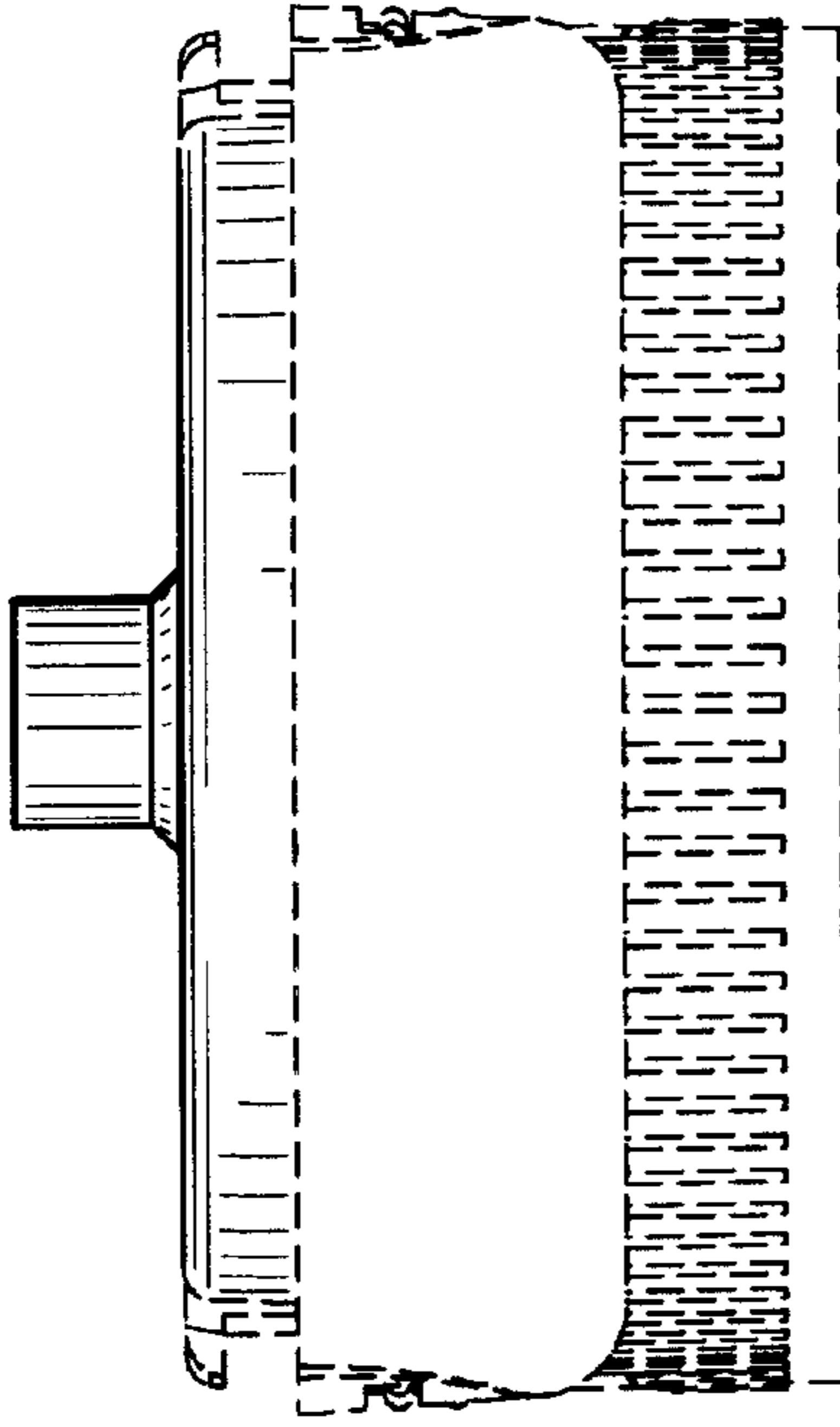


FIG. 6

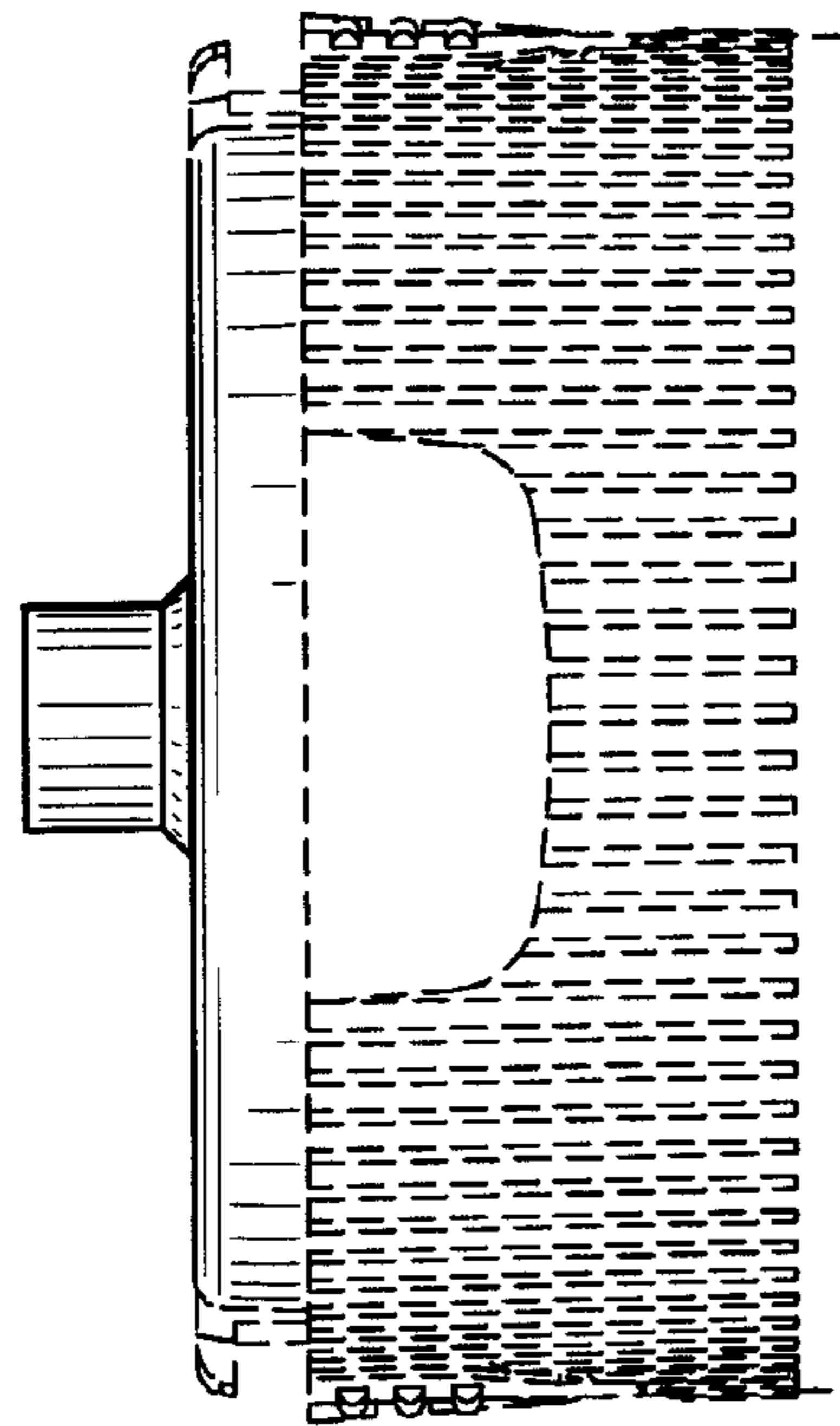


FIG. 7