



US00D509732S

(12) **United States Design Patent** (10) **Patent No.:** **US D509,732 S**
Staples (45) **Date of Patent:** **** Sep. 20, 2005**

(54) **MINT TIN**

(76) **Inventor:** **Robin Staples**, 16731 Mount Forest Blvd., Monroe, WA (US) 98272-9167

(**) **Term:** **14 Years**

(21) **Appl. No.:** **29/185,787**

(22) **Filed:** **Jul. 1, 2003**
 (Under 37 CFR 1.47)

(51) **LOC (8) Cl.** **09-07**

(52) **U.S. Cl.** **D9/423; D9/420; D9/422**

(58) **Field of Search** D9/420-426, 432, D9/414, 509, 516, 517; D6/515, 517; D3/201, 294; 206/440, 441, 528; D7/590, 601; 220/549, 550, 530, 534, 527, 812, 796; 229/122.2, 160.1

5,353,956 A 10/1994 Wilson
 5,370,219 A * 12/1994 Violett, Jr. 206/38
 D364,344 S 11/1995 Shaw
 D366,743 S 1/1996 Davenport
 D374,142 S 10/1996 Carlson
 5,630,508 A 5/1997 Petit
 5,636,732 A * 6/1997 Gilels et al. 206/37
 D386,001 S 11/1997 Saffran
 D388,578 S 12/1997 Arbak et al.
 D390,459 S 2/1998 King
 5,823,331 A 10/1998 Manservigi et al.
 D401,708 S 11/1998 Arbak et al.
 D404,201 S 1/1999 Wennerstrom
 D407,973 S 4/1999 Miller et al.
 D412,279 S 7/1999 Brice
 D413,419 S 8/1999 Arbak et al.
 D434,979 S * 12/2000 Liu D9/415
 D449,782 S 10/2001 Diaz
 D471,804 S 3/2003 Staples
 D473,461 S * 4/2003 Joubert D9/423
 6,776,288 B2 * 8/2004 Kopecky 206/538

(56) **References Cited**

U.S. PATENT DOCUMENTS

969,329 A 9/1910 Blake
 1,598,441 A * 8/1926 Haxton 206/307
 2,988,209 A 6/1961 Parrilla
 3,207,416 A * 9/1965 Koltz et al. 229/225
 D203,137 S 12/1965 Braun
 3,387,736 A 6/1968 Williamson
 3,872,996 A * 3/1975 Dogliotti 220/254.7
 3,979,047 A 9/1976 Focke et al.
 D259,396 S 6/1981 Shiffman
 4,538,731 A 9/1985 Cillario
 D298,515 S 11/1988 Pennell
 4,892,247 A 1/1990 Dirksing et al.
 4,947,994 A 8/1990 Newsome
 4,993,589 A 2/1991 McLaughlin
 D315,638 S 3/1991 Pennell
 D323,292 S 1/1992 Jones
 D324,964 S 3/1992 Ryaa
 5,139,165 A 8/1992 Hara
 D332,849 S 1/1993 Hines
 D339,438 S * 9/1993 Moran D34/7
 D341,315 S 11/1993 Seymour
 D347,732 S 6/1994 Wentz

* cited by examiner

Primary Examiner—Prabhakar Deshmukh
 (74) *Attorney, Agent, or Firm*—Christensen O'Connor Johnson Kindness PLLC

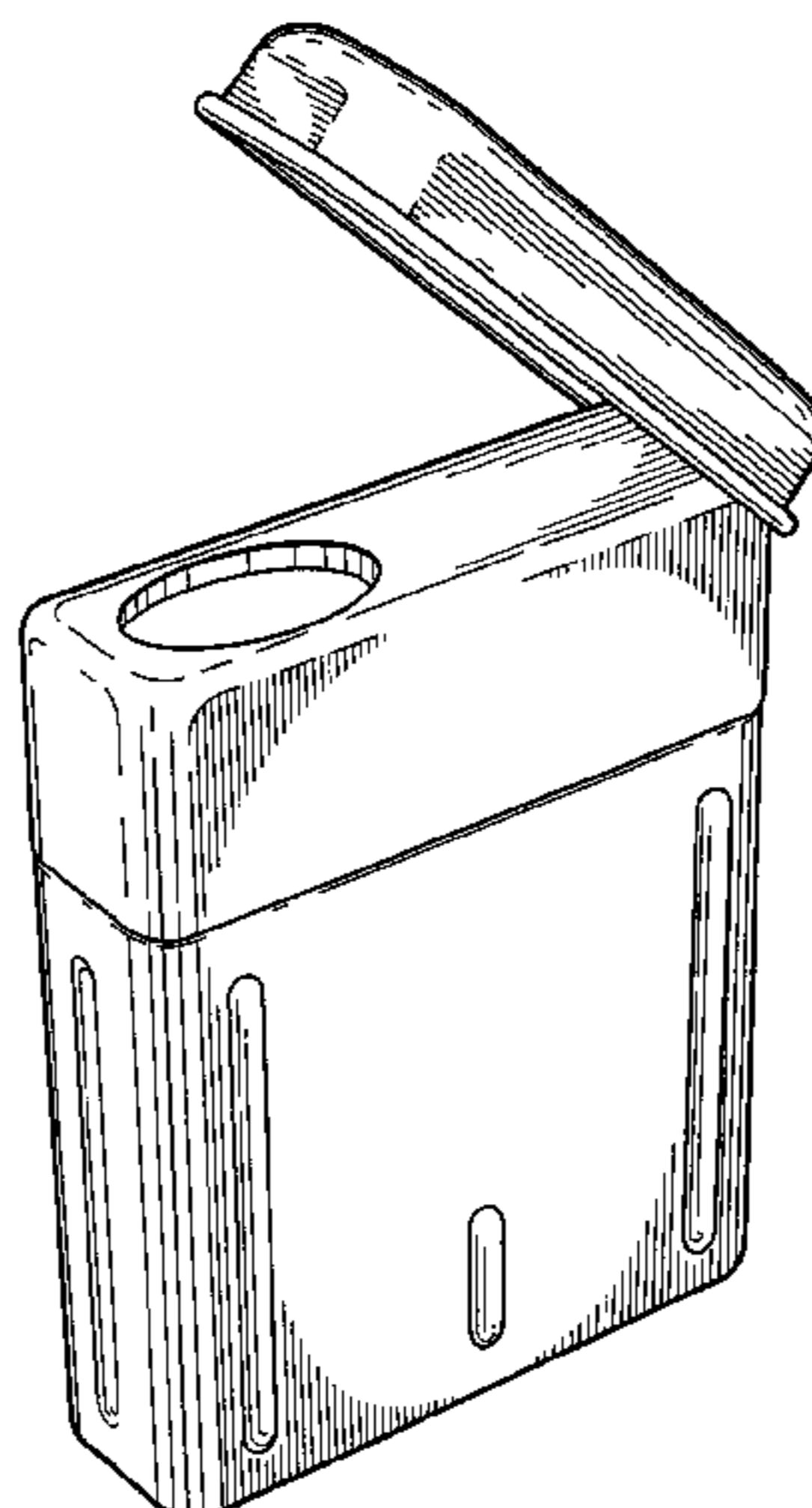
(57) **CLAIM**

I claim the ornamental design for a mint tin, as shown and described.

DESCRIPTION

FIG. 1 is a front perspective view of my new mint tin, with the hinged cover shown in a first closed position;
 FIG. 2 is a front perspective view thereof, with the cover shown in a second, partially open position;
 FIG. 3 is a side elevational view of one side thereof;
 FIG. 4 is a side elevational view of the opposite side thereof;
 FIG. 5 is a front elevational view thereof;
 FIG. 6 is a rear elevational view thereof;
 FIG. 7 is a bottom plan view thereof; and,
 FIG. 8 is a top plan view thereof.

1 Claim, 2 Drawing Sheets



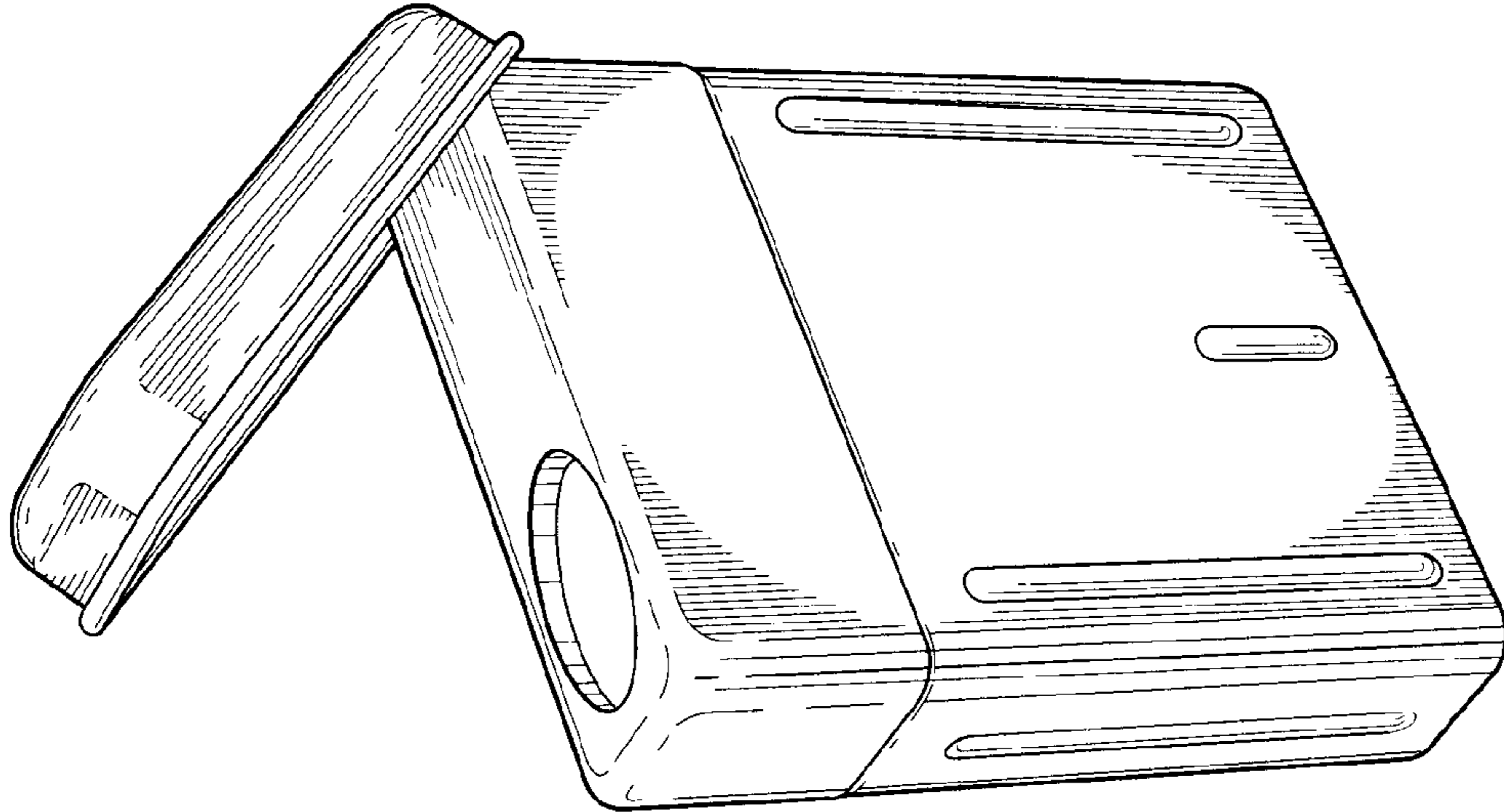


Fig. 2.

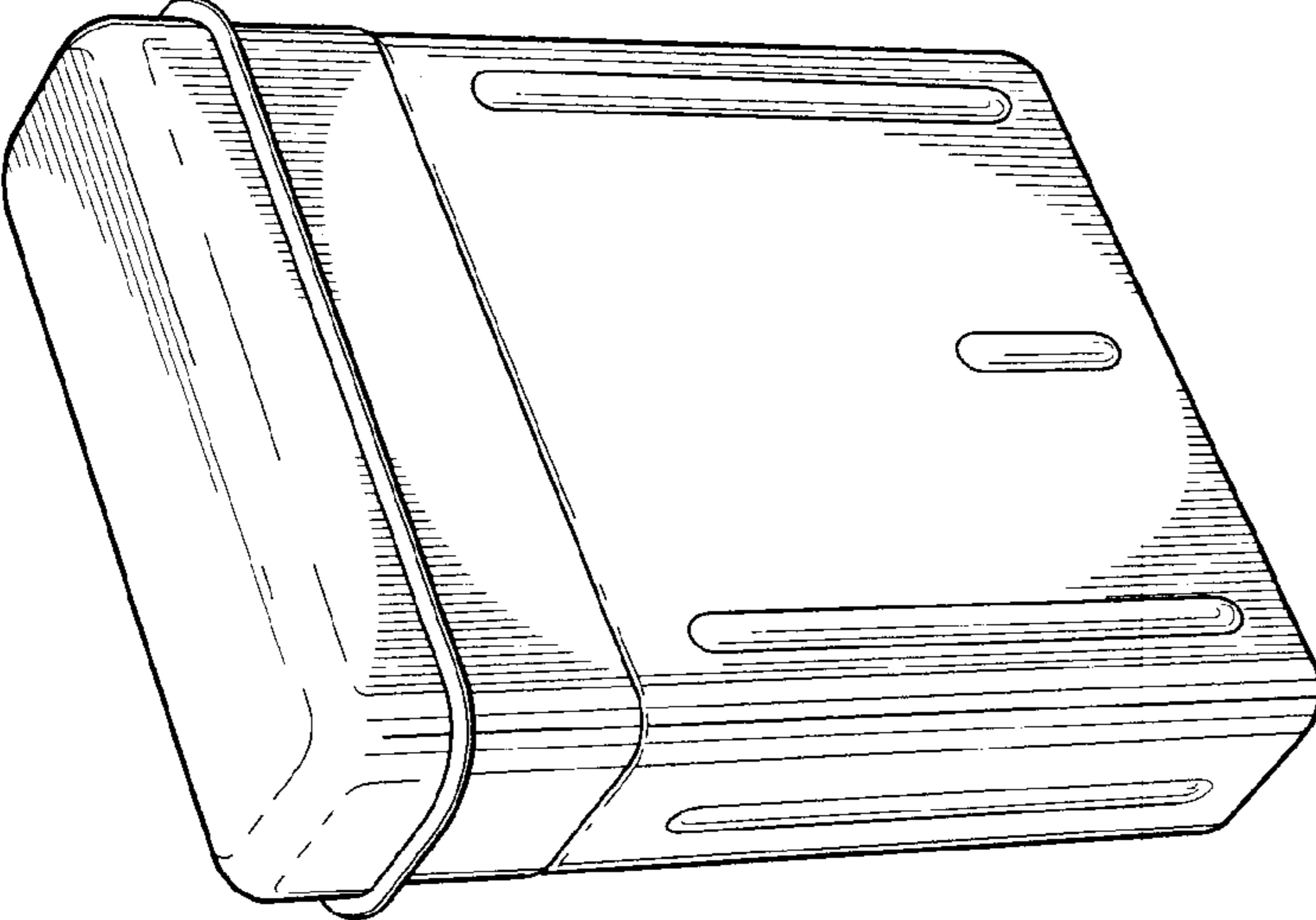


Fig. 1.

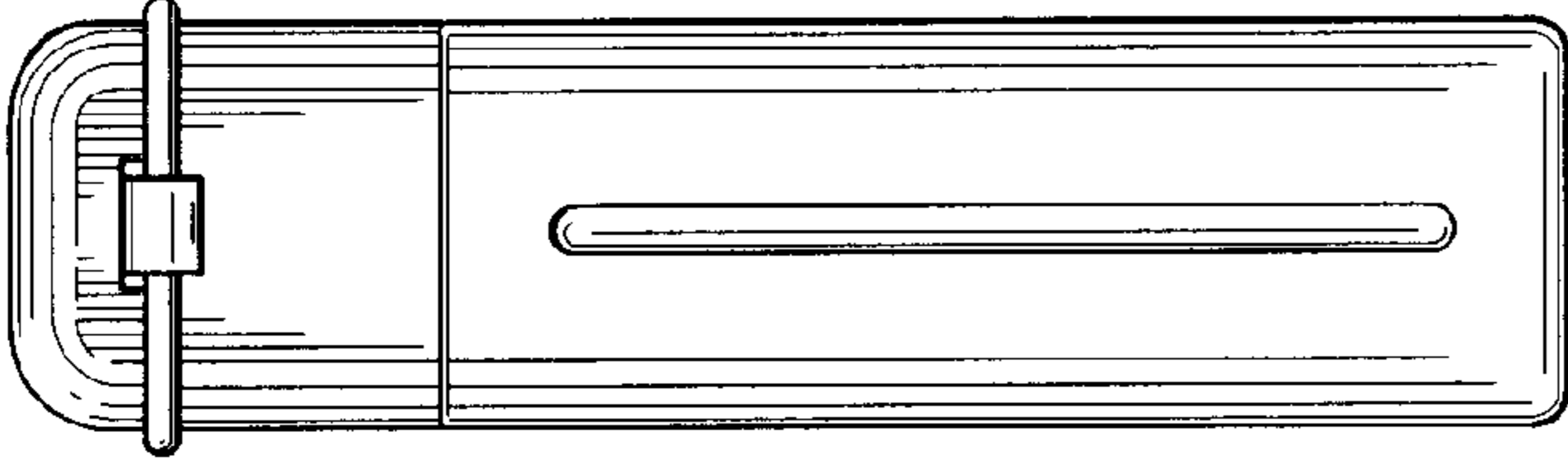


Fig. 6.

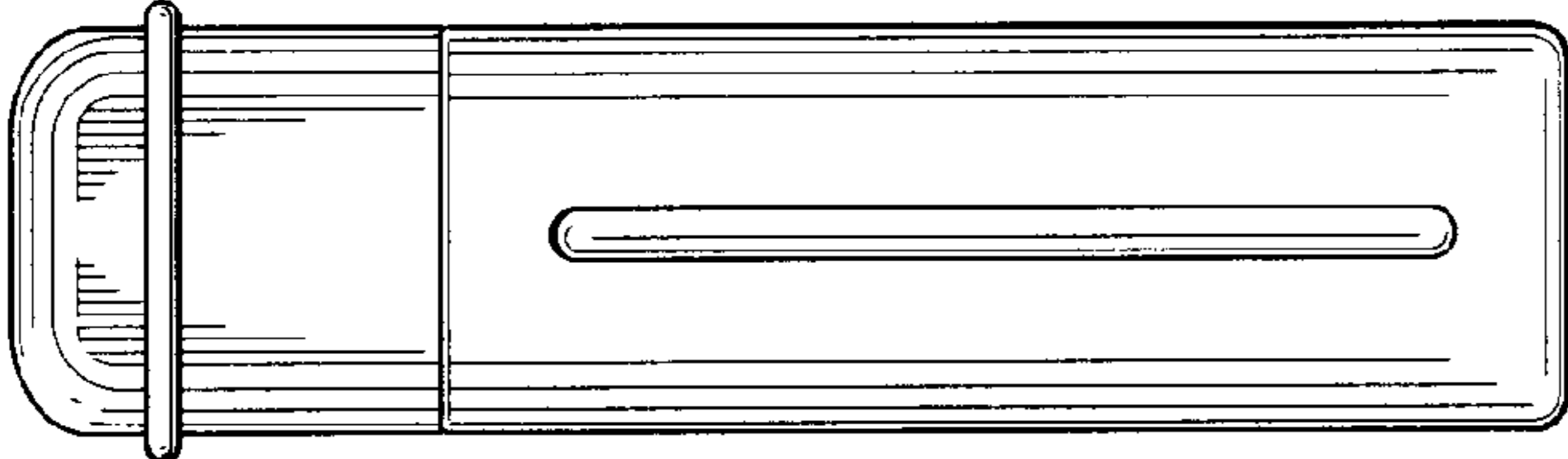


Fig. 5.

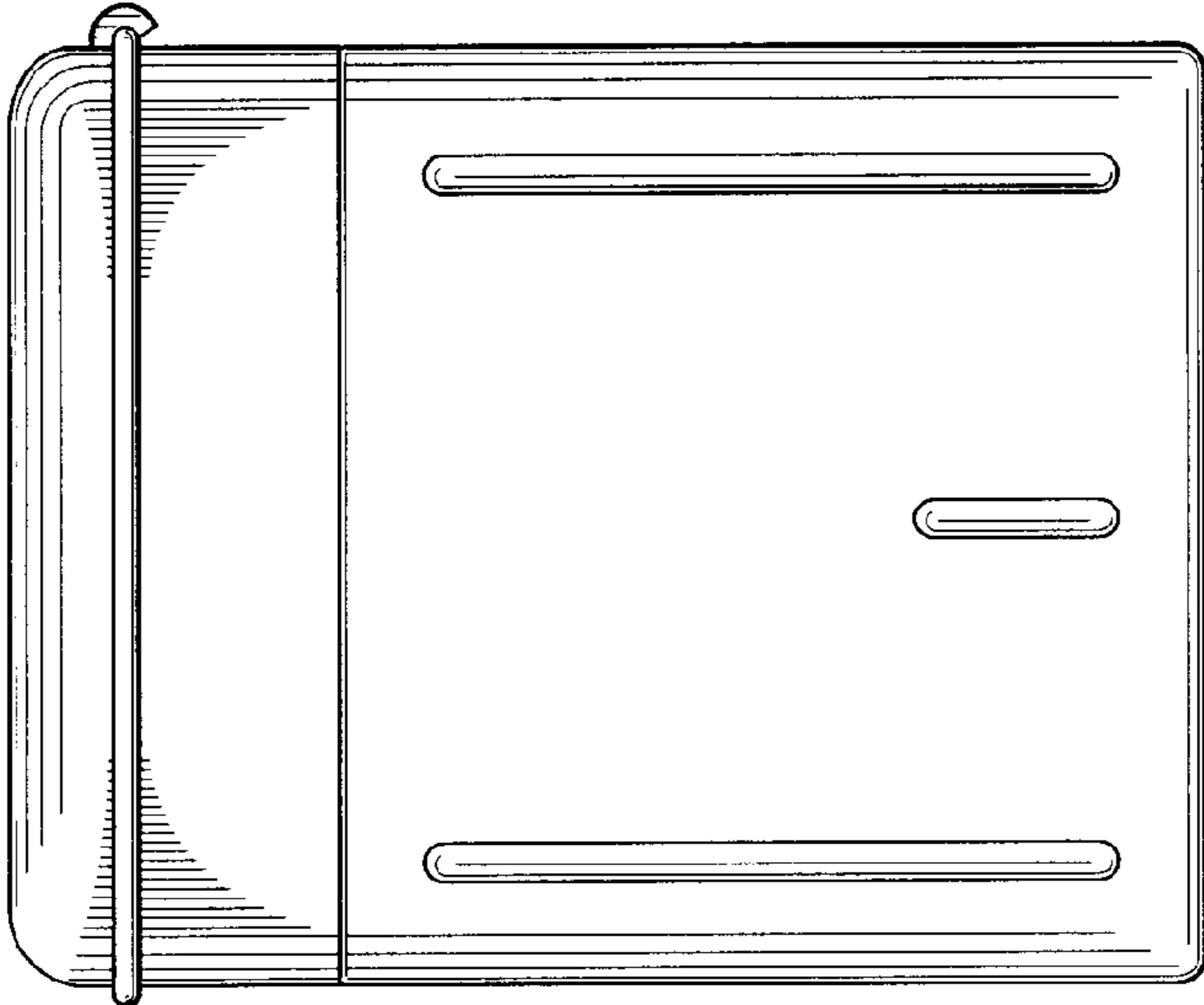


Fig. 4.

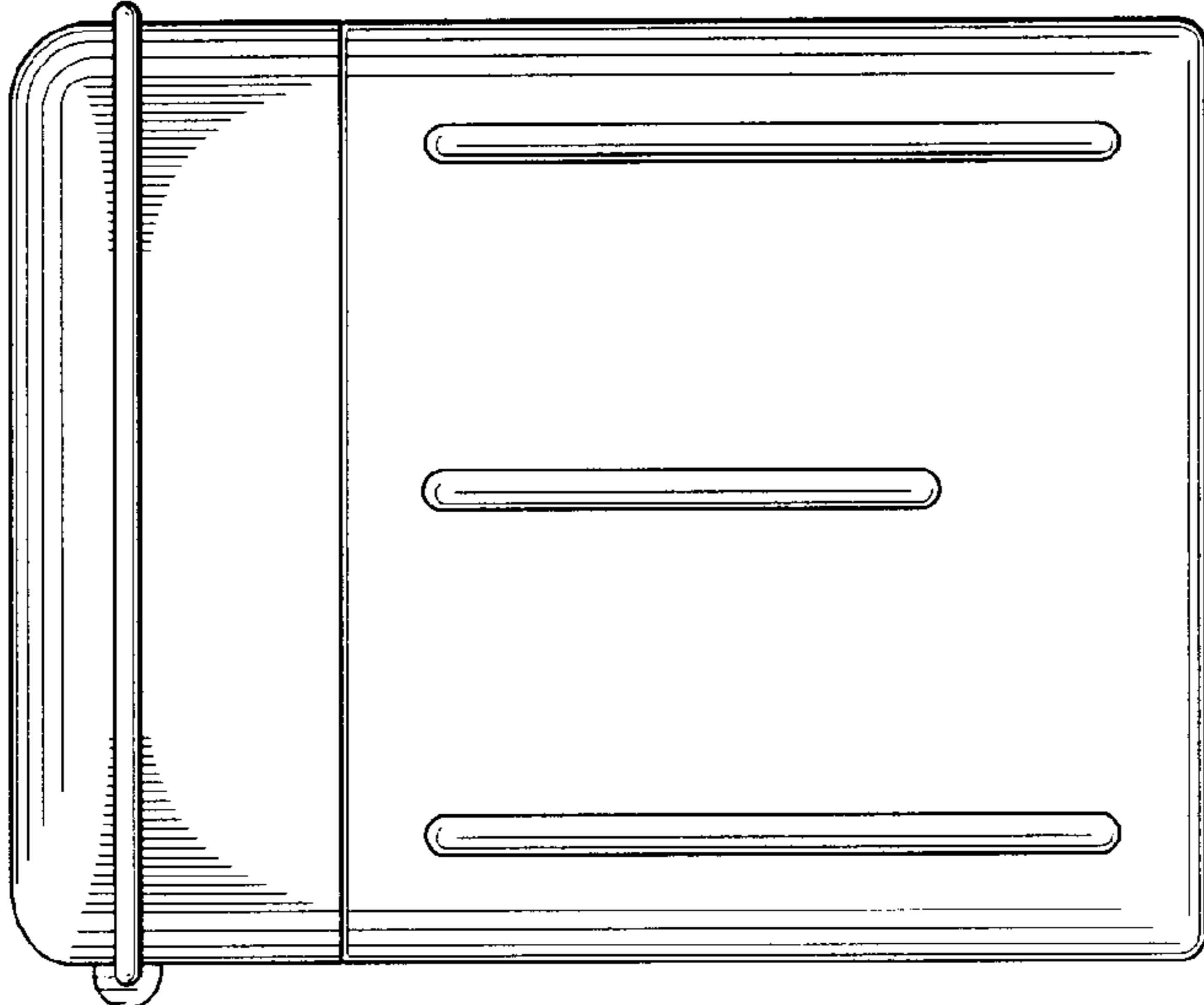


Fig. 3.

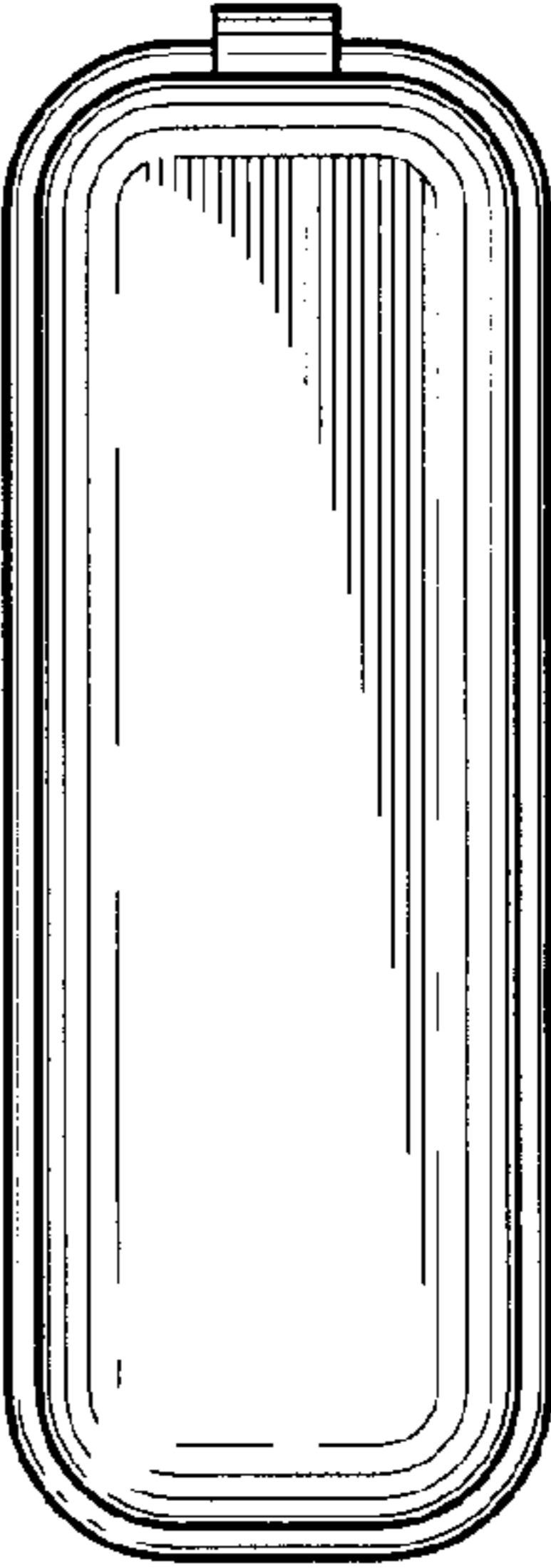


Fig. 8.

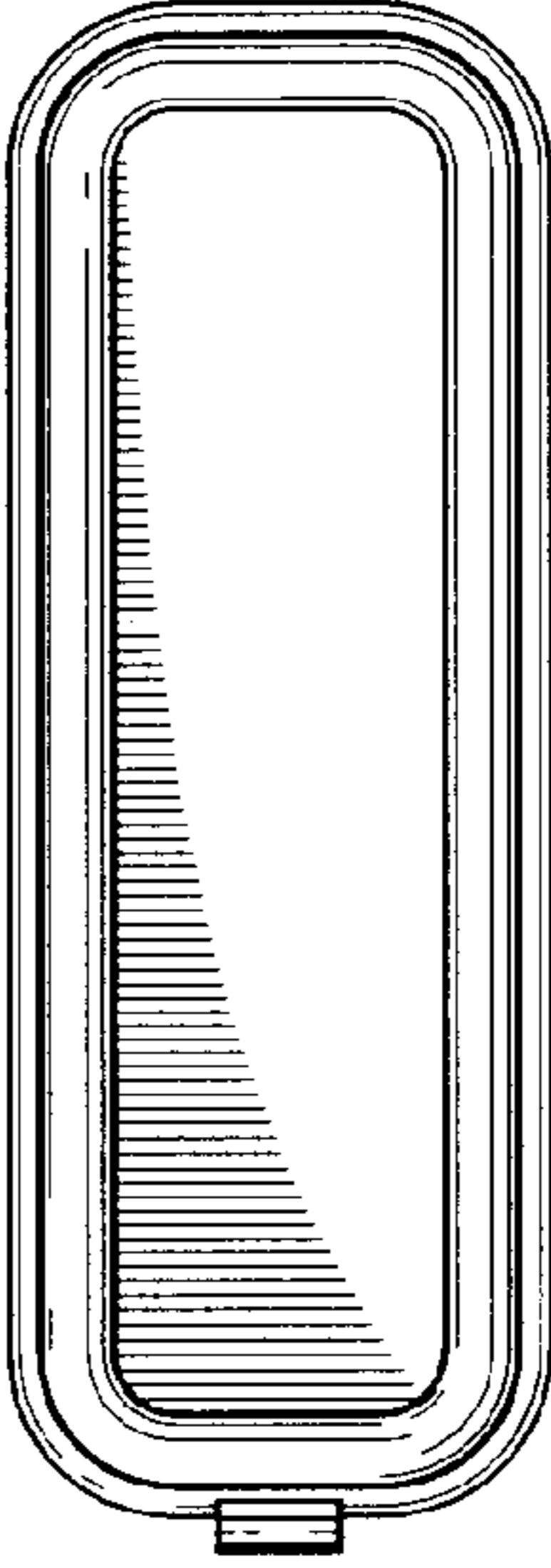


Fig. 7.