

US00D509731S

(12) **United States Design Patent**
Isono et al.

(10) **Patent No.: US D509,731 S**
(45) **Date of Patent: ** Sep. 20, 2005**

(54) **PACKAGE**
(75) Inventors: **Makoto Isono, Ashiya (JP); Nobuyuki Kitamura, Yawata (JP); Motoki Tamura, Takatsuki (JP)**

5,562,212 A * 10/1996 Rosler 206/443
D415,960 S * 11/1999 Majdanski et al. D9/418
6,026,685 A * 2/2000 Weterrings et al. 73/429
D423,345 S * 4/2000 Sugarman D9/423
6,418,923 B1 * 7/2002 Cantrell 126/25 R
D491,804 S * 6/2004 Benedetti D9/420

(73) Assignee: **The Procter & Gamble Company, Cincinnati, OH (US)**

* cited by examiner

(**) Term: **14 Years**

Primary Examiner—Prabhakar Deshmukh
(74) *Attorney, Agent, or Firm*—Brent M. Peebles; Kim William Zerby; Steven W. Miller

(21) Appl. No.: **29/221,459**

(57) **CLAIM**

(22) Filed: **Jan. 14, 2005**

The ornamental design for a package, as shown and described.

(51) **LOC (8) Cl.** **09-07**

(52) **U.S. Cl.** **D9/422; D9/423; D9/424**

(58) **Field of Search** D9/414, 415, 420-424; D3/273, 294; 206/751, 752, 761, 223, 216, 282, 457; 220/495.01, 8, 213, 376, 254.1

DESCRIPTION

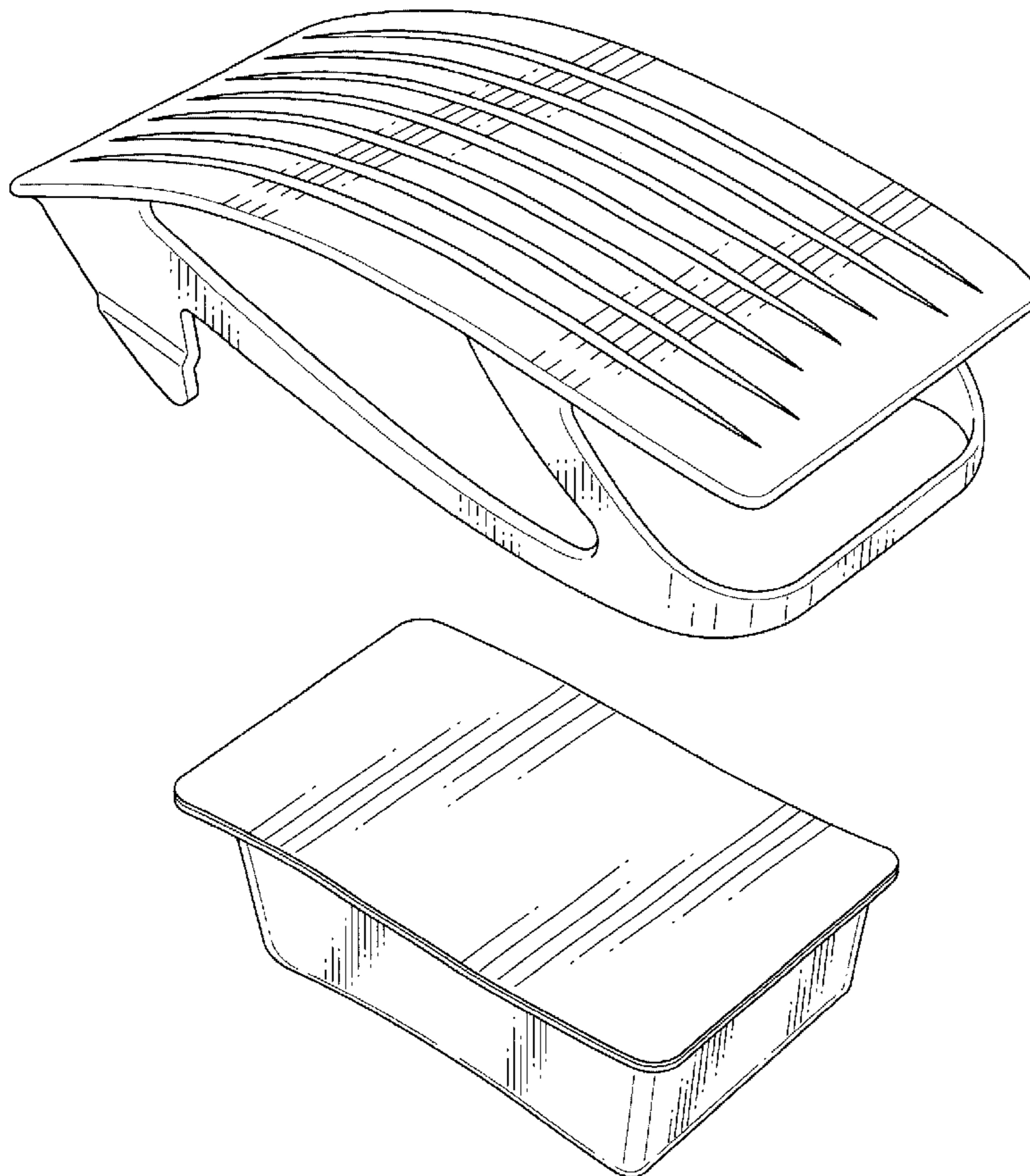
(56) **References Cited**

U.S. PATENT DOCUMENTS

2,433,483 A * 12/1947 Root, Jr. 206/6
3,790,019 A * 2/1974 Murray et al. 206/503
4,925,035 A * 5/1990 Hunninghaus 426/119
D352,525 S * 11/1994 Coe D19/76
5,390,817 A * 2/1995 Rosen 220/669
D366,210 S * 1/1996 McConner D9/423

FIG. 1 is a perspective view of a package, embodying our new design;
FIG. 2 is a top plan view thereof;
FIG. 3 is a bottom view thereof,
FIG. 4 is a right side view thereof,
FIG. 5 is a left side view thereof;
FIG. 6 is a back view thereof;
FIG. 7 is a front view thereof; and,
FIG. 8 is an exploded perspective view thereof.

1 Claim, 5 Drawing Sheets



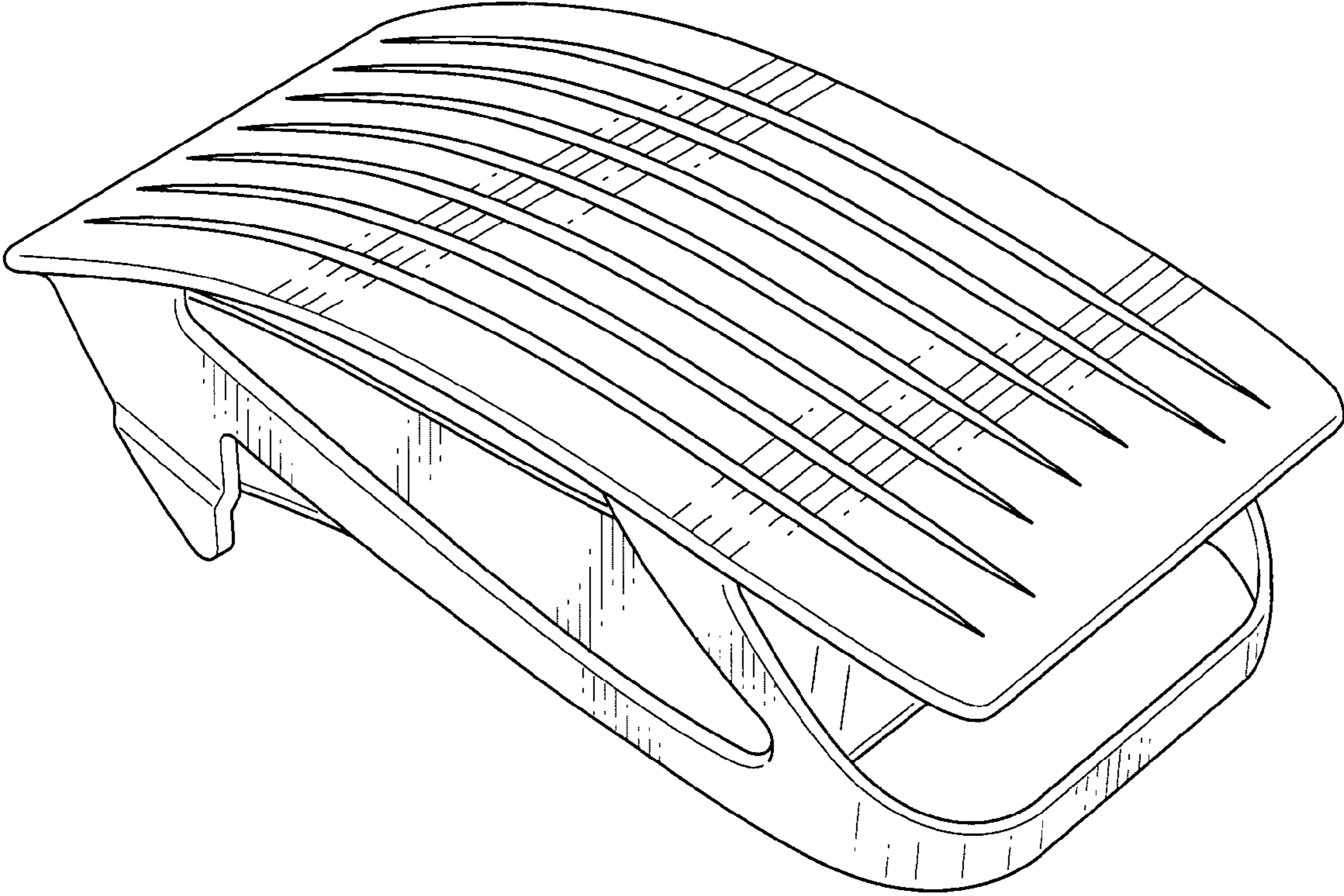


Fig. 1

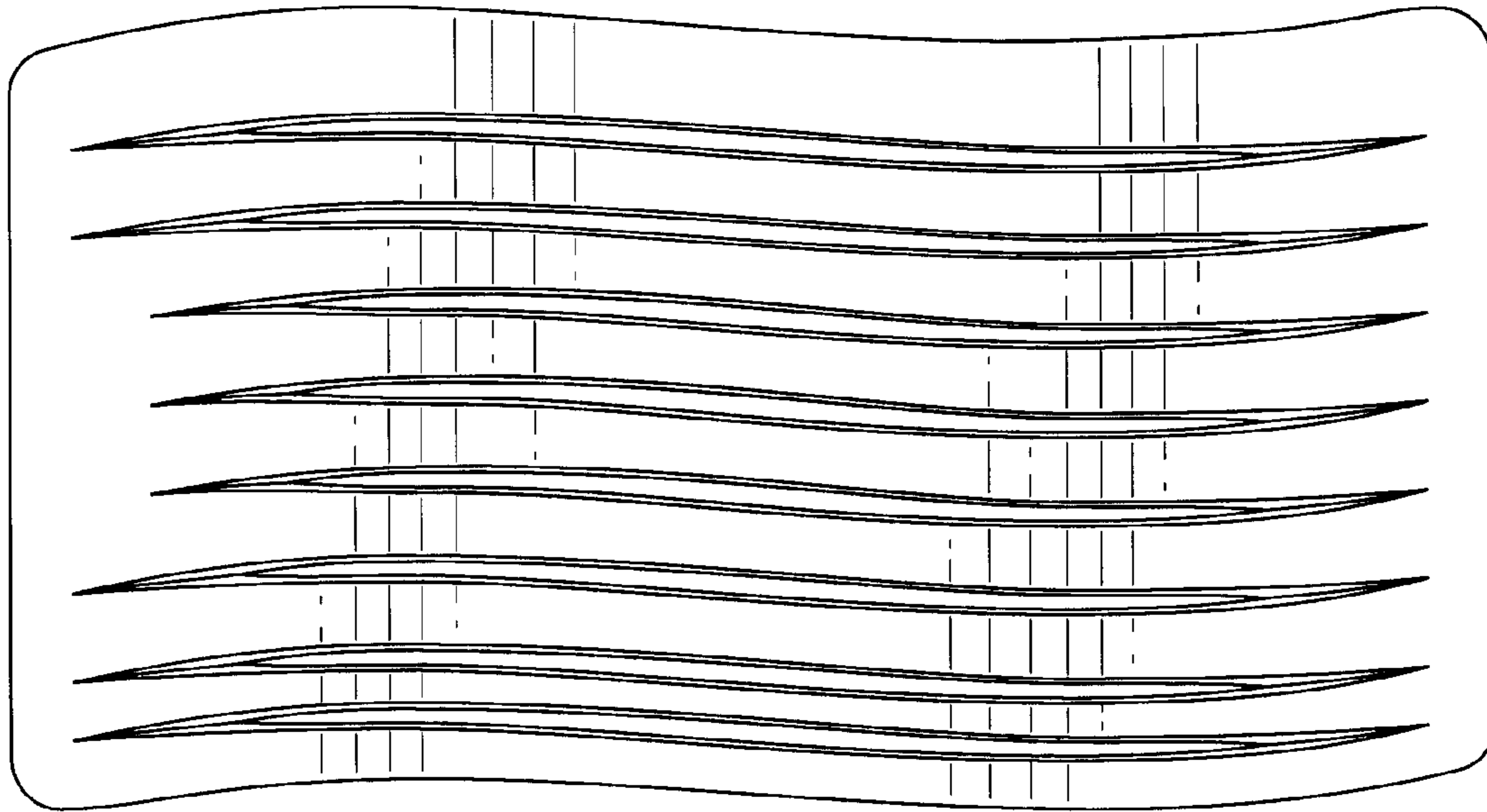


Fig. 2

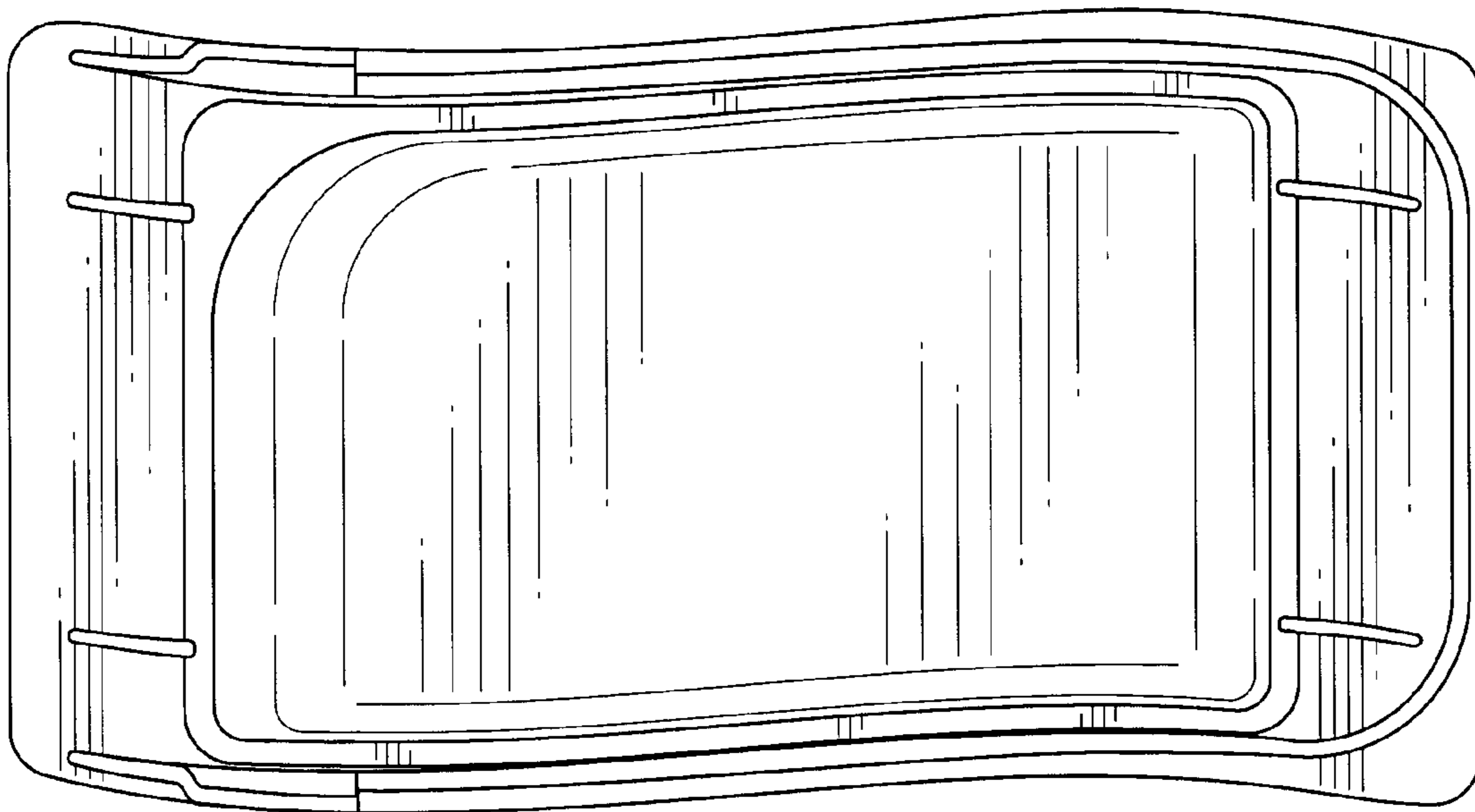


Fig. 3

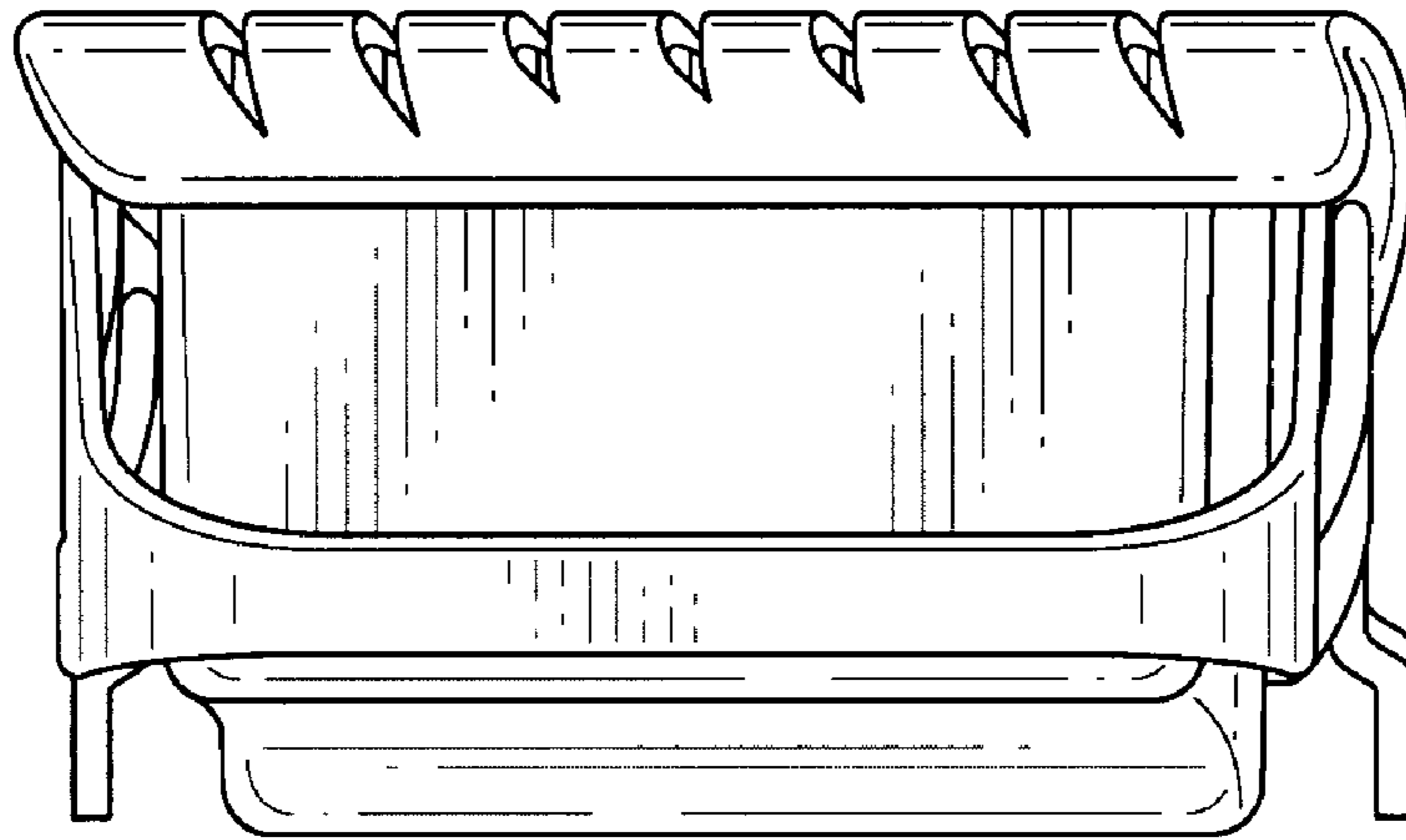


Fig. 4

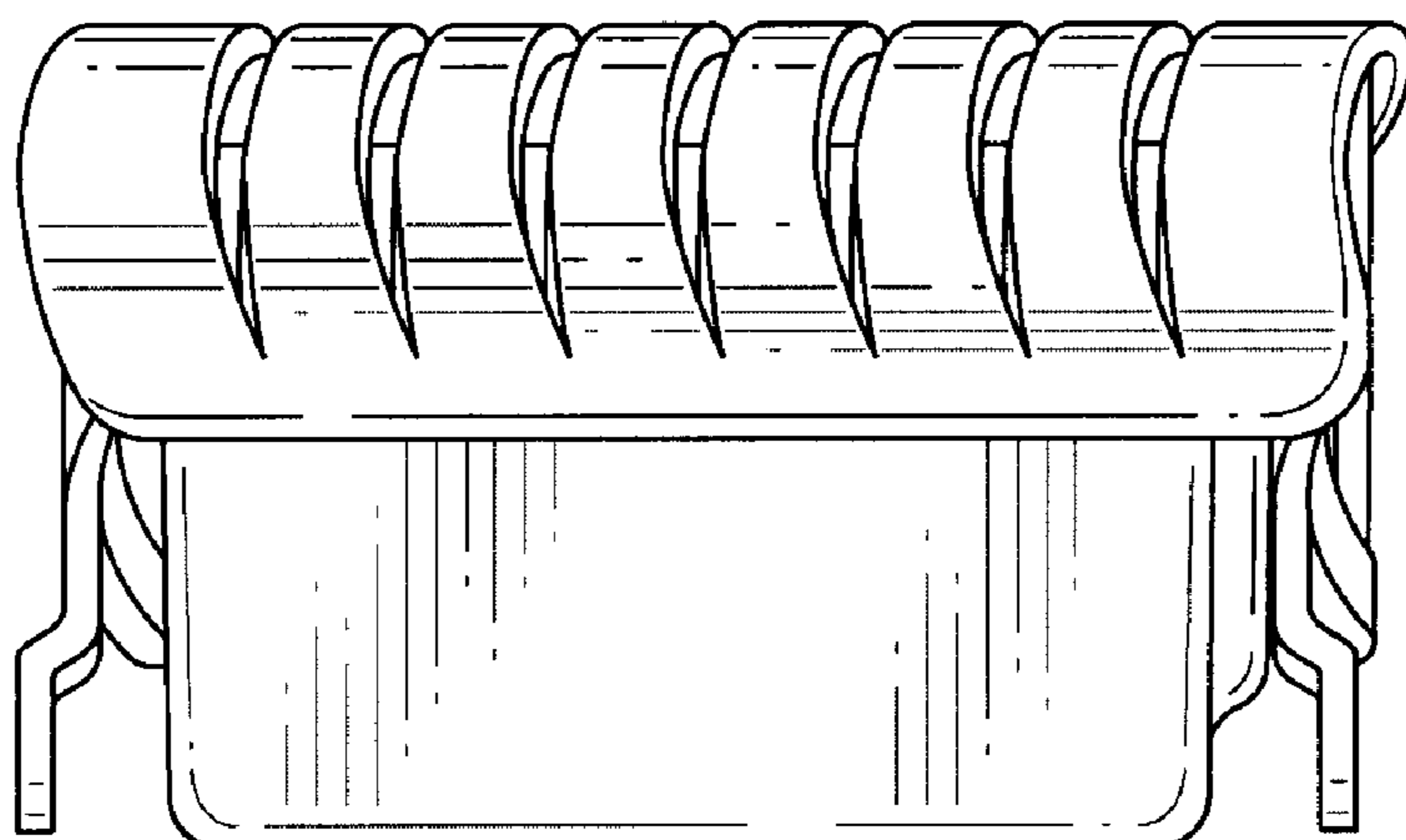


Fig. 5

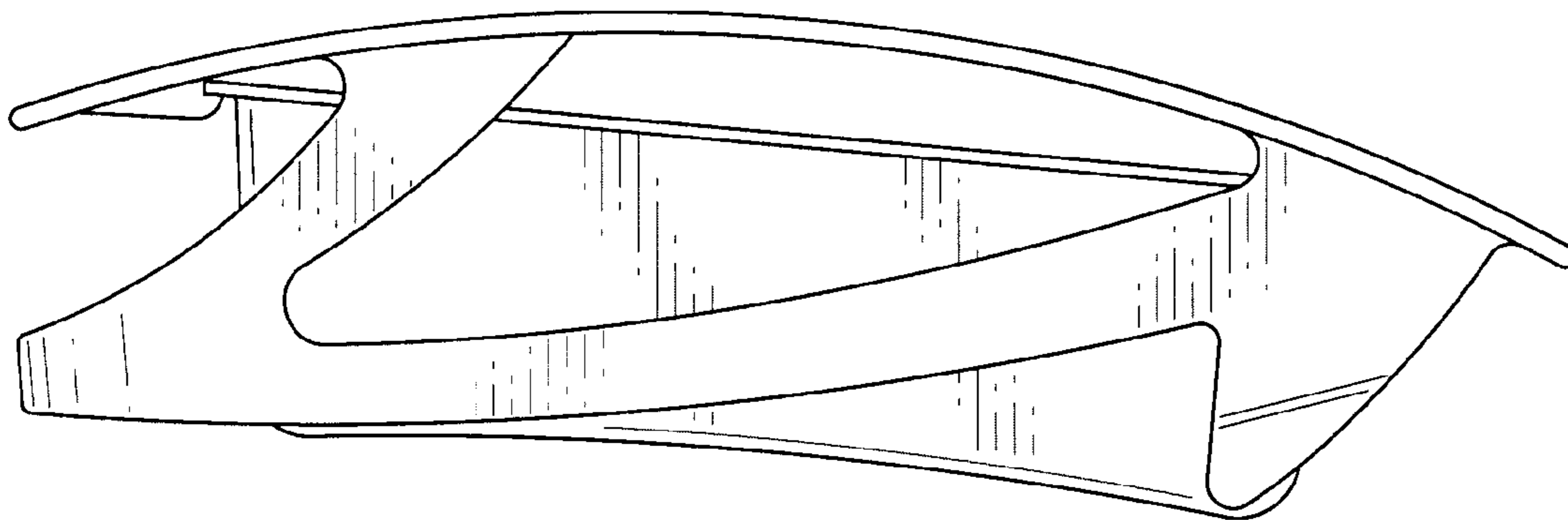


Fig. 6

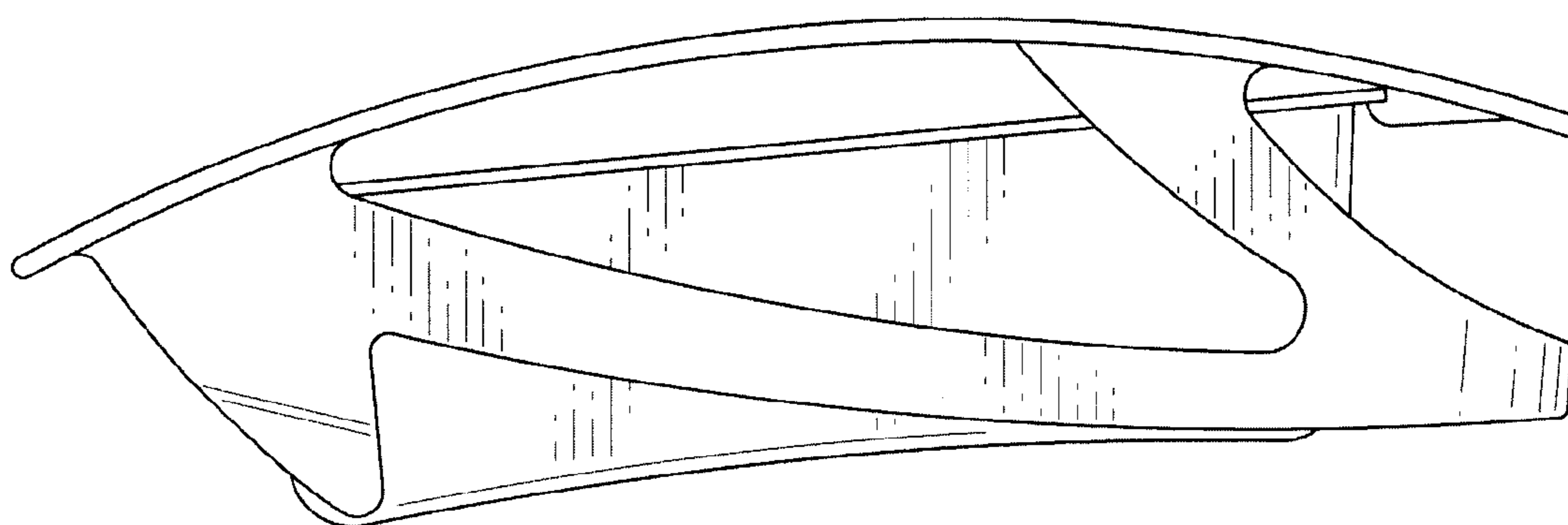


Fig. 7

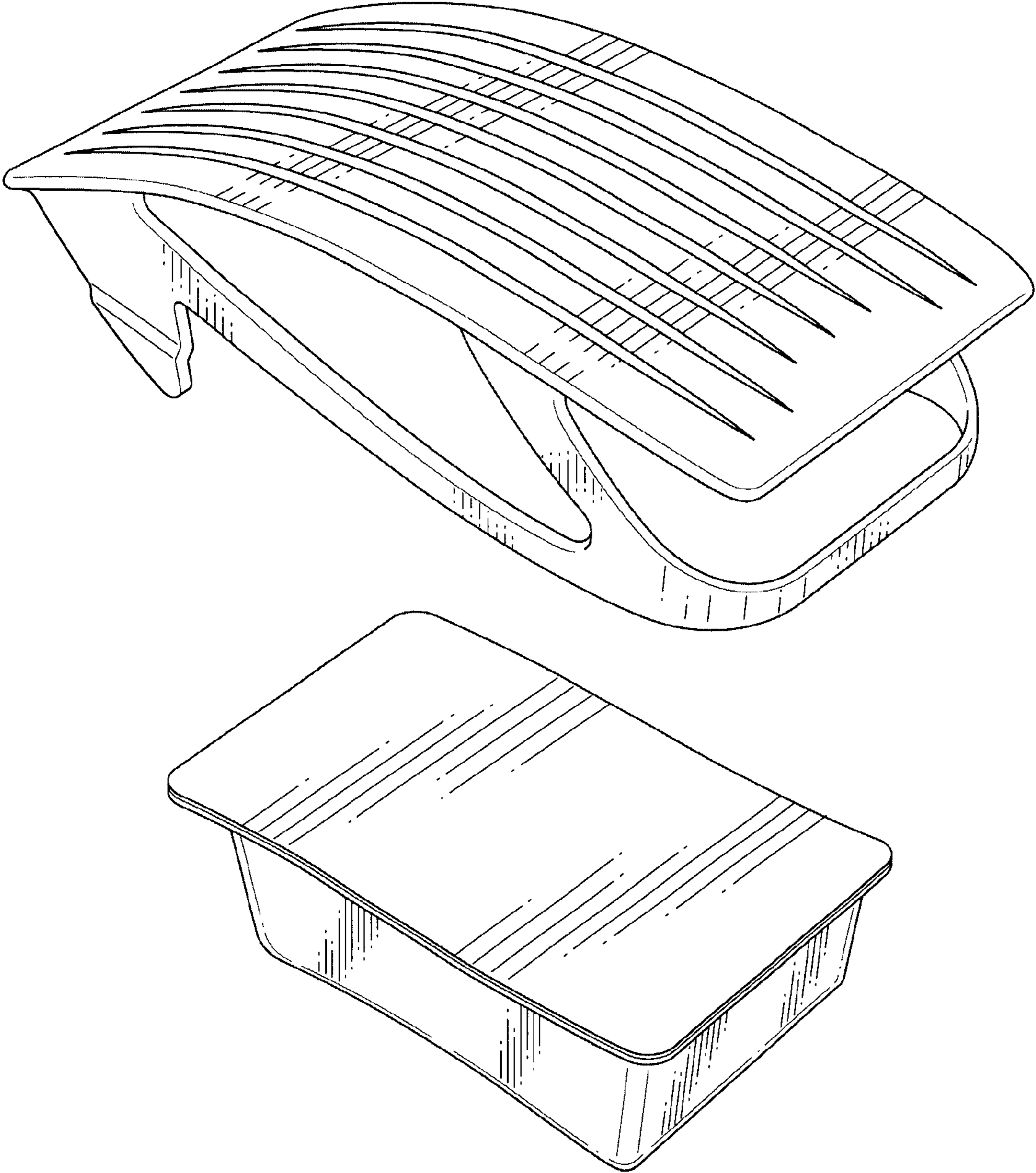


Fig. 8