

US00D509728S

(12) **United States Design Patent**
Kato

(10) **Patent No.:** **US D509,728 S**

(45) **Date of Patent:** **** Sep. 20, 2005**

(54) **PACKAGING BOX**

(75) Inventor: **Shuji Kato**, Tokorozawa (JP)

(73) Assignee: **Casio Keisanki Kabushiki Kaisha**,
Tokyo (JP)

(**) Term: **14 Years**

(21) Appl. No.: **29/212,208**

(22) Filed: **Aug. 27, 2004**

(51) **LOC (8) Cl.** **09-03**

(52) **U.S. Cl.** **D9/415; D9/418; D9/430;**
D9/416

(58) **Field of Search** D9/415, 418, 416,
D9/417, 430, 431, 414; 206/461-471, 495,
806, 457, 458, 769, 774, 223, 233; 229/108,
107, 116.1, 902, 406.938, 87.01, 92.7, 4.5

(56) **References Cited**

U.S. PATENT DOCUMENTS

D202,920 S	*	11/1965	Musslug	D6/518
3,929,222 A	*	12/1975	Smith et al.	206/783
4,500,000 A	*	2/1985	Membrino	206/554
4,557,384 A	*	12/1985	Membrino	206/554
4,887,709 A	*	12/1989	Shimamine	206/6.1

5,896,996 A	*	4/1999	Chuang	206/769
D412,398 S	*	8/1999	Watabe	D3/294
6,024,211 A	*	2/2000	Johnston	206/69
D422,210 S	*	4/2000	Sturkie et al.	D9/415
D450,578 S	*	11/2001	Tomaselli et al.	D9/418
6,330,945 B1	*	12/2001	Reimer	206/470
D486,731 S	*	2/2004	Meeker et al.	D9/416

* cited by examiner

Primary Examiner—Prabhakar Deshmukh

(74) *Attorney, Agent, or Firm*—Frishauf, Holtz, Goodman & Chick, P. C.

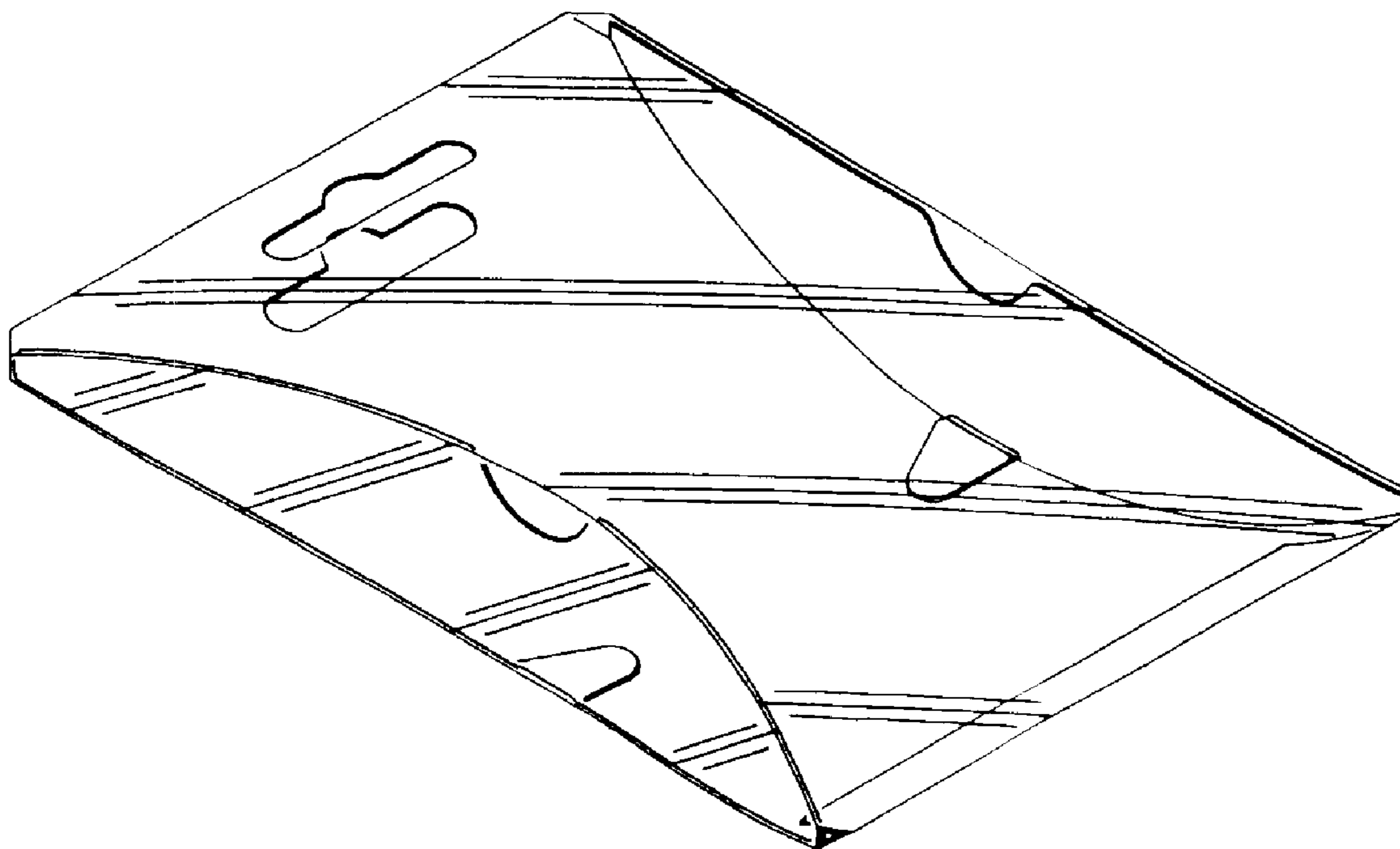
(57) **CLAIM**

The ornamental design for a packaging box, as shown and described.

DESCRIPTION

FIG. 1 is a reduced scale front, left side, bottom perspective view of a packaging box showing my new design; FIG. 2 is a front elevational view thereof; FIG. 3 is a rear elevational view thereof; FIG. 4 is a left side view thereof; FIG. 5 is a right side view thereof; FIG. 6 is a top plan view thereof; and, FIG. 7 is a bottom plan view thereof.

1 Claim, 6 Drawing Sheets



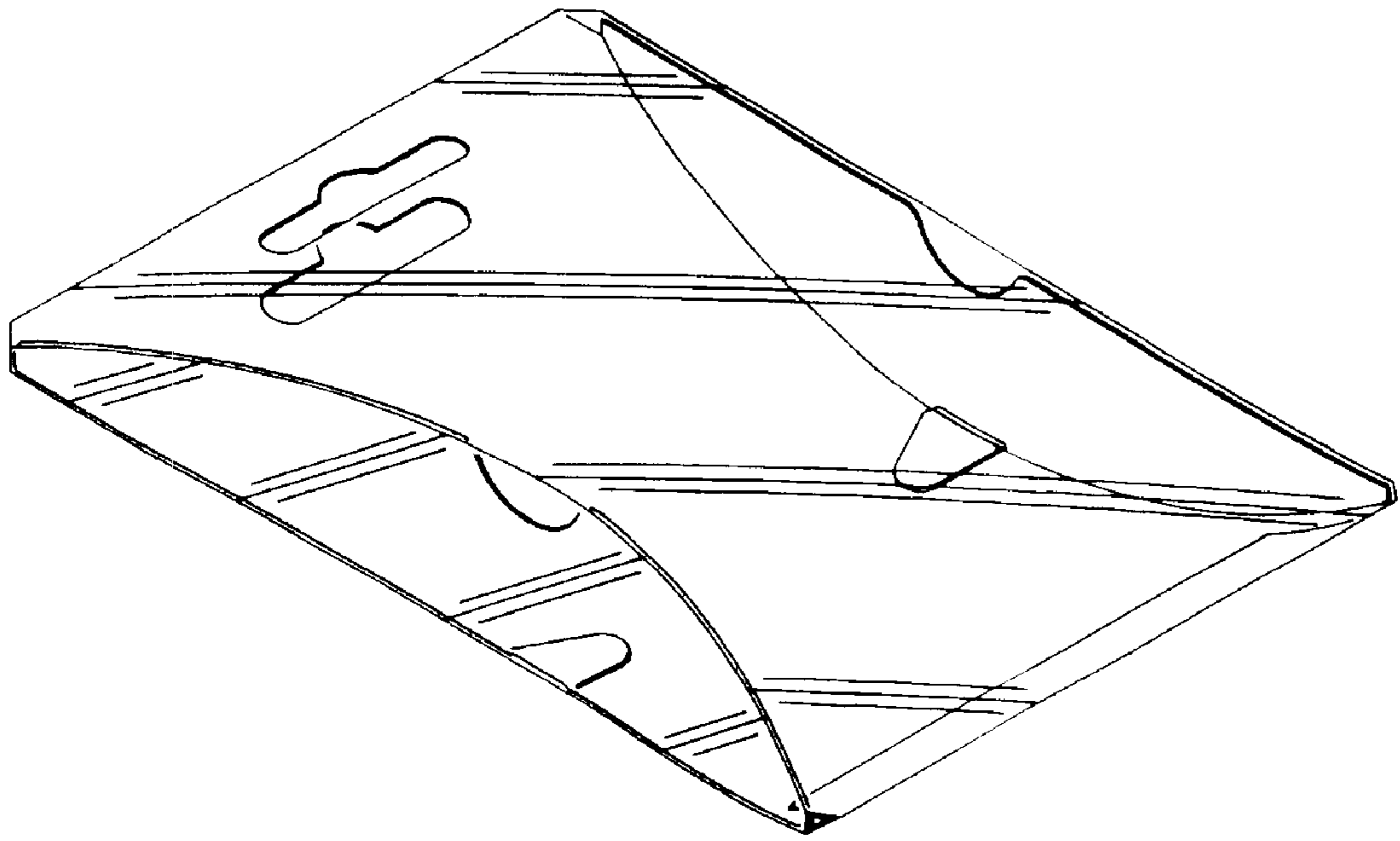


FIG. 1

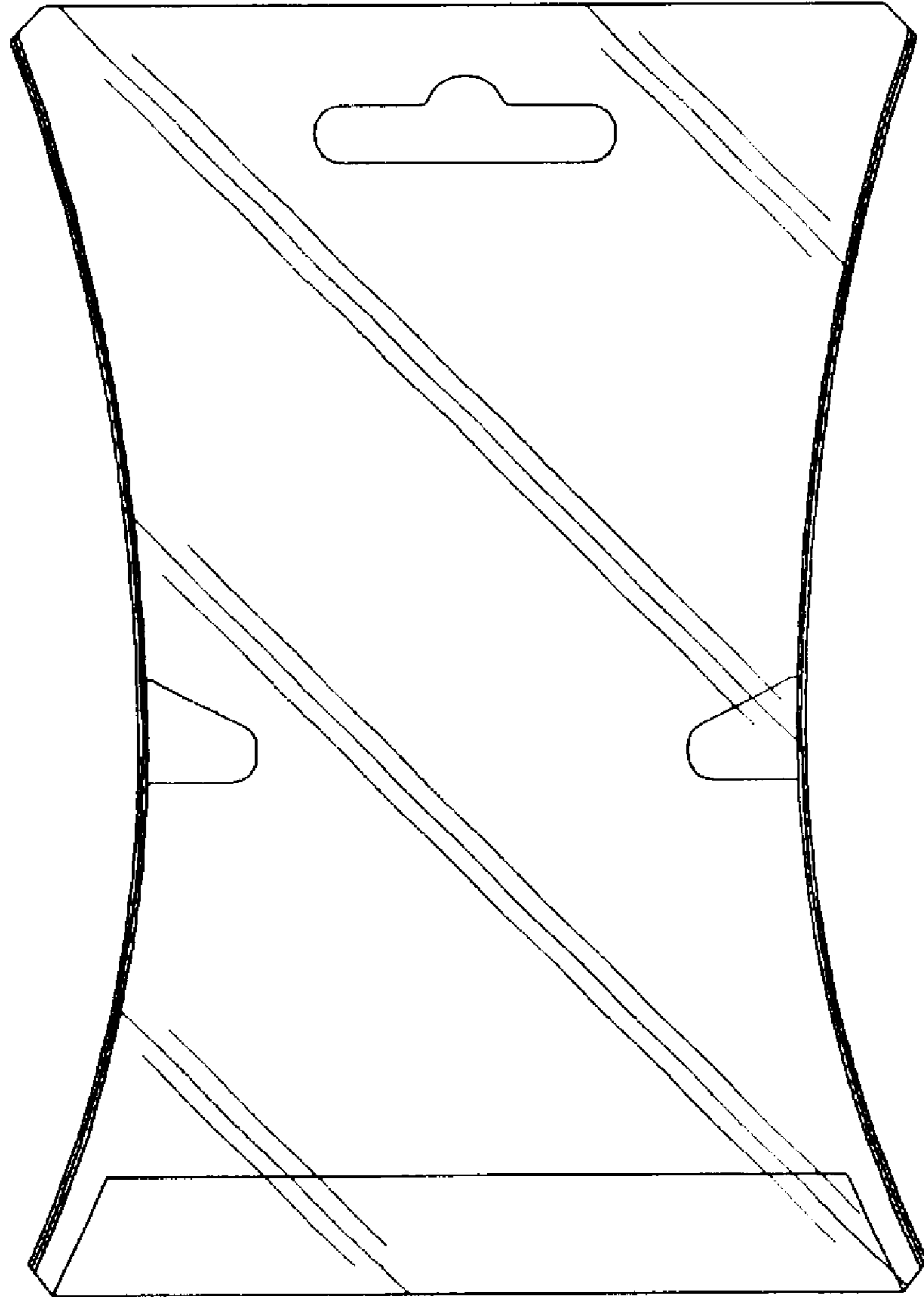


FIG. 2

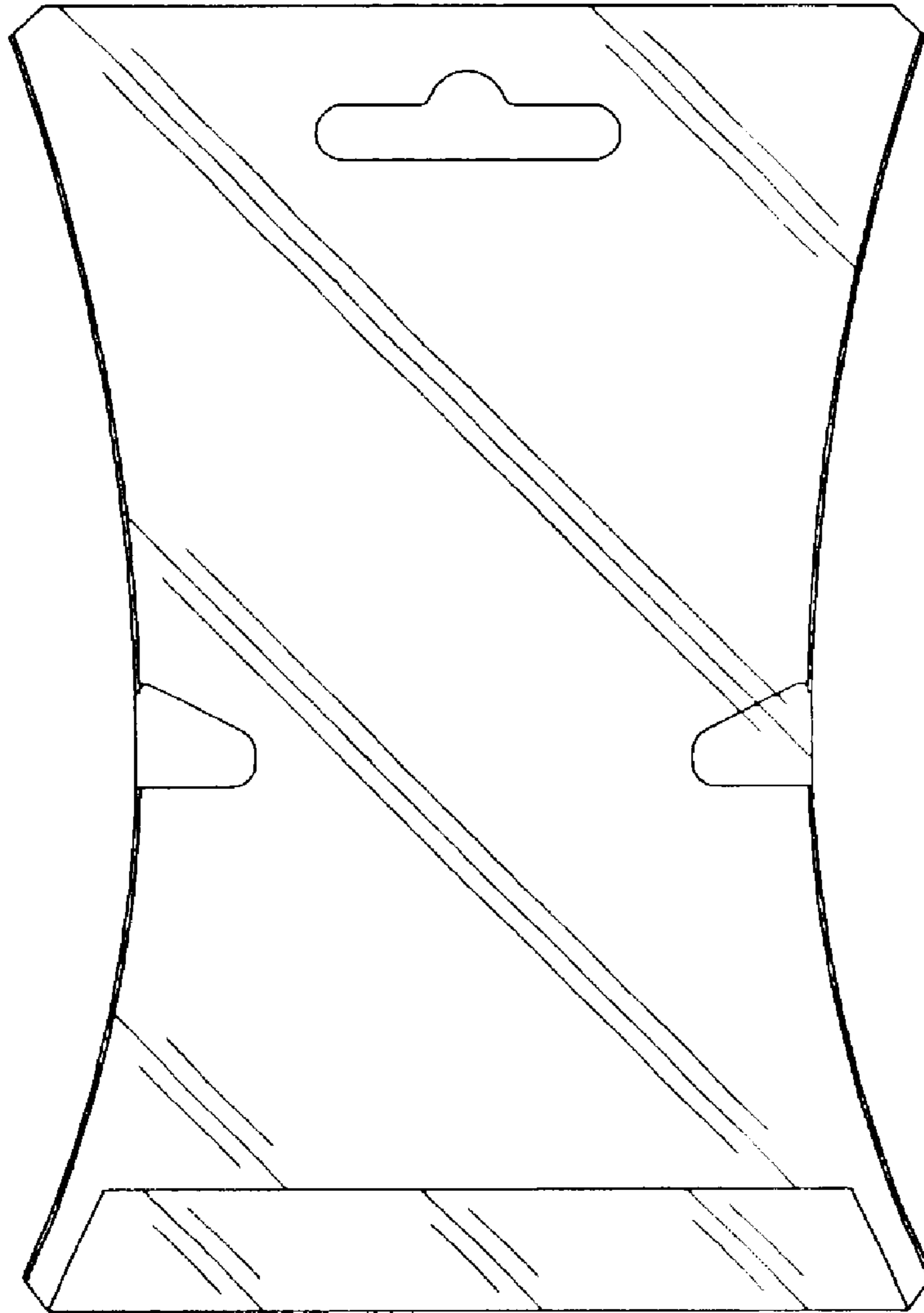


FIG. 3

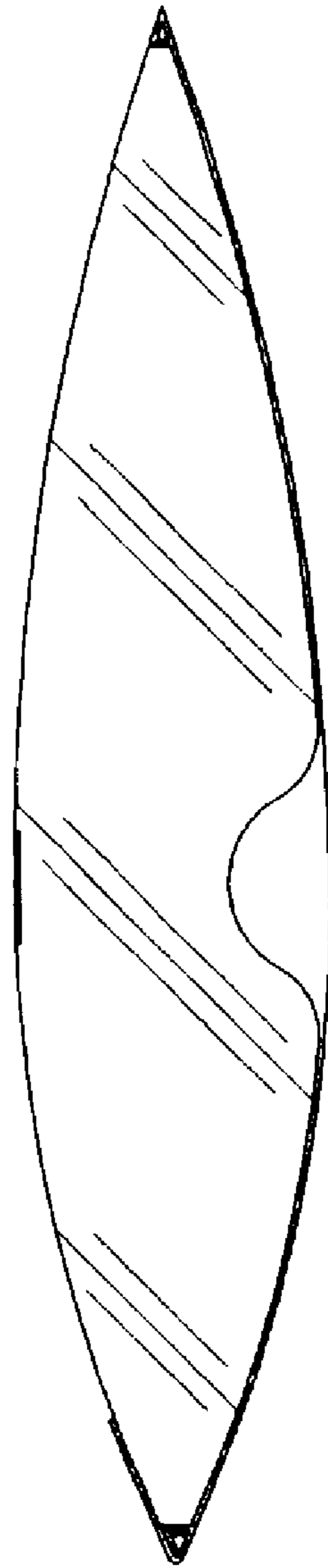


FIG. 4



FIG. 5

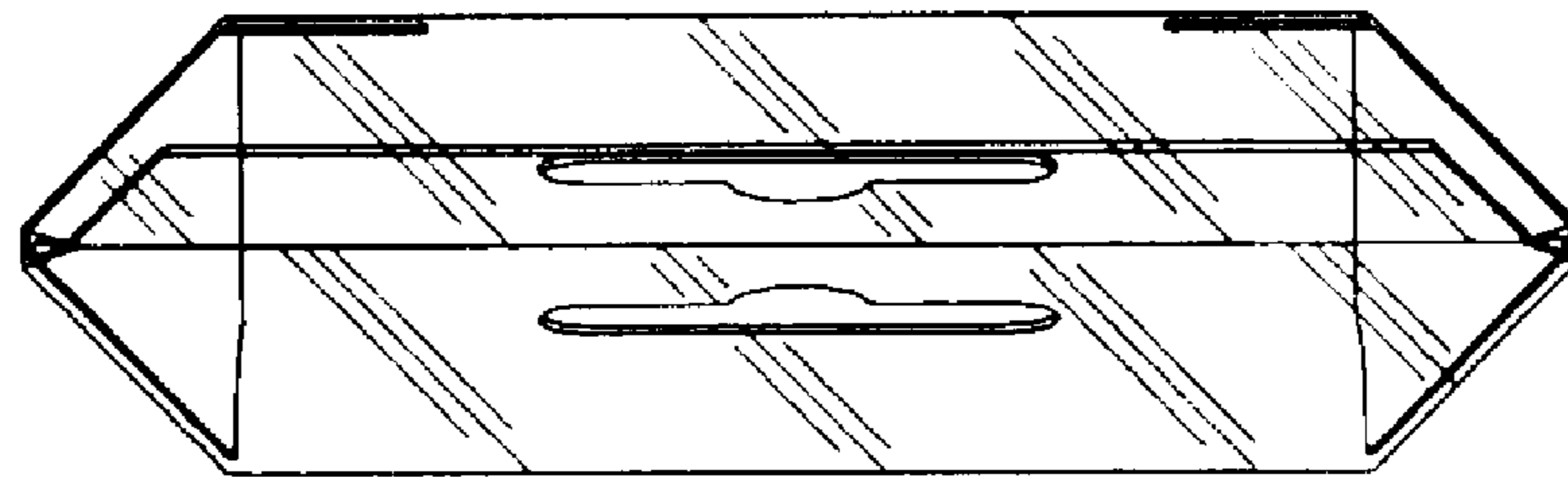


FIG. 6

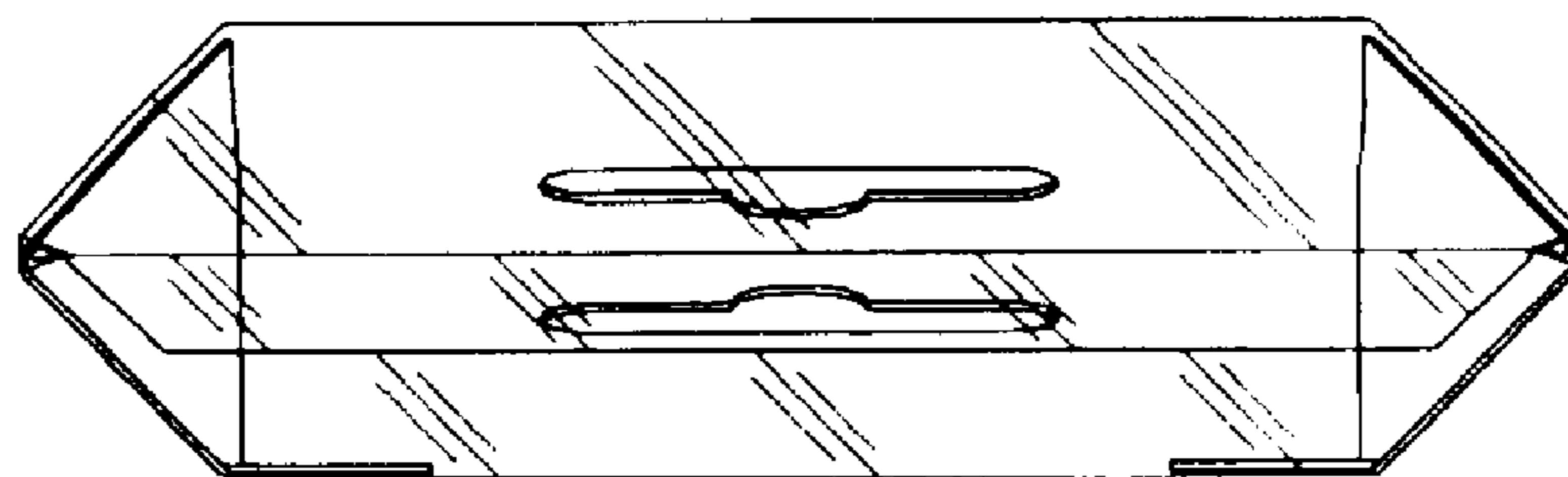


FIG. 7