

US00D509726S

(12) **United States Design Patent**
Diller

(10) **Patent No.:** **US D509,726 S**

(45) **Date of Patent:** **** Sep. 20, 2005**

(54) **CLAMP WITH MOUNTING STUD**

(75) **Inventor:** **Mark G. Diller**, Clayton, OH (US)

(73) **Assignee:** **Midmark Corporation**, Versailles, OH (US)

(**) **Term:** **14 Years**

(21) **Appl. No.:** **29/211,758**

(22) **Filed:** **Aug. 20, 2004**

(51) **LOC (8) Cl.** **08-08**

(52) **U.S. Cl.** **D8/395**

(58) **Field of Search** D8/356, 371, 394-396;
248/72.2, 215, 227.1, 49, 300, 301, 316.7,
51, 489; 24/22, 67 R, 20 S, 115 R, 546,
563, 343

(56) **References Cited**

U.S. PATENT DOCUMENTS

3,270,996 A	9/1966	Churchill	
4,431,154 A	2/1984	Hamm	
D279,959 S	* 8/1985	Nimmo et al. D8/396
4,869,378 A	9/1989	Miller	
5,026,016 A	6/1991	Lisowski	
D333,085 S	2/1993	Thomsen	
5,188,327 A	2/1993	White	
D339,521 S	* 9/1993	Bartlett et al. D8/394

D381,894 S	* 8/1997	Lun D8/396
5,802,636 A	9/1998	Corbin	
5,871,189 A	2/1999	Hoftman	
D432,404 S	* 10/2000	Garfinkle D8/395
6,364,184 B1	4/2002	Hauck	
6,481,679 B1	11/2002	Bennett	
D483,254 S	* 12/2003	Sels D8/394

* cited by examiner

Primary Examiner—Louis S. Zarfaz

Assistant Examiner—John Windmuller

(74) *Attorney, Agent, or Firm*—Wood, Herron & Evans, LLP

(57) **CLAIM**

The ornamental design for a clamp with mounting stud, as shown and described.

DESCRIPTION

FIG. 1 is a perspective view of a clamp with mounting stud in accordance with the present invention;

FIG. 2 is left side view thereof;

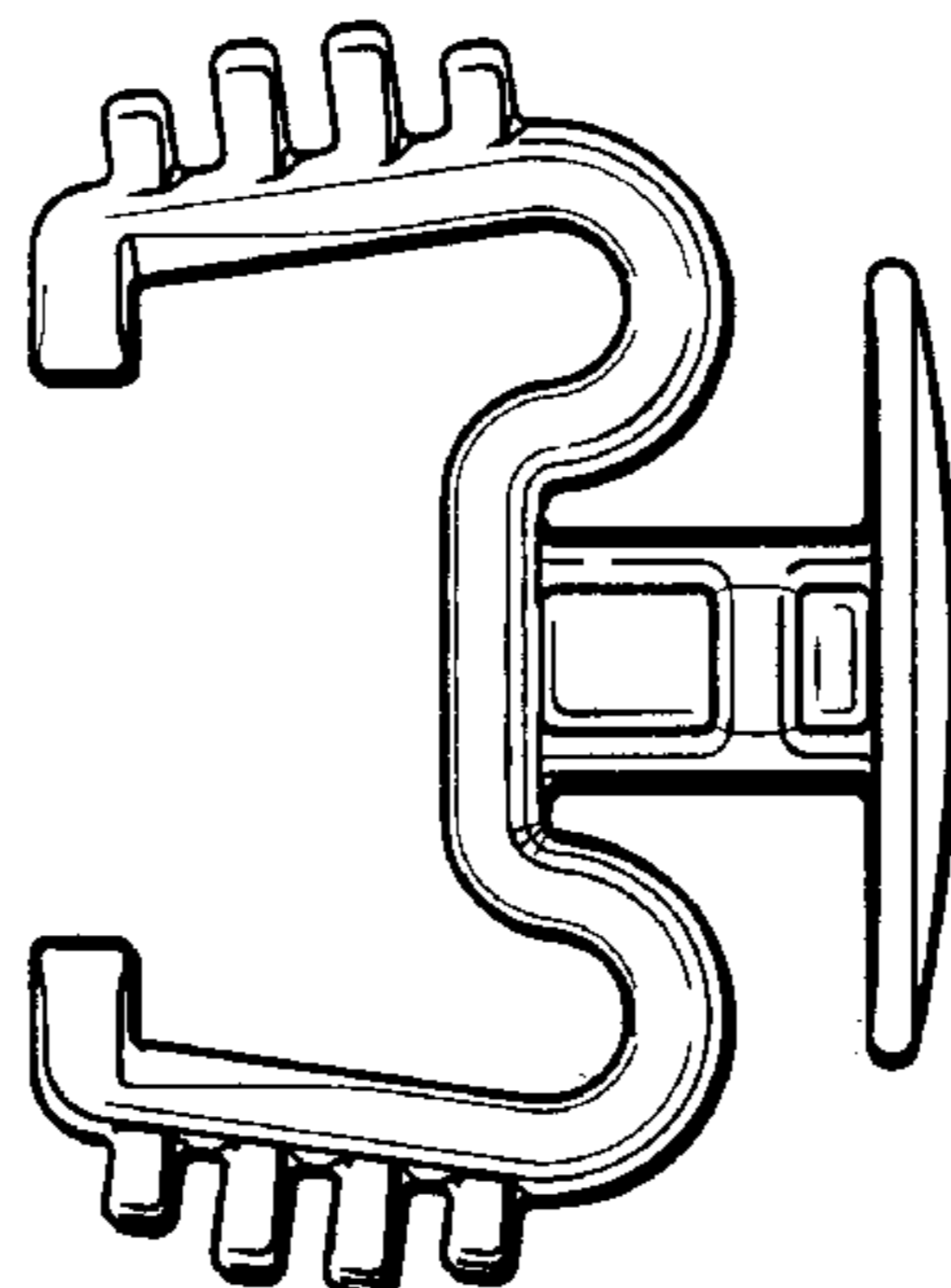
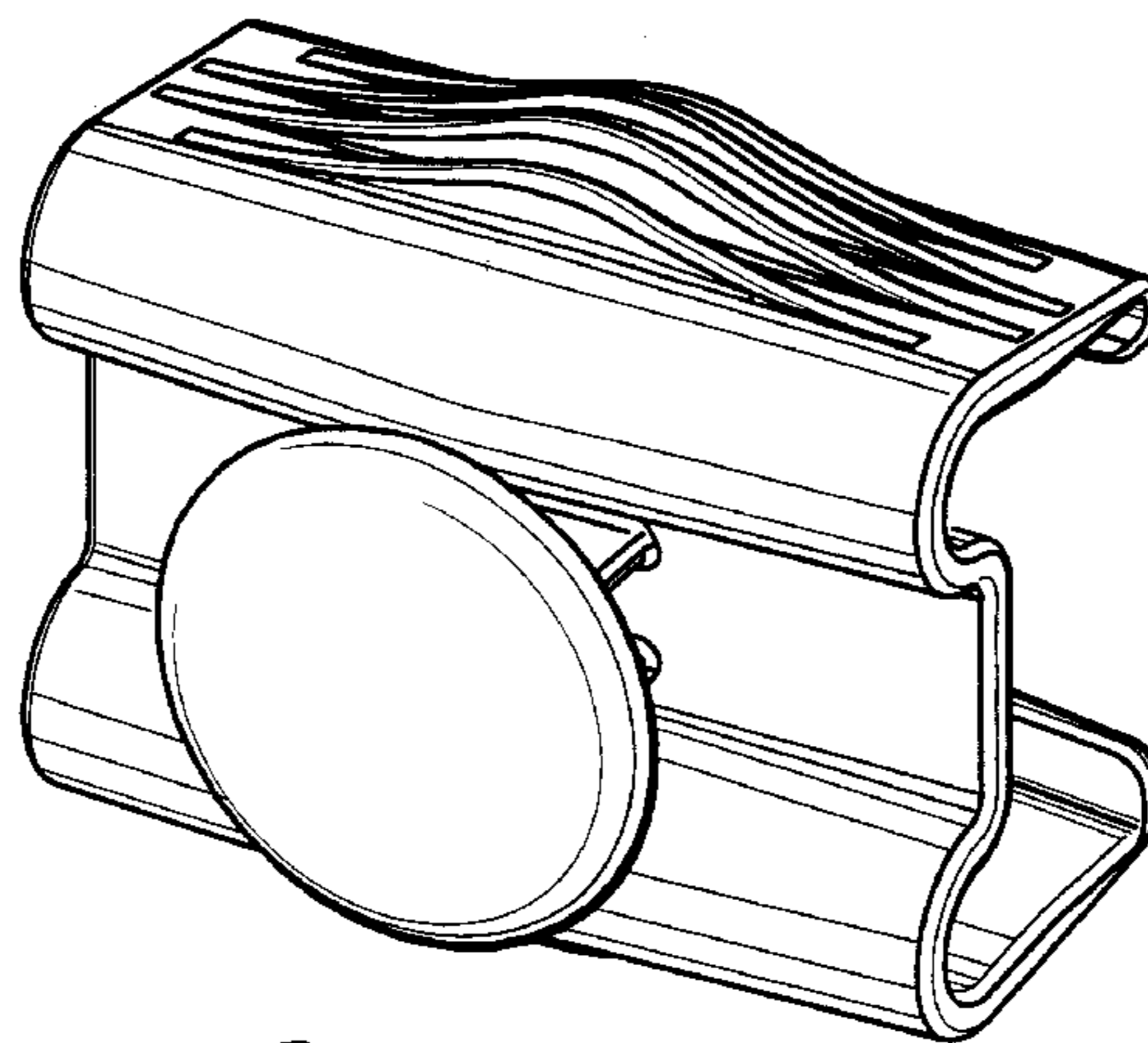
FIG. 3 is a right side view thereof;

FIG. 4 is a rear view thereof, the front view being a mirror image thereof; and,

FIG. 5 is a top view thereof, the bottom view being a mirror image thereof.

The bottom view being identical.

1 Claim, 2 Drawing Sheets



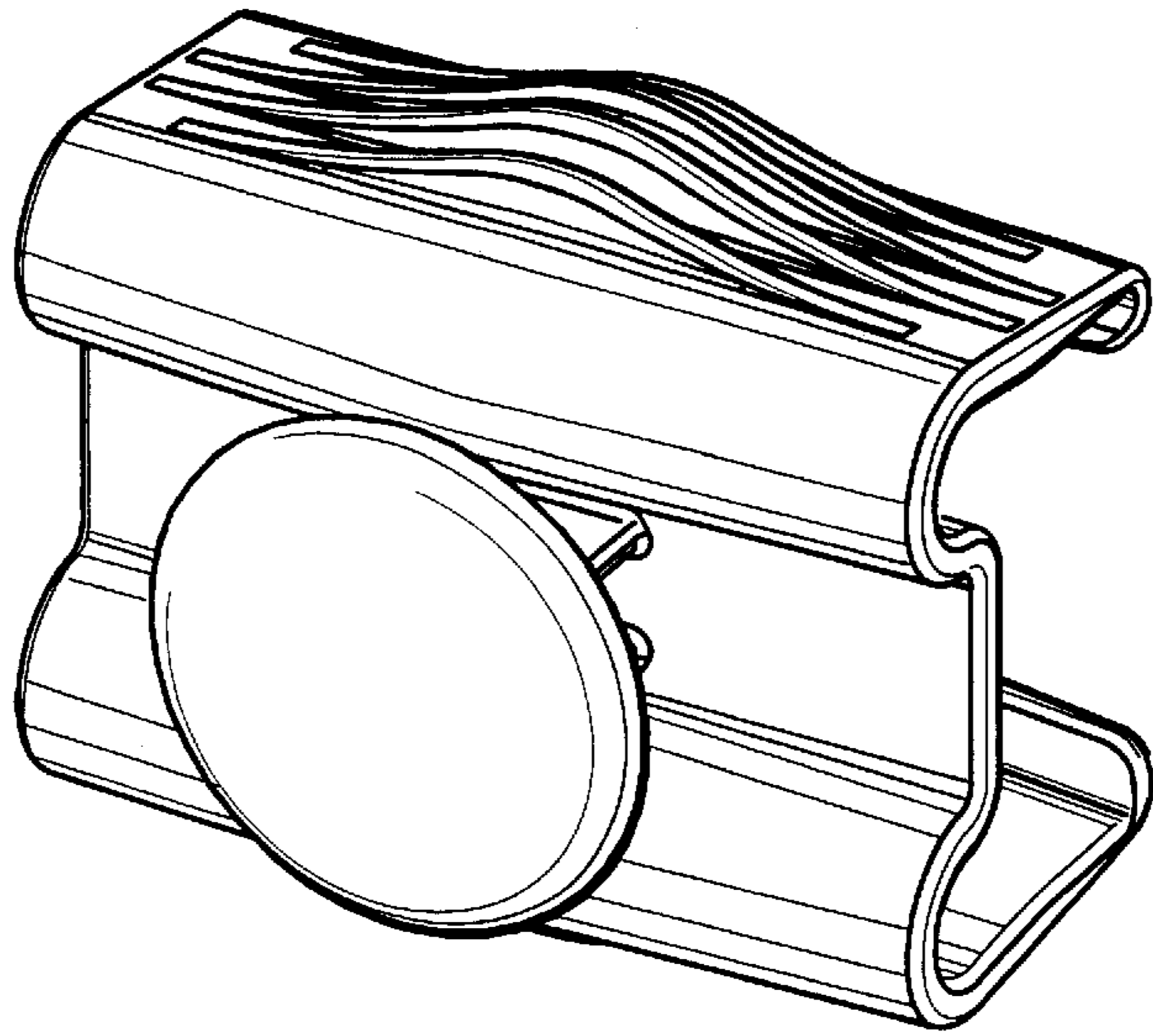


FIG. 1

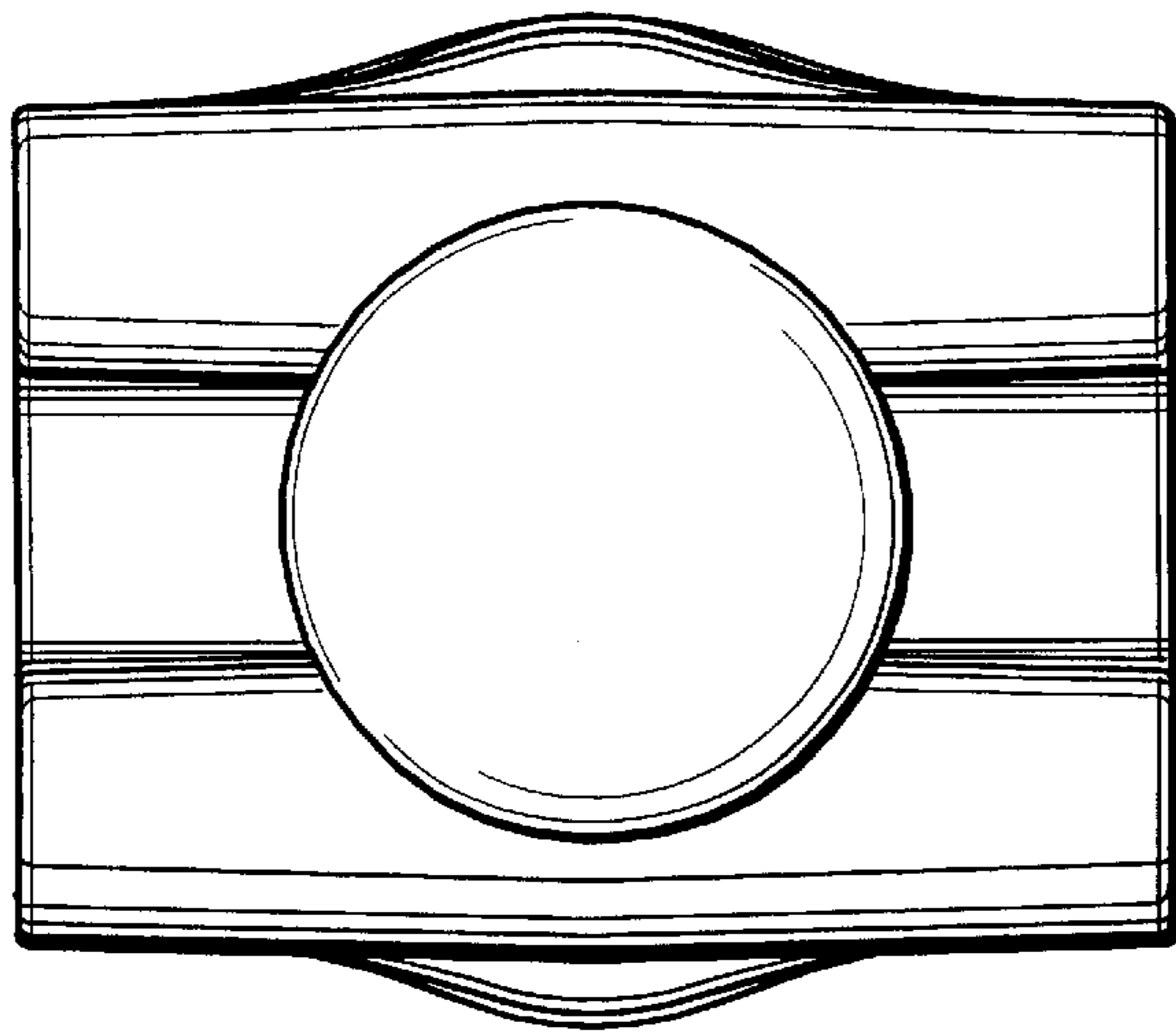


FIG. 2

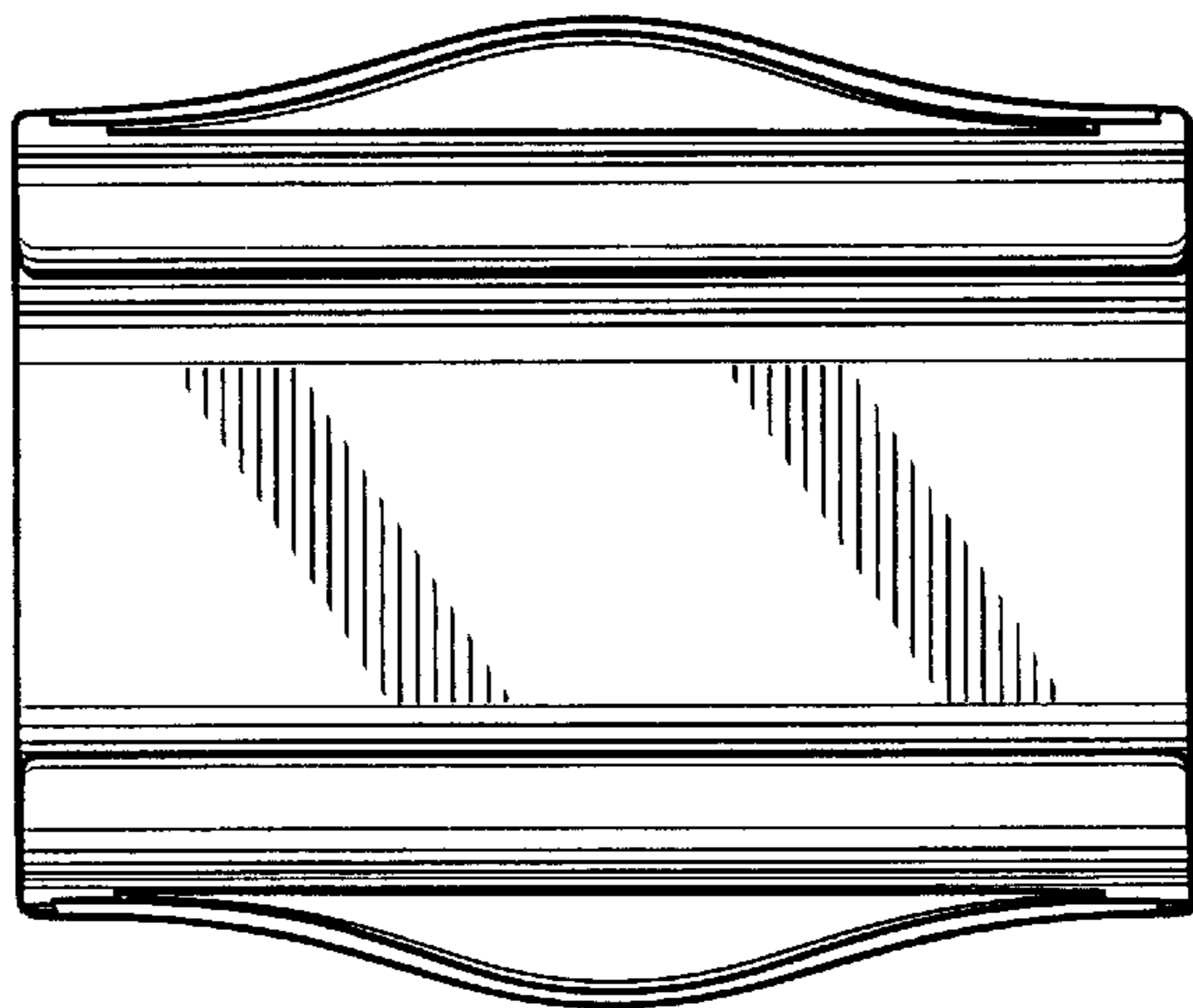


FIG. 3

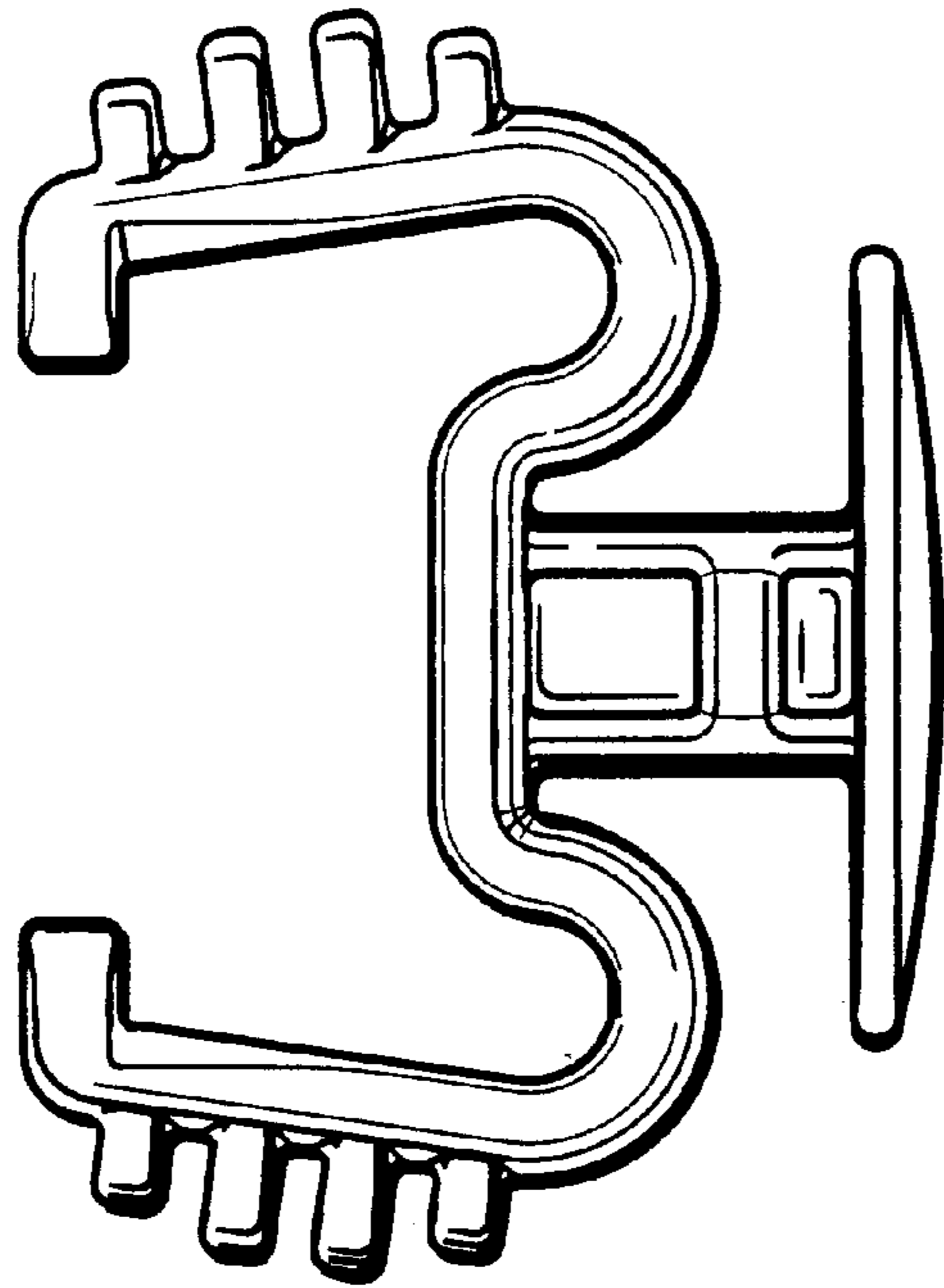


FIG. 4

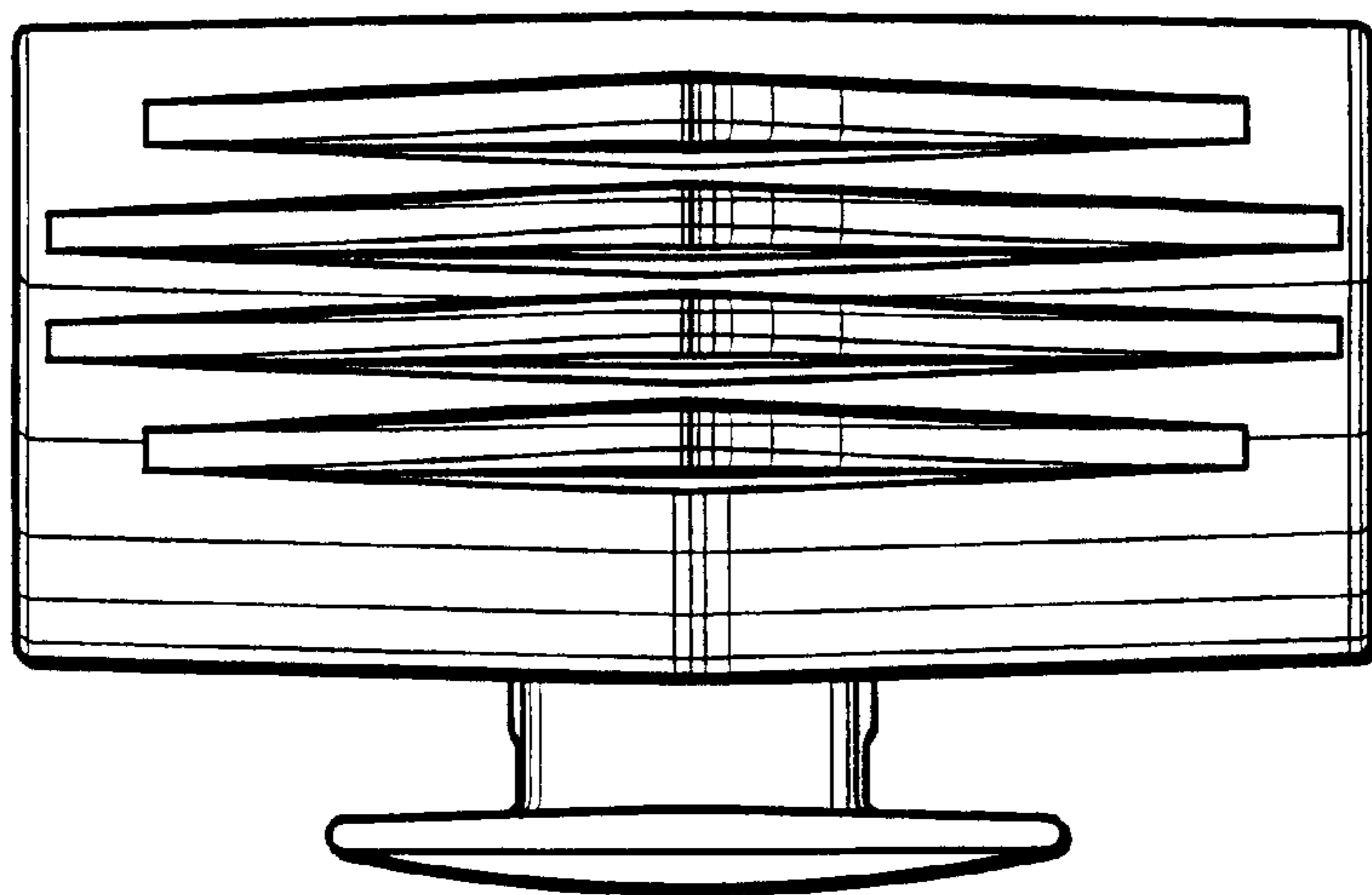


FIG. 5