

US00D509723S

(12) **United States Design Patent**
Smith

(10) **Patent No.:** **US D509,723 S**

(45) **Date of Patent:** **** Sep. 20, 2005**

(54) **SANDING BLOCK**

(76) **Inventor:** **Joseph D. Smith**, 1124 Noble St., Gary,
IN (US) 46404

(**) **Term:** **14 Years**

(21) **Appl. No.:** **29/197,672**

(22) **Filed:** **Jan. 20, 2004**

(51) **LOC (8) Cl.** **08-05**

(52) **U.S. Cl.** **D8/90**

(58) **Field of Search** D8/90, 91, 92,
D8/93; 451/523, 524, 540, 525, 499, 502,
514, 517, 519; D6/601

(56) **References Cited**

U.S. PATENT DOCUMENTS

D107,762 S	*	1/1938	Feild	D8/90
D152,607 S	*	2/1949	Gerlinger	D8/90
4,399,170 A	*	8/1983	Janssen	427/336
D321,636 S	*	11/1991	Ciciliot	D8/75
D329,583 S	*	9/1992	Medina	D8/90
D365,507 S	*	12/1995	Pope	D8/90
D377,305 S	*	1/1997	Bliss	D8/90

D392,868 S	*	3/1998	Ansalvish	D8/90
D406,515 S	*	3/1999	Ali	D8/90
D406,517 S	*	3/1999	Ali	D8/90
D429,136 S	*	8/2000	Ali et al.	D8/90
6,634,937 B1	*	10/2003	Edwards et al.	451/502

* cited by examiner

Primary Examiner—Philip S. Hyder

(74) *Attorney, Agent, or Firm*—Thomas J. Schab

(57) **CLAIM**

I claim the ornamental design for a sanding block, as shown and described.

DESCRIPTION

FIG. 1 is a perspective view of a sanding block showing the new design;

FIG. 2 is a front elevational view of the sanding block, the rear elevational view being a mirror image of the front view;

FIG. 3 is a left side elevational view of the sanding block, the right side elevational view being a mirror image of the left side view;

FIG. 4 is a top elevational view of the sanding block; and, FIG. 5 is a bottom elevational view of the sanding block.

1 Claim, 2 Drawing Sheets

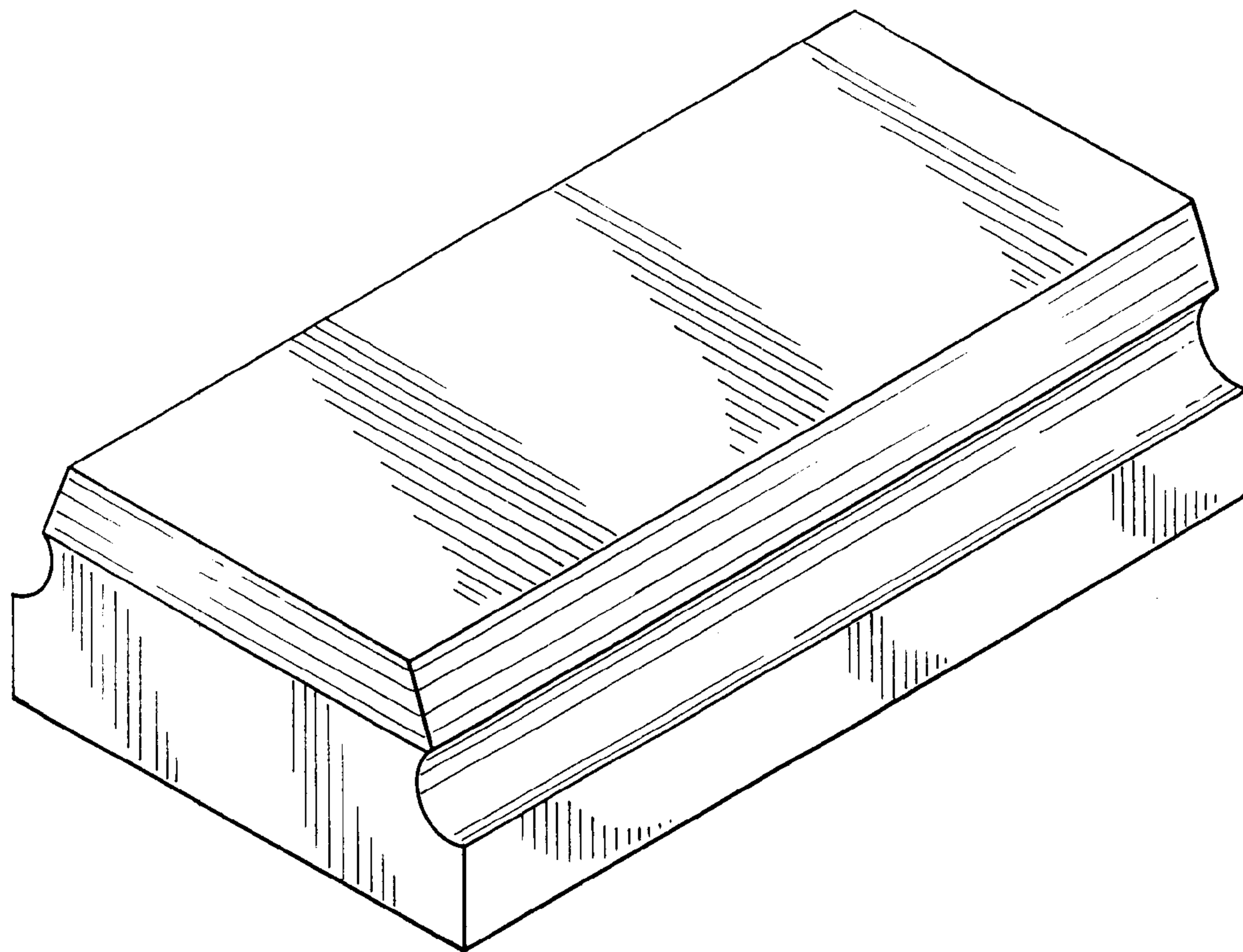


FIG. 1

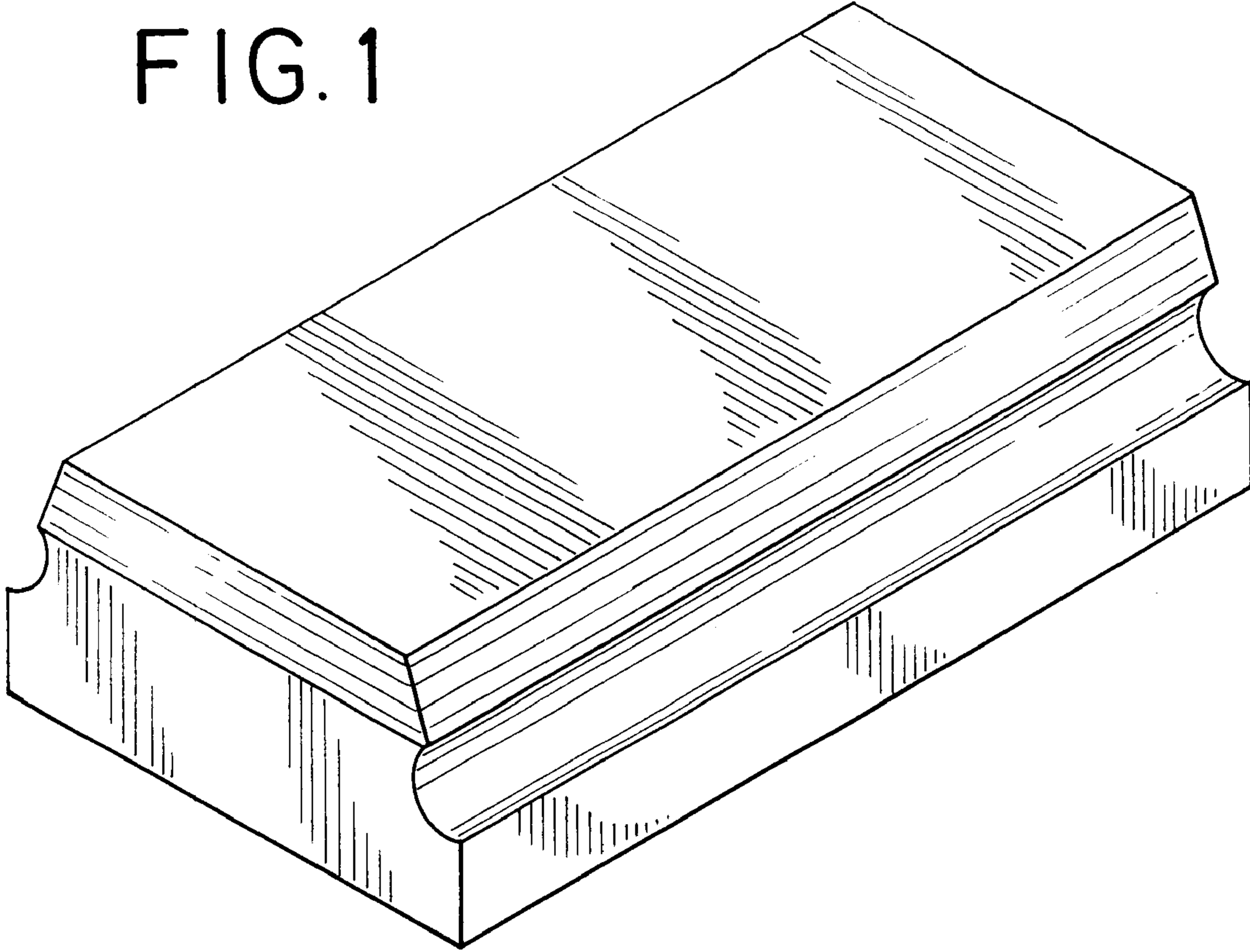


FIG. 2

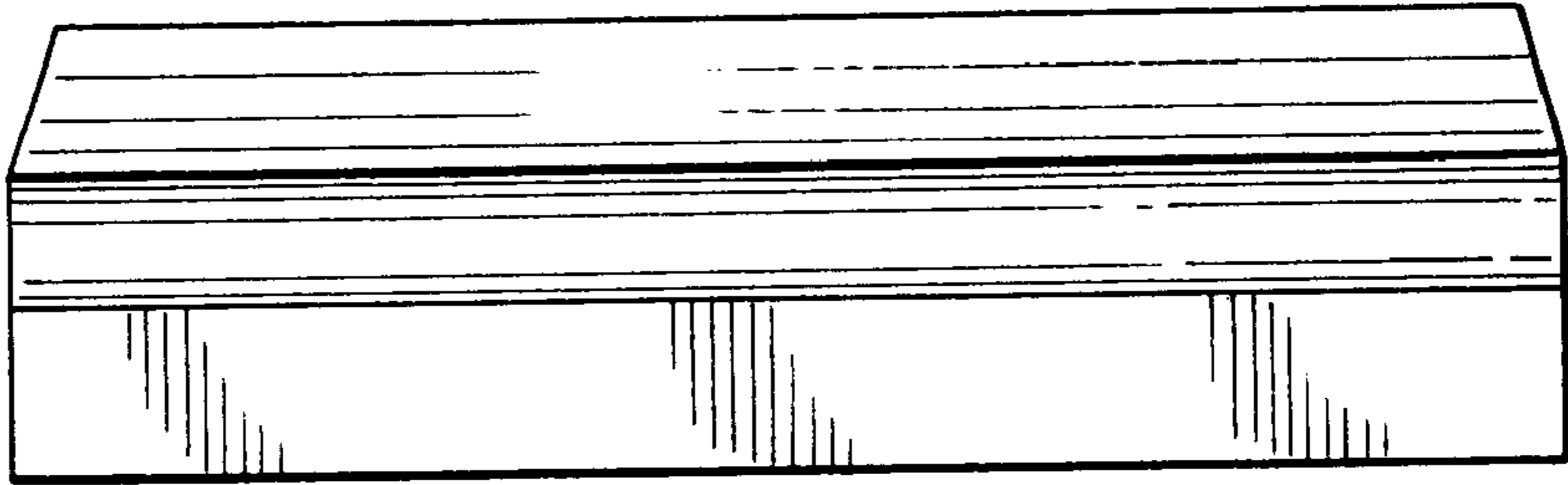


FIG. 3

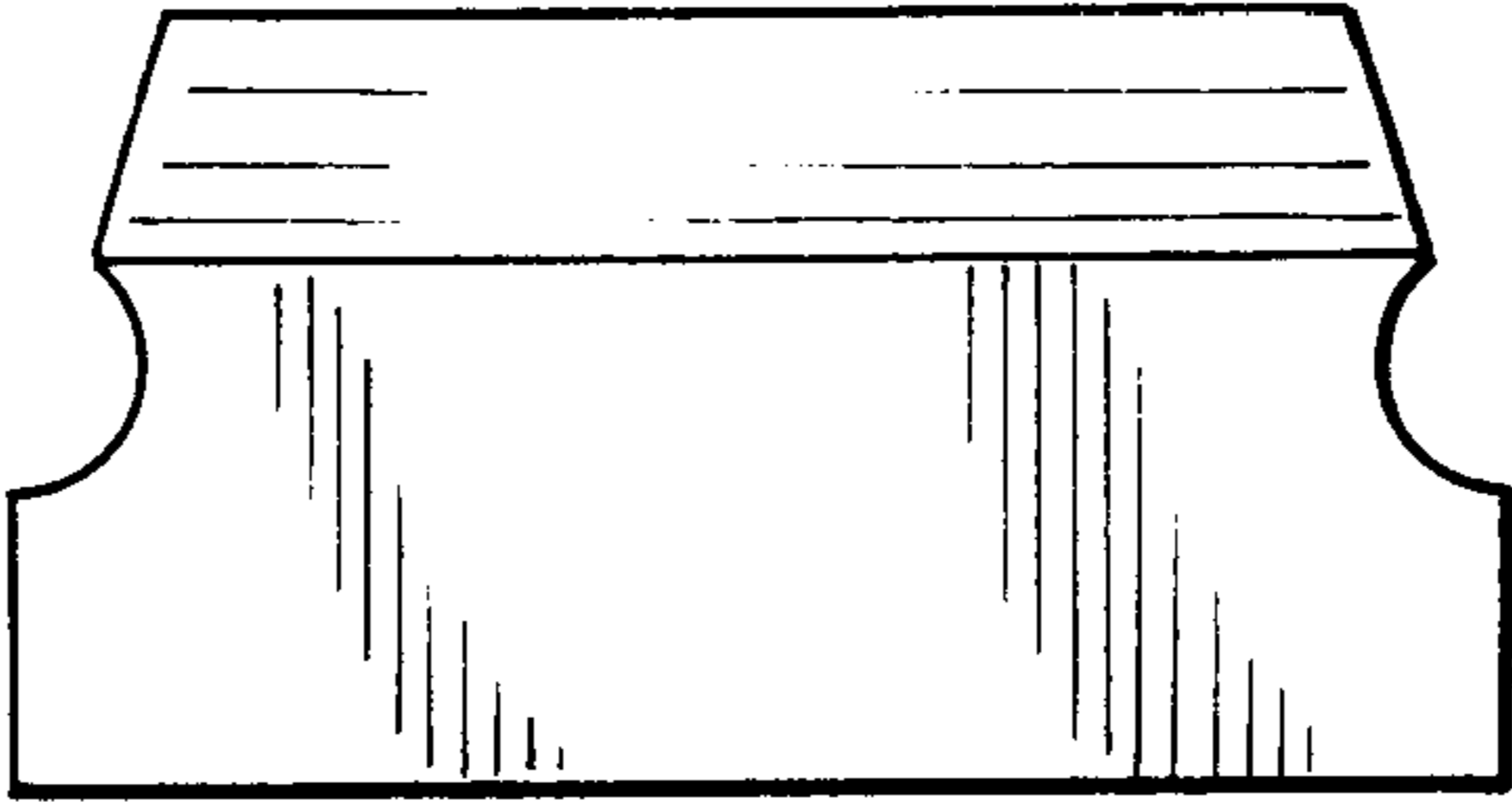


FIG. 4

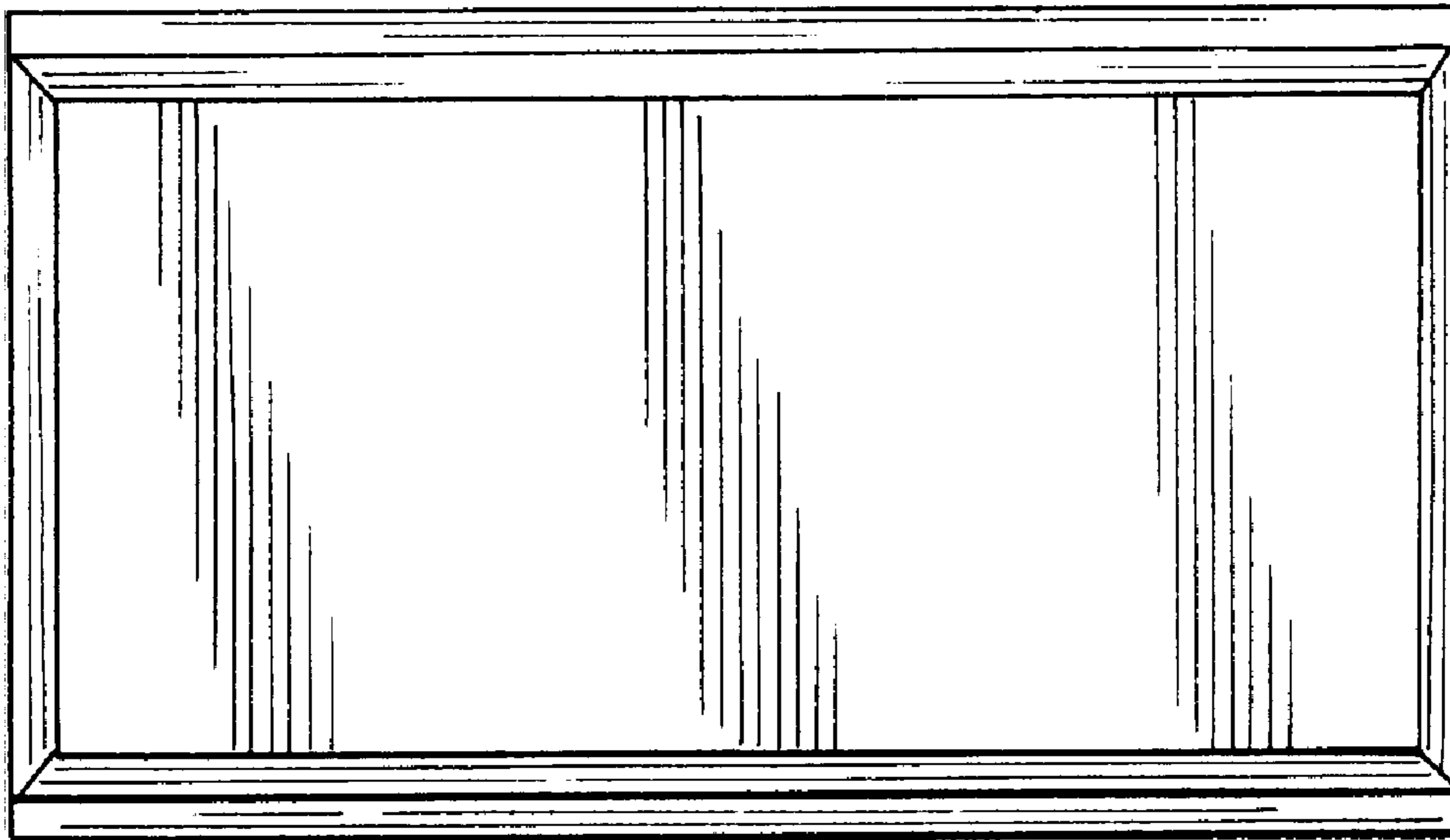


FIG. 5

