

US00D509722S

(12) **United States Design Patent** (10) **Patent No.:** **US D509,722 S**  
**Wikle et al.** (45) **Date of Patent:** **\*\* Sep. 20, 2005**

(54) **SANDER**  
 (75) **Inventors:** **David L. Wikle**, York, PA (US); **Stuart J. Wright**, Timonium, MD (US)

D497,297 S \* 10/2004 Wacker et al. .... D8/62  
 D498,399 S \* 11/2004 Wu ..... D8/62  
 2003/0037691 A1 \* 2/2003 Steele et al. .... 102/254  
 2005/0003748 A1 \* 1/2005 Dutterer et al. .... 451/357

(73) **Assignee:** **Black & Decker Inc.**, Newark, DE (US)

**OTHER PUBLICATIONS**

(\*\*) **Term:** **14 Years**

Web Image of Ridgid Model R2500.  
 Web Image of Bosch Model 1297 D, 2 pages.  
 Web Image of Makita Model BO4552, 2 pages.  
 Web Image of Makita Model BO4551 K, 2 pages.  
 Web Image of Makita Model BO4510, 2 pages.  
 Web Image of Ryobi Model S605D, 2 pages.  
 Web Image of Porter-Cable Model 340 K, 2 pages.

(21) **Appl. No.:** **29/209,673**

(22) **Filed:** **Jul. 20, 2004**

(51) **LOC (8) Cl.** ..... **08-01**

\* cited by examiner

(52) **U.S. Cl.** ..... **D8/62**

(58) **Field of Search** ..... D8/61, 62, 67,  
 D8/69; D32/15, 17, 19; 15/97.1; 173/170,  
 171; 310/50; 451/344, 351, 353, 354, 355,  
 356, 357, 358, 359, 451, 456

*Primary Examiner*—Joel A. Sincavage  
*Assistant Examiner*—Elizabeth Albert  
 (74) *Attorney, Agent, or Firm*—Michael P. Leary; Charles E. Ycoum; Adan Ayala

(56) **References Cited**

(57) **CLAIM**

**U.S. PATENT DOCUMENTS**

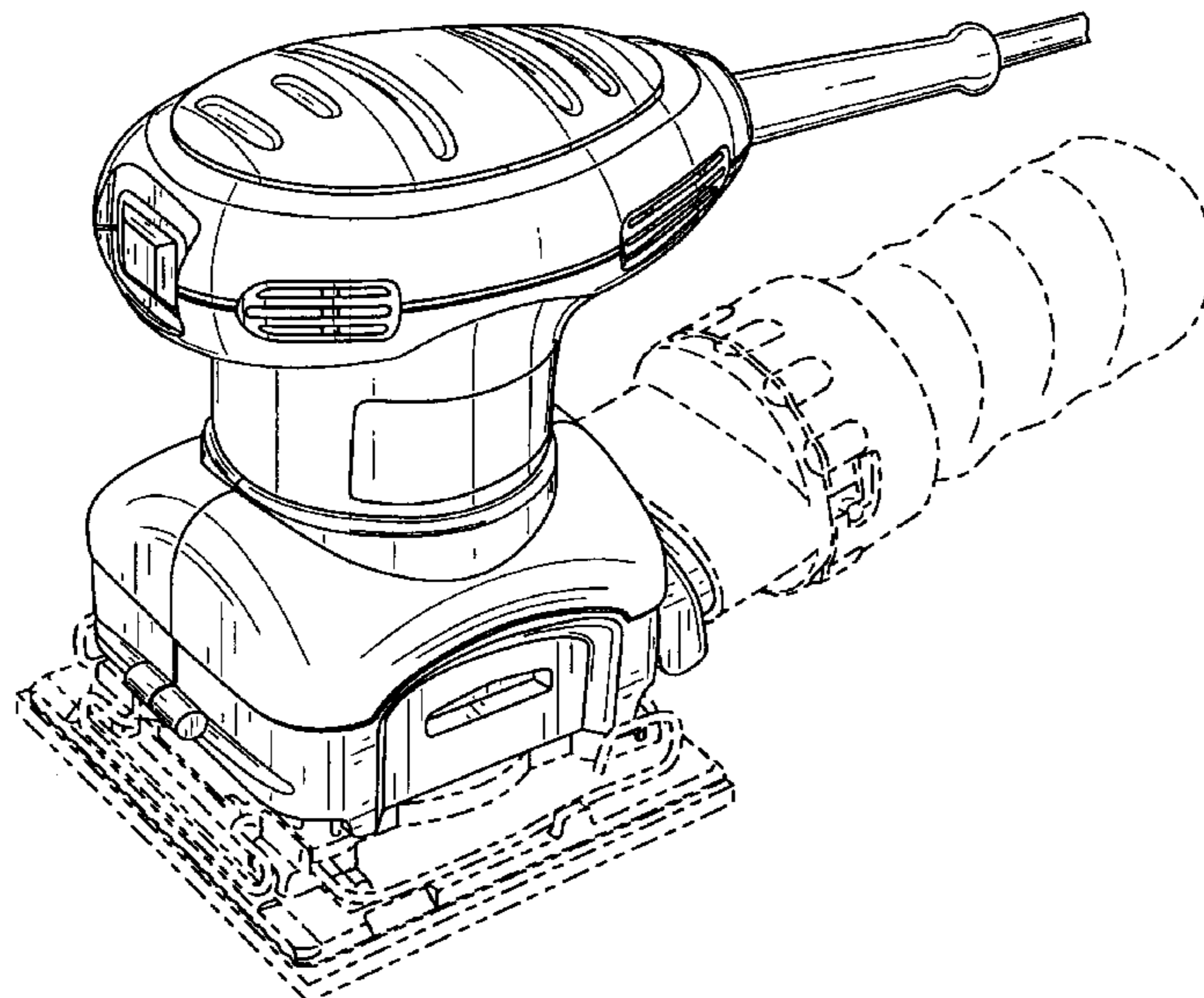
The ornamental design for a sander, as shown and described.

D310,007 S	8/1990	Saito et al.	
D317,244 S	6/1991	Bunyea	
D323,963 S	2/1992	Bunyea	
D326,398 S	5/1992	Fushiya et al.	
D329,362 S	* 9/1992	Saito et al. ....	D8/62
D345,089 S	3/1994	Kikuchi et al.	
D352,437 S	11/1994	Chunn et al.	
D376,304 S	12/1996	Clowers et al.	
D386,376 S	* 11/1997	Kaneko et al. ....	D8/62
D392,861 S	3/1998	Gildersleeve et al.	
D408,245 S	4/1999	Evans et al.	
D448,262 S	9/2001	Huen	
D468,178 S	1/2003	Wright et al.	
D468,608 S	1/2003	Wacker et al.	
D476,543 S	7/2003	Wu	
D478,488 S	8/2003	Bruno et al.	

**DESCRIPTION**

FIG. 1 is a perspective view of a sander showing our new design.  
 FIG. 2 is a front view of the sander shown in FIG. 1.  
 FIG. 3 is a rear view of the sander shown in FIG. 1.  
 FIG. 4 is a right side view of the sander shown in FIG. 1.  
 FIG. 5 is a left side view of the sander shown in FIG. 1.  
 FIG. 6 is a top view of the sander shown in FIG. 1; and,  
 FIG. 7 is a bottom view of the sander shown in FIG. 1.  
 The broken lines are included for the purpose of illustrating portions of the sander, platen and dust box that form no part of the claimed design.

**1 Claim, 7 Drawing Sheets**



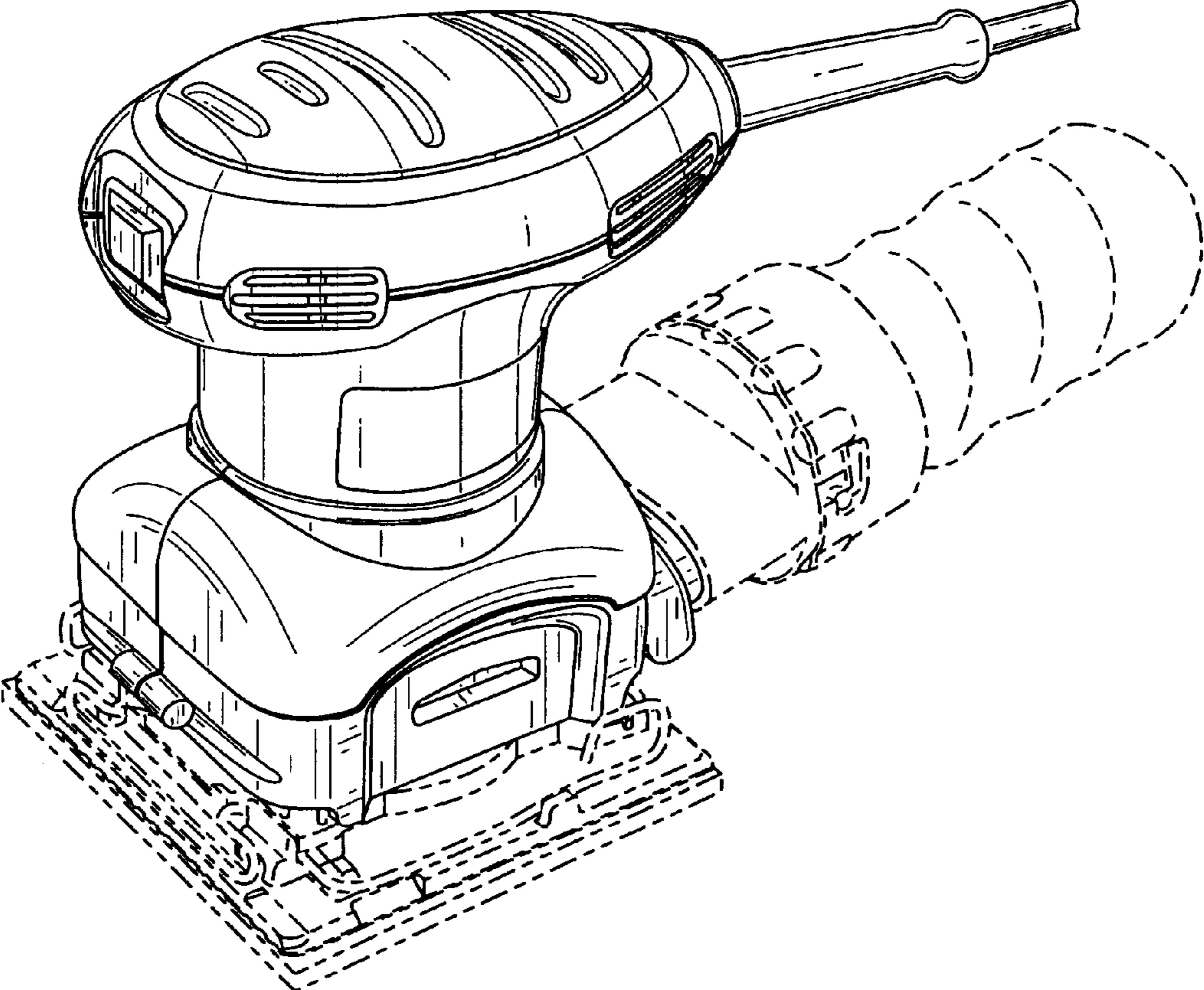


FIG. 1

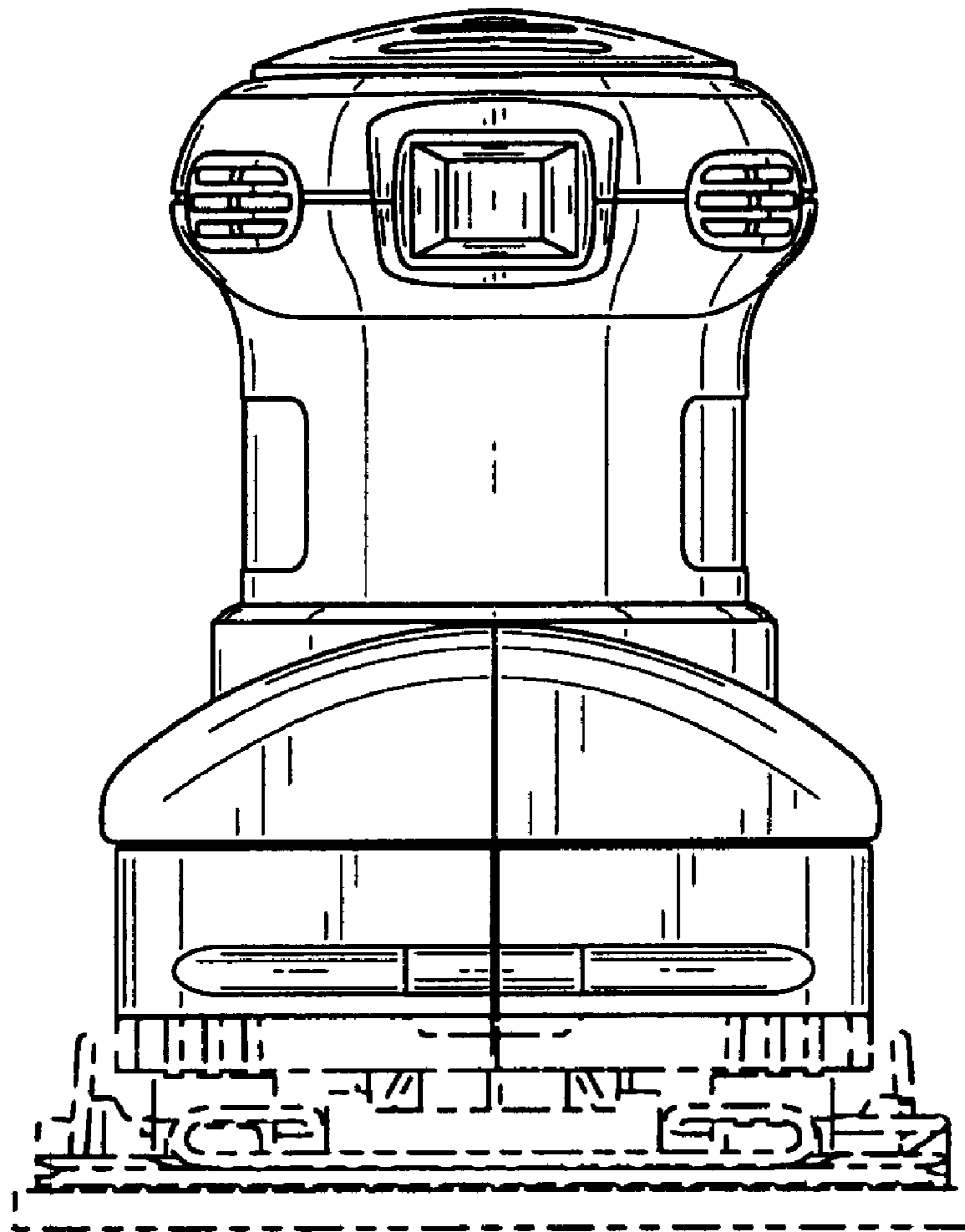


FIG. 2

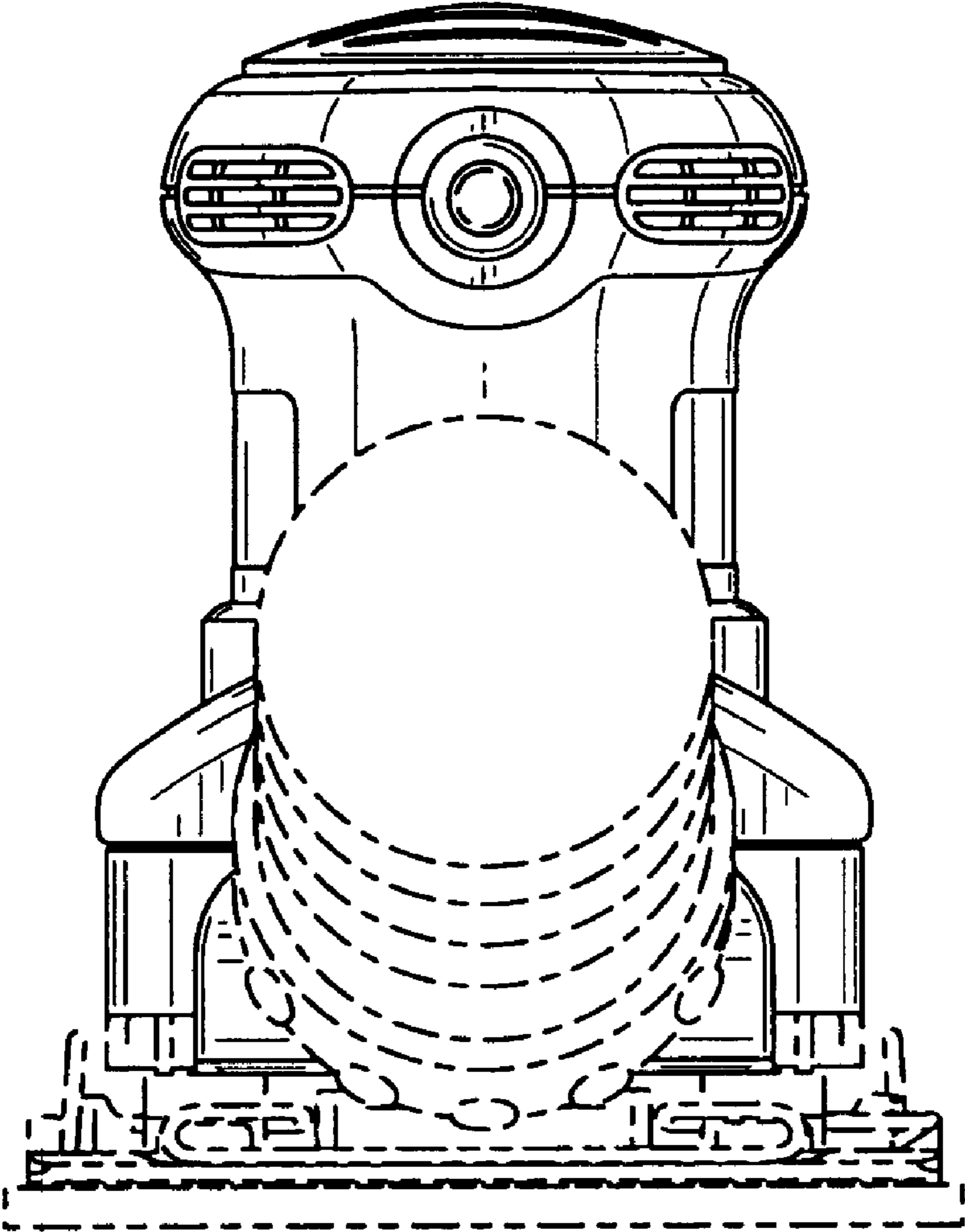


FIG. 3

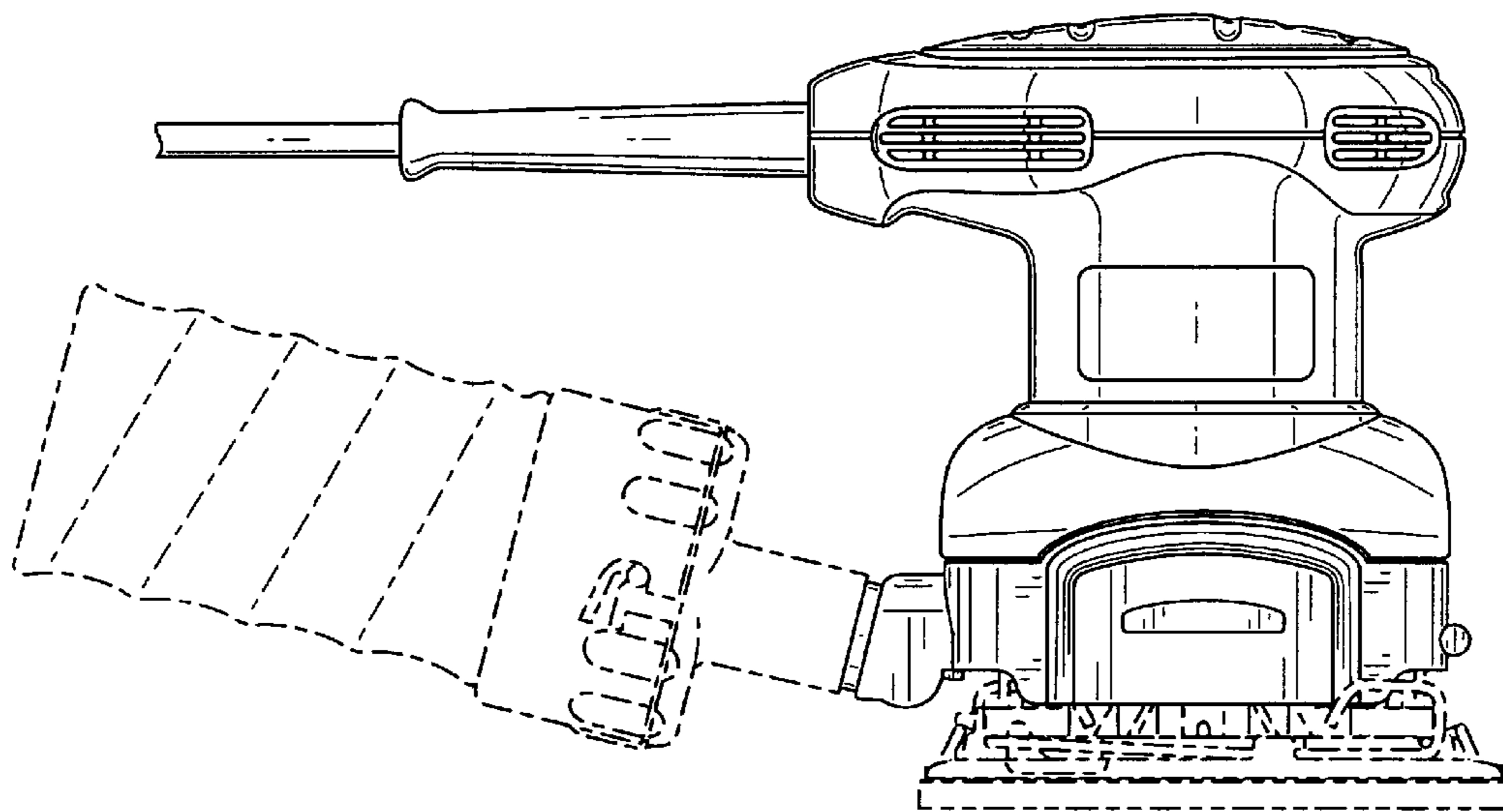


FIG. 4

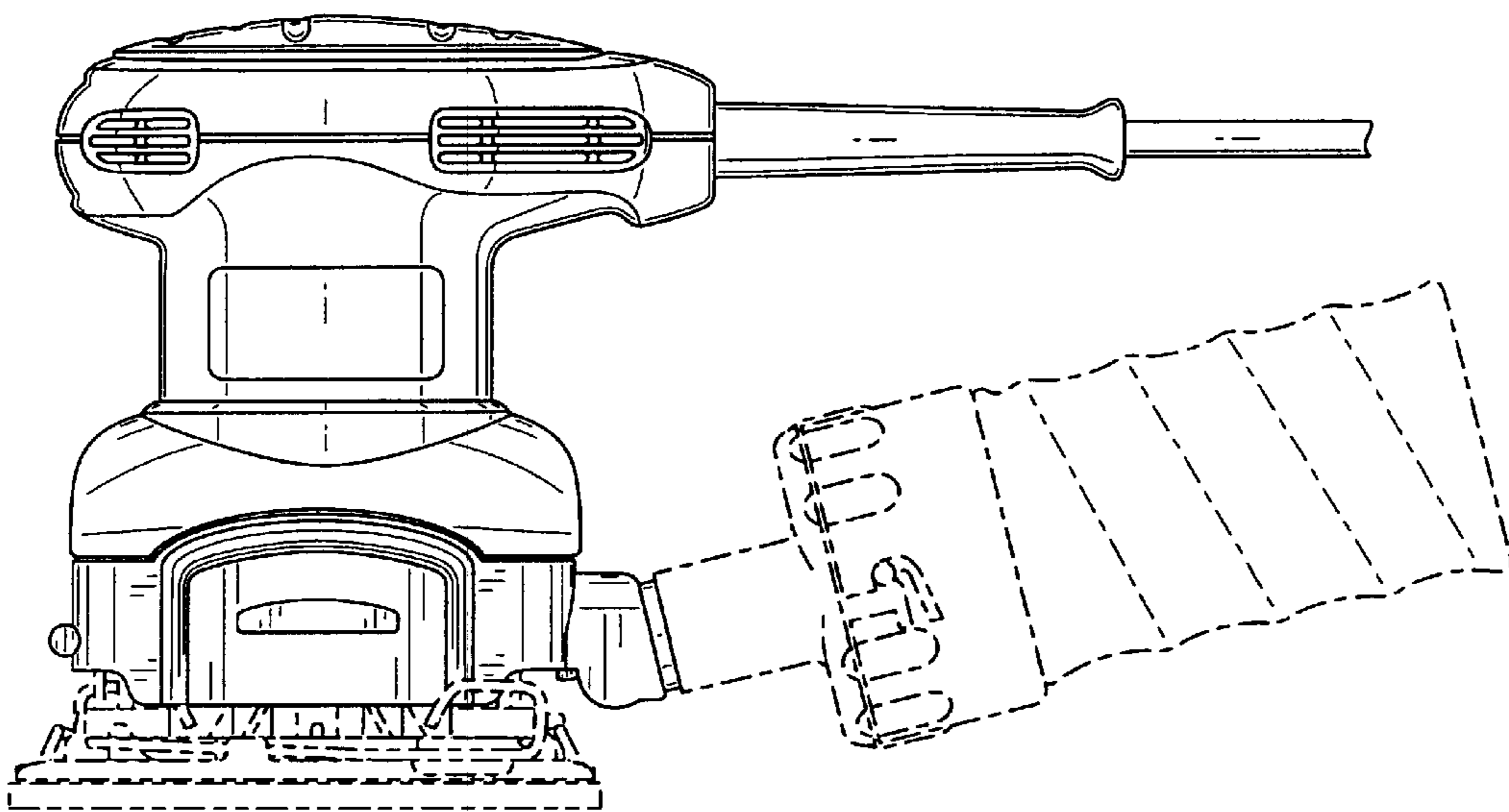


FIG. 5

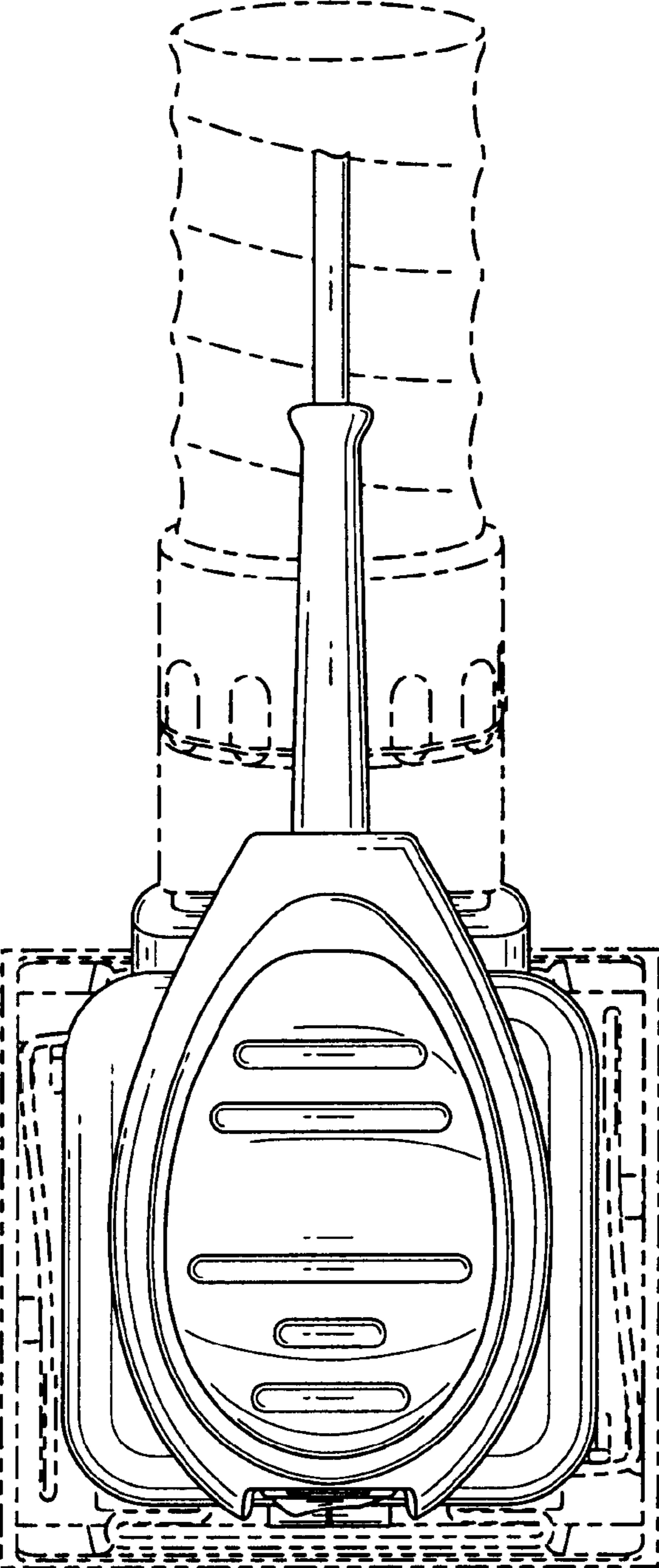


FIG. 6

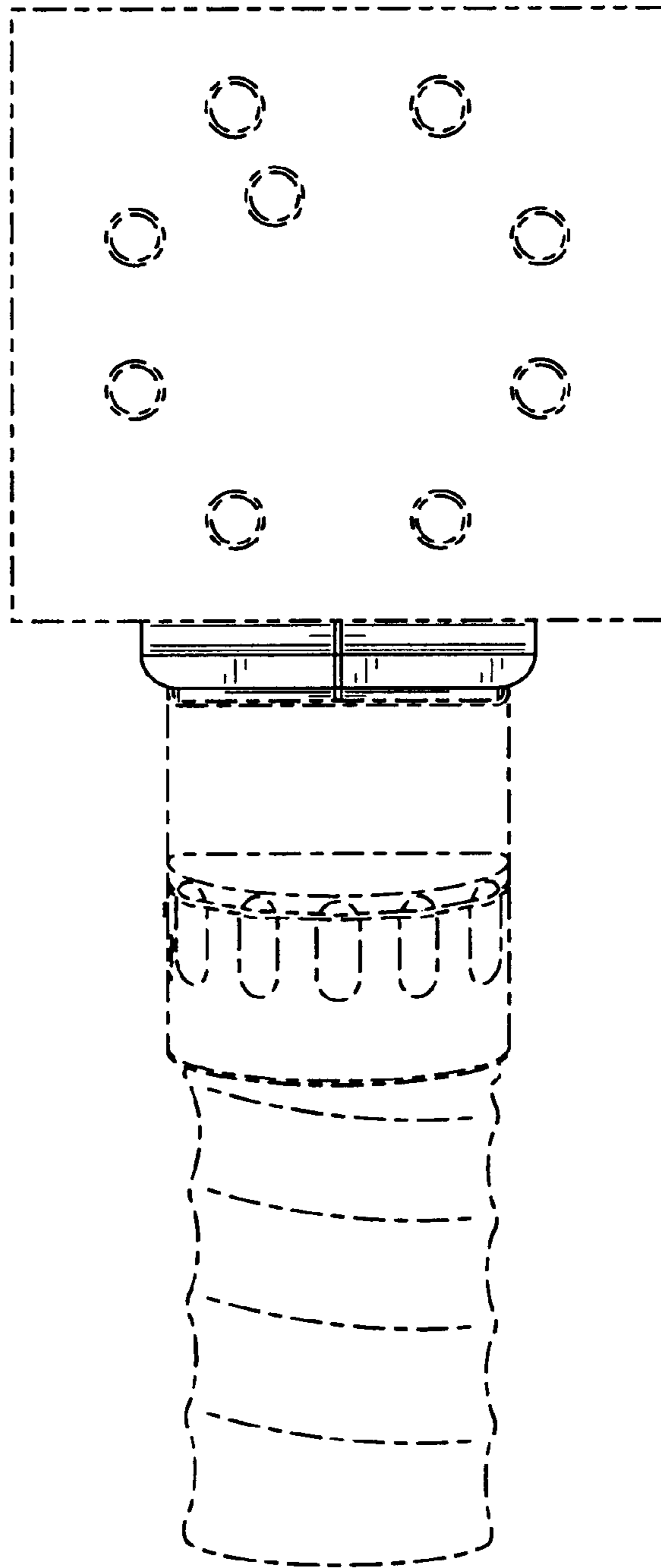


FIG. 7