



US00D509719S

(12) **United States Design Patent**  
**Chu**

(10) **Patent No.:** **US D509,719 S**  
(45) **Date of Patent:** **\*\* Sep. 20, 2005**

(54) **ROTARY DRIVING TOOL**

(75) **Inventor:** **Vincent Yiu Tak Chu, Kowloon (CN)**

(73) **Assignee:** **Choon Nang Electrical Appliance Mfy., Ltd., Aberdeen (HK)**

(\*\*) **Term:** **14 Years**

(21) **Appl. No.:** **29/209,054**

(22) **Filed:** **Jul. 9, 2004**

(30) **Foreign Application Priority Data**

Jun. 11, 2004 (EM) ..... 000188644

(51) **LOC (8) Cl.** ..... **08-05**

(52) **U.S. Cl.** ..... **D8/61**

(58) **Field of Search** ..... D8/61, 62, 70;  
81/54, 57.11, 57.13, 57.14, 57.29, 57.39,  
177.1, 429, 469; 173/168, 169, 170, 182,  
216, 217, 221; 310/47, 50

(56) **References Cited**

**U.S. PATENT DOCUMENTS**

3,352,368 A \* 11/1967 Maffey, Jr. .... 173/169  
D325,857 S \* 5/1992 Hasegawa et al. .... D8/61  
D378,727 S \* 4/1997 Kikuchi ..... D8/61  
D404,626 S \* 1/1999 Hall et al. .... D8/68

D412,273 S \* 7/1999 Chung ..... D8/62  
D414,668 S \* 10/1999 Duennes et al. .... D8/68  
D427,038 S \* 6/2000 Lin ..... D8/61  
D437,758 S \* 2/2001 Heun ..... D8/61  
D443,491 S \* 6/2001 Robson ..... D8/61  
D446,431 S \* 8/2001 Lui ..... D8/61  
D446,432 S \* 8/2001 Heun ..... D8/61  
D486,713 S \* 2/2004 Lai ..... D8/68

\* cited by examiner

*Primary Examiner*—Joel A. Sincavage

*Assistant Examiner*—Elizabeth Albert

(74) *Attorney, Agent, or Firm*—Alix, Yale & Ristas, LLP

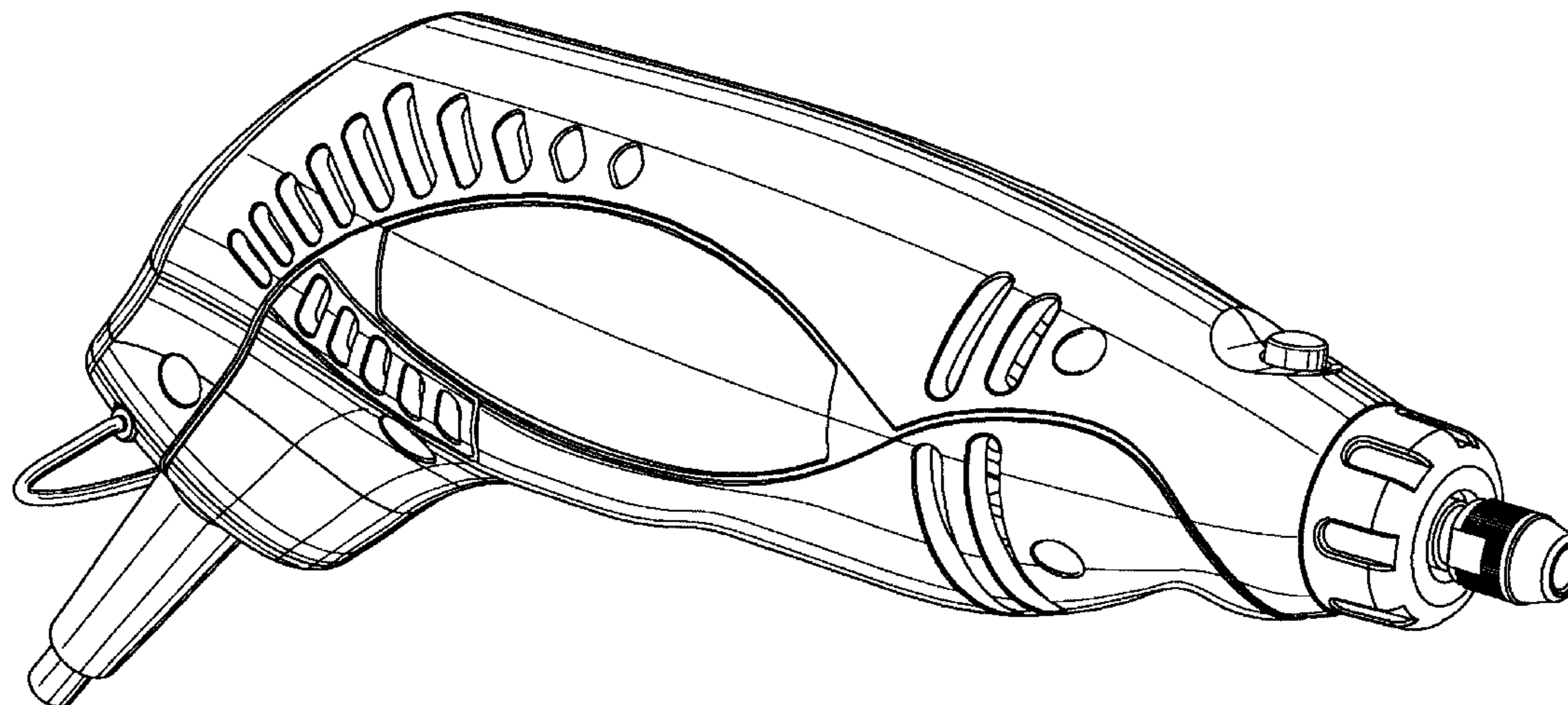
(57) **CLAIM**

The ornamental design for a rotary driving tool, as shown and described.

**DESCRIPTION**

FIG. 1 is a front end, right side and top perspective view of a rotary driving tool showing my new design; FIG. 2 is a right side elevational view thereof; FIG. 3 is a left side elevational view thereof; FIG. 4 is a top plan view thereof; FIG. 5 is a bottom plan view thereof; FIG. 6 is a front end elevational thereof; and, FIG. 7 is a rear end elevational view thereof.

**1 Claim, 6 Drawing Sheets**



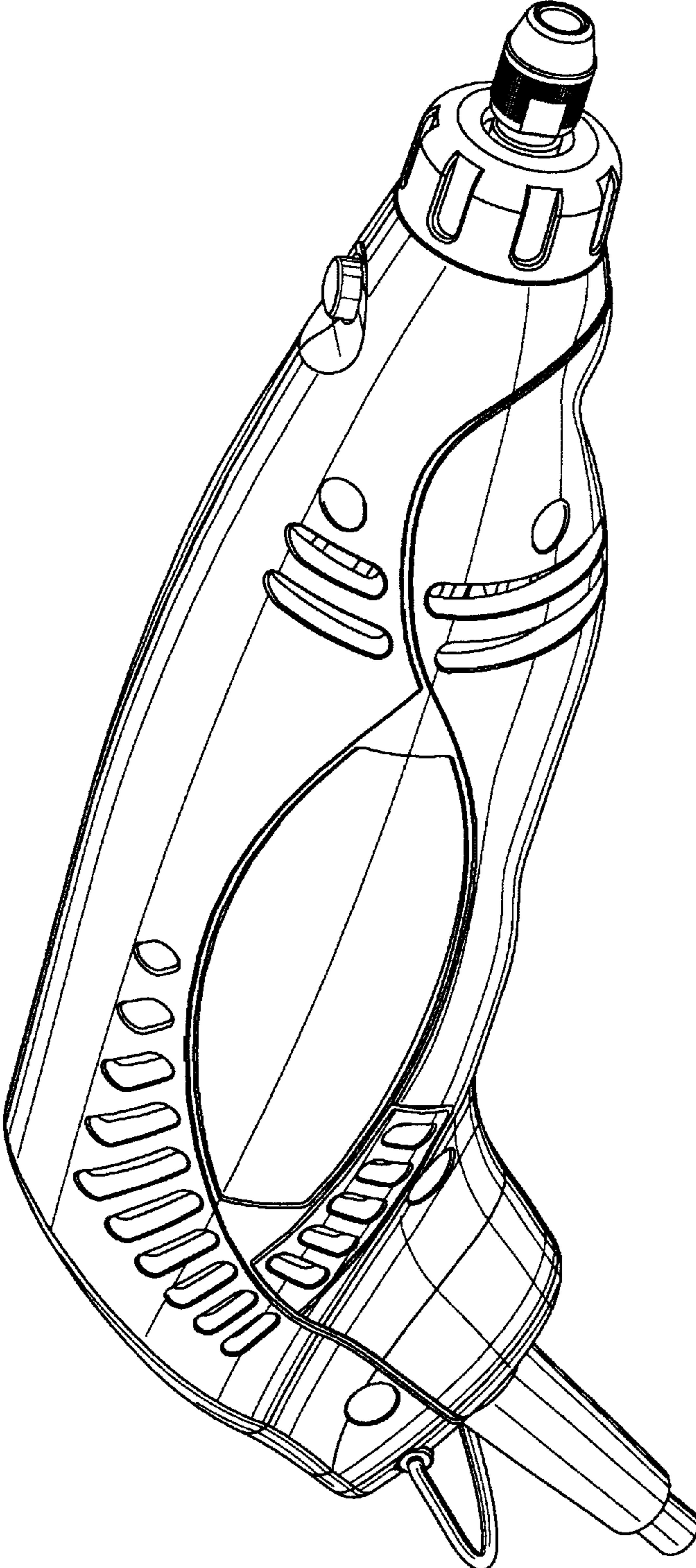


FIG. 1

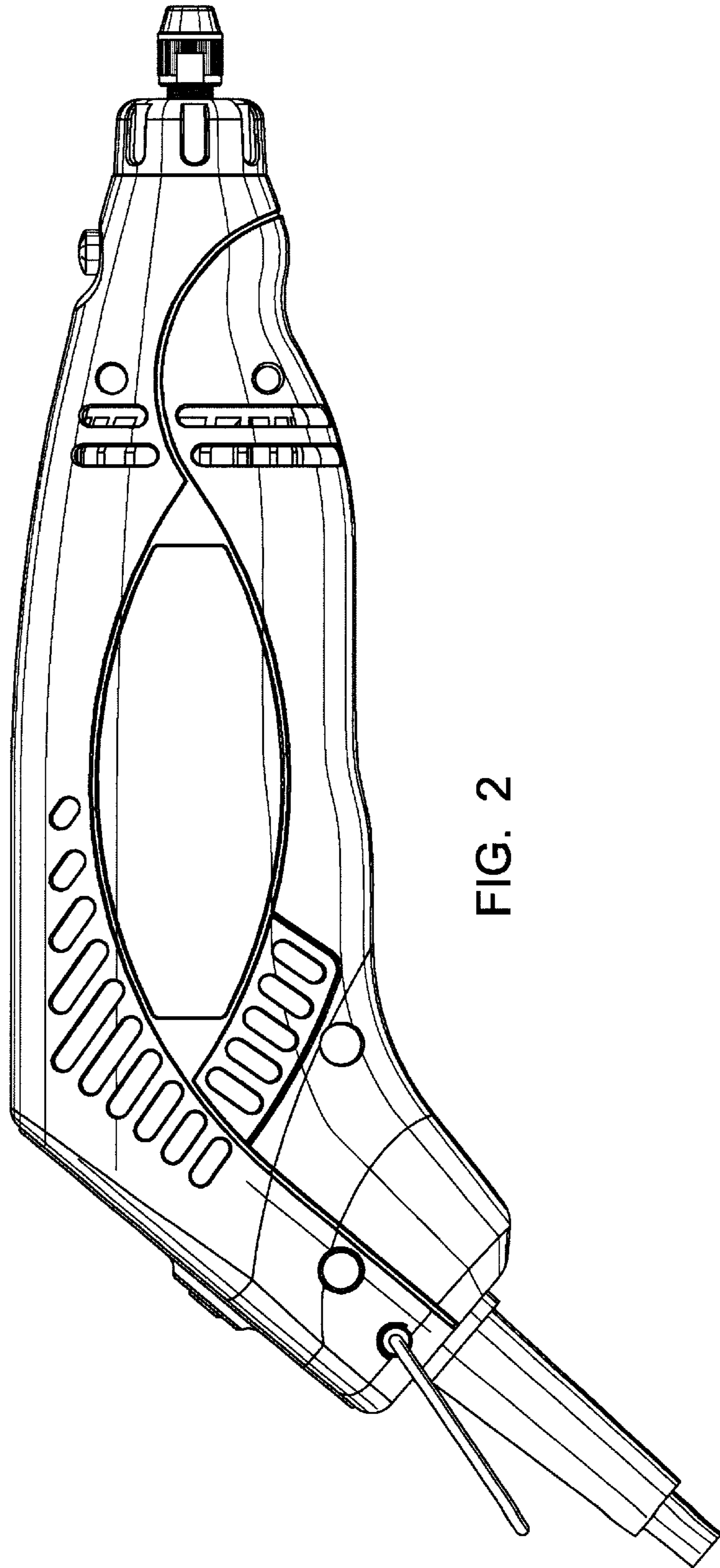


FIG. 2

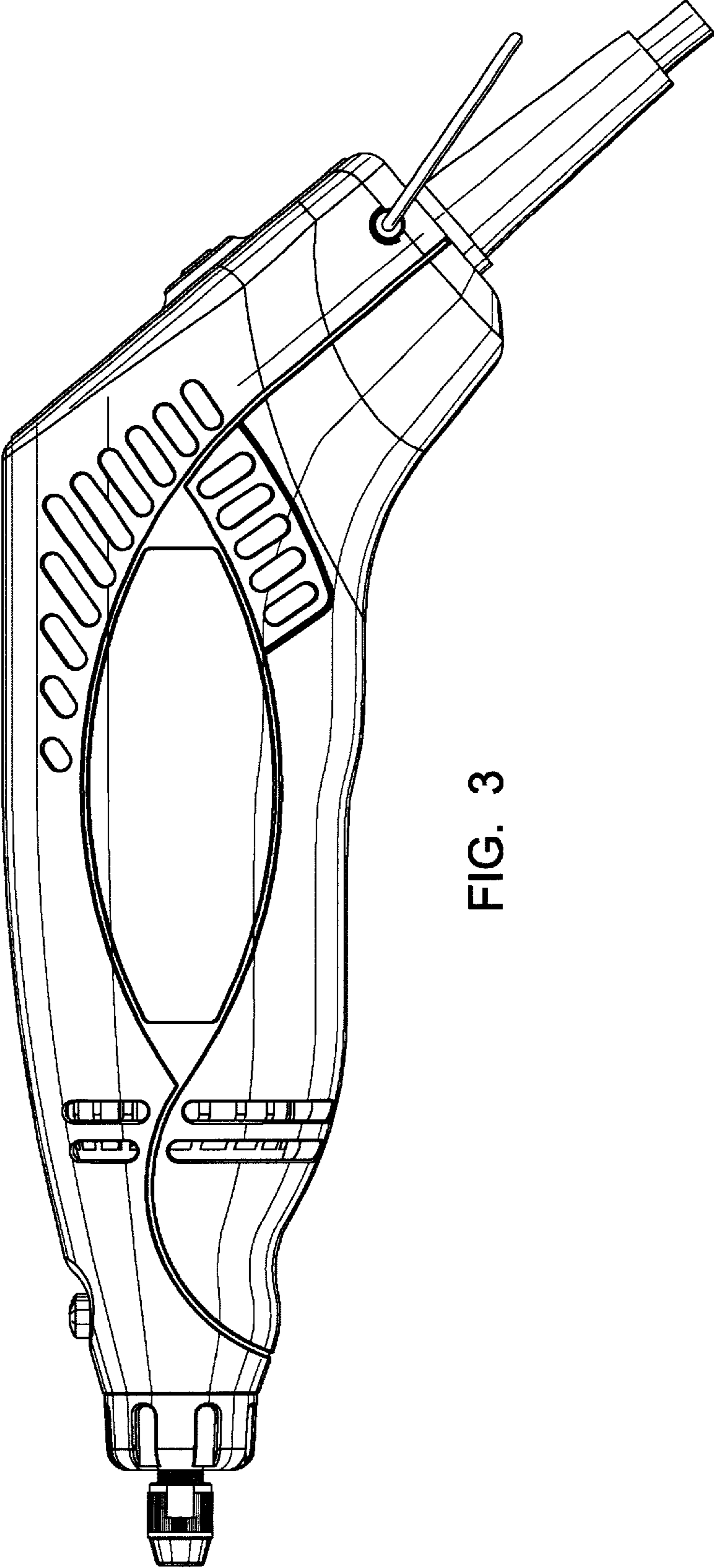


FIG. 3

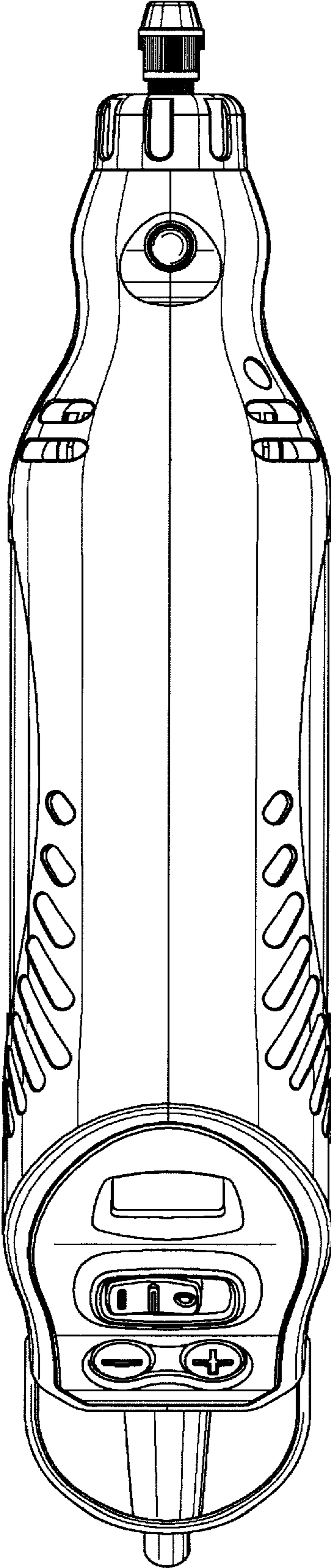


FIG. 4

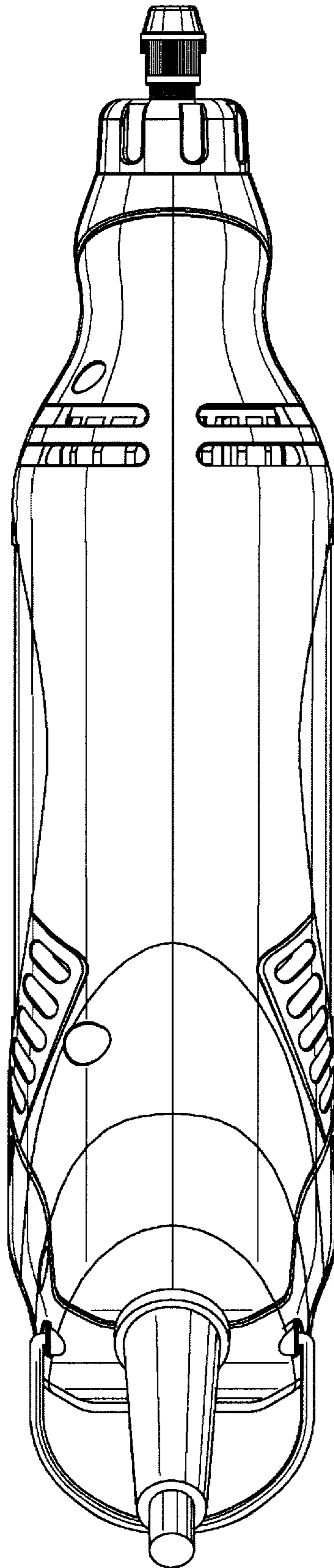


FIG. 5

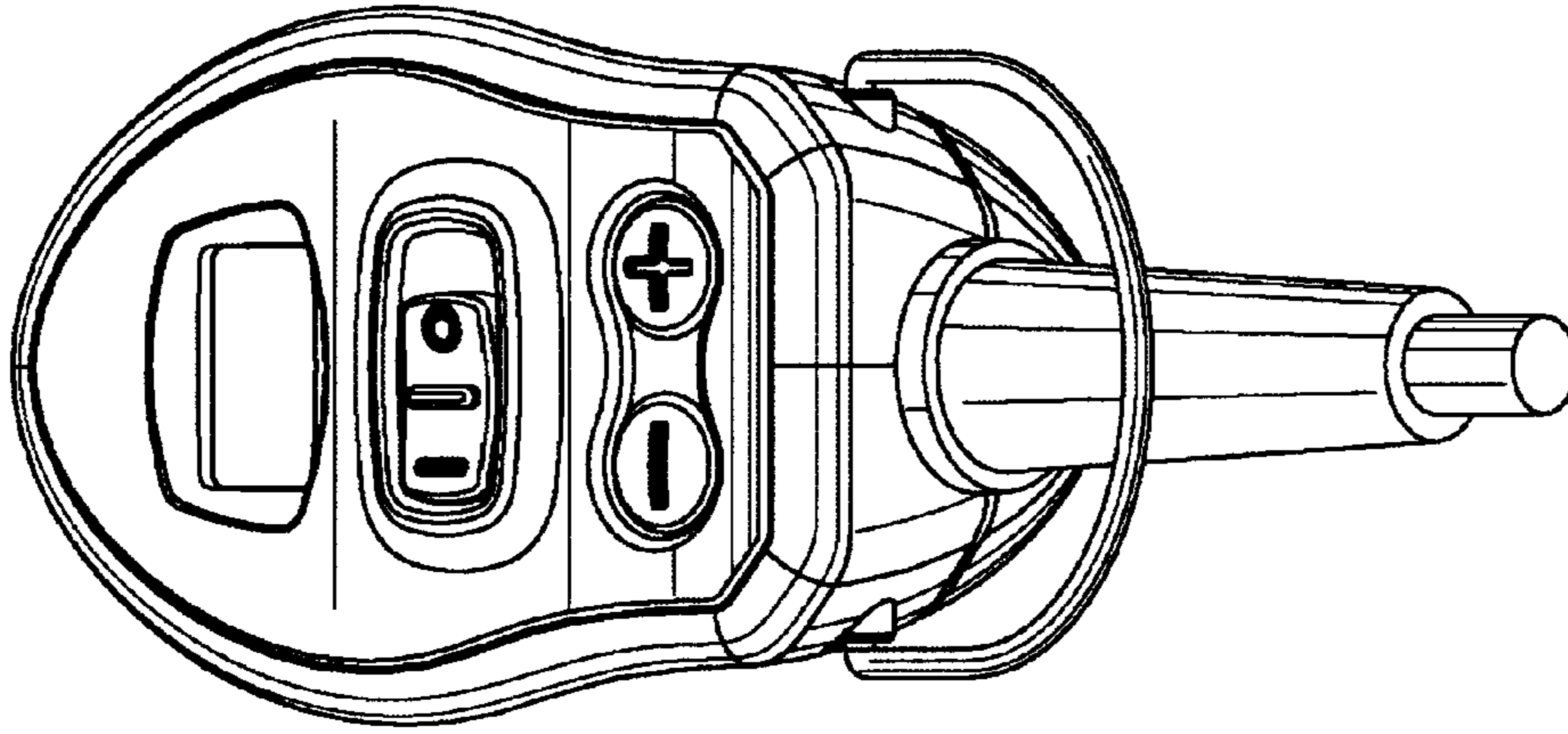


FIG. 7

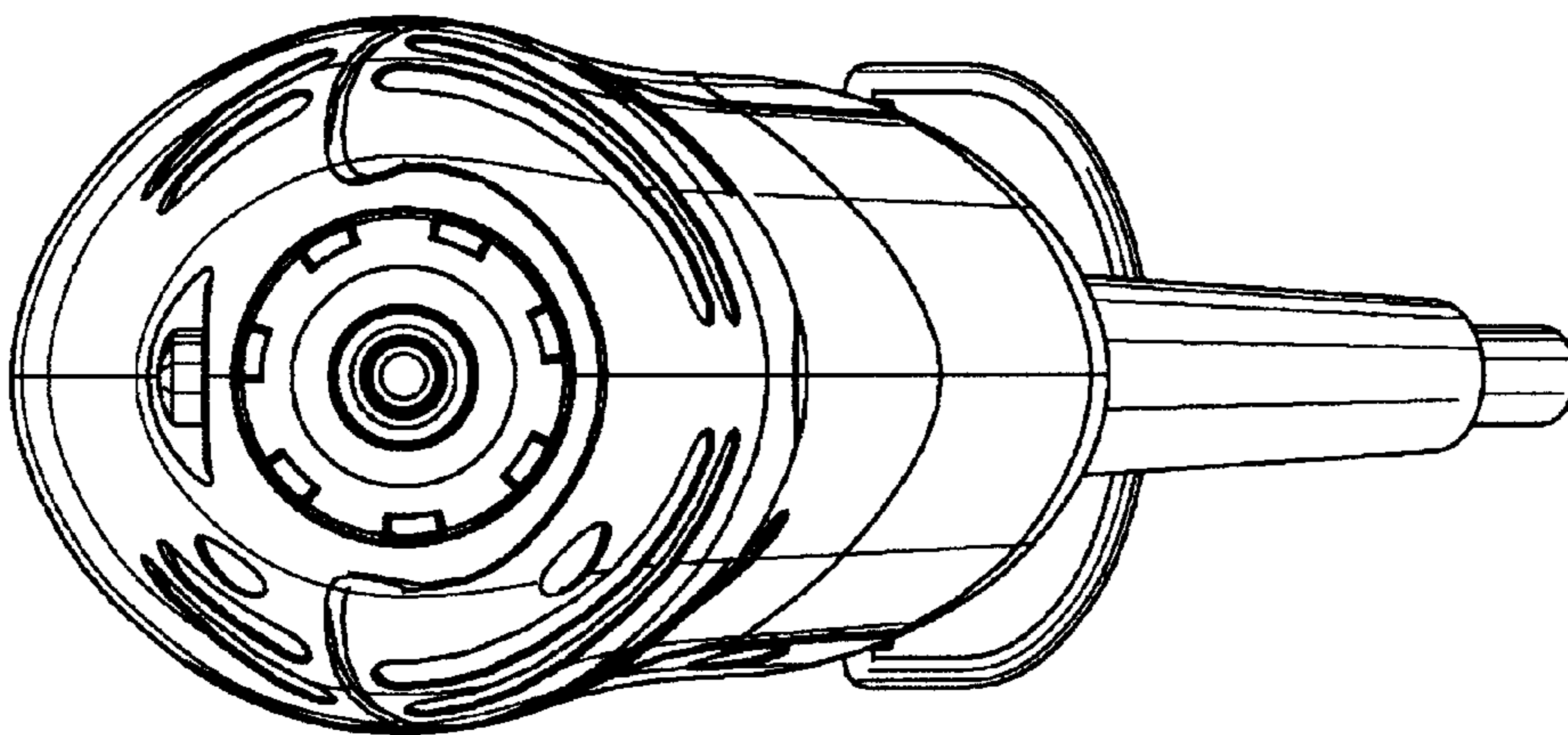


FIG. 6