

US00D509717S

(12) **United States Design Patent**  
**Folkenroth et al.**

(10) **Patent No.:** **US D509,717 S**  
(45) **Date of Patent:** **\*\* Sep. 20, 2005**

(54) **RATCHET WRENCH BODY**  
(75) Inventors: **Richard P. Folkenroth**, York, PA (US);  
**Robert L. Arnold**, Wrightsville, PA  
(US)

4,903,554 A 2/1990 Colvin ..... 81/63  
4,986,147 A 1/1991 Cooper ..... 81/63.2  
5,012,705 A 5/1991 Chow ..... 81/63  
D326,985 S 6/1992 Chow ..... D8/25

(Continued)

(73) Assignee: **Easco Hand Tools, Inc.**, Simsbury, CT  
(US)

**FOREIGN PATENT DOCUMENTS**

GB 1559093 1/1980 ..... B25B/13/46

(\*\*) **Term:** **14 Years**

**OTHER PUBLICATIONS**

(21) Appl. No.: **29/168,275**

Armstrong Eliminator Brochure (color copy), Feb., 2000.  
Armstrong Industrial Hand Tools Brochure (color copy),  
1998.

(22) Filed: **Sep. 9, 2003**

Easco Hand Tools, Inc. Promotional Literature, published  
late 1980's.

**Related U.S. Application Data**

(63) Continuation of application No. 29/172,571, filed on Dec.  
12, 2002, which is a continuation of application No. 29/159,  
345, filed on Apr. 18, 2002, now abandoned.

*Primary Examiner*—Raphael Barkai

(74) *Attorney, Agent, or Firm*—Nelson Mullins Riley &  
Scarborough, L.L.P.

(51) **LOC (8) Cl.** ..... **08-05**

(52) **U.S. Cl.** ..... **D8/25**

(58) **Field of Search** ..... D8/21–29; 81/60–63.2,  
81/177.1, 177.85, 177.2

(57) **CLAIM**

The ornamental design of a ratchet wrench body, substan-  
tially as shown and described.

(56) **References Cited**

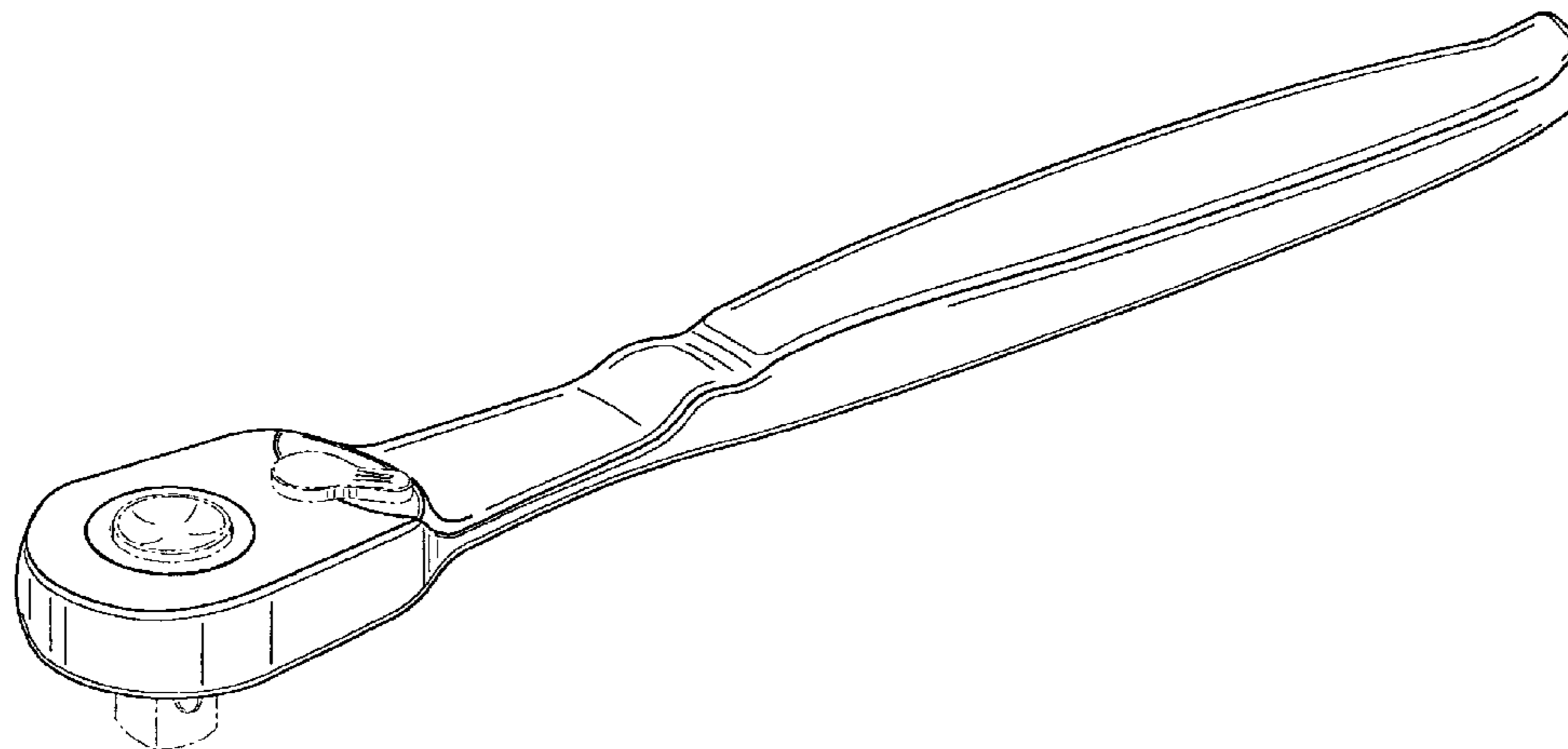
**DESCRIPTION**

**U.S. PATENT DOCUMENTS**

1,957,462 A 5/1934 Kress ..... 81/63  
2,657,604 A 11/1953 Rueb ..... 81/63.2  
2,701,977 A 2/1955 Stone ..... 81/63.2  
2,957,377 A 10/1960 Hare ..... 81/63.2  
3,019,682 A 2/1962 Hare ..... 81/63.2  
3,250,157 A 5/1966 Badger ..... 81/63  
3,337,014 A 8/1967 Sandrick ..... 192/43.1  
3,393,587 A 7/1968 Jolliff ..... 81/63.2  
3,393,780 A 7/1968 Kilness ..... 192/43.2  
3,436,992 A 4/1969 Over et al. .... 81/63.1  
3,713,356 A 1/1973 Knudsen ..... 81/177.6  
3,970,155 A 7/1976 Otto  
4,053,037 A 10/1977 Solomon ..... 192/43.1  
4,257,507 A 3/1981 Solomon ..... 192/43.1  
4,420,995 A 12/1983 Roberts ..... 81/60  
4,762,033 A 8/1988 Chow ..... 81/63.2  
D300,296 S 3/1989 Krapowicz et al. .... D8/25

FIG. 1 is a perspective view of a ratchet wrench body  
embodying the design of the present invention, a ratchet  
mechanism and reversing lever being illustrated in phantom.  
FIG. 2 is a right side elevational view of the ratchet wrench  
body illustrated in FIG. 1.  
FIG. 3 is a left side elevational view of the ratchet wrench  
body shown in FIG. 1.  
FIG. 4 is a top view of the ratchet wrench body shown in  
FIG. 1.  
FIG. 5 is a bottom view of the ratchet wrench body shown  
in FIG. 1.  
FIG. 6 is a front side elevational view of the ratchet wrench  
body illustrated in FIG. 1; and,  
FIG. 7 is a back side elevational view of the ratchet wrench  
body illustrated in FIG. 1.

**1 Claim, 3 Drawing Sheets**

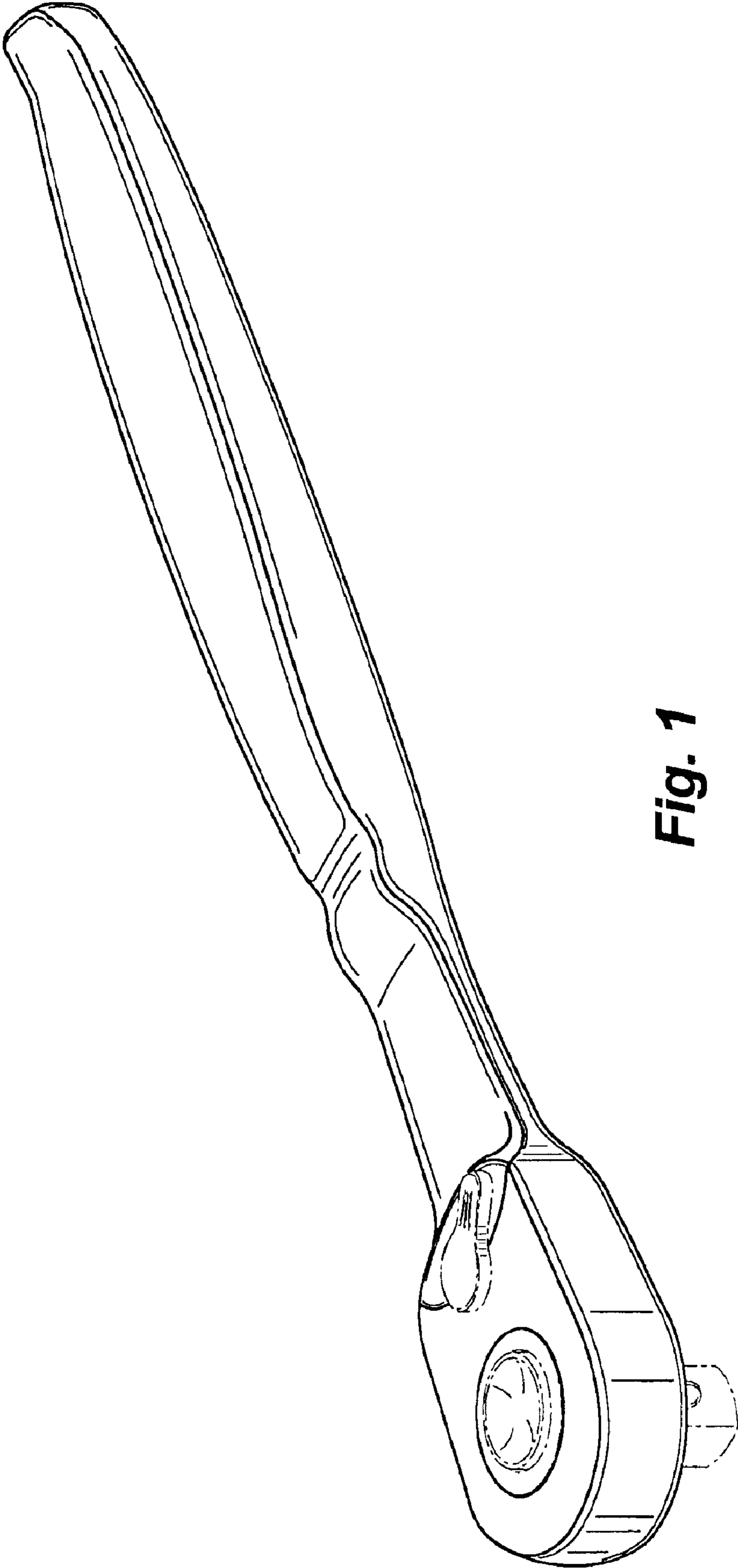


# US D509,717 S

Page 2

## U.S. PATENT DOCUMENTS

5,178,047 A	1/1993	Arnold et al. ....	81/63.2	D417,373 S	12/1999	Neyton et al. ....	D8/25
5,199,330 A	4/1993	Arnold et al. ....	81/63.2	6,000,302 A	12/1999	Chiang .....	81/177.8
5,199,335 A	4/1993	Arnold et al. ....	81/177.8	D423,891 S	5/2000	Melvin et al. ....	D8/25
D340,628 S	10/1993	Chow .....	D8/25	6,065,374 A	5/2000	Taggart .....	81/63.2
5,295,422 A	3/1994	Chow .....	81/124.3	6,125,722 A	10/2000	Hopper, Jr. et al. ....	81/63
5,347,892 A	9/1994	Moetteli .....	81/177.85	6,151,993 A	11/2000	Shiao .....	81/60
D361,484 S	8/1995	Whitley .....	D8/25	6,161,454 A	12/2000	Chaconas .....	81/63.2
5,626,061 A	5/1997	Whitley .....	81/63	6,164,167 A	12/2000	Chen .....	81/63.2
5,636,557 A	6/1997	Ma .....	81/60	D439,480 S	3/2001	Hsu .....	D8/25
5,782,147 A	7/1998	Chaconas et al. ....	81/63.1	6,216,565 B1	4/2001	McCann .....	81/177.8
5,794,496 A	8/1998	Arnold .....	81/63.2	6,216,567 B1	4/2001	Hu .....	81/177.9
5,842,391 A	12/1998	Chaconas .....	81/60	6,230,591 B1	5/2001	Ling et al. ....	81/63
5,857,390 A	1/1999	Whiteford .....	81/62	6,257,096 B1	7/2001	Ling .....	81/60
5,910,197 A	6/1999	Chaconas .....	81/124.6	6,260,448 B1	7/2001	Chaconas .....	81/63
5,913,954 A	6/1999	Arnold et al. ....	81/63.2	6,282,992 B1	9/2001	Hu .....	81/63.2
5,941,141 A	8/1999	Whitley .....	81/63.1	6,435,062 B1	8/2002	McCann .....	81/63
5,964,129 A	10/1999	Shiao .....	81/63.2	6,457,387 B1	10/2002	Hu .....	81/63.2
				6,477,759 B2	11/2002	Hu .....	29/527.2



**Fig. 1**



Fig. 2



Fig. 3

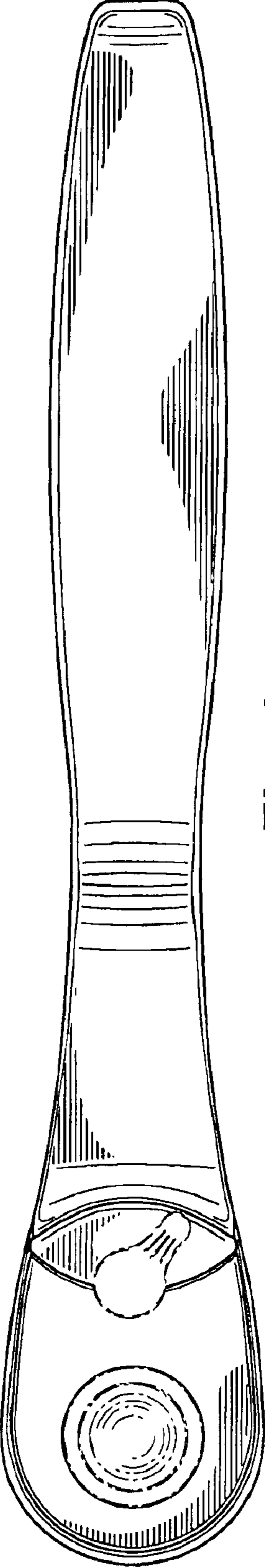
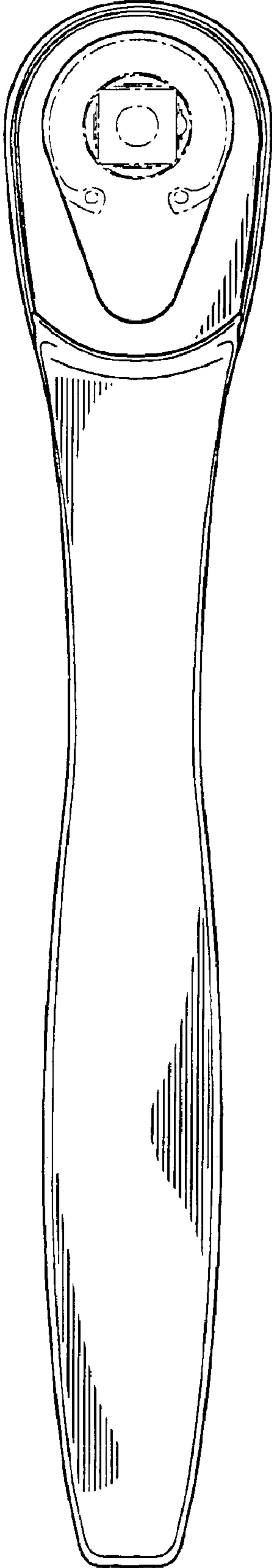
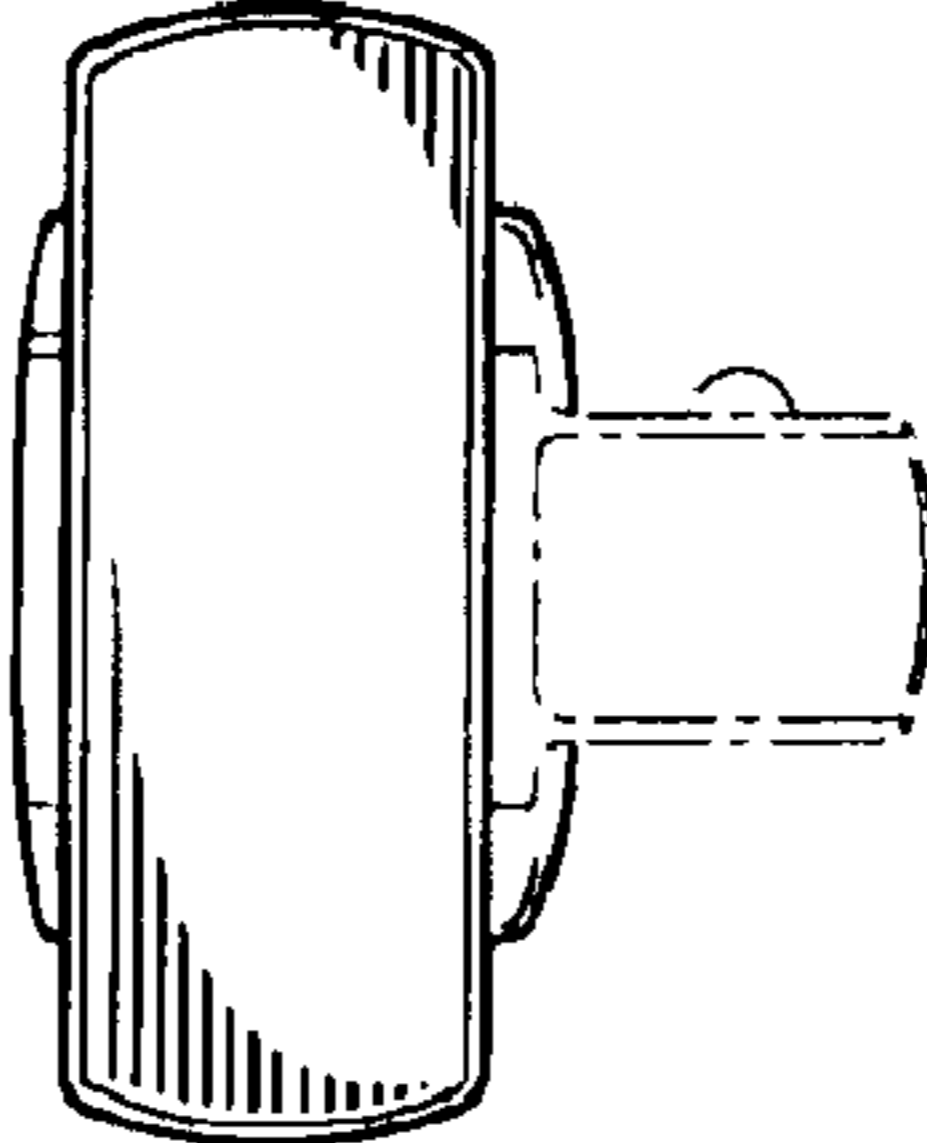


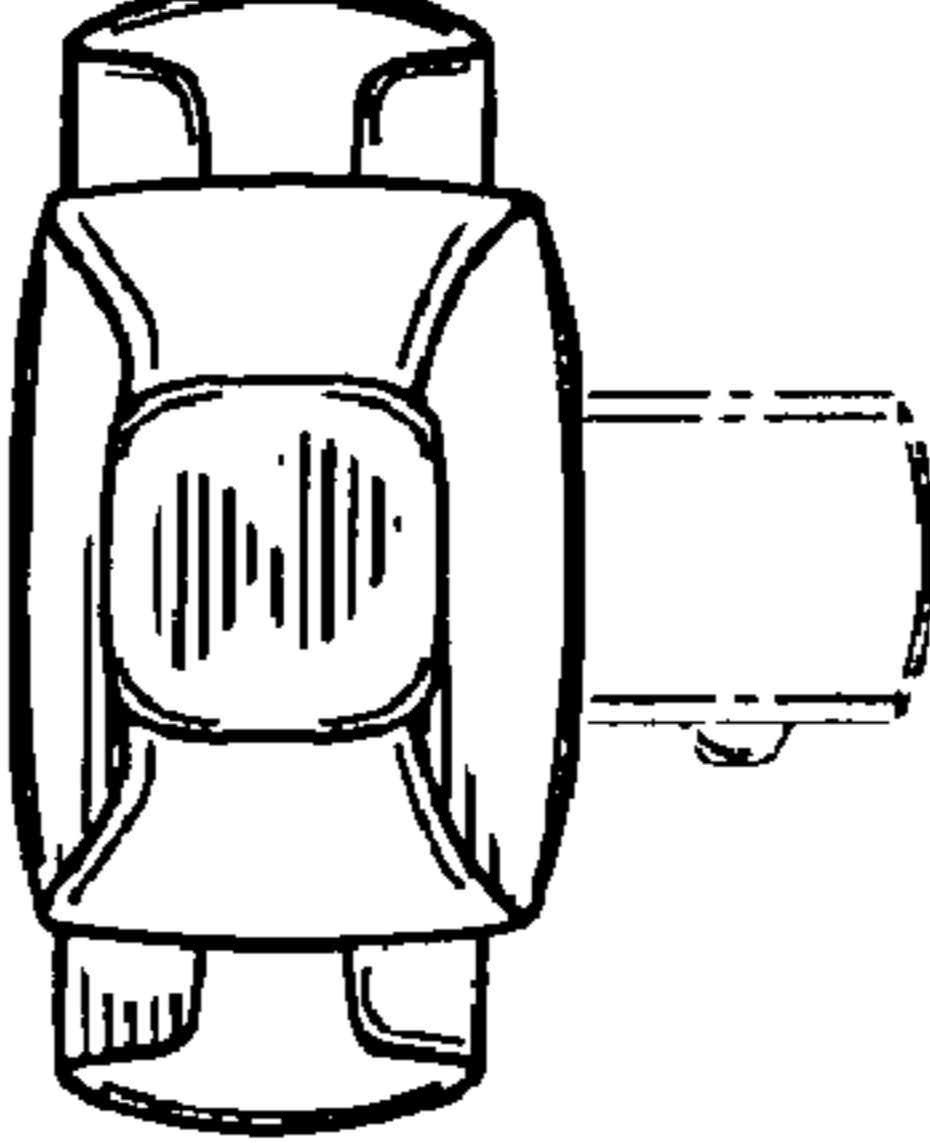
Fig. 4



**Fig. 5**



**Fig. 6**



**Fig. 7**