

US00D509714S

(12) **United States Design Patent**
Speed et al.

(10) **Patent No.:** **US D509,714 S**
(45) **Date of Patent:** **** Sep. 20, 2005**

(54) **GARDENING CAGE**

(76) Inventors: **Janet R. Speed**, 1353 Orleans Ct.,
Grayson, GA (US) 30017; **Stacey E.**
Talbot, 1931 N. Oak Dr.,
Lawrenceville, GA (US) 30044

(**) **Term:** **14 Years**

(21) **Appl. No.:** **29/205,166**

(22) **Filed:** **May 10, 2004**

(51) **LOC (8) Cl.** **08-01**

(52) **U.S. Cl.** **D8/1**

(58) **Field of Search** D8/1; 47/44-47

(56) **References Cited**

U.S. PATENT DOCUMENTS

963,030 A	7/1910	Balch	
1,361,464 A	12/1920	Hunt	
3,426,544 A	2/1969	Curtis	
3,672,571 A	6/1972	Goodricke	
3,865,309 A	2/1975	Greenhalgh	
4,005,548 A *	2/1977	Nahon	47/45
4,211,033 A *	7/1980	Ringer	47/45

4,285,163 A *	8/1981	Booker, Jr.	47/45
4,922,653 A *	5/1990	Stone	47/45
5,323,559 A *	6/1994	Allman	47/45
5,357,710 A	10/1994	Dulik et al.	
5,605,010 A	2/1997	Furlong et al.	
5,862,625 A	1/1999	Parker	
5,881,495 A	3/1999	Clark	
5,913,477 A	6/1999	Dean	
5,913,635 A	6/1999	Graham	

* cited by examiner

Primary Examiner—Holly Baynham

(74) *Attorney, Agent, or Firm*—Greg O’Bradovich, PC

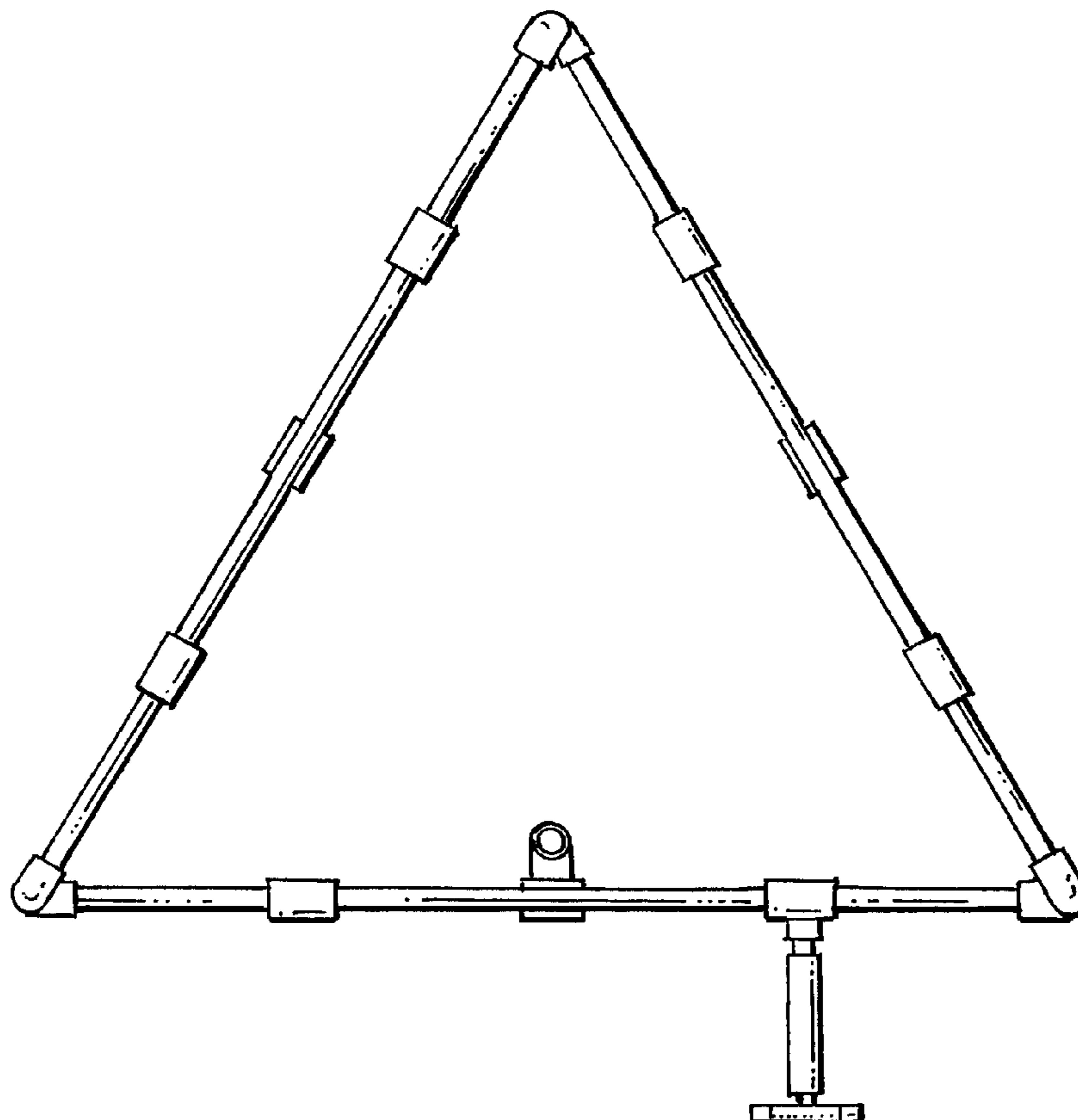
(57) **CLAIM**

The ornamental design for a gardening cage, as shown.

DESCRIPTION

FIG. 1 is a top plan view of a gardening cage;
FIG. 2 is a bottom plan view thereof;
FIG. 3 is a front elevational view thereof;
FIG. 4 is a rear elevational view thereof;
FIG. 5 is a left side elevational view thereof; and,
FIG. 6 is a right side elevational view thereof.

1 Claim, 5 Drawing Sheets



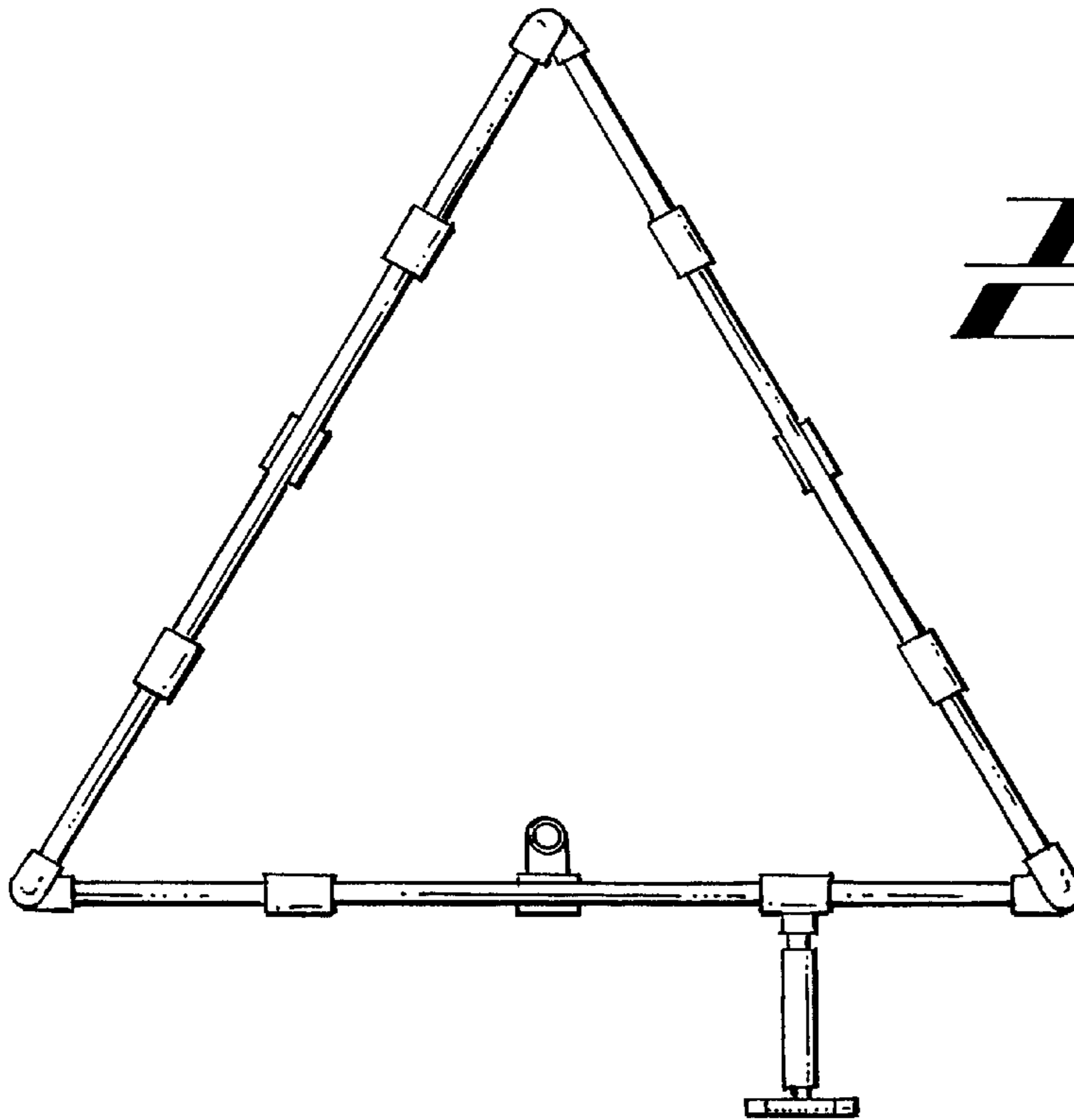


Fig. 1

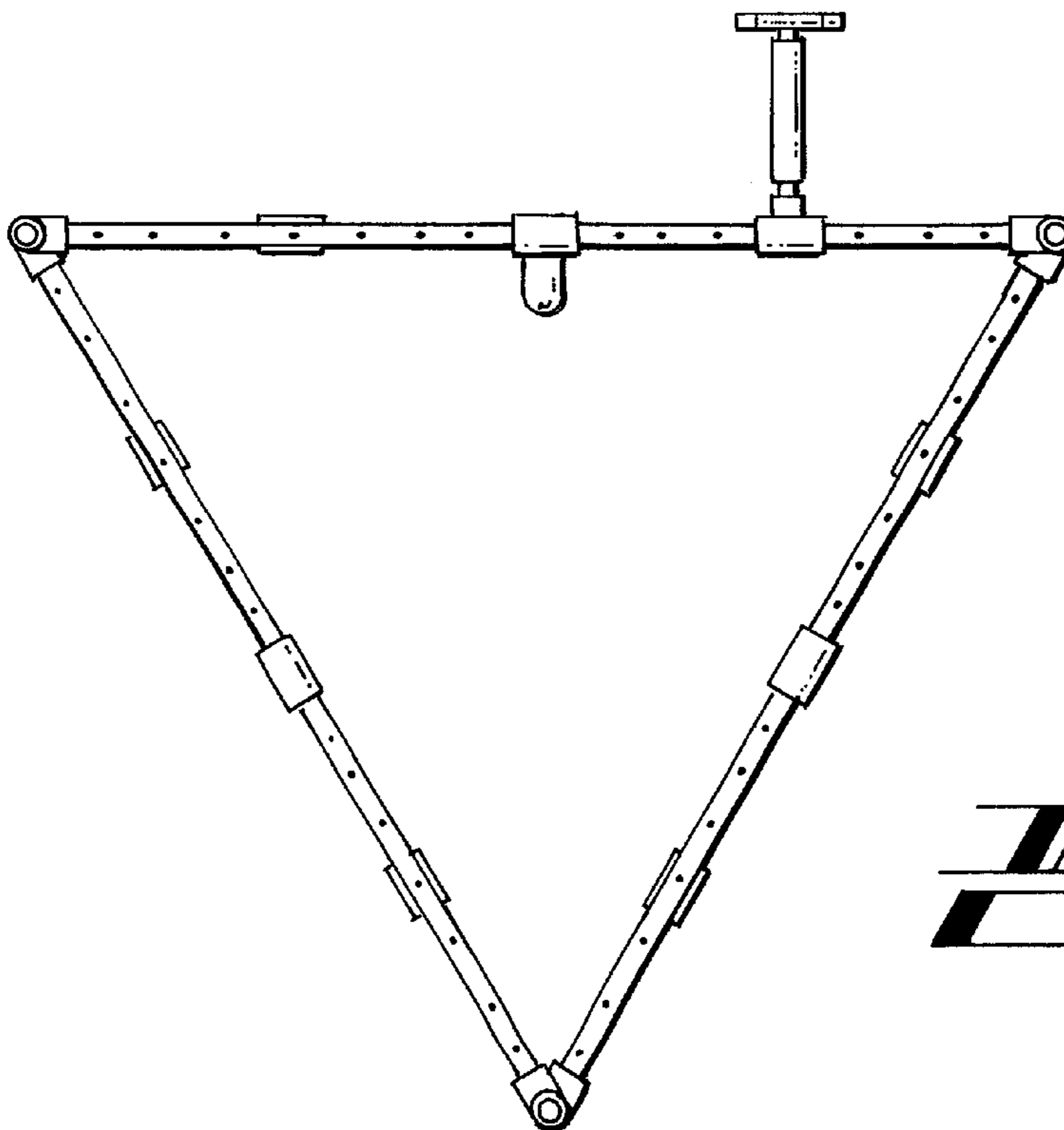
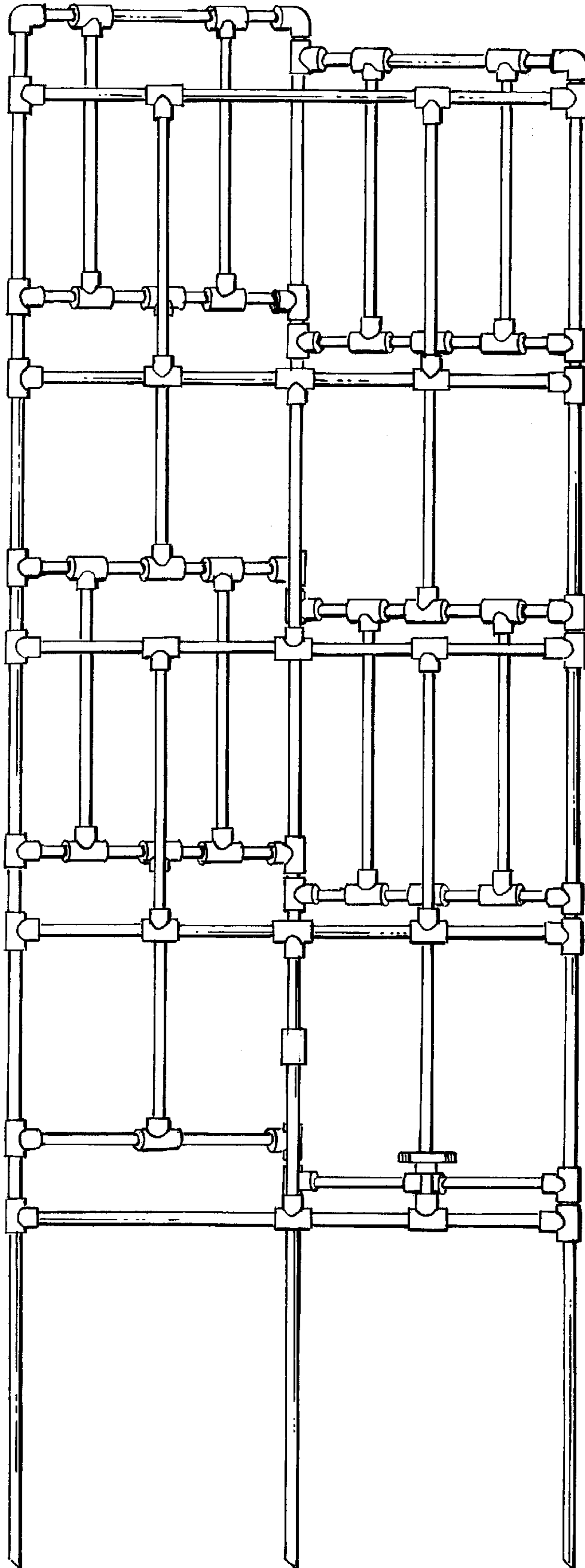


Fig. 2



Hi 3

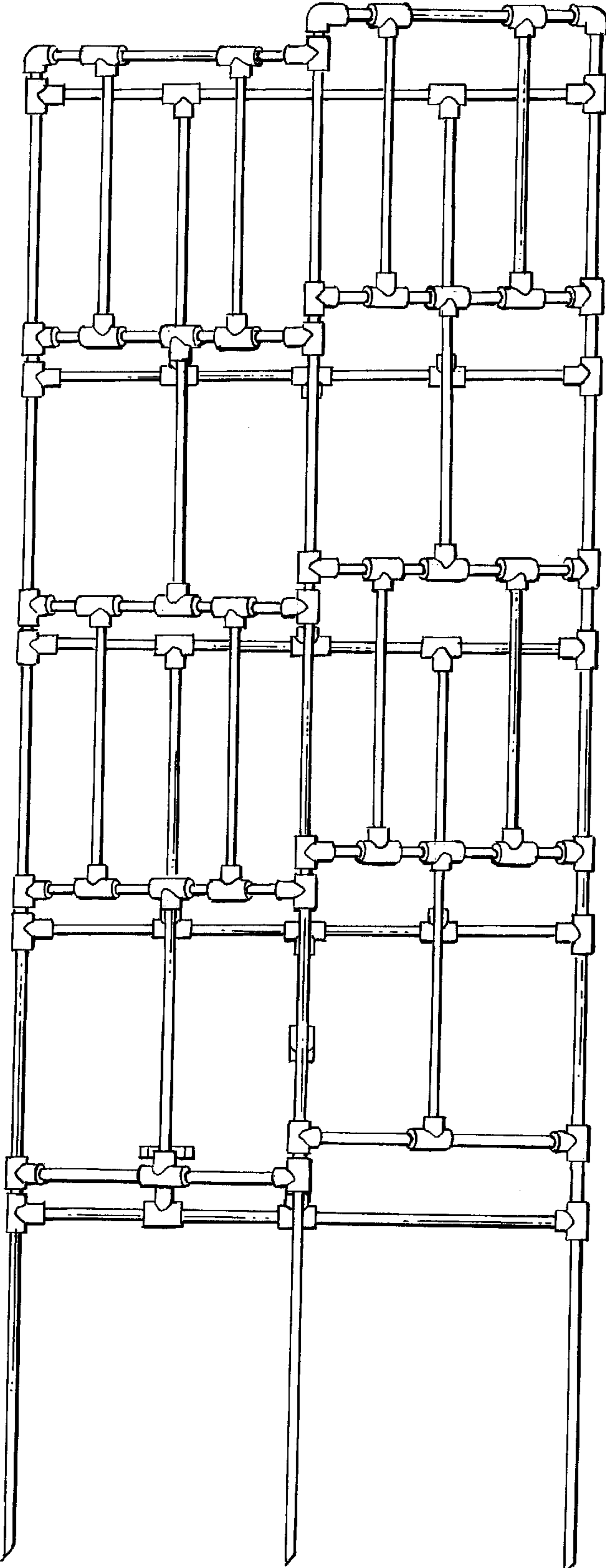


Fig. 4

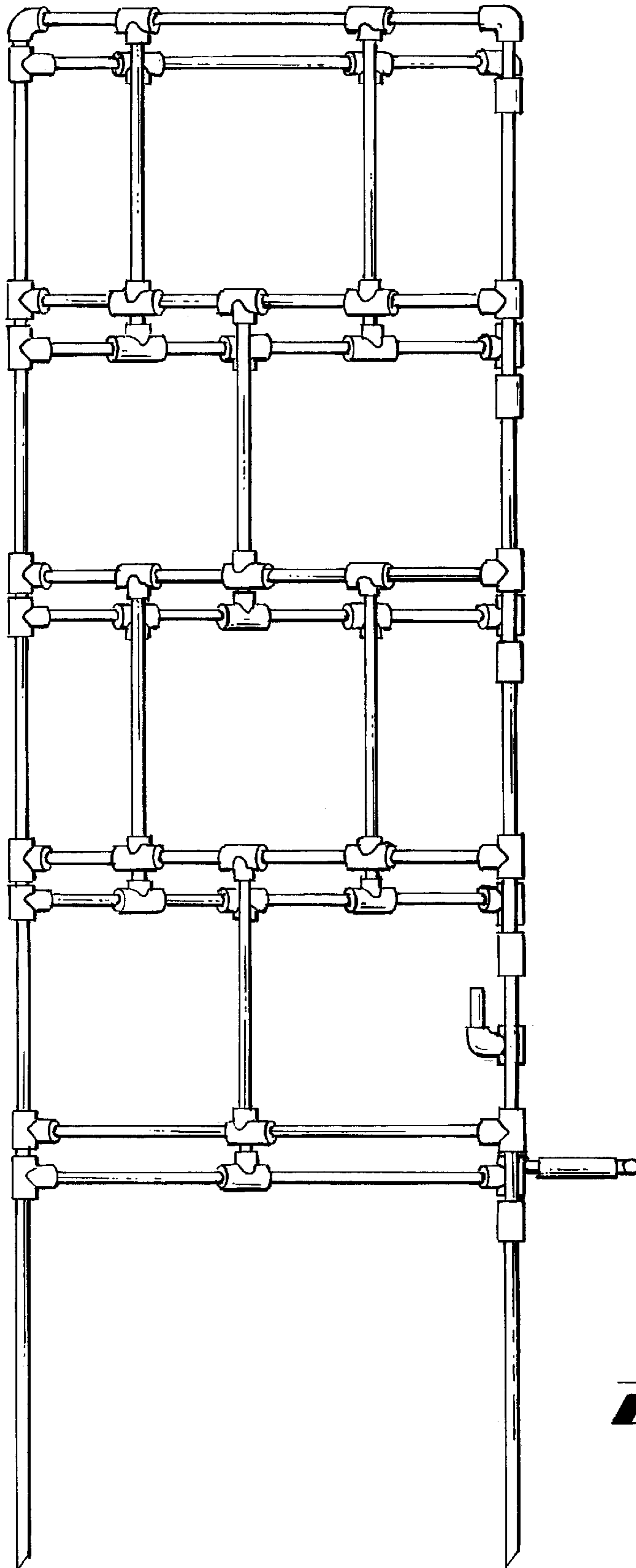


Fig. 5

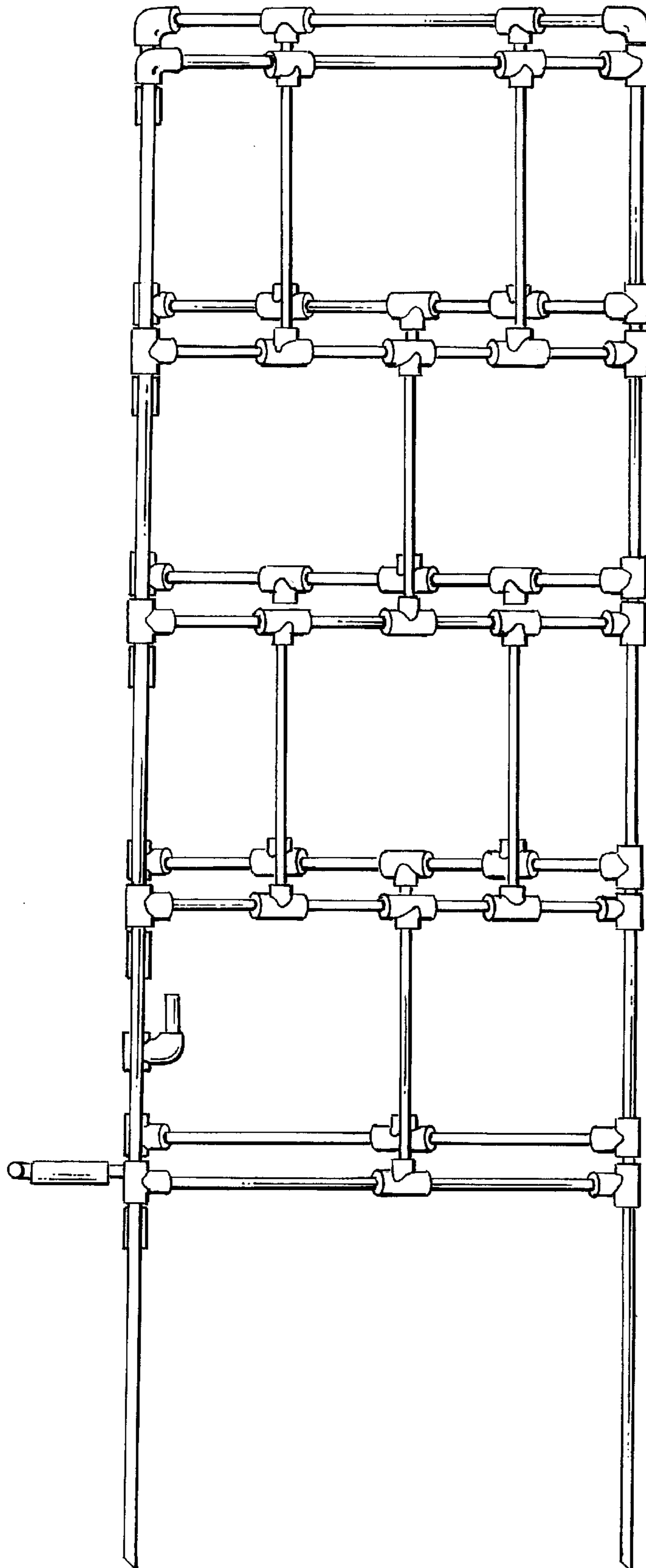


FIG. 6