

US00D509706S

(12) **United States Design Patent**  
**Shin**

(10) **Patent No.:** **US D509,706 S**  
(45) **Date of Patent:** **\*\* Sep. 20, 2005**

(54) **OVEN RACK**

(75) Inventor: **Inho Andy Shin**, Cleveland, TN (US)

(73) Assignee: **Maytag Corporation**, Newton, IA (US)

(\*\*) Term: **14 Years**

(21) Appl. No.: **29/201,667**

(22) Filed: **Mar. 19, 2004**

(51) **LOC (8) Cl.** ..... **07-02**

(52) **U.S. Cl.** ..... **D7/409**

(58) **Field of Search** ..... D7/323, 388, 402,  
D7/407-409; 126/1 R, 24, 25 R, 29, 332,  
337 R, 339; 211/134, 153, 181.1; 312/410;  
99/426

D427,487 S	*	7/2000	Holbrook	.....	D7/409
6,112,916 A		9/2000	Barnes et al.	.....	211/153
6,148,813 A		11/2000	Barnes et al.	.....	126/339
6,205,997 B1		3/2001	Bartley	.....	126/337 R
D442,432 S		5/2001	Bartley	.....	D7/409
D444,997 S		7/2001	Bartley	.....	D7/409
D445,302 S		7/2001	Bartley	.....	D7/409
D448,617 S	*	10/2001	Bartley	.....	D7/409
D454,470 S	*	3/2002	Bartley	.....	D7/409
D457,394 S	*	5/2002	Bartley	.....	D7/409
6,644,302 B1	*	11/2003	Bartley	.....	126/337 R
2004/0094143 A1	*	5/2004	Bartley	.....	126/337 R

\* cited by examiner

*Primary Examiner*—Caron D. Veynar

*Assistant Examiner*—Vy Nguyen

(74) *Attorney, Agent, or Firm*—Diederiks & Whitelaw, PLC; Allan P. Orsund

(56) **References Cited**

**U.S. PATENT DOCUMENTS**

1,343,818 A	6/1920	Grammich	.....	211/153	
1,350,330 A	8/1920	Partonnar	.....	126/338	
1,544,920 A	7/1925	Manley et al.	.....	312/183	
1,925,371 A	9/1933	Charter	.....	211/153	
2,169,904 A	8/1939	Schweller	.....	374/141	
2,205,064 A	*	6/1940	Irwin	.....	D7/409
2,429,025 A	*	10/1947	Kerber et al.	.....	99/426
3,536,000 A	*	10/1970	Whitehill	.....	D7/409
3,791,371 A		2/1974	Oatley	.....	126/339
3,977,389 A	*	8/1976	Ondrasik, II	.....	126/337 R
D251,106 S	*	2/1979	Petursson	.....	D7/409
D291,646 S	*	9/1987	Koziol	.....	D7/409
5,272,317 A	*	12/1993	Ryu	.....	219/403
D346,531 S	*	5/1994	Stephen et al.	.....	D7/409
6,030,059 A		2/2000	Stravitz	.....	312/9.47
D426,749 S	*	6/2000	Barnes et al.	.....	D7/409

(57) **CLAIM**

The ornamental design for an oven rack, as shown and described.

**DESCRIPTION**

FIG. 1 is a top right perspective view of an oven rack showing my new design;

FIG. 2 is a front elevational view of the oven rack of the invention;

FIG. 3 is a right side elevational view of the oven rack of FIG. 1, with a left side view being a mirror image thereof;

FIG. 4 is a rear elevational view of the oven rack of FIG. 1;

FIG. 5 is top plan view of the oven rack of FIG. 1; and,

FIG. 6 is a bottom plan view of the oven rack of FIG. 1.

**1 Claim, 4 Drawing Sheets**

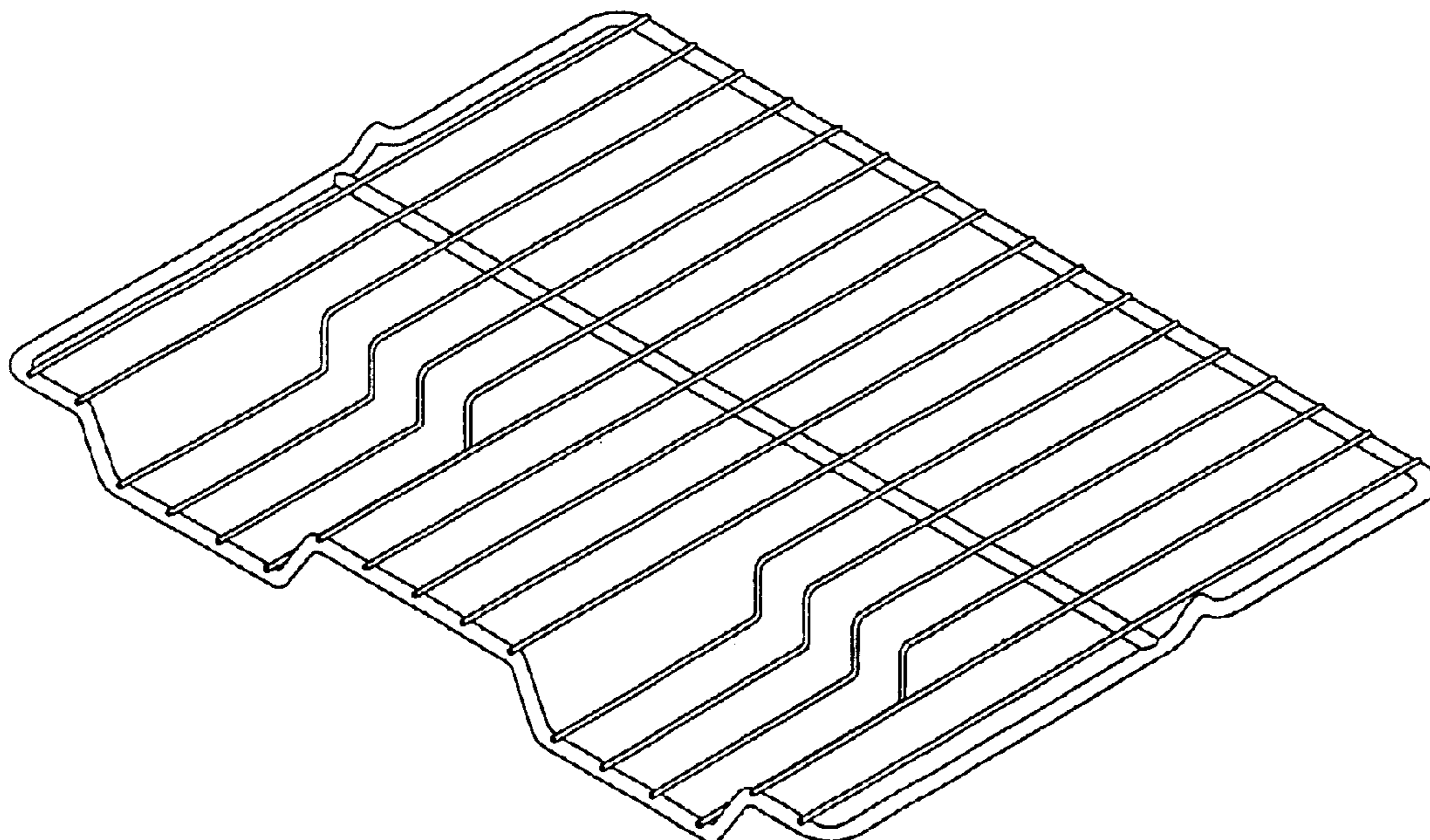


FIG. 1

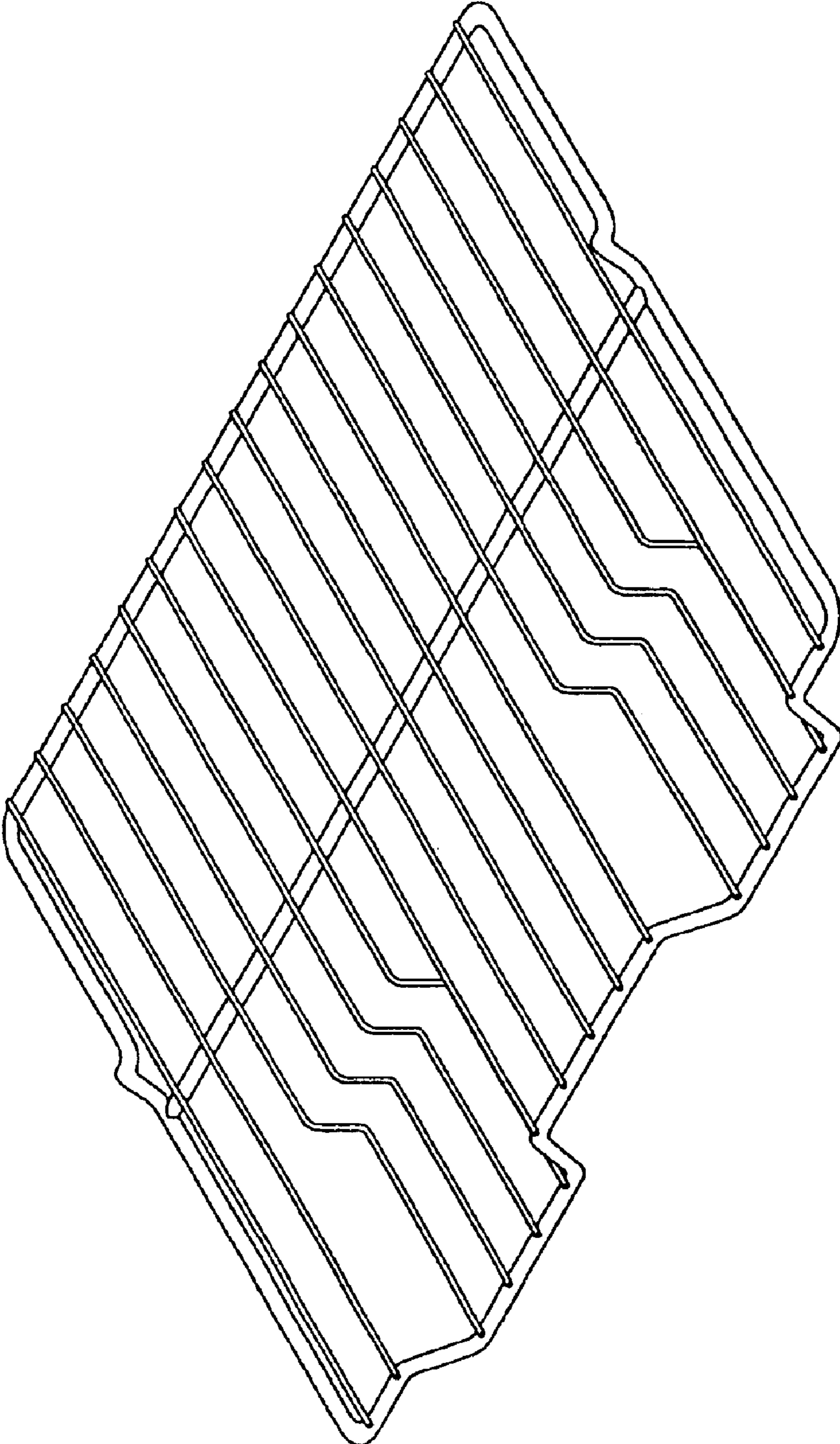


FIG. 2

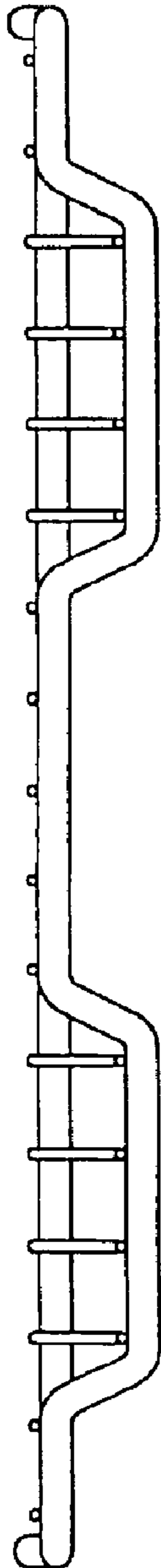


FIG. 3

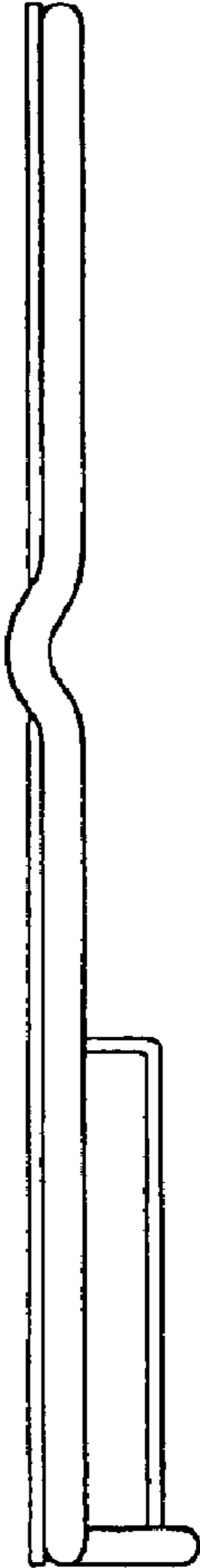


FIG. 4

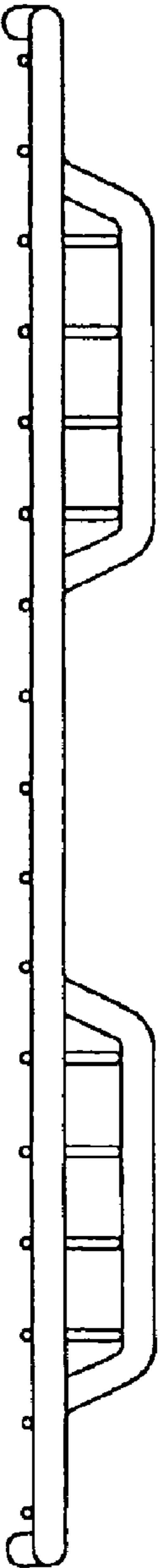


FIG. 5

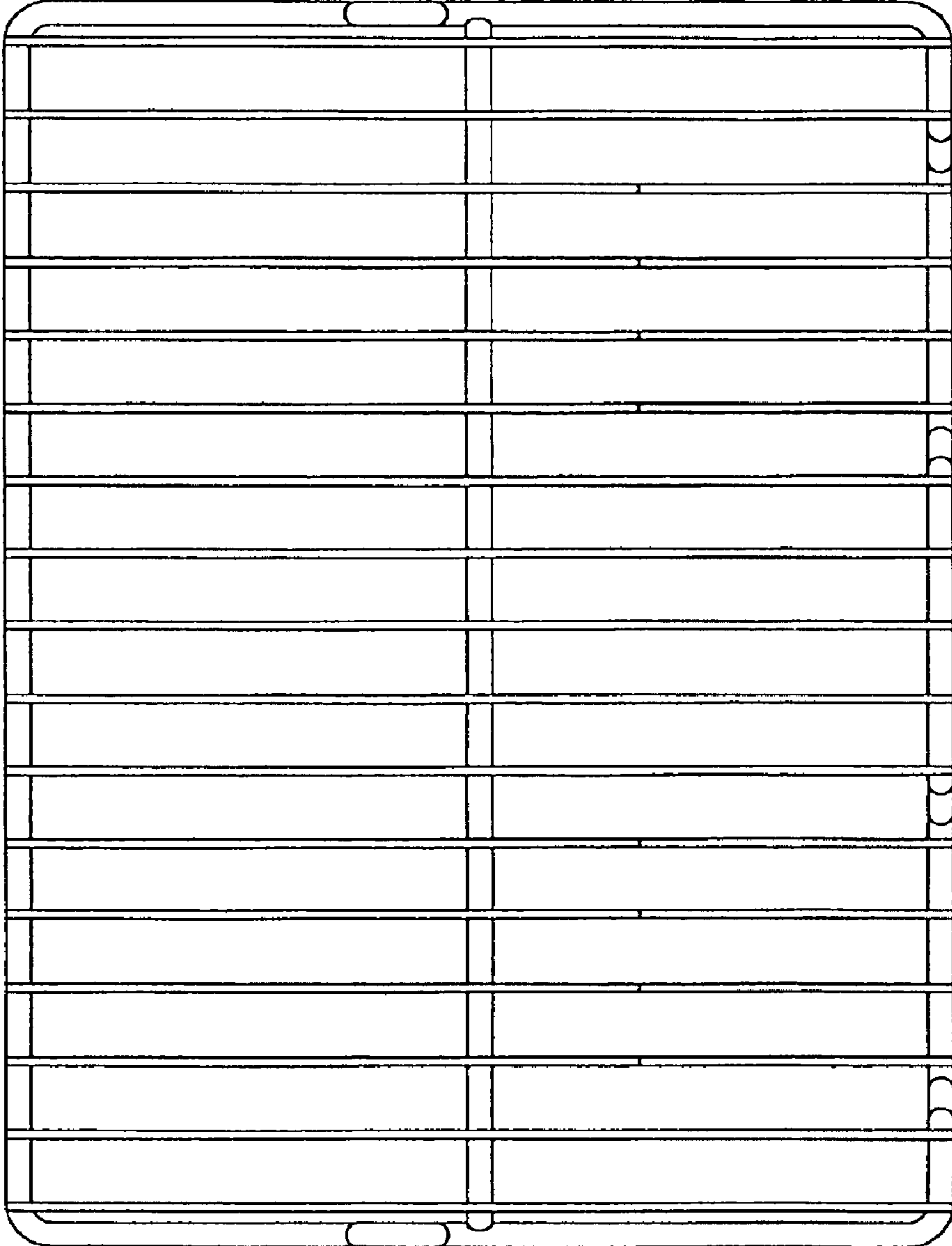


FIG. 6

