



US00D509705S

(12) **United States Design Patent**
Armer

(10) **Patent No.:** **US D509,705 S**
(45) **Date of Patent:** **** Sep. 20, 2005**

(54) **SCALLOPED FOOD SERVICE COVER**

(75) **Inventor:** **Mark A. Armer**, West Hills, CA (US)

(73) **Assignee:** **Cambro Manufacturing Company**,
Huntington Beach, CA (US)

(**) **Term:** **14 Years**

(21) **Appl. No.:** **29/190,808**

(22) **Filed:** **Sep. 25, 2003**

(51) **LOC (8) Cl.** **07-02**

(52) **U.S. Cl.** **D7/391**

(58) **Field of Search** D7/354-364, 391,
D7/392.1, 629, 610; D9/435-443; 126/354.1;
220/200

(56) **References Cited**

U.S. PATENT DOCUMENTS

D468,637 S	*	1/2003	Chou	D9/425
D479,784 S	*	9/2003	Shah	D7/605
D487,210 S	*	3/2004	Isler et al.	D7/354
D496,832 S	*	10/2004	Ekhtebare	D7/610

* cited by examiner

Primary Examiner—Joel Sincavage
Assistant Examiner—Maurice Stevens
(74) *Attorney, Agent, or Firm*—George F. Bethel

(57) **CLAIM**

I claim the ornamental design for a scalloped food service cover, as shown and described.

DESCRIPTION

FIG. 1 shows a perspective view of the scalloped food service cover.

FIG. 2 is a side elevation view of the scalloped food service cover.

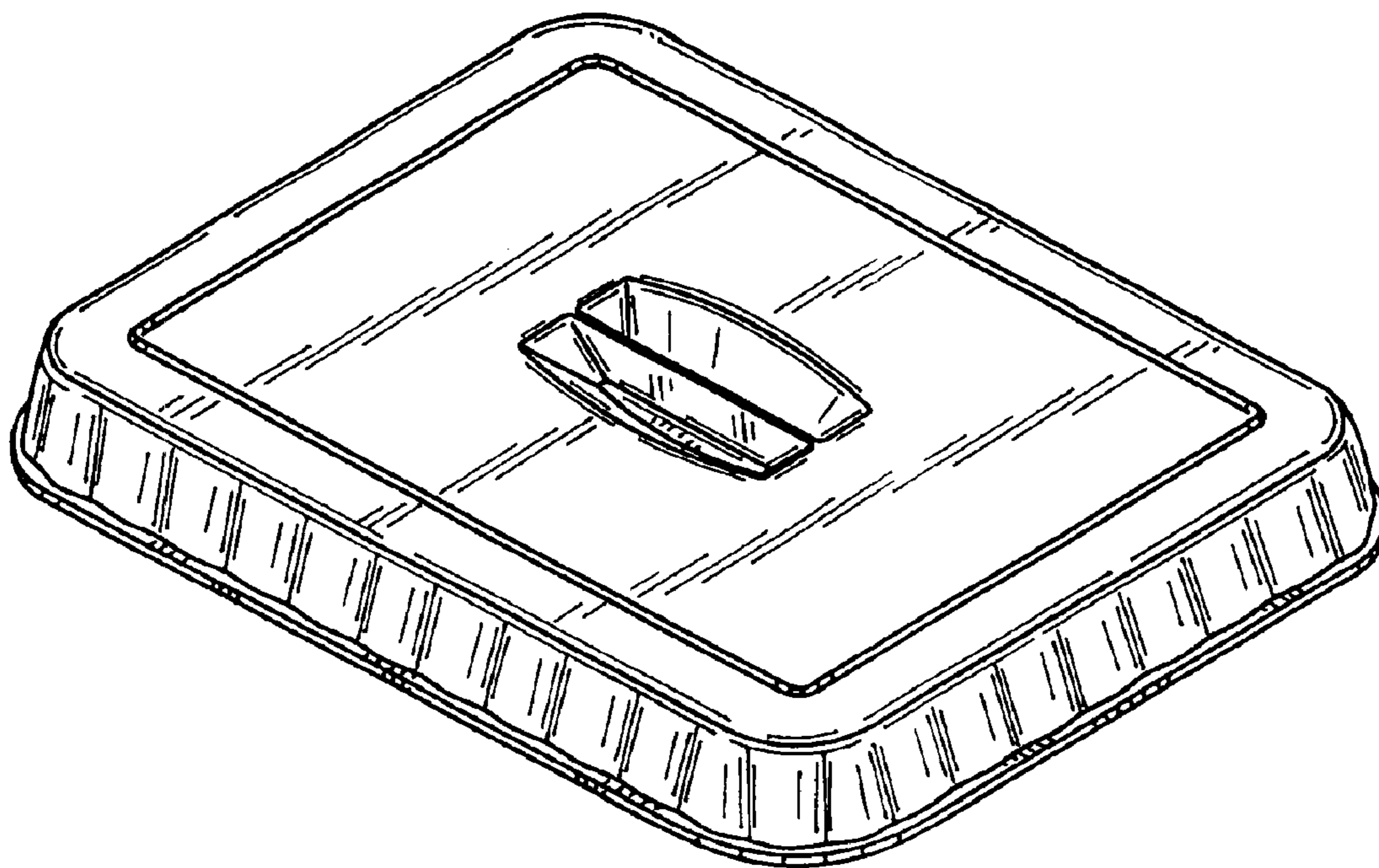
FIG. 3 is a front elevation view of the scalloped food service cover.

FIG. 4 is a plan view looking downwardly onto the scalloped food service cover from the top.

FIG. 5 is a bottom plan view of the scalloped food service cover; and,

FIG. 6 is a top perspective view of an alternative embodiment of the scalloped food service cover.

1 Claim, 3 Drawing Sheets



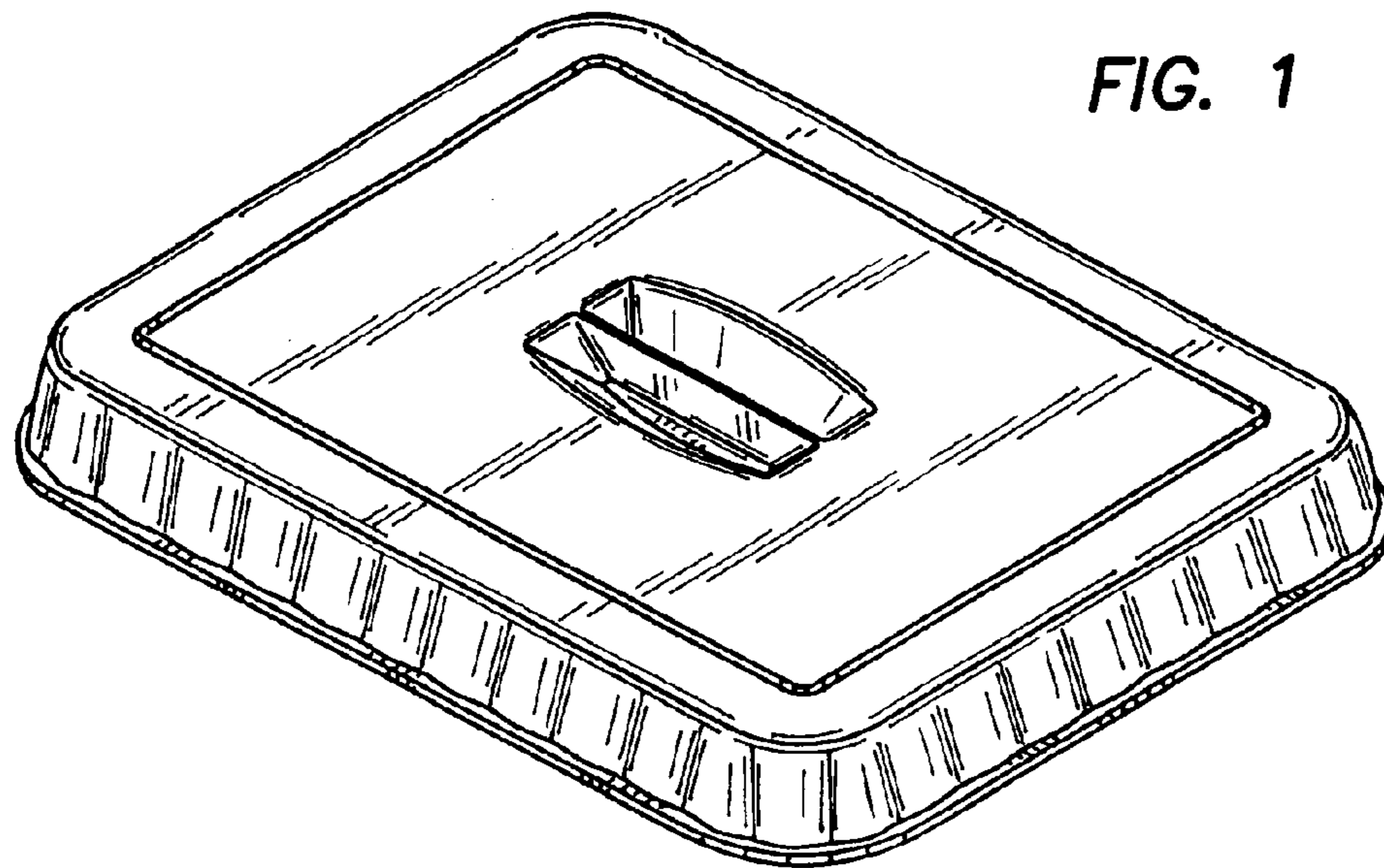


FIG. 1

FIG. 2

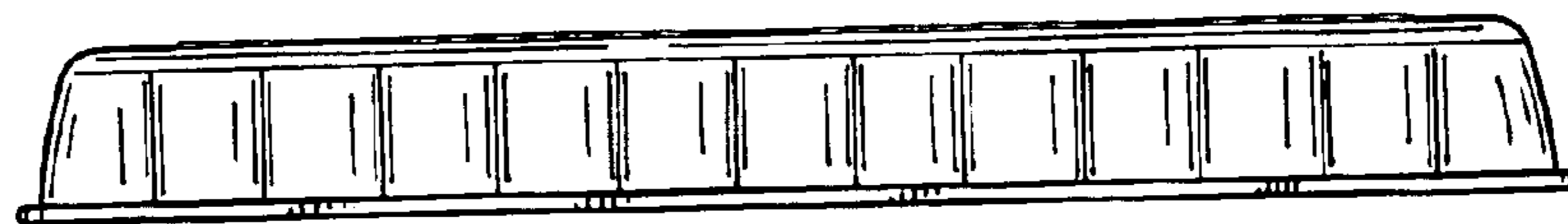
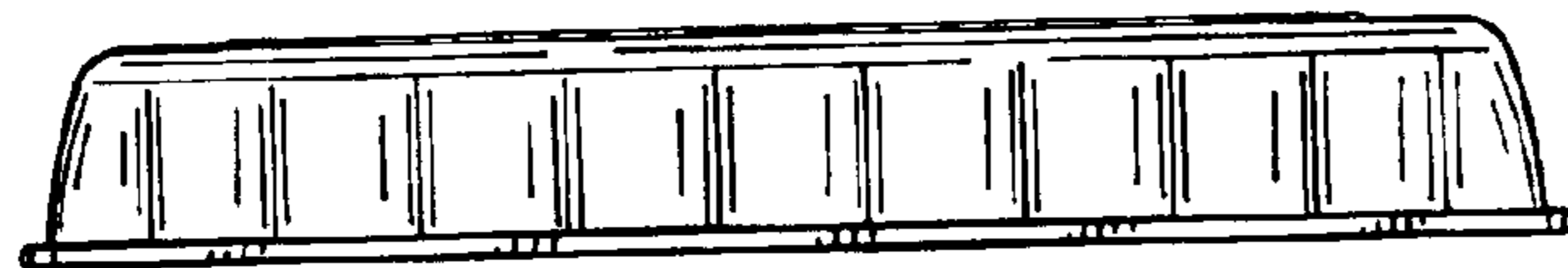


FIG. 3

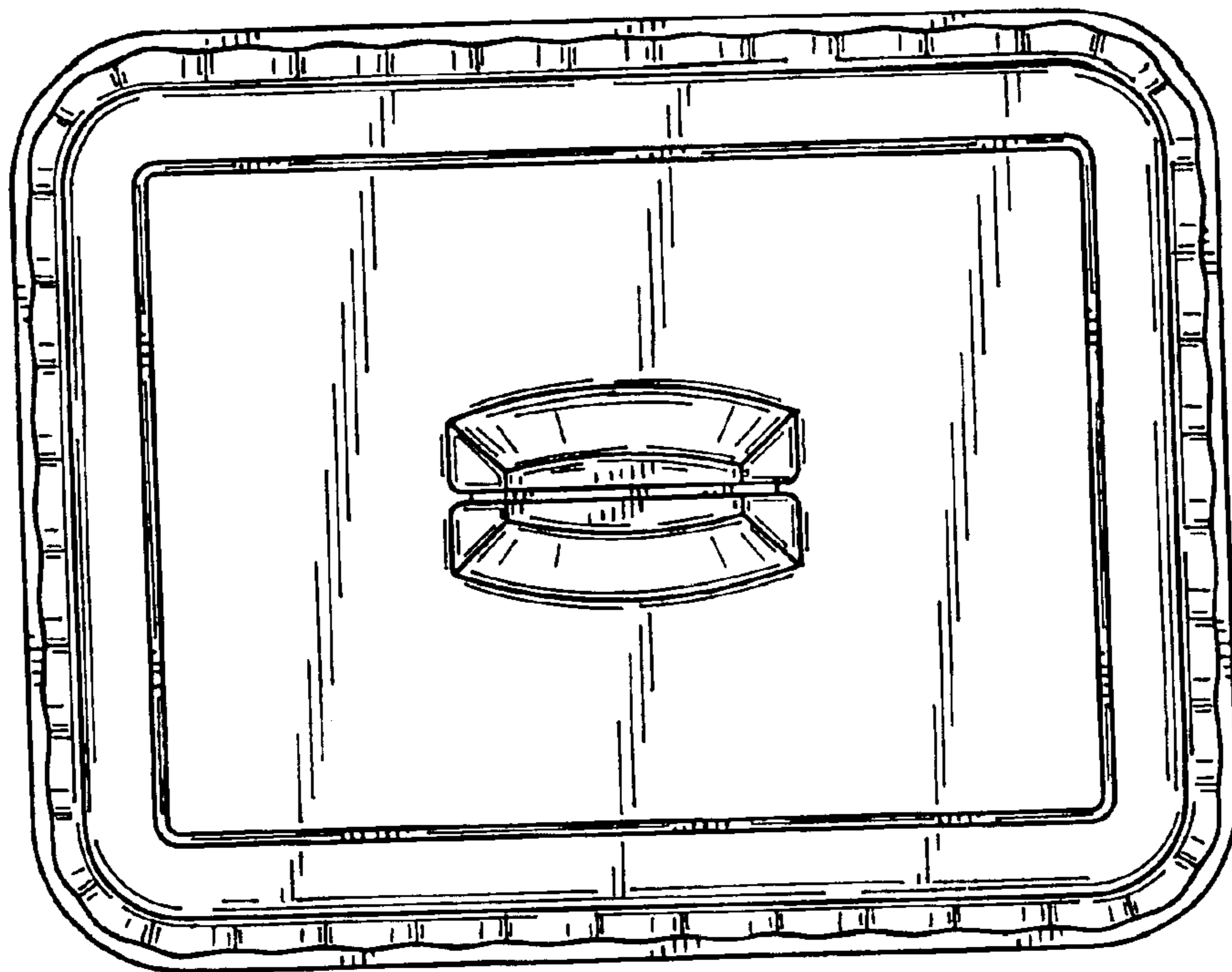


FIG. 4

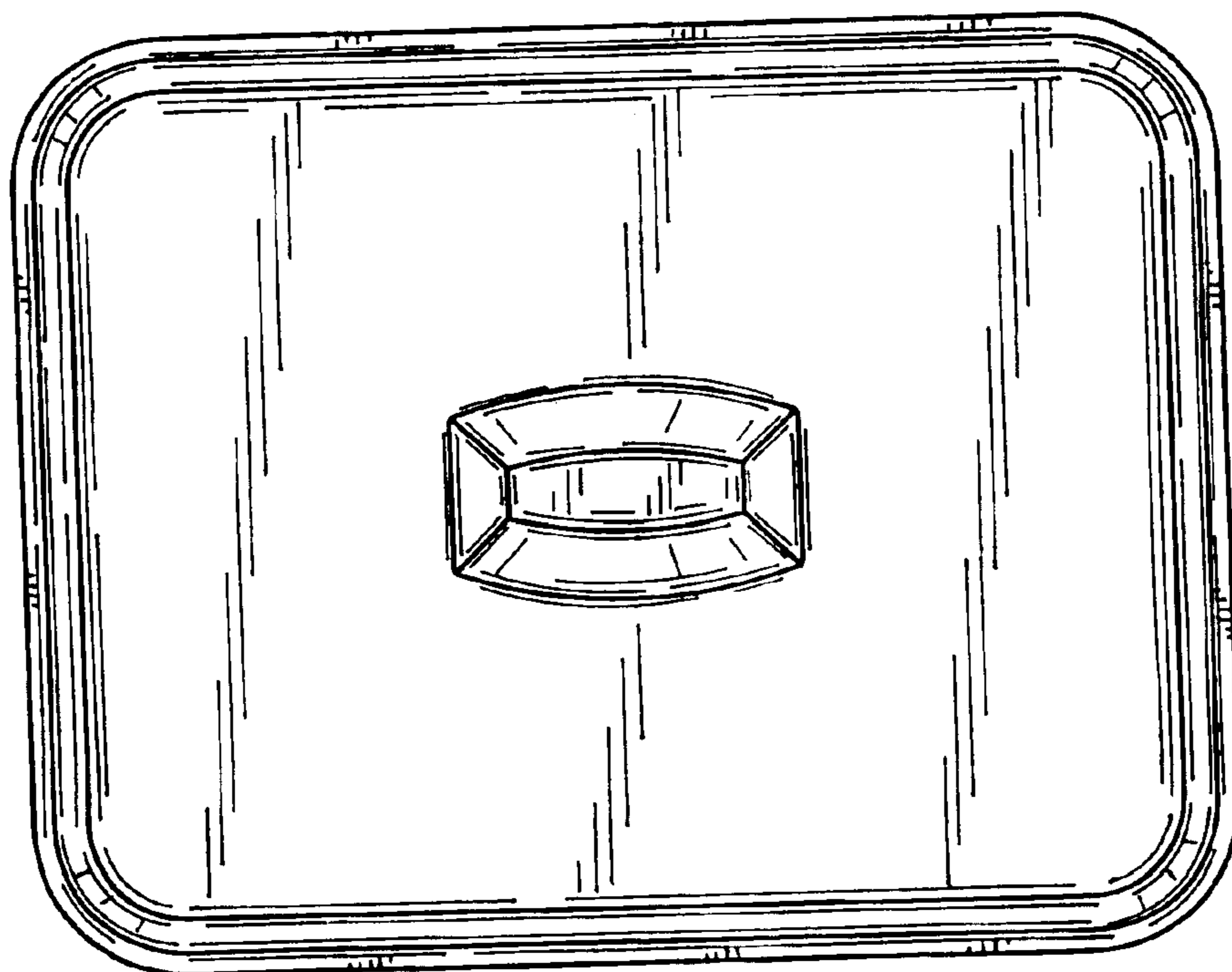


FIG. 5

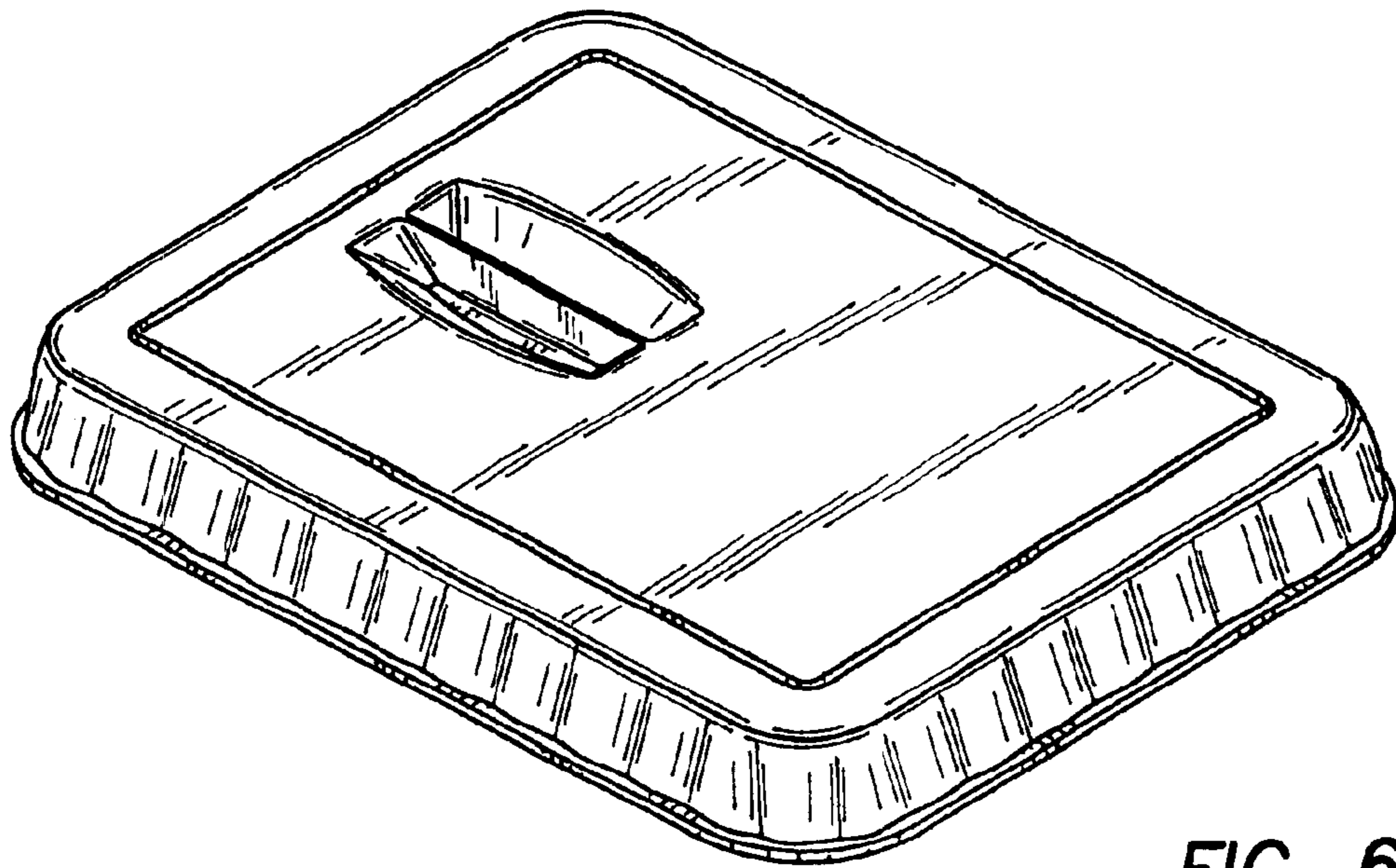


FIG. 6