

US00D509703S

(12) **United States Design Patent**
Barker

(10) **Patent No.:** **US D509,703 S**

(45) **Date of Patent:** **** Sep. 20, 2005**

(54) **TOASTER GRILL**

(75) **Inventor:** **Mario Barker, Sydney (AU)**

(73) **Assignee:** **Breville Pty Limited, Botony (AU)**

(**) **Term:** **14 Years**

(21) **Appl. No.:** **29/196,038**

(22) **Filed:** **Dec. 22, 2003**

(30) **Foreign Application Priority Data**

Jul. 2, 2003 (AU) 2282/2003

(51) **LOC (8) Cl.** **07-02**

(52) **U.S. Cl.** **D7/352**

(58) **Field of Search** D7/323, 328-330,
D7/352-361; 99/324, 325, 331, 339, 349,
353, 357, 372, 376, 377, 446; 219/620-622

(56) **References Cited**

U.S. PATENT DOCUMENTS

D213,931 S * 4/1969 Bardeau D7/352
D232,012 S * 7/1974 Bardeau D7/352
D436,794 S * 1/2001 McClean D7/352

D452,109 S * 12/2001 Hensel D7/352
6,439,108 B1 * 8/2002 Wu 99/349
D479,665 S * 9/2003 Barker D7/352

* cited by examiner

Primary Examiner—Caron D. Veynar

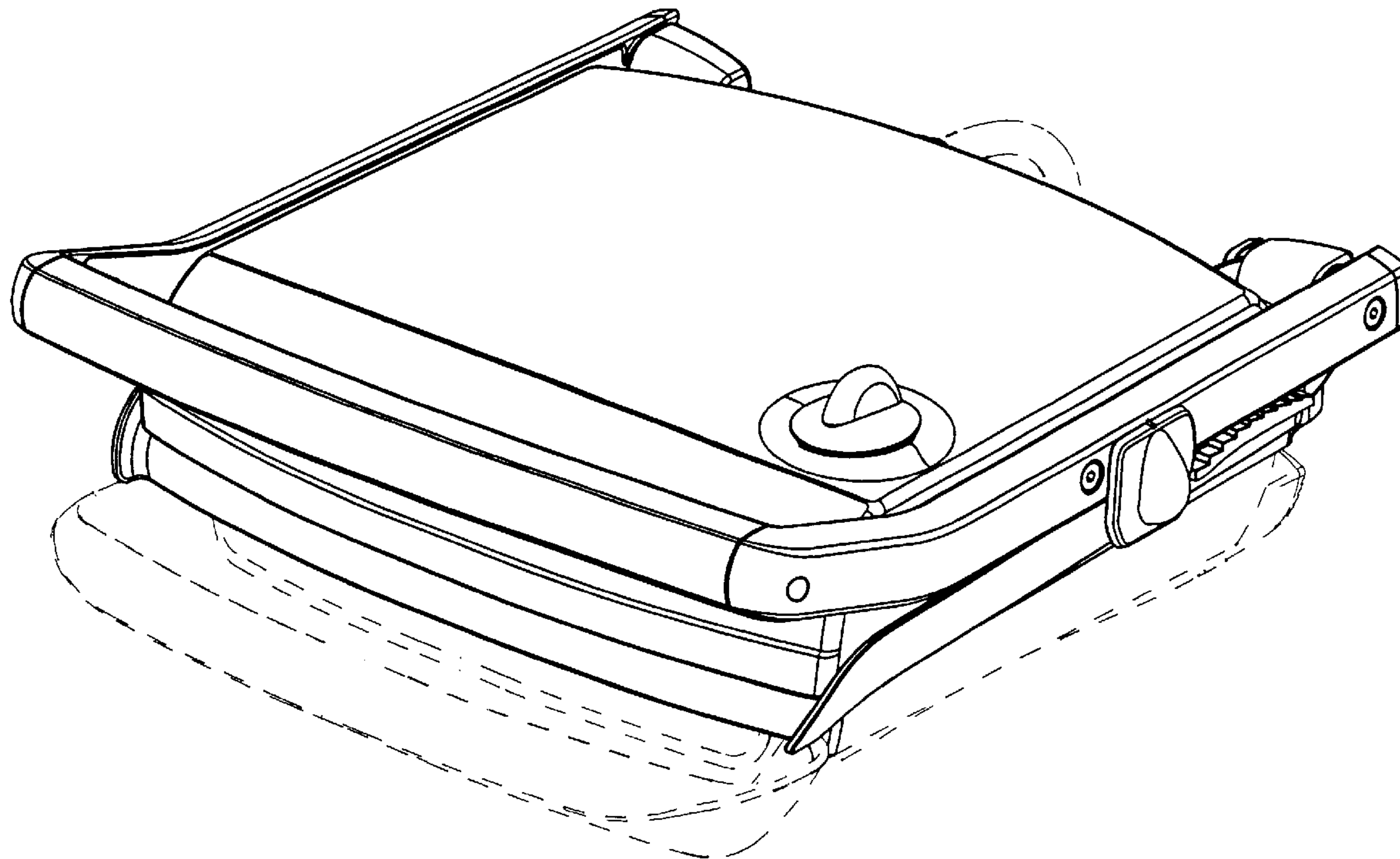
(57) **CLAIM**

The ornamental design for a toaster grill, as shown and described.

DESCRIPTION

FIG. 1 is a front perspective view of a toaster grill showing my new design;
FIG. 2 is a rear perspective view thereof;
FIG. 3 is a front elevation view thereof;
FIG. 4 is a rear elevation view thereof;
FIG. 5 is a left side elevation view thereof;
FIG. 6 is a right side elevation view thereof;
FIG. 7 is a top plan view thereof; and,
FIG. 8 is a bottom plan view thereof.
The broken lines shown in FIGS. 1-8 are for illustrative purposes only and form no part of the claimed design.

1 Claim, 6 Drawing Sheets



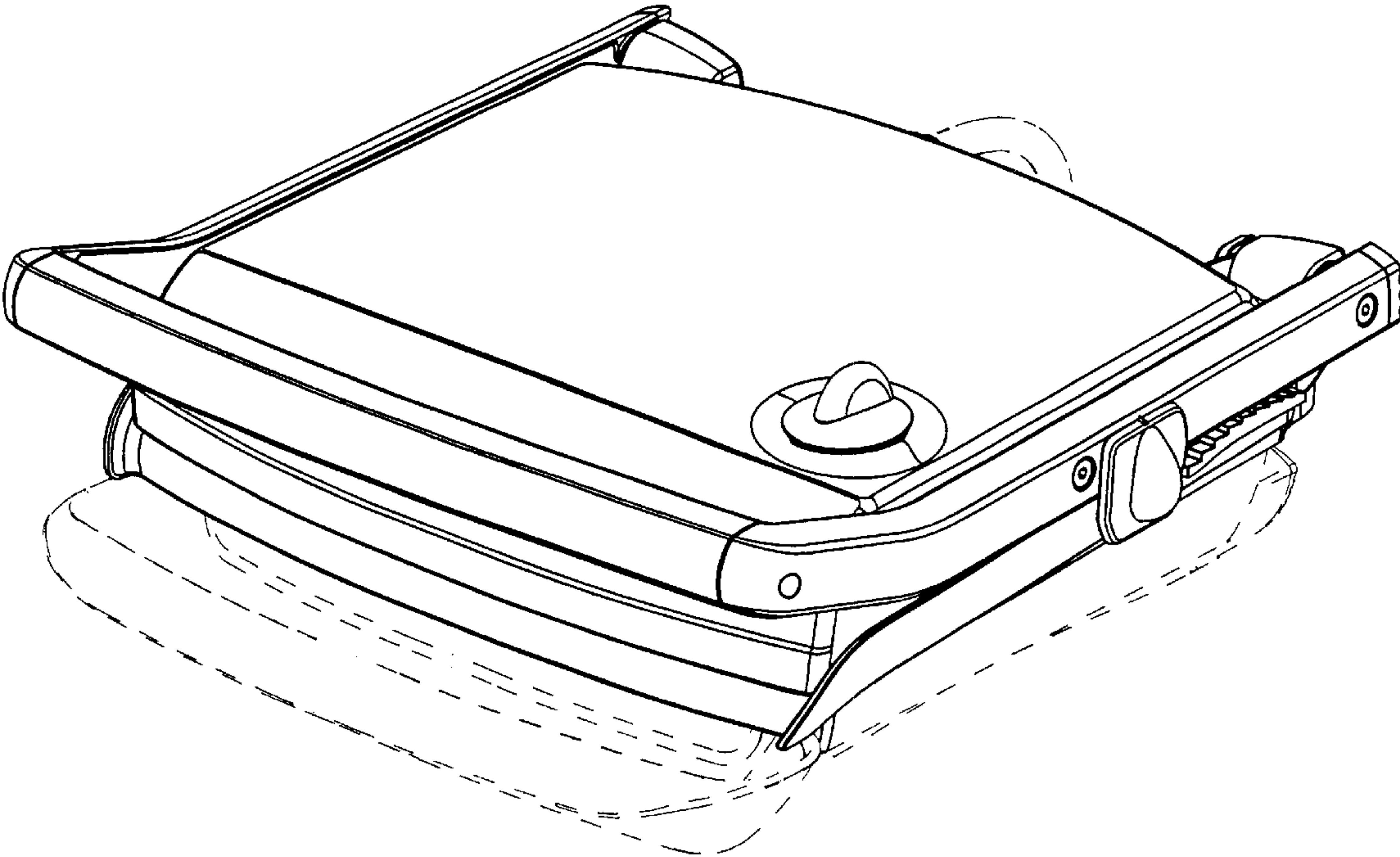


FIGURE 1

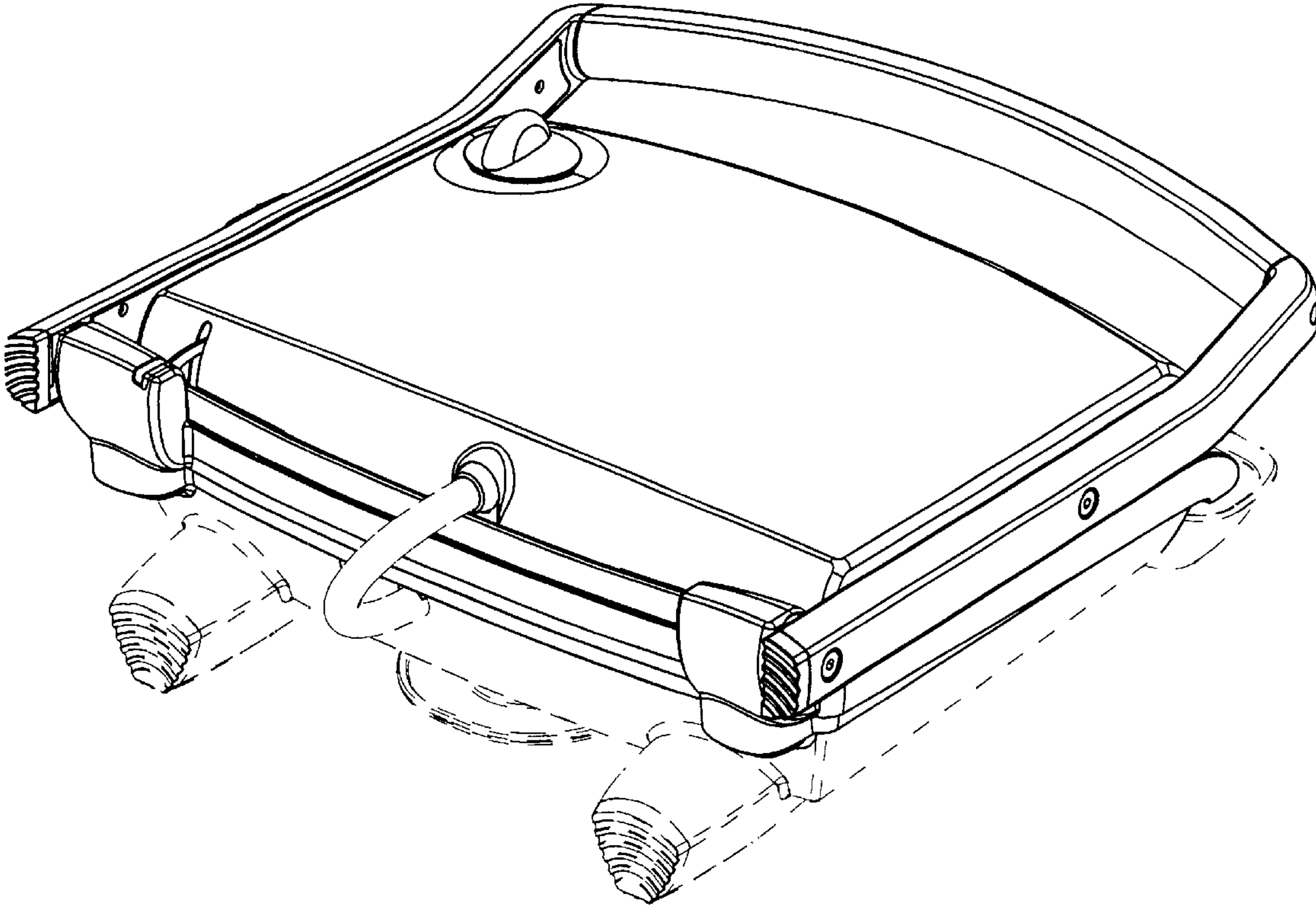


FIGURE 2

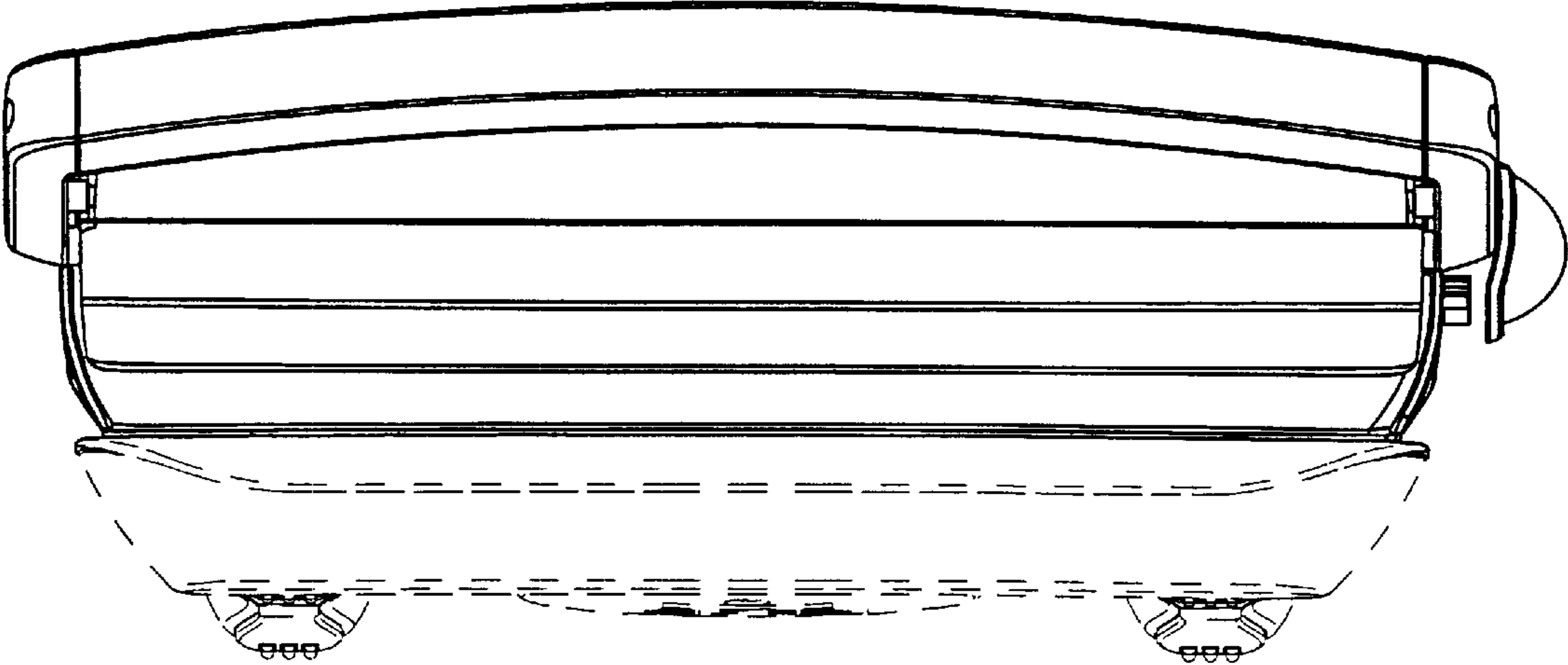


FIGURE 3

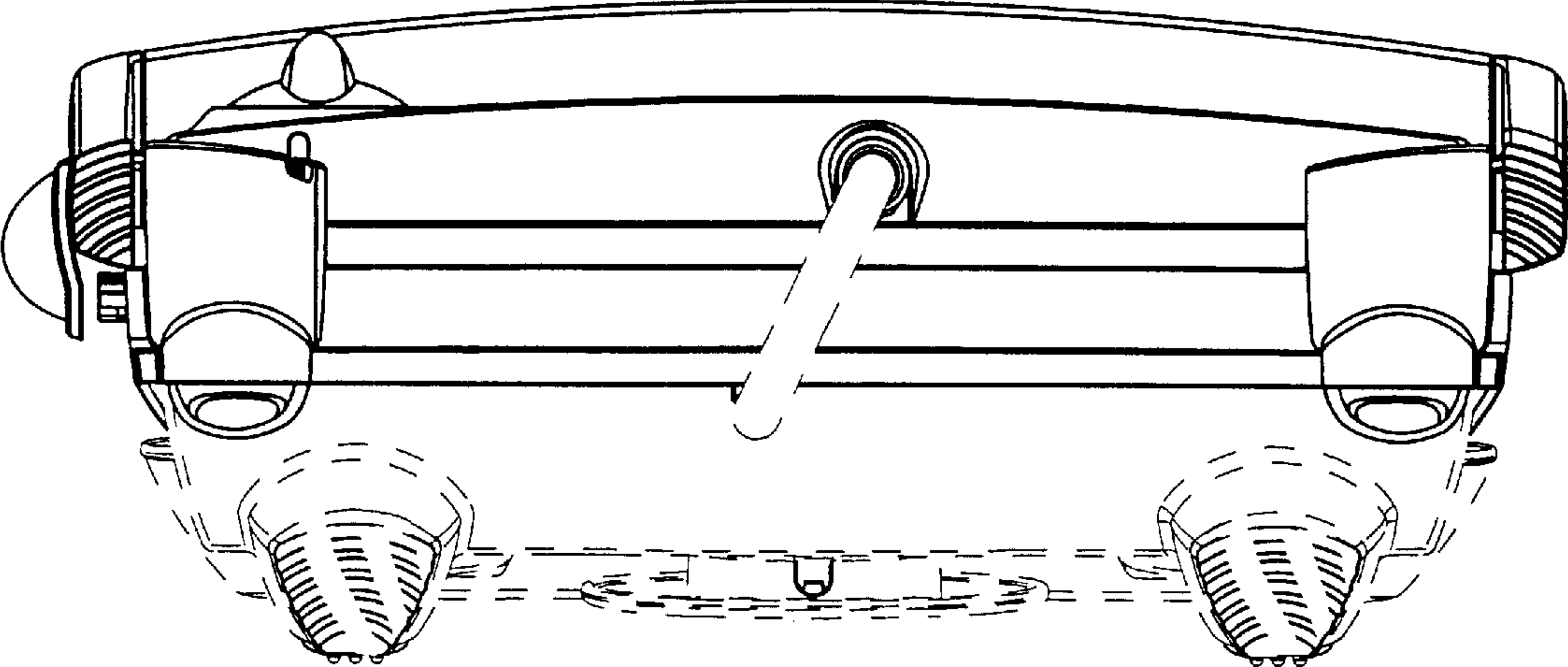


FIGURE 4

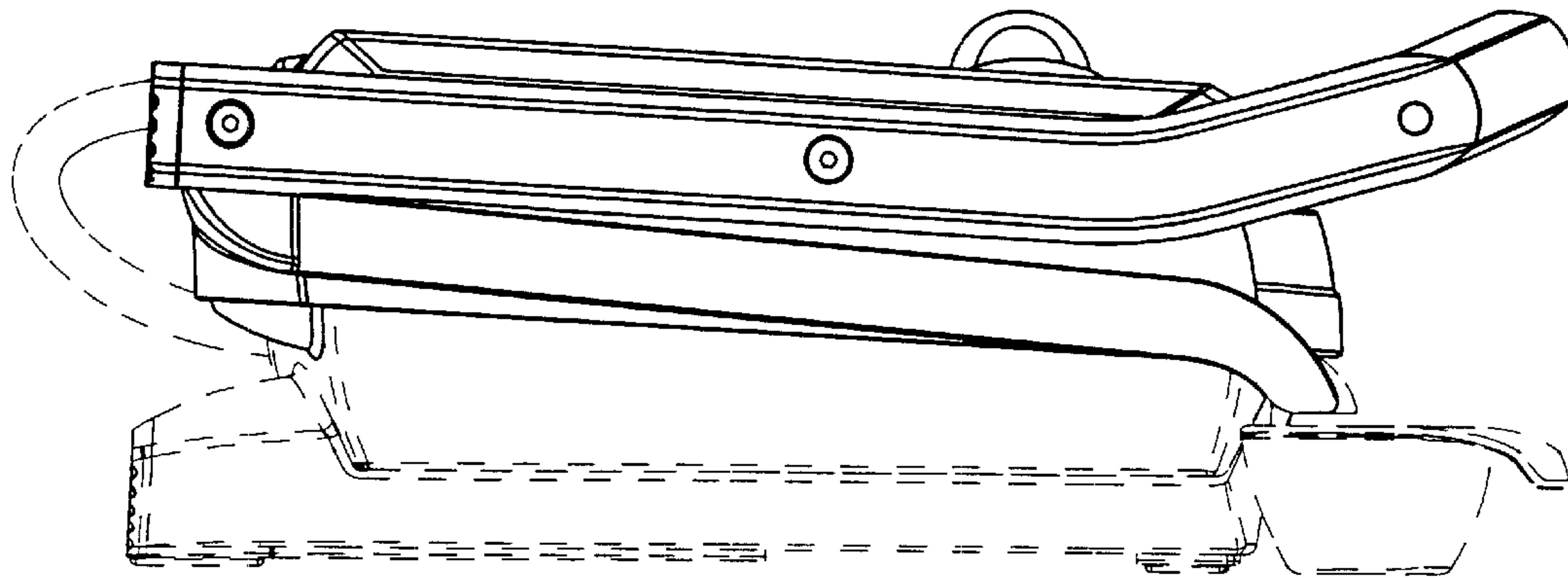


FIGURE 5

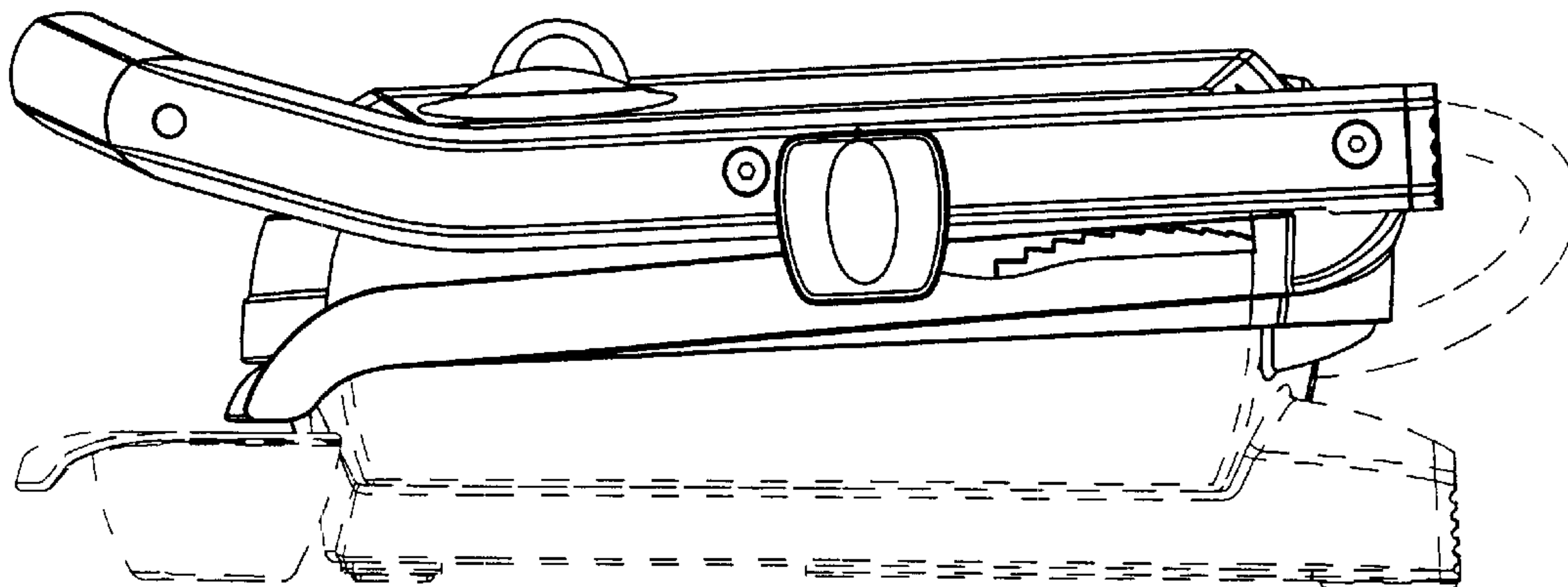


FIGURE 6

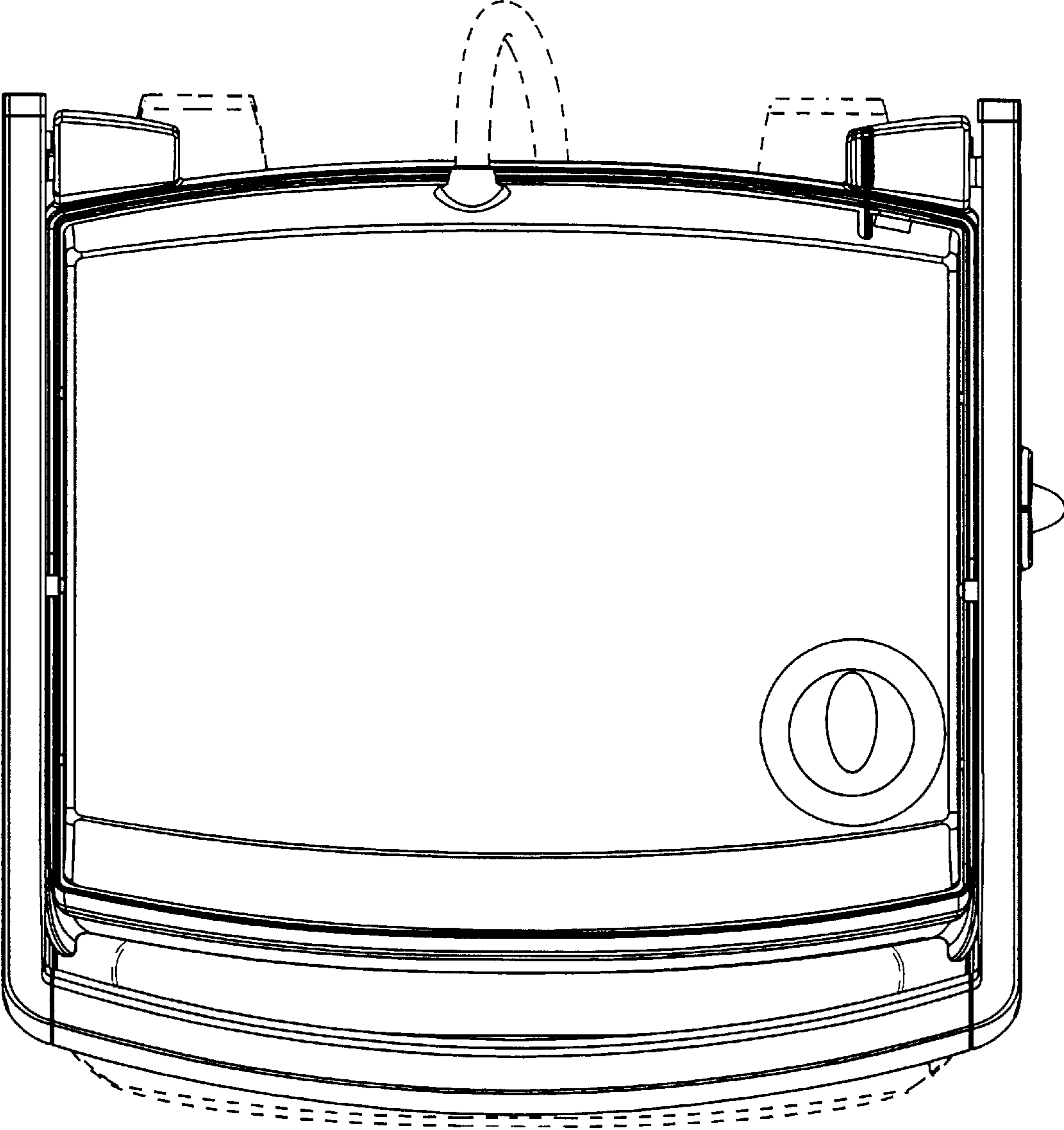


FIGURE 7

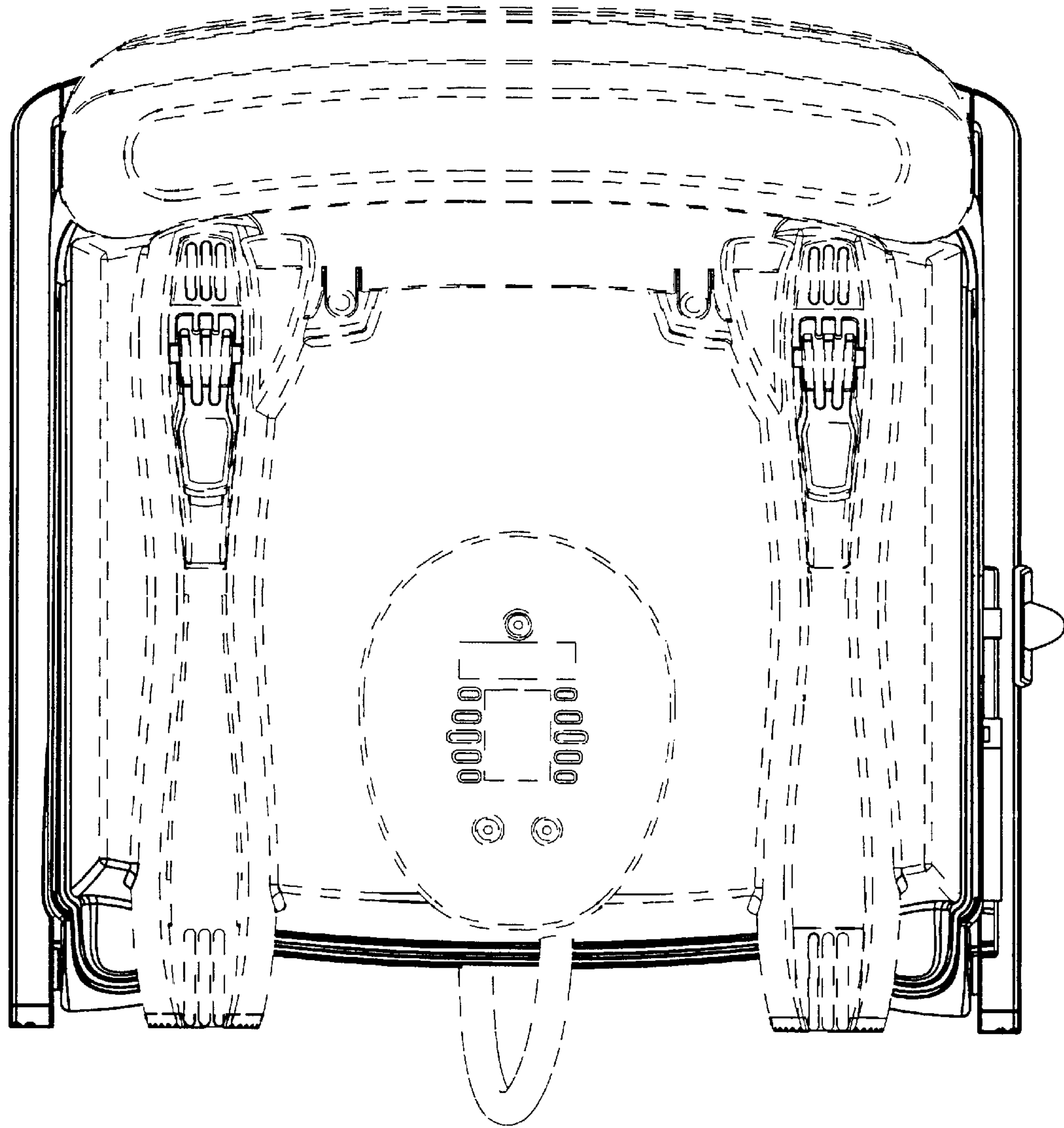


FIGURE 8