



US00D509700S

(12) **United States Design Patent**
Weatherby

(10) **Patent No.:** **US D509,700 S**

(45) **Date of Patent:** **** Sep. 20, 2005**

(54) **VIDEO AND DVD DISPLAY RACK**

6,457,737 B1 * 10/2002 King 211/153

(76) **Inventor:** **Glenn D. Weatherby**, 2700 Dave
Angel Rd., Burleson, TX (US) 76028

* cited by examiner

Primary Examiner—Cathron Brooks

(**) **Term:** **14 Years**

(74) *Attorney, Agent, or Firm*—Guy V. Manning

(21) **Appl. No.:** **29/208,917**

(57) **CLAIM**

(22) **Filed:** **Jul. 8, 2004**

The ornamental design for a video and DVD display rack, as shown and described.

(51) **LOC (8) Cl.** **06-04**

DESCRIPTION

(52) **U.S. Cl.** **D6/630; D6/474**

(58) **Field of Search** D6/407, 629, 630,
D6/460, 461, 468, 474, 477-479; 108/59,
91, 92, 96, 161; 211/40, 41.12, 42, 49.1,
50, 71.01, 87.01, 90.04, 119.003, 134, 153,
190; 312/9.1, 9.2, 9.64, 9.8, 7.2; 206/307,
308.1

FIG. 1 is a perspective view of the invention showing the new design;

FIG. 2 is a left side elevational view of the invention shown in FIG. 1, the right side elevational view being a mirror image of the view of FIG. 2;

FIG. 3 is a front elevational view of the invention shown in FIG. 1, the rear elevational view being a mirror image of the view of FIG. 3;

FIG. 4 is a top plan view of the invention shown in FIG. 1; and,

FIG. 5 is a bottom plan view of the invention shown in FIG. 1.

(56) **References Cited**

U.S. PATENT DOCUMENTS

- 2,975,909 A * 3/1961 Foster 211/135
- D279,528 S * 7/1985 Kingsley D6/473
- D300,288 S * 3/1989 Price et al. D6/407
- D361,680 S * 8/1995 Palsson D6/479

1 Claim, 5 Drawing Sheets

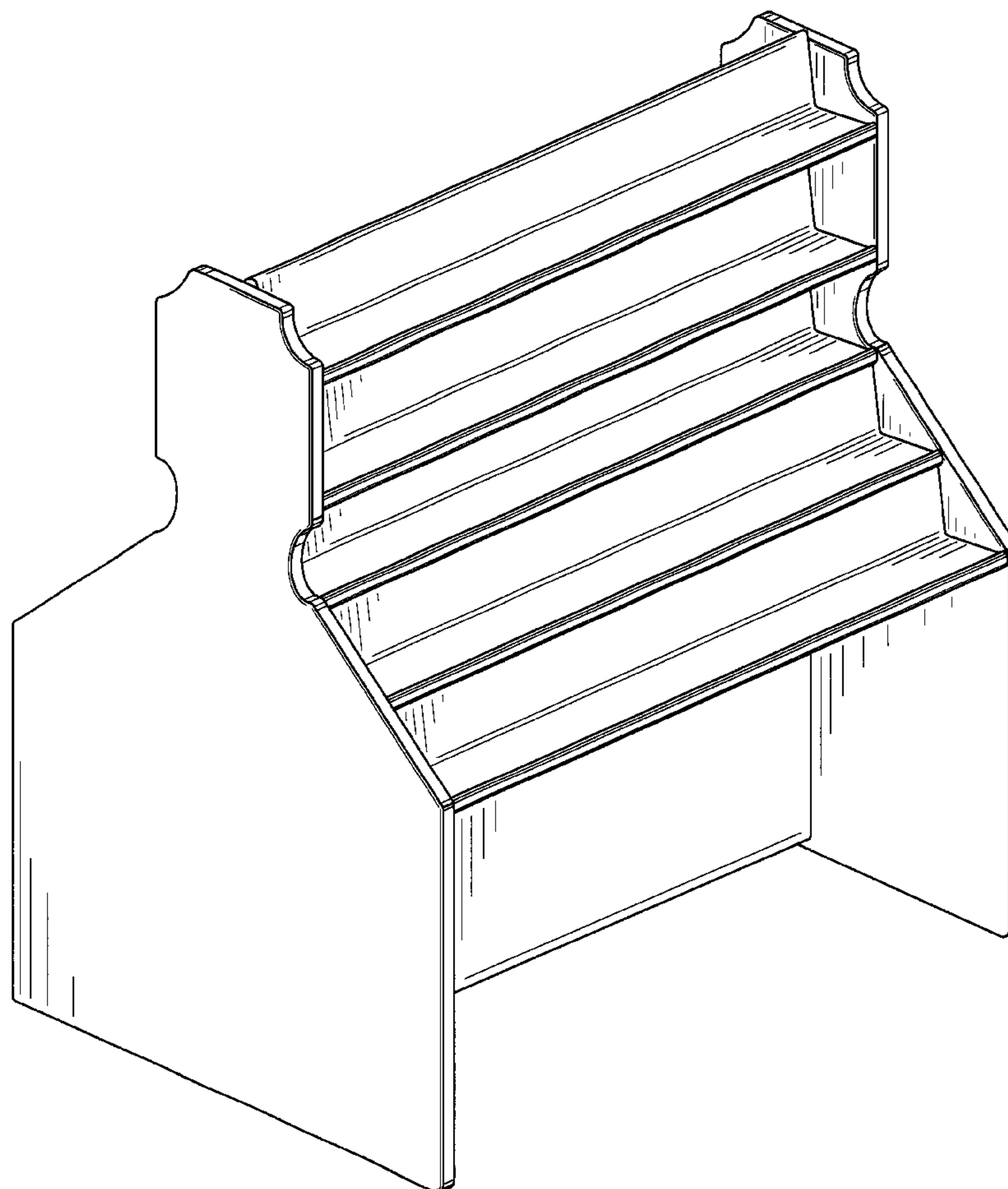


Fig. 1

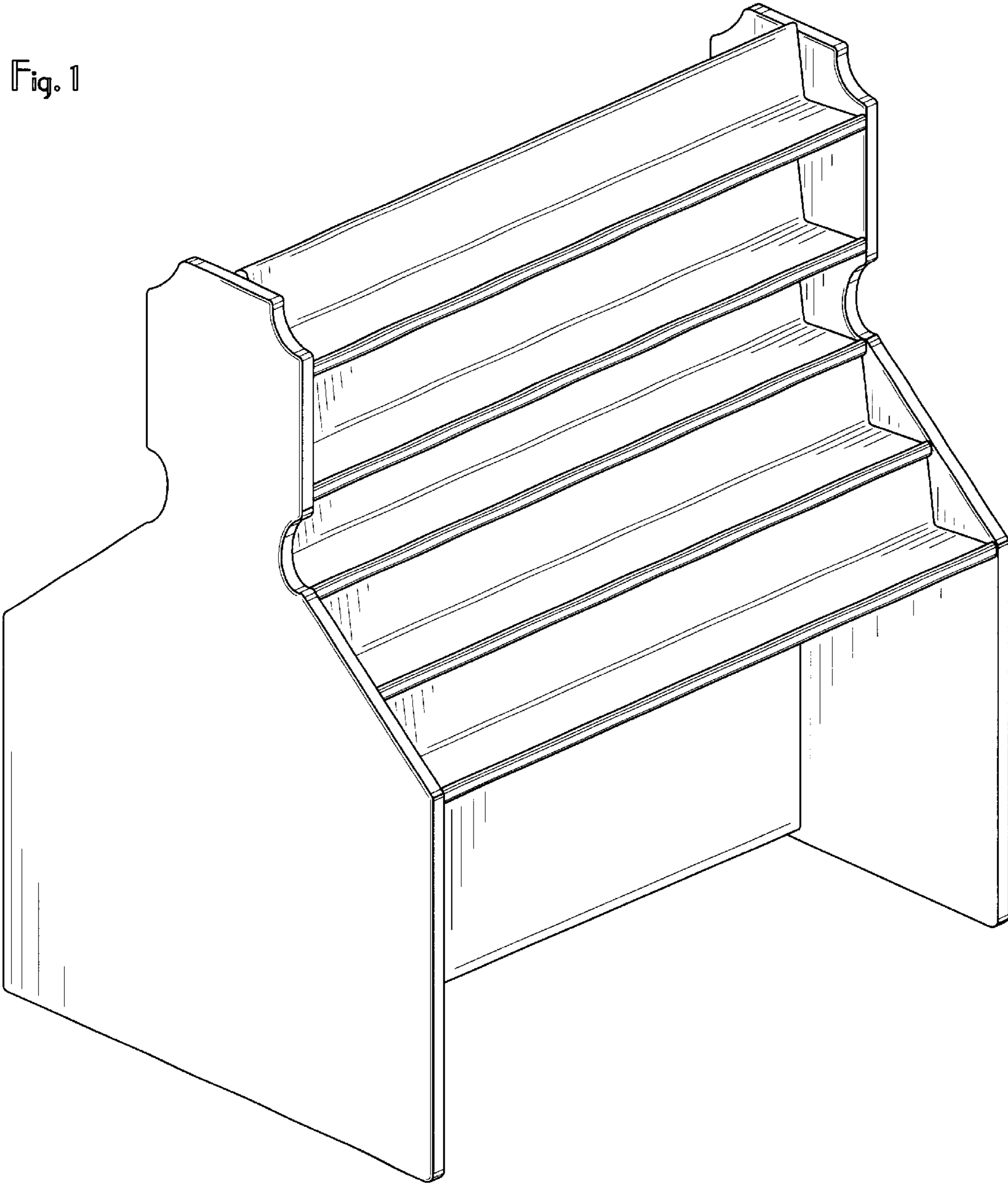
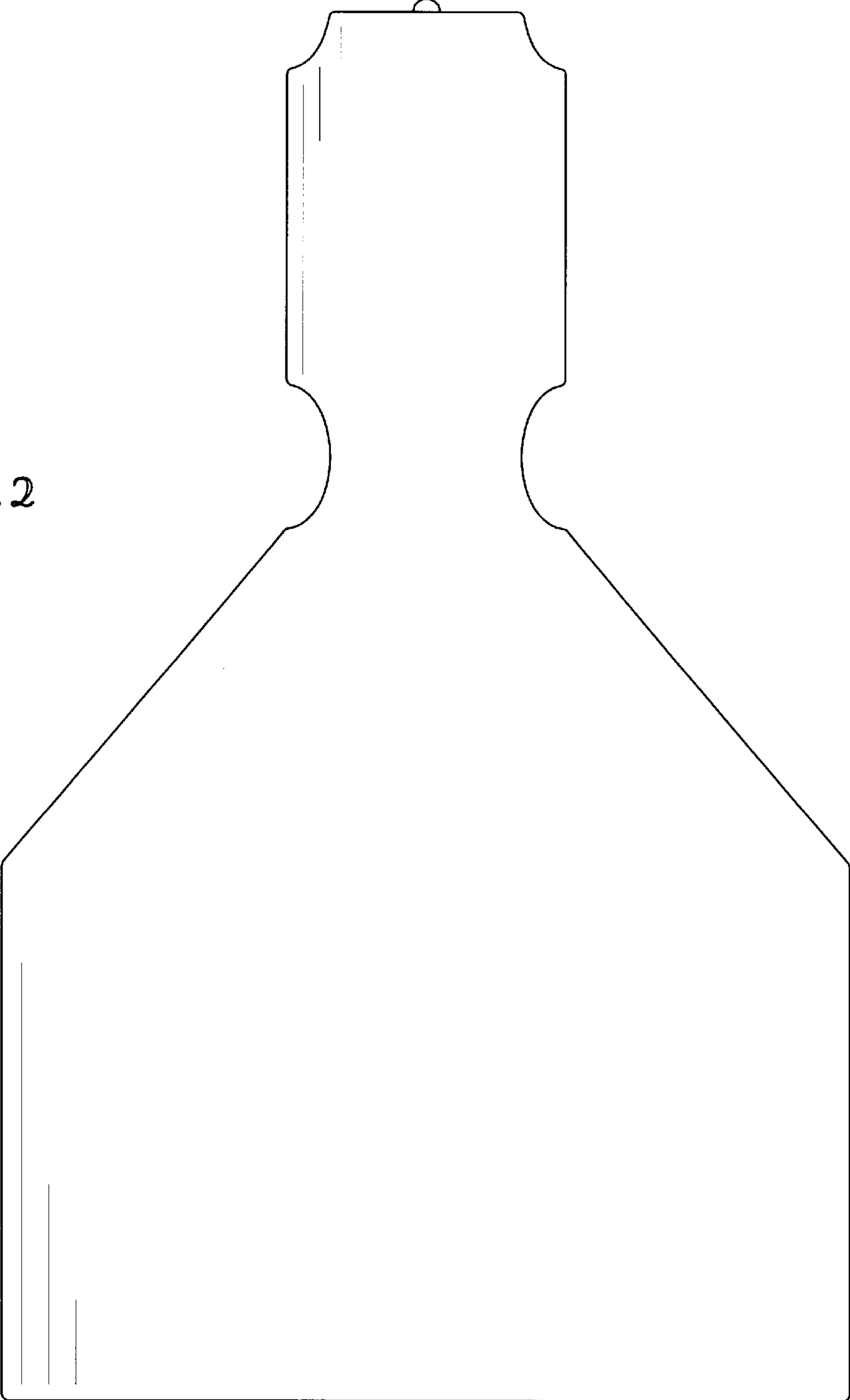


Fig. 2



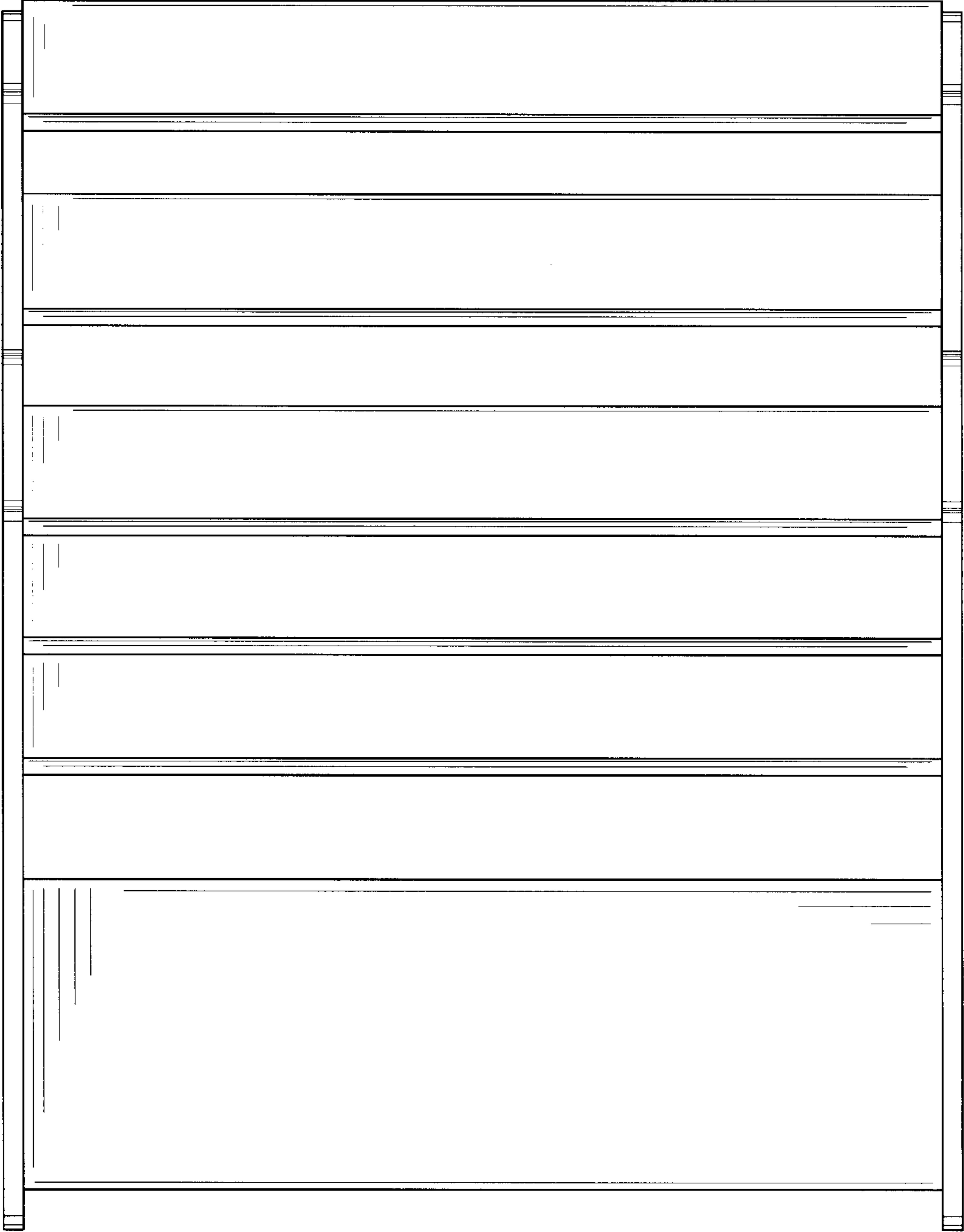


Fig. 3

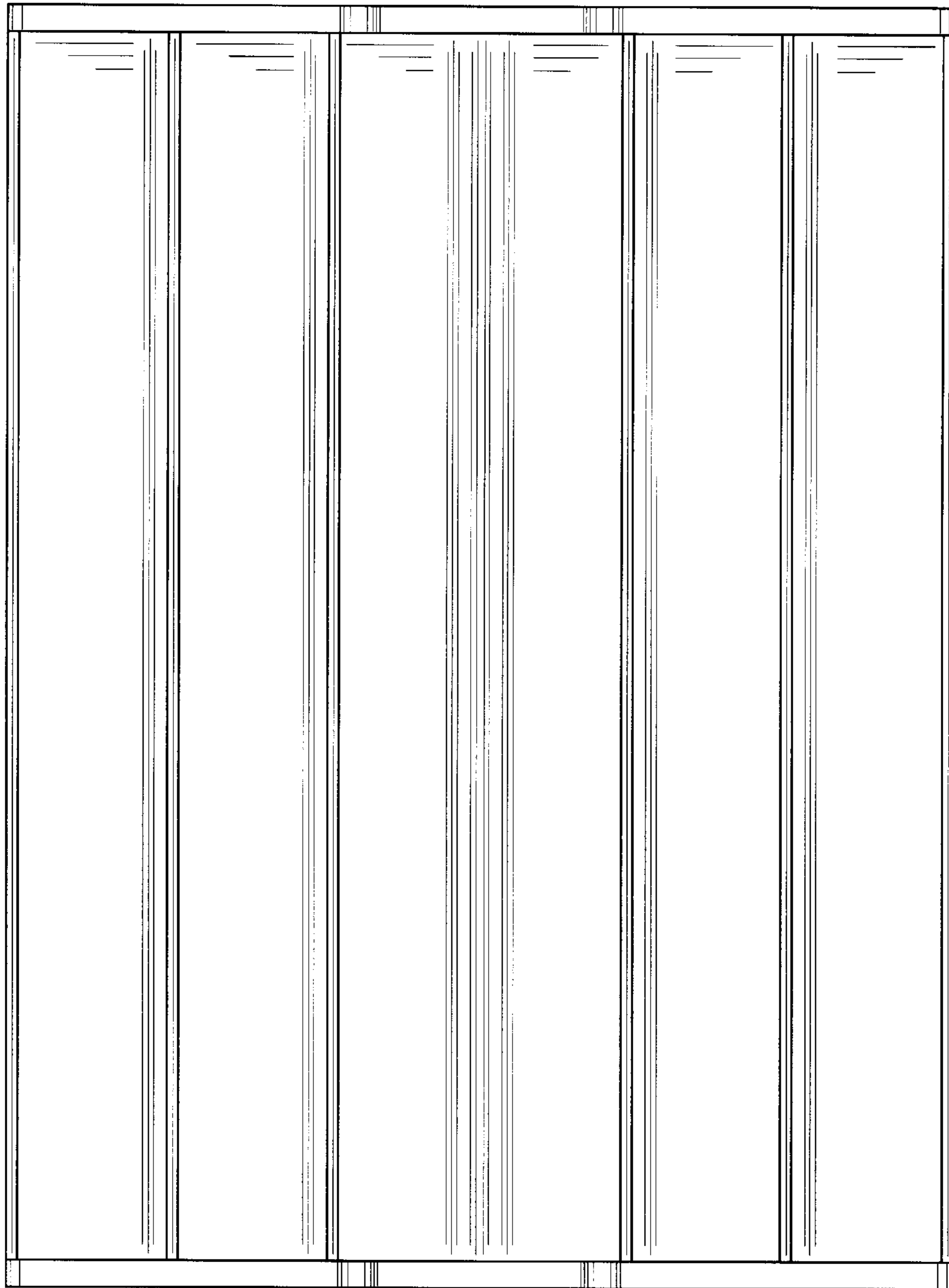


Fig. 4

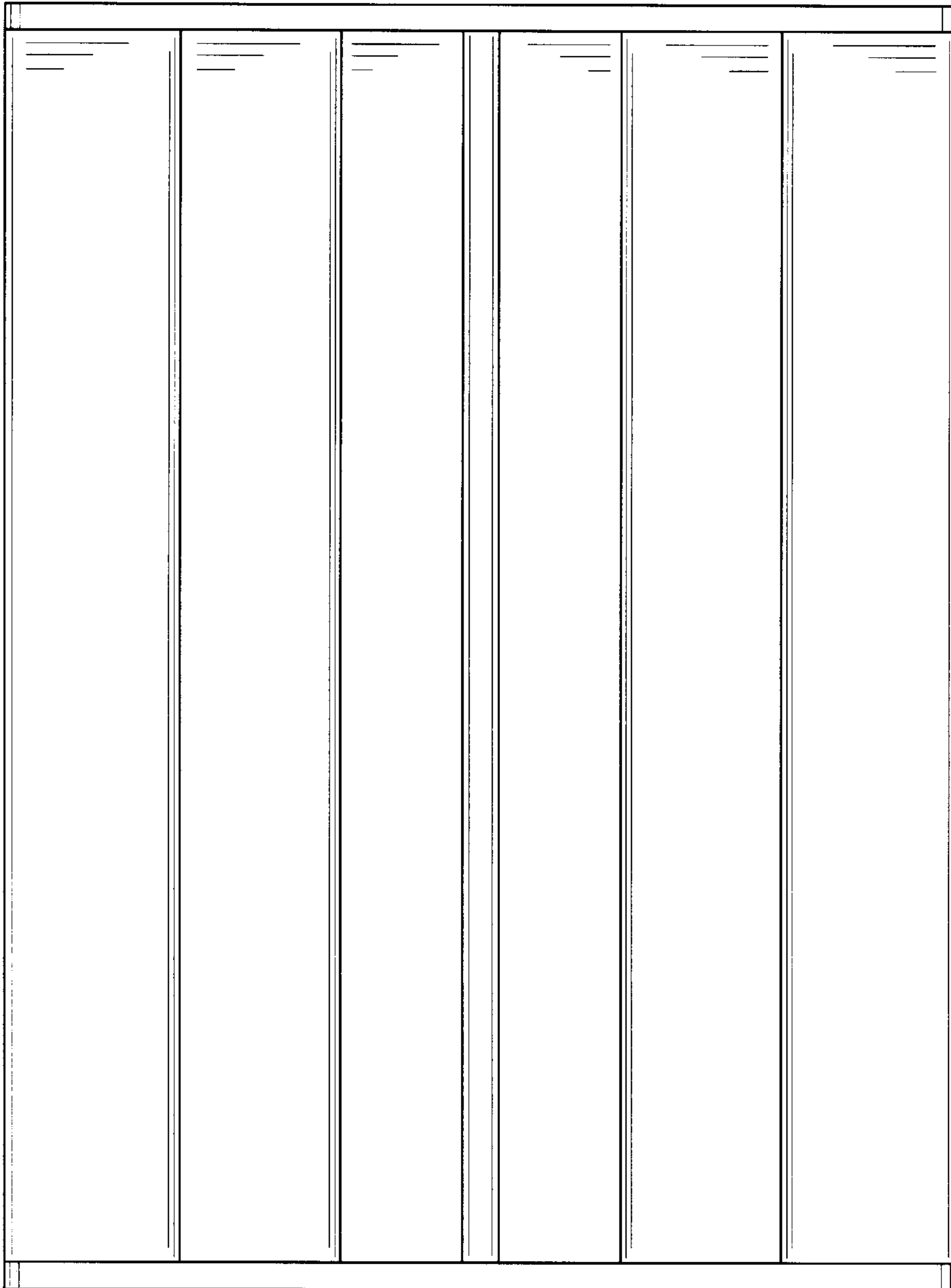


Fig. 5