



US00D509698S

(12) **United States Design Patent**
Torres

(10) **Patent No.:** **US D509,698 S**

(45) **Date of Patent:** **** Sep. 20, 2005**

(54) **INFLATABLE BED**

6,754,926 B2 * 6/2004 Wang 5/710
6,839,922 B1 * 1/2005 Foggett et al. 5/706

(75) **Inventor:** **D. Juan Ramon Torres, Barcelona (ES)**

OTHER PUBLICATIONS

(73) **Assignee:** **Industex, S.L., Barcelona (ES)**

Cabela's Master Catalog, Spring, 2003, p. 257, "Comfort-Rest Rising Comfort"™ air bed [retrieved Feb. 3, 2005]. Retrieved from internet using Google Advanced Catalog search, <URL:www.cabelas.com>.*

(**) **Term:** **14 Years**

* cited by examiner

(21) **Appl. No.:** **29/207,179**

(22) **Filed:** **Jun. 9, 2004**

Primary Examiner—Lucy Lieberman

(30) **Foreign Application Priority Data**

Dec. 15, 2003 (ES) 157729

(74) *Attorney, Agent, or Firm*—Larkin Hoffman Daly & Lindgren Ltd.; Thomas J. Oppold

(51) **LOC (8) Cl.** **06-09**

(57) **CLAIM**

(52) **U.S. Cl.** **D6/604; D6/605**

The ornamental design for an inflatable bed, as shown and described.

(58) **Field of Search** D6/595, 596, 604, D6/605, 601; D21/803, 809; 5/706–713, 690, 691, 731, 733, 737, 740, 630, 632, 633, 652, 654, 657, 655.3, 655.9, 655.5, 907

DESCRIPTION

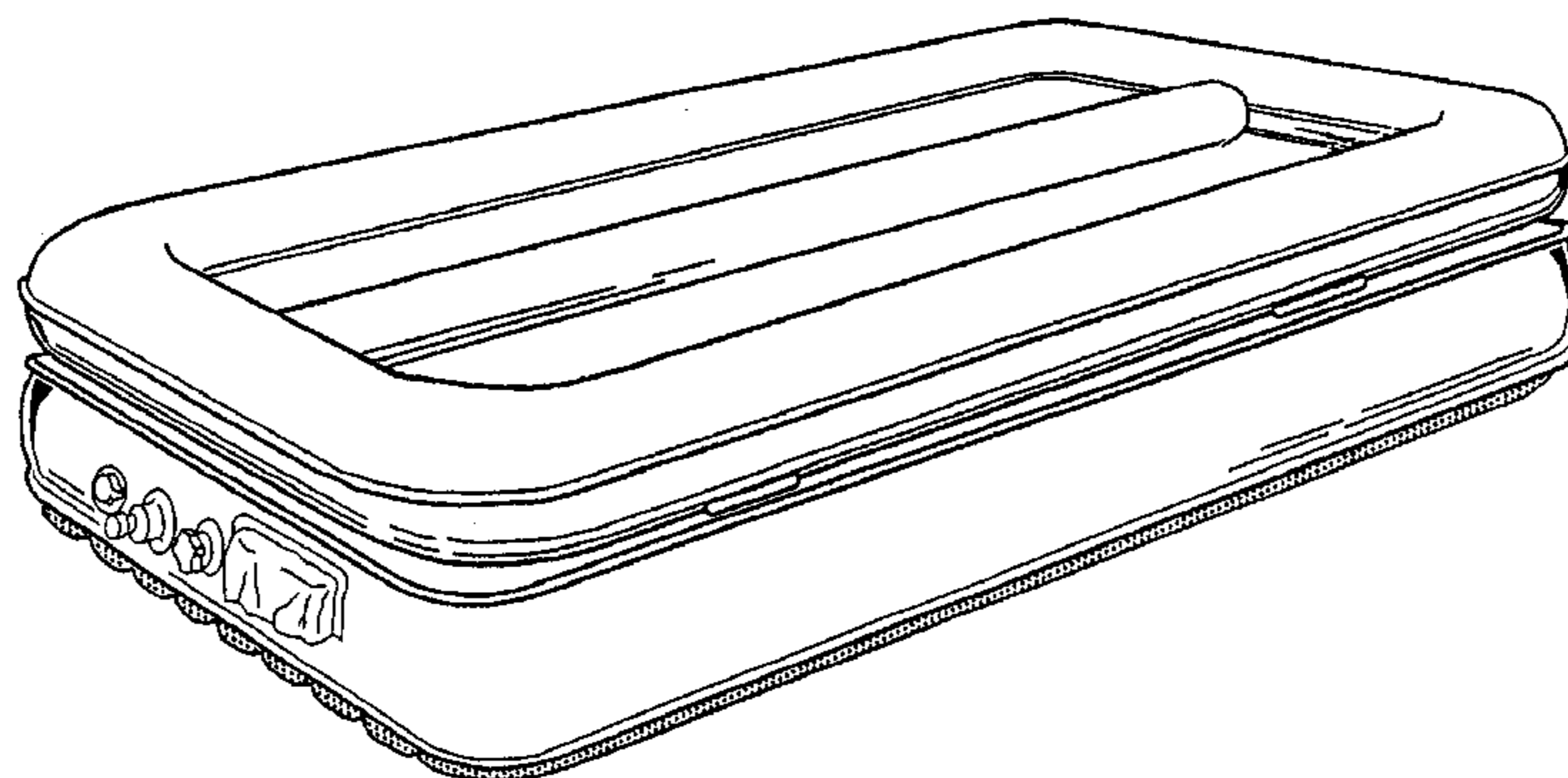
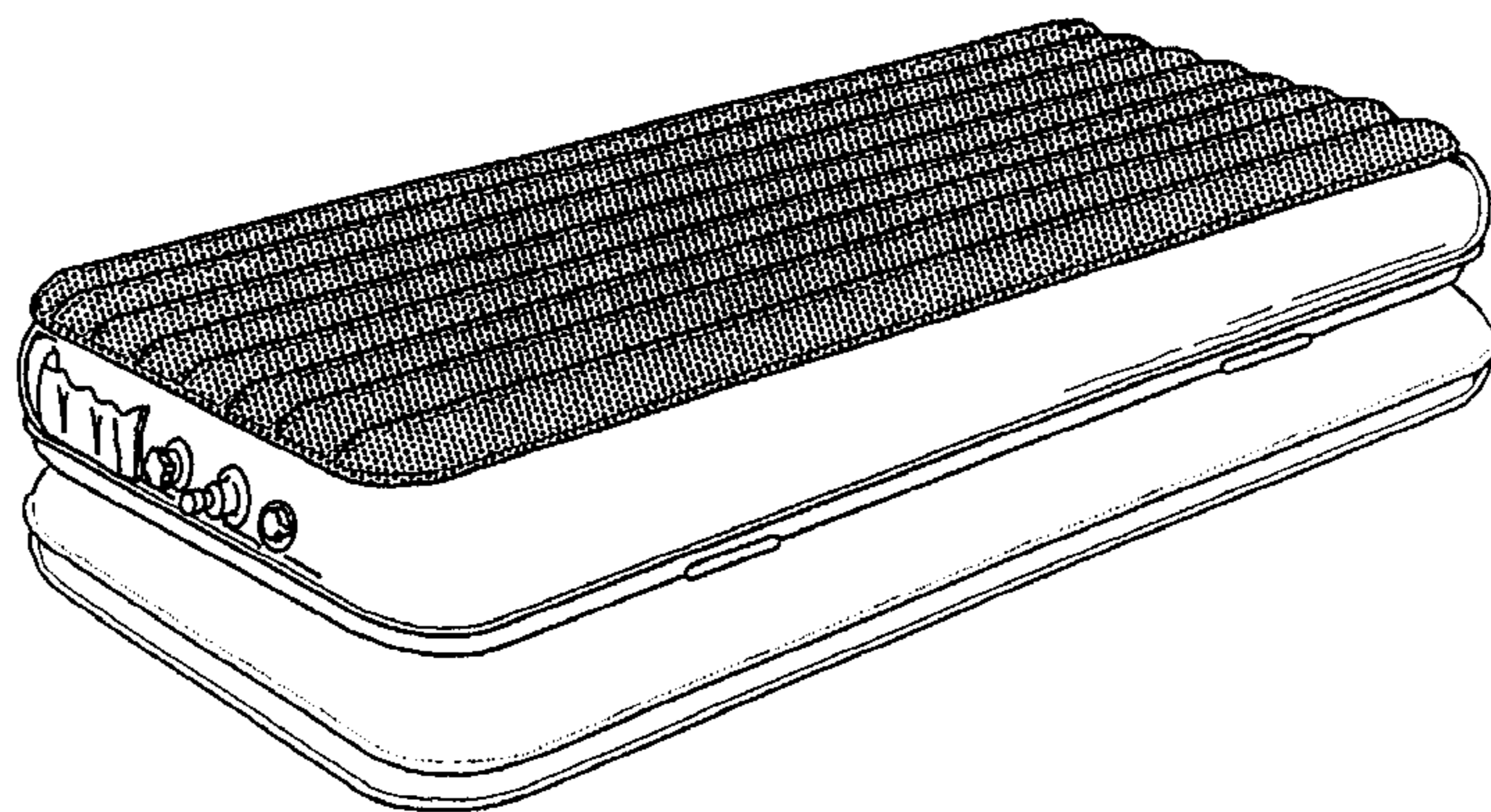
(56) **References Cited**

U.S. PATENT DOCUMENTS

4,876,756 A * 10/1989 Vaccaro 5/710
5,598,593 A * 2/1997 Wolfe 5/710
D407,937 S * 4/1999 Klimenko D6/596
D464,225 S * 10/2002 Boso et al. D6/604
6,671,910 B2 * 1/2004 Hsu et al. 5/710
6,701,559 B2 * 3/2004 Boso et al. 5/739
6,754,925 B1 * 6/2004 Wang 5/706

FIG. 1 is a perspective top view of the inflatable bed of the present invention;
FIG. 2 is a perspective bottom view of the inflatable bed of FIG. 1;
FIG. 3 is a bottom plan view of the inflatable bed of FIG. 1;
FIG. 4 is a side elevation of the inflatable bed as seen from the left side of FIG. 1;
FIG. 5 is a top plan view of the inflatable bed of FIG. 1; and,
FIG. 6 is a front side elevation view of the inflatable bed of FIG. 1.

1 Claim, 3 Drawing Sheets



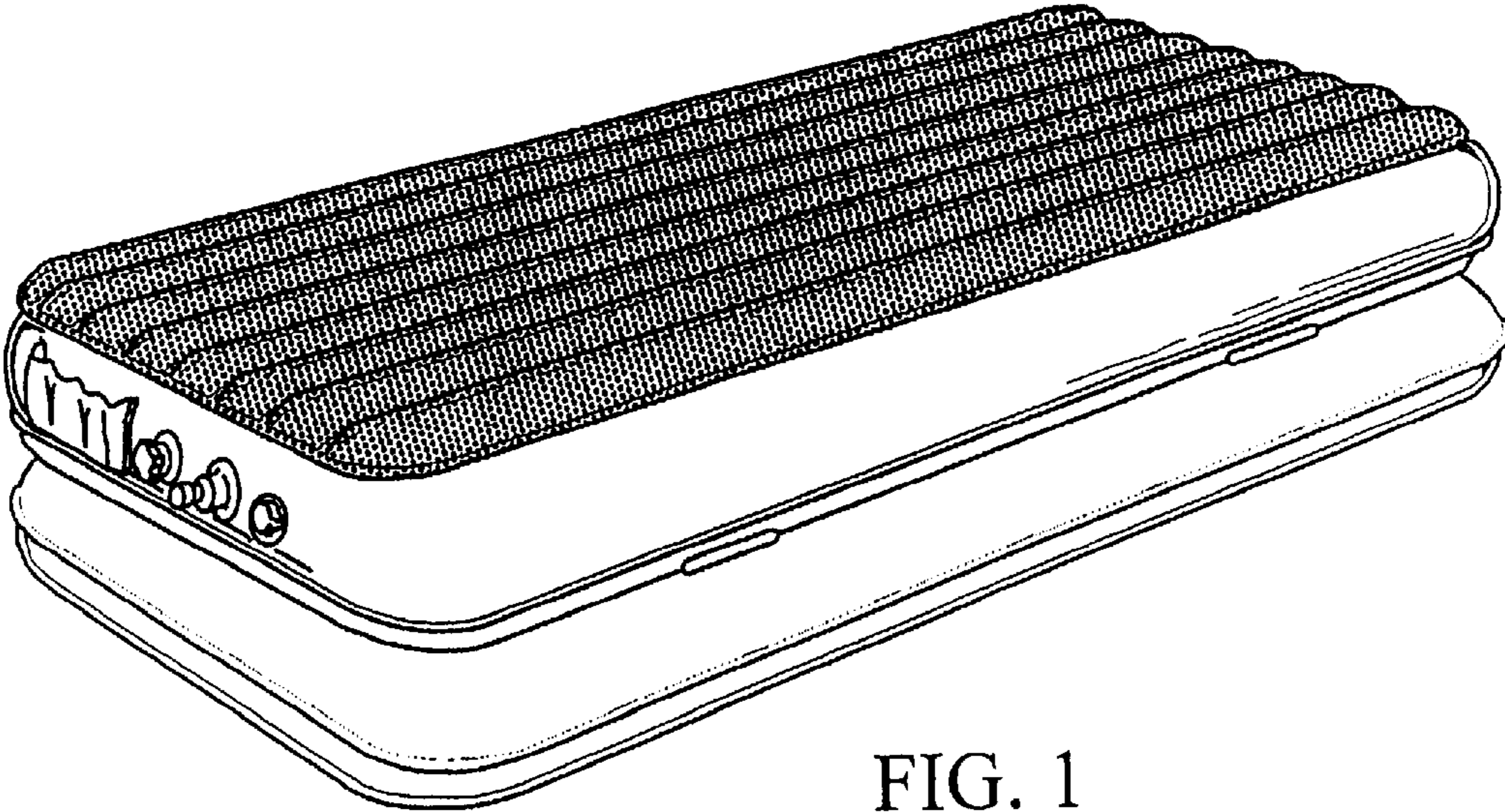


FIG. 1

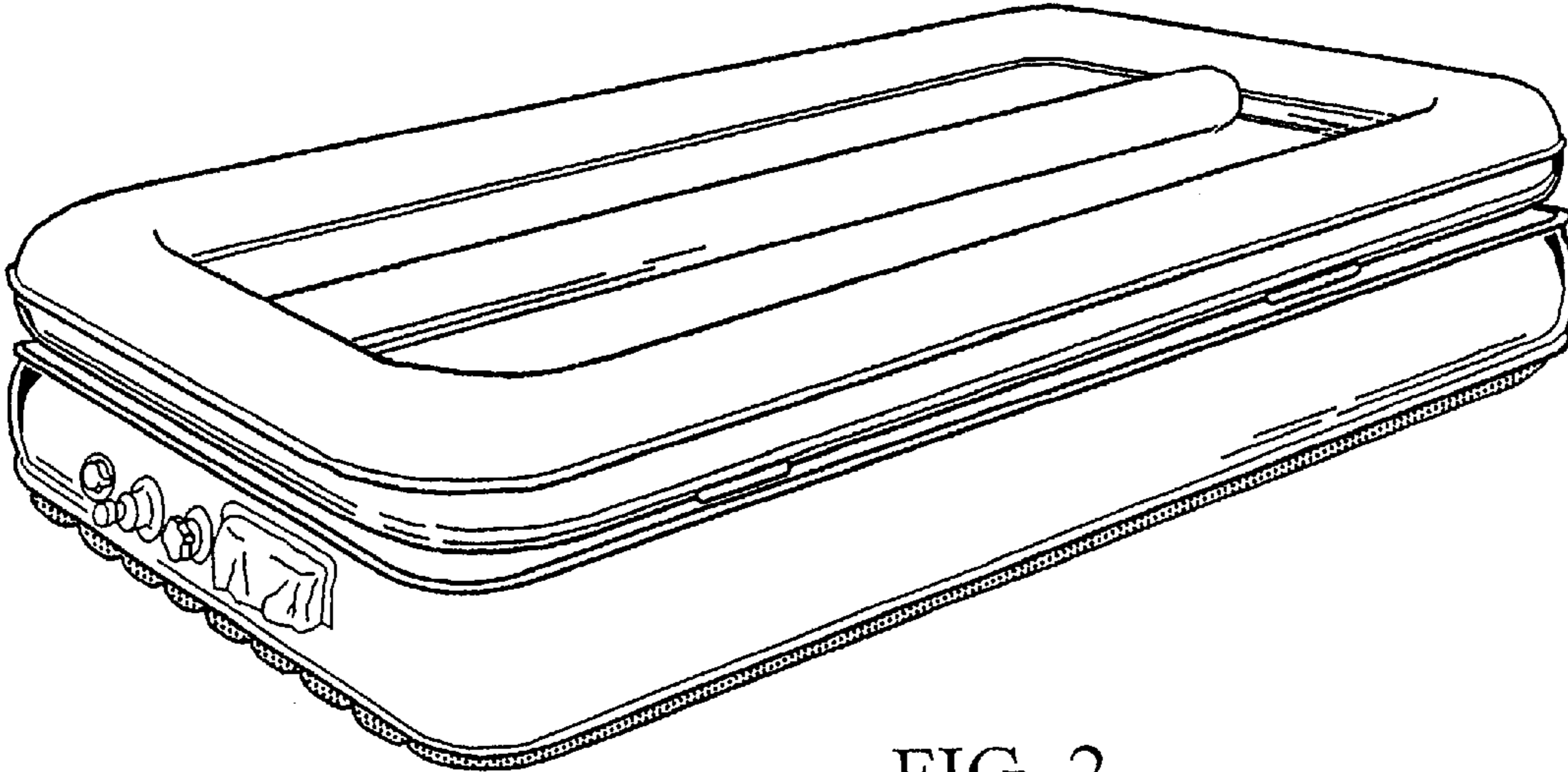


FIG. 2

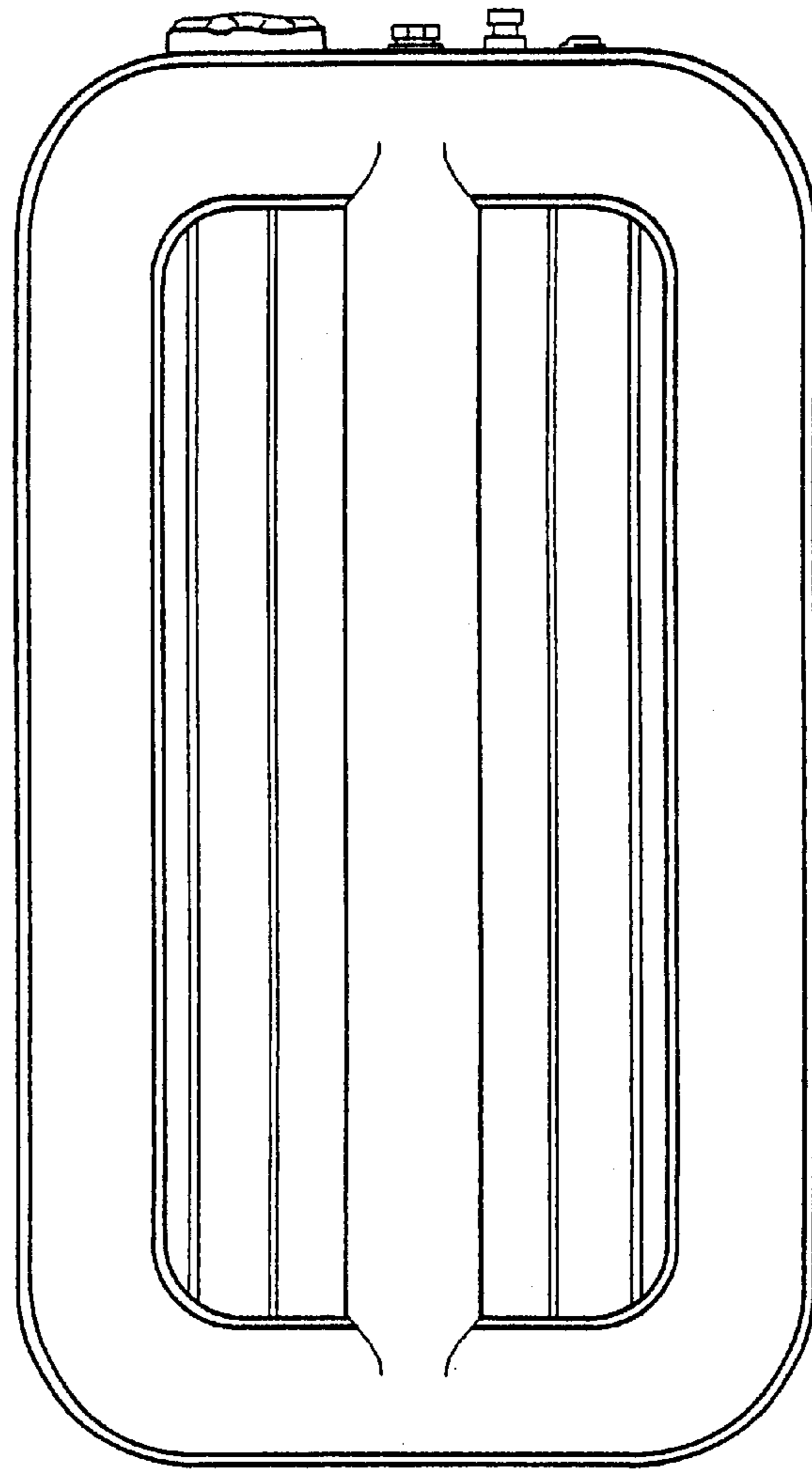


FIG. 3

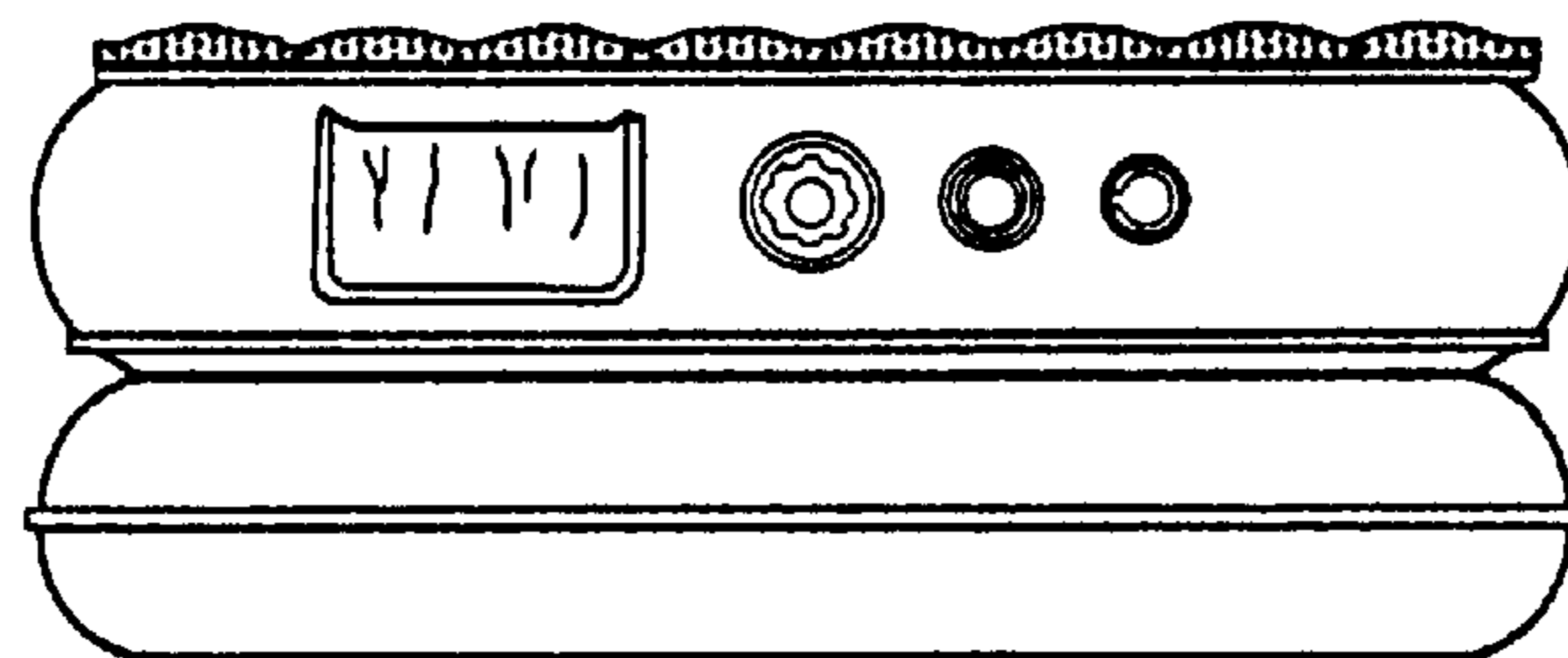


FIG. 4

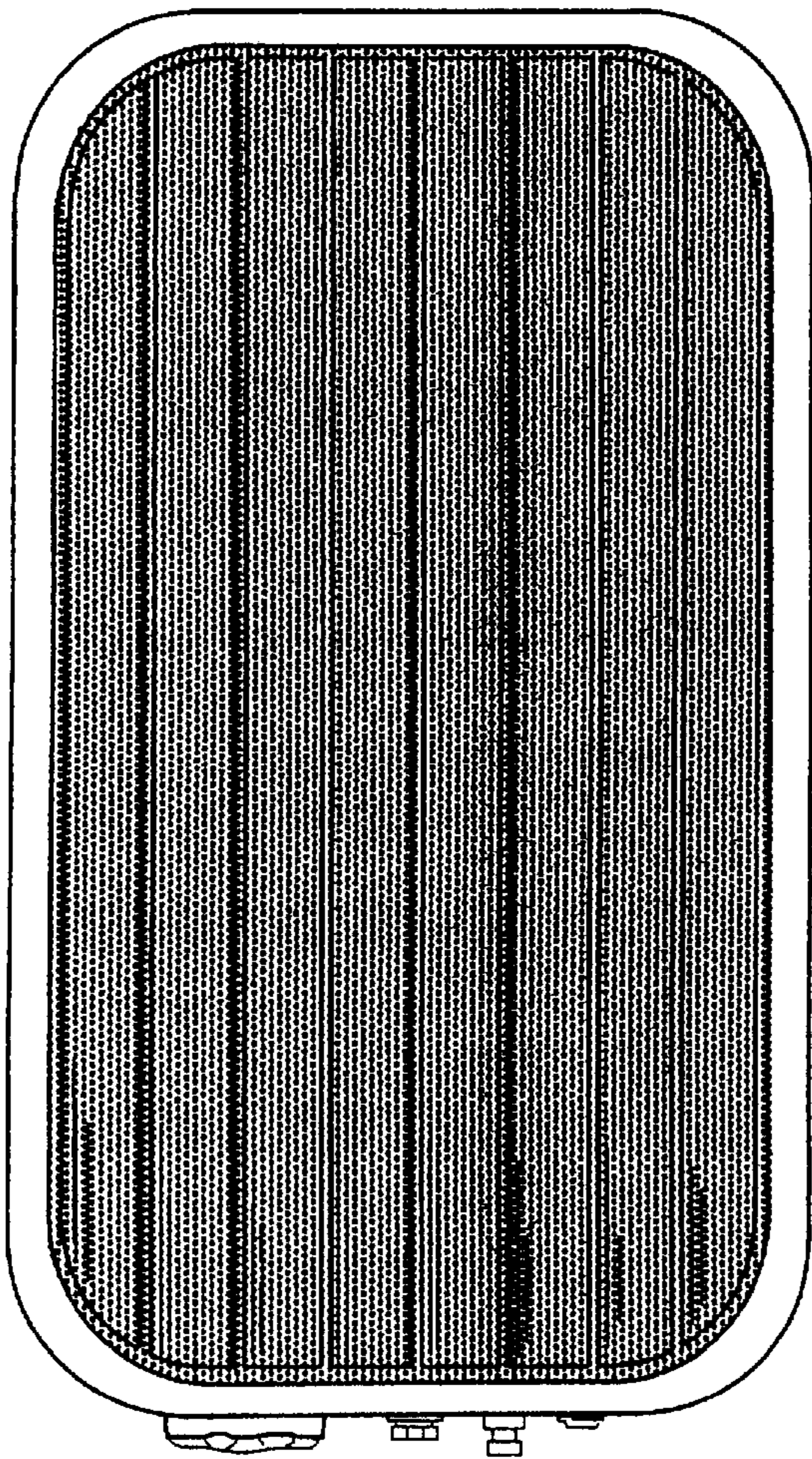


FIG. 5

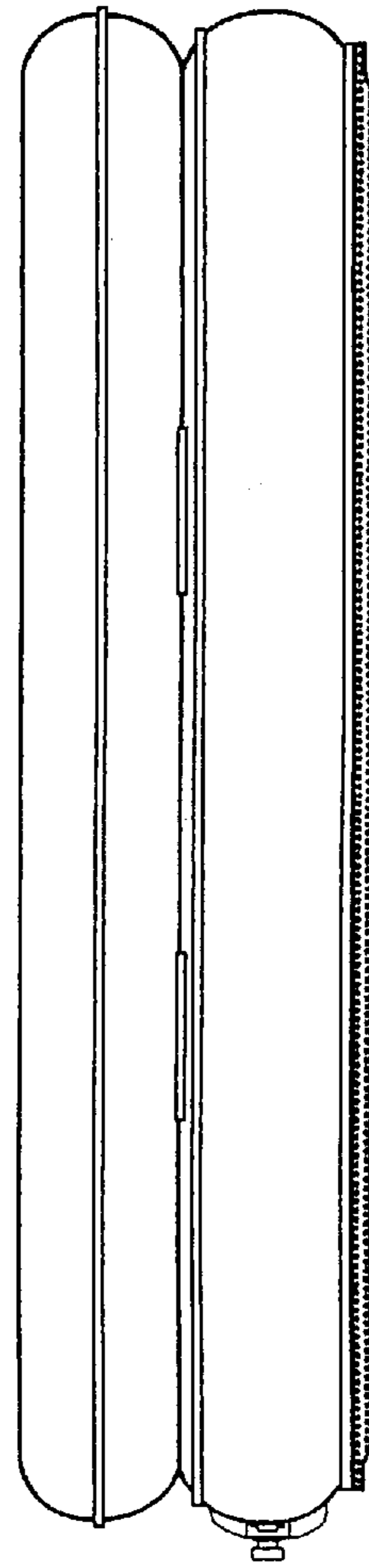


FIG. 6