



US00D509690S

(12) **United States Design Patent** (10) **Patent No.:** **US D509,690 S**
Wolpert et al. (45) **Date of Patent:** **** Sep. 20, 2005**

(54) **DISPENSER ROLL**

(75) Inventors: **Christopher Wolpert**, Scottsdale, AZ (US); **Gilbert C. Schmidt**, Cincinnati, OH (US); **David Memke**, Bainbridge Island, WA (US)

(73) Assignee: **The Dial Corporation**, Scottsdale, AZ (US)

(**) Term: **14 Years**

(21) Appl. No.: **29/207,848**

(22) Filed: **Jun. 18, 2004**

(51) **LOC (8) Cl.** **06-02**

(52) **U.S. Cl.** **D6/523**

(58) **Field of Search** D6/518-523; 242/570, 242/571, 572, 590, 596, 598, 599.1, 599.3, 600, 598.3

(56) **References Cited**

U.S. PATENT DOCUMENTS

2,522,109	A	*	9/1950	Foltis	242/599.3
D296,963	S	*	8/1988	Smallwood	D6/523
D324,618	S	*	3/1992	Morand	D6/523
5,340,047	A	*	8/1994	Heller	242/599.1
D405,305	S	*	2/1999	Hobgood	D6/523
D422,819	S	*	4/2000	Fong	D6/523
D427,828	S	*	7/2000	Senecal, Jr.	D6/523

* cited by examiner

Primary Examiner—Brian N Vinson
(74) *Attorney, Agent, or Firm*—Snell & Wilmer LLP

(57) **CLAIM**

The ornamental design for a dispenser roll, as shown and described.

DESCRIPTION

This application claims priority to U.S. Design patent application Ser. No. 29/189,923, filed Sep. 12, 2003, U.S. Design patent application Ser. No. 29/189,924 filed Sep. 12, 2003 and U.S. Design patent application Ser. No. 29/189,949, filed Sep. 12, 2003 all entitled "Dispenser Roll."

FIG. 1 is a top, front, and left side perspective view of a dispenser roll showing our new design;

FIG. 2 is a front elevational view thereof;

FIG. 3 is a rear elevational view thereof;

FIG. 4 is a right end elevational view thereof;

FIG. 5 is a left end elevational view thereof;

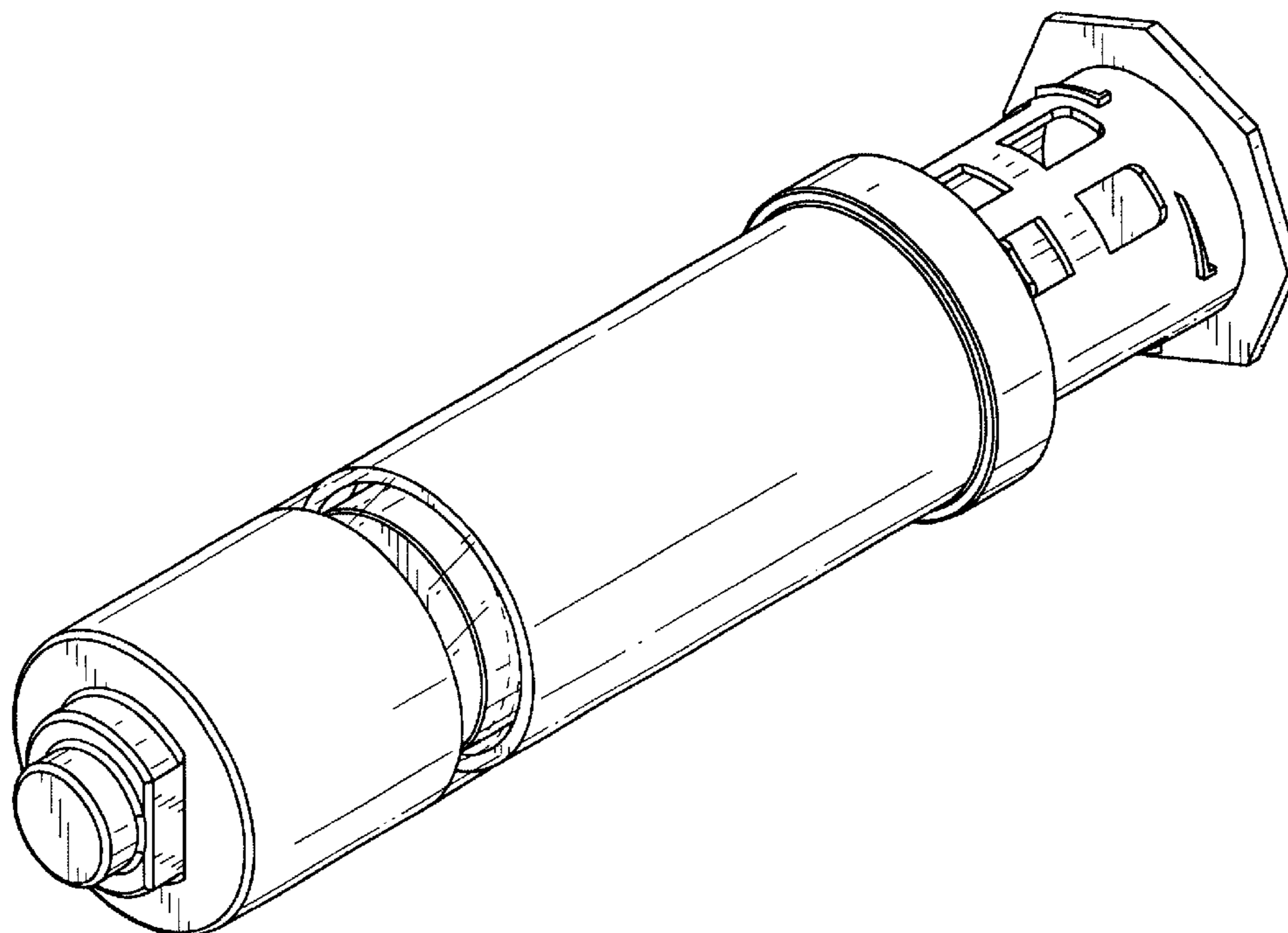
FIG. 6 is a top, front, and left side perspective view of the left end portion of the roll thereof;

FIG. 7 is a front elevational view of the right end portion of the roll thereof; and,

FIG. 8 is a rear elevational view of the right end portion of the roll thereof.

The broken-line disclosure in the views is for illustrative purposes only and forms no part of the claimed design.

1 Claim, 5 Drawing Sheets



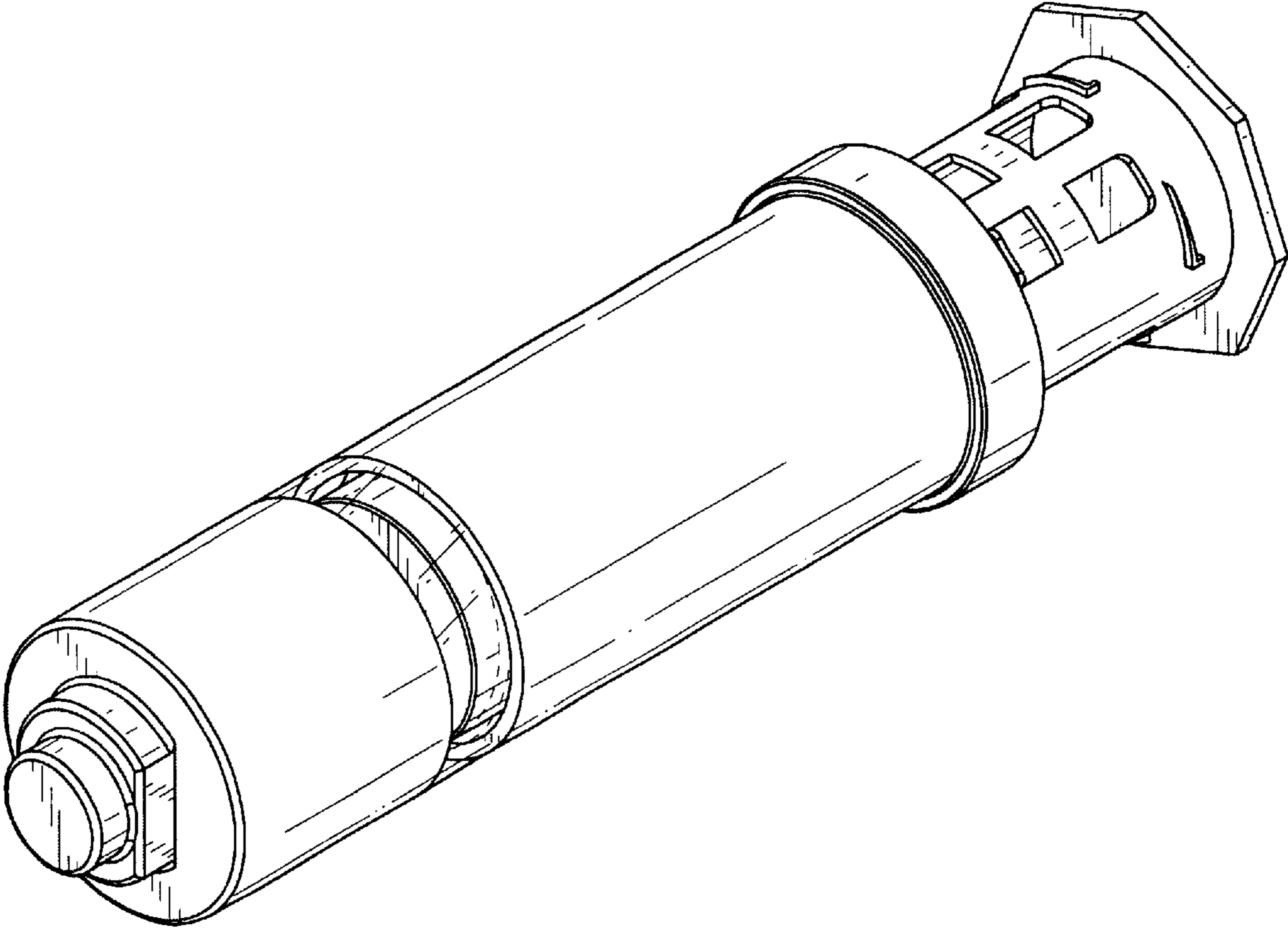


FIG.1

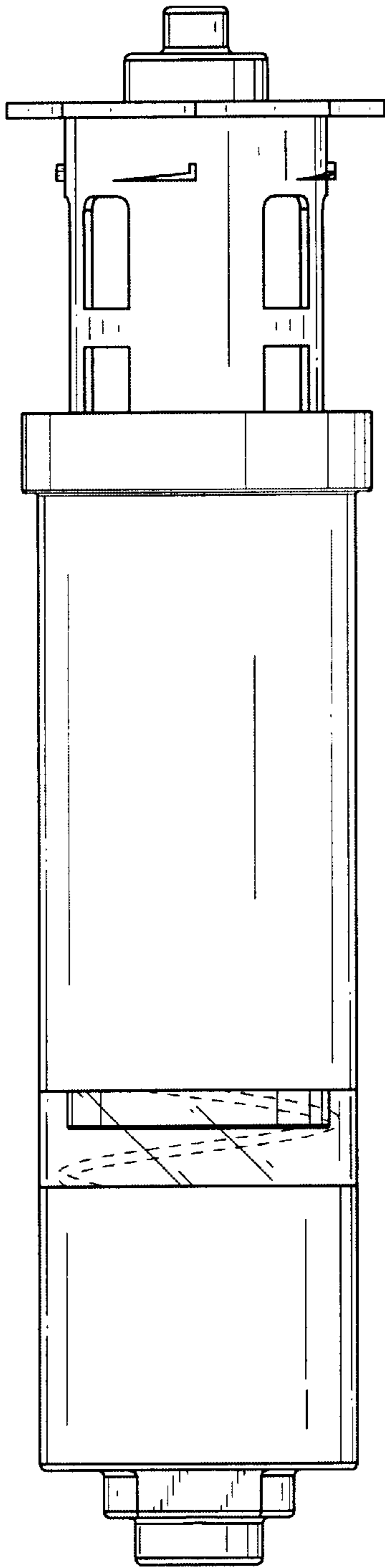


FIG. 2

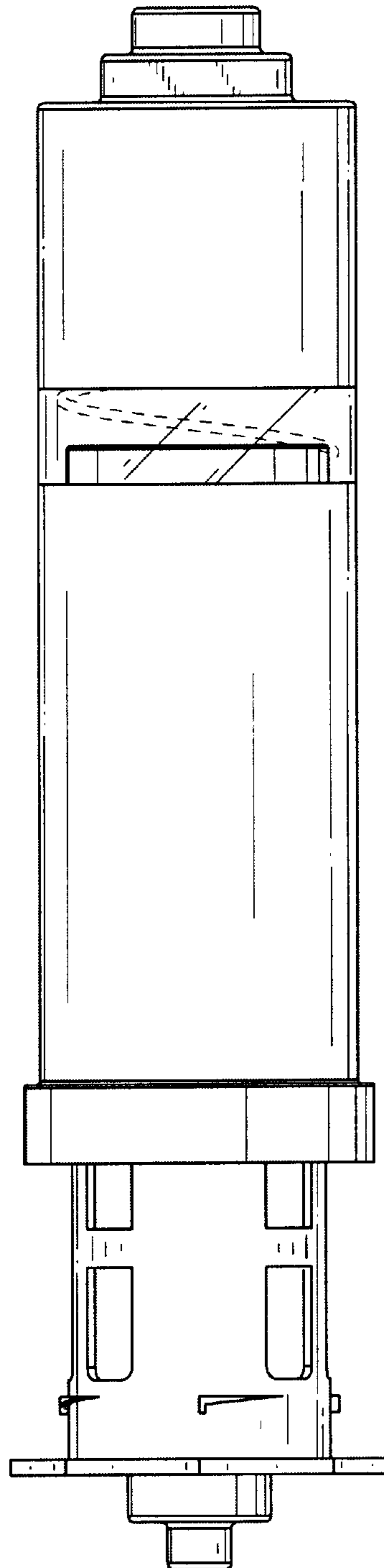


FIG. 3

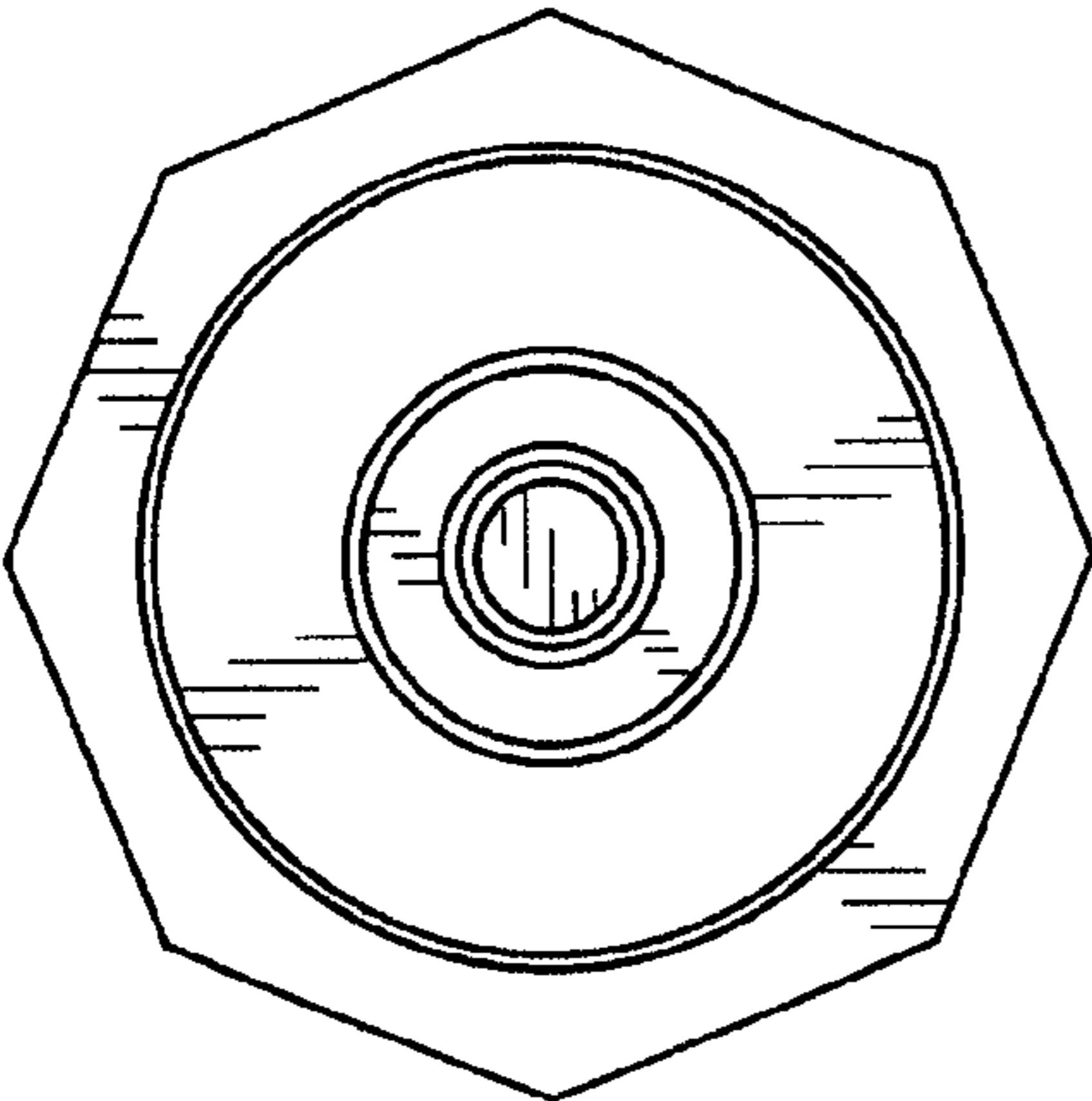


FIG.4

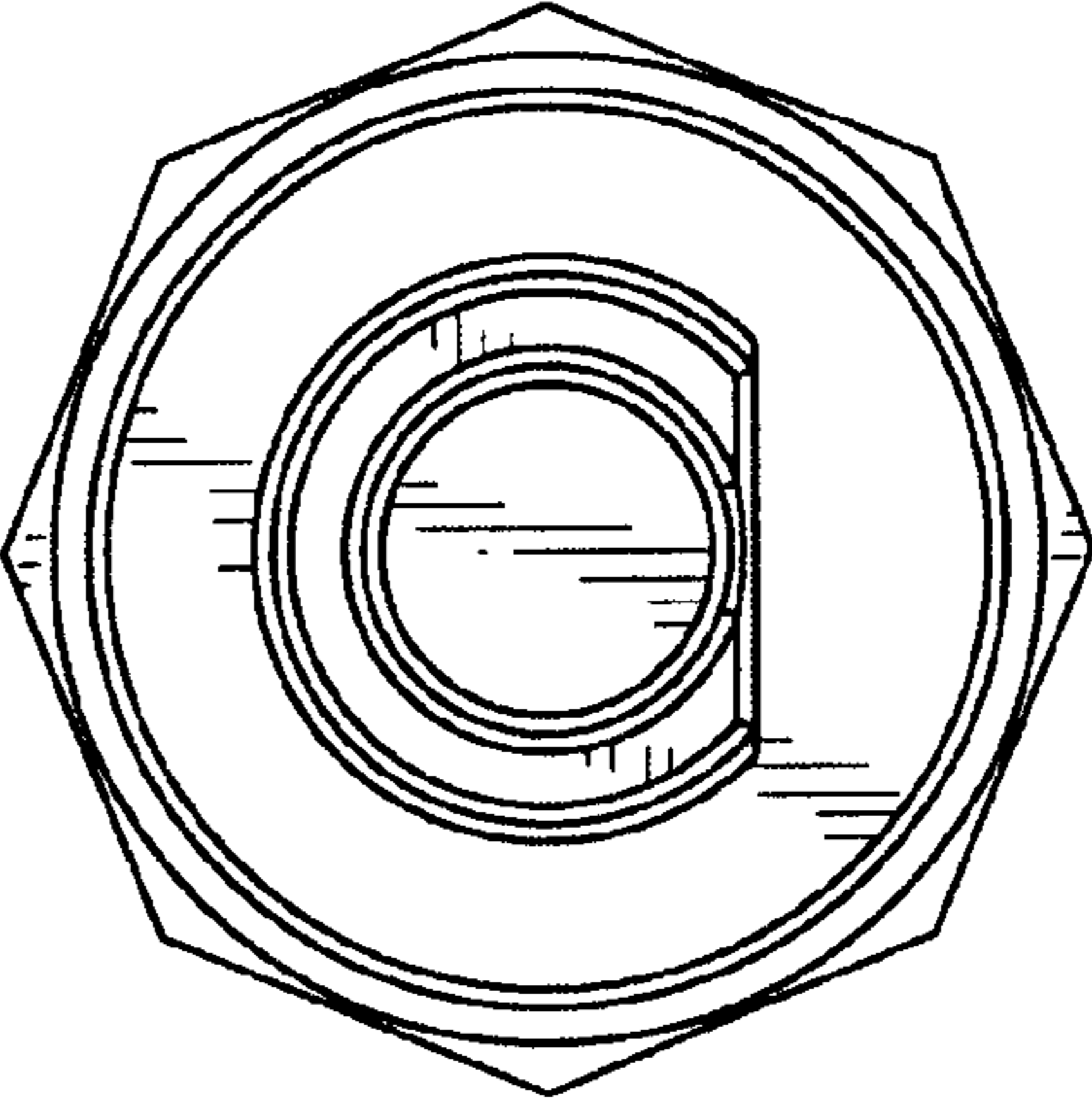


FIG.5

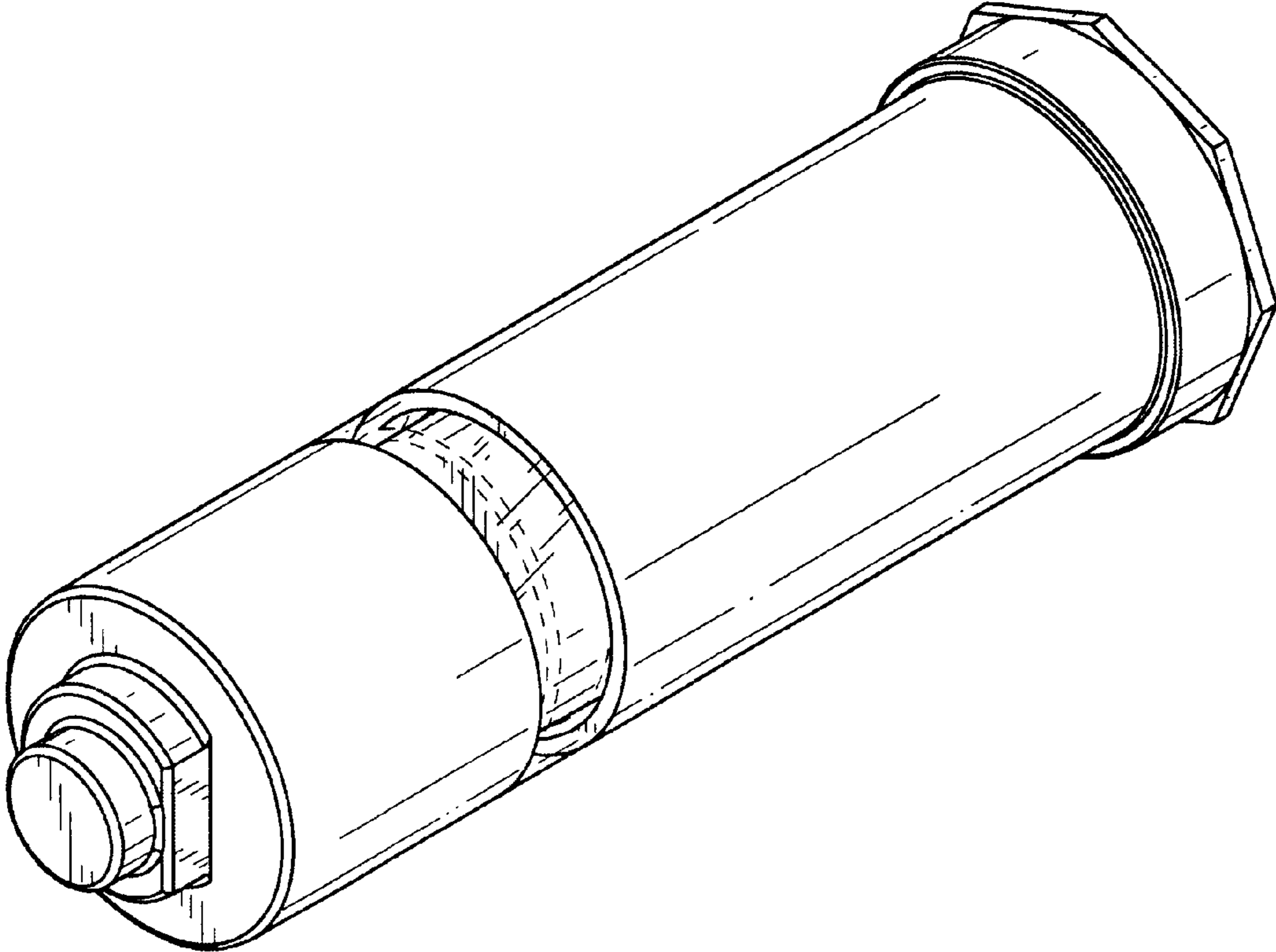


FIG.6

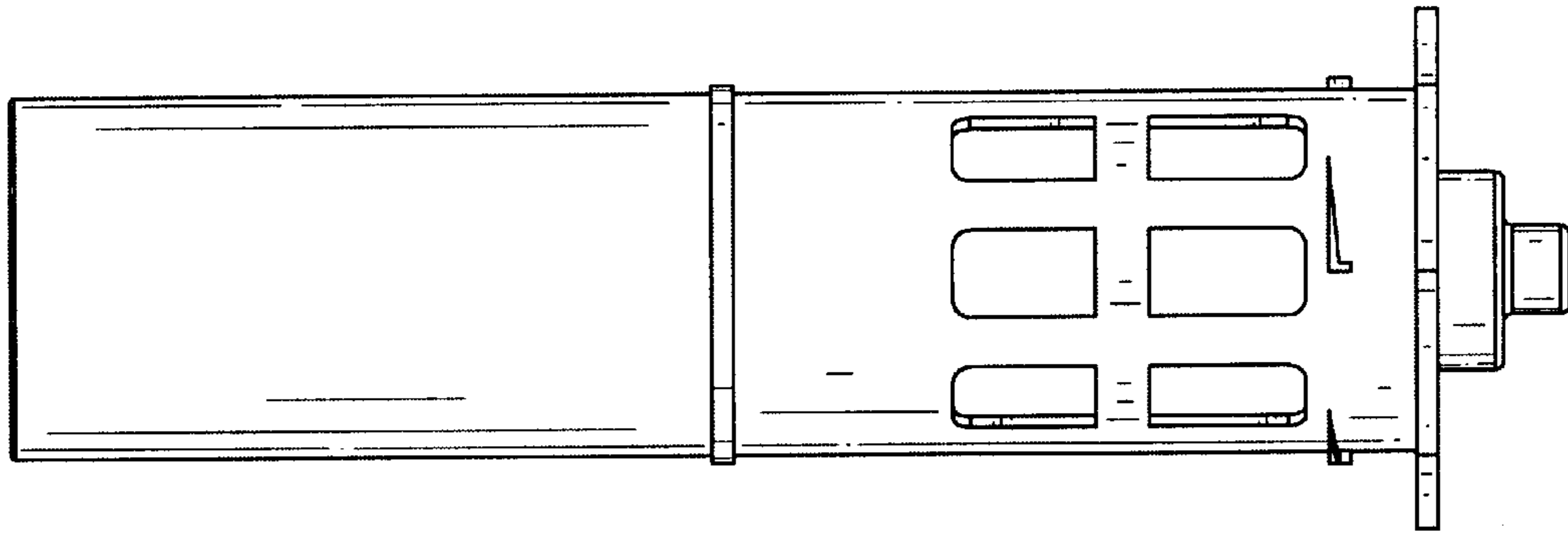


FIG. 7

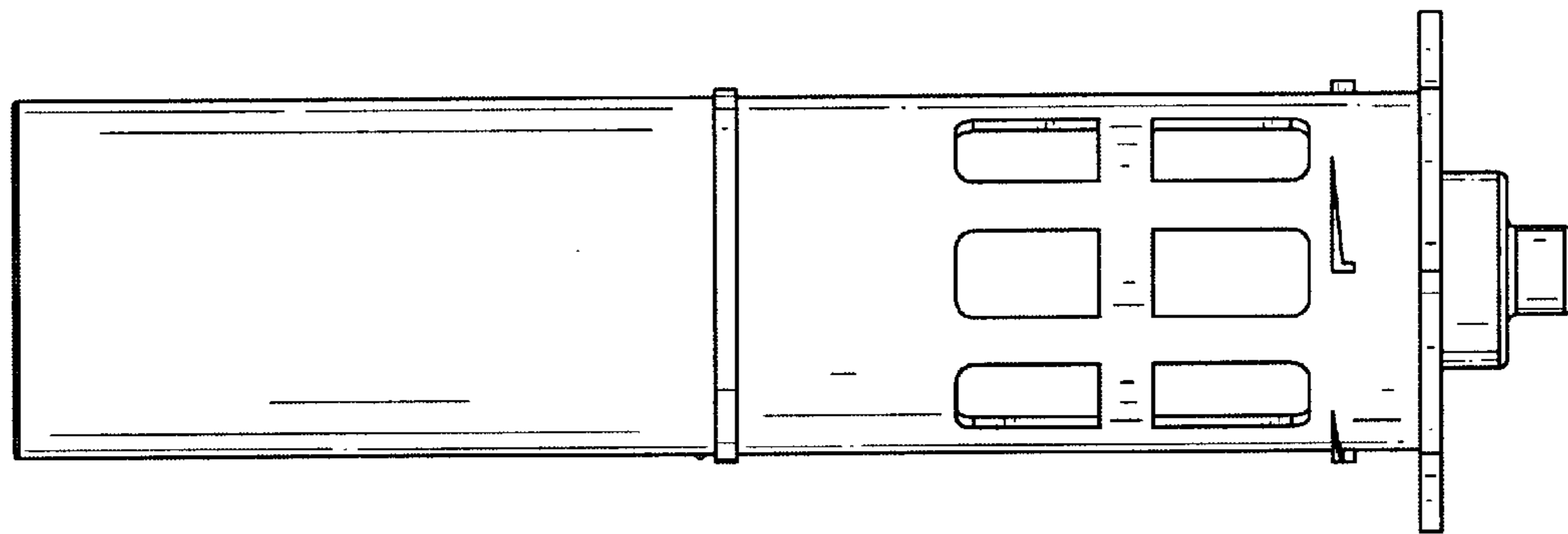


FIG. 8