

US00D509688S

(12) **United States Design Patent**
Lynch et al.

(10) **Patent No.: US D509,688 S**

(45) **Date of Patent: ** *Sep. 20, 2005**

(54) **DRAWER FACE FOR A VERTICAL FILE, A SAFE, OR THE LIKE**

D464,795 S * 10/2002 Lin et al. D6/432
D485,041 S * 1/2004 Paris et al. D99/28
D485,960 S * 1/2004 Paris et al. D99/43

(75) Inventors: **Peter F. Lynch**, Skaneateles, NY (US);
Scott W. Osiecki, Skaneateles, NY (US);
Todd B. Abernethy, Skaneateles, NY (US)

* cited by examiner

Primary Examiner—Cathron C. Brooks
(74) *Attorney, Agent, or Firm*—Jaeckle Fleischmann & Mugel, LLP

(73) Assignee: **John D. Brush & Co., Inc.**, Rochester, NY (US)

(57) **CLAIM**

(*) Notice: This patent is subject to a terminal disclaimer.

The ornamental design for a drawer face for a vertical file, a safe, or the like, as shown and described.

(**) Term: **14 Years**

DESCRIPTION

(21) Appl. No.: **29/180,439**

FIG. 1 is a perspective view of a first embodiment of the design.

(22) Filed: **Apr. 23, 2003**

FIG. 2 is a top view of a first embodiment of the design.

(51) **LOC (8) Cl.** **06-06**

FIG. 3 is a front elevational view of a first embodiment of the design.

(52) **U.S. Cl.** **D6/510; D99/43**

FIG. 4 is a side view of a first embodiment of the design.

(58) **Field of Search** D6/509, 510, 432,
D6/448; D99/28, 43; D13/162, 177; 109/59 R,
64, 78, 79; 312/215, 222

FIG. 5 is a perspective view of a second embodiment of the design.

FIG. 6 is a top view of a second embodiment of the design.

FIG. 7 is a front elevational view of a second embodiment of the design; and,

FIG. 8 is a side view of a second embodiment of the design.

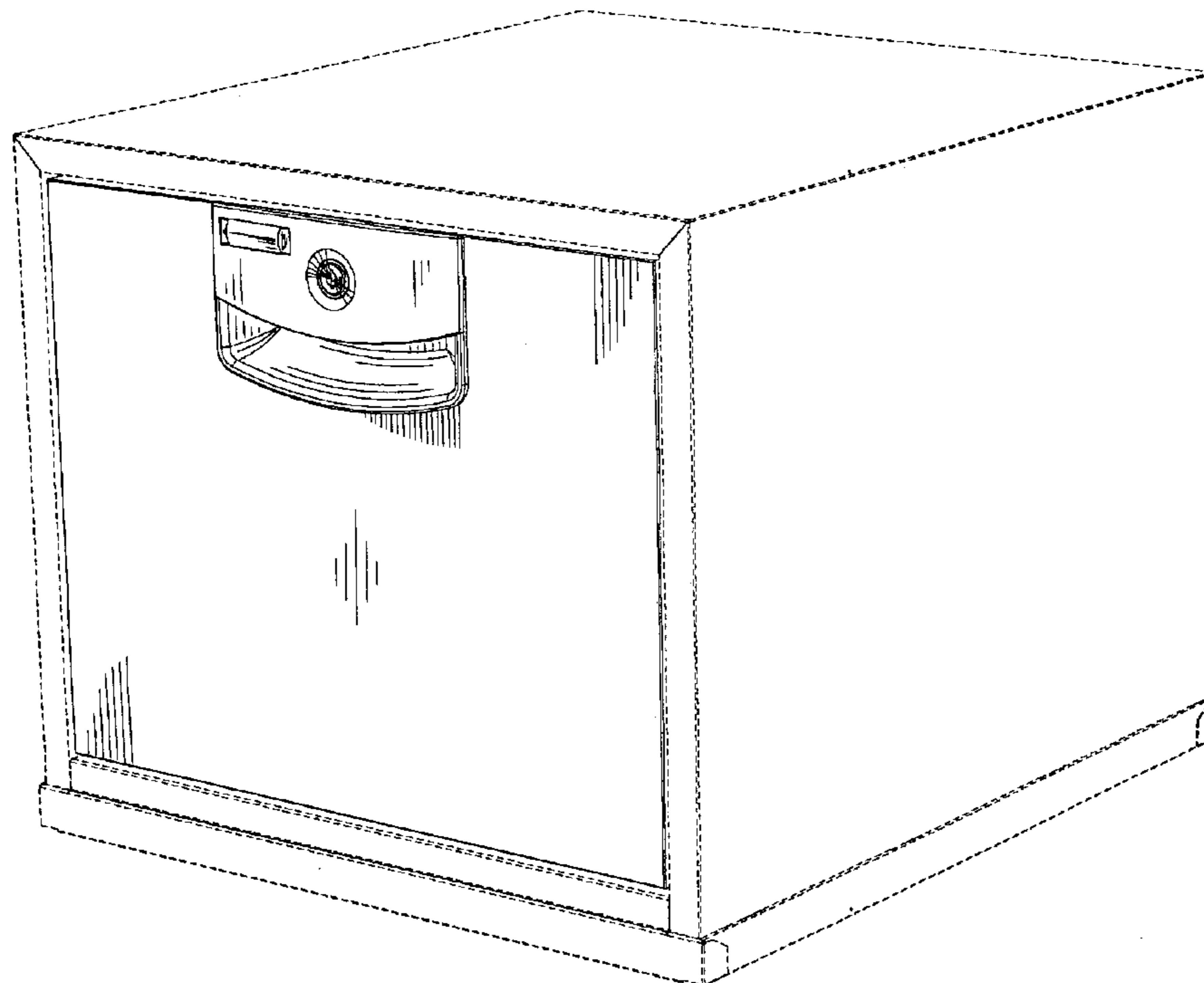
The broken line showing of a safe is for illustrative purposes only and forms no part of the claimed design.

(56) **References Cited**

U.S. PATENT DOCUMENTS

D272,619 S * 2/1984 Elmenyawi D13/177
D372,017 S * 7/1996 Suematsu et al. D13/110
D433,553 S * 11/2000 Goldstein D99/43

1 Claim, 4 Drawing Sheets



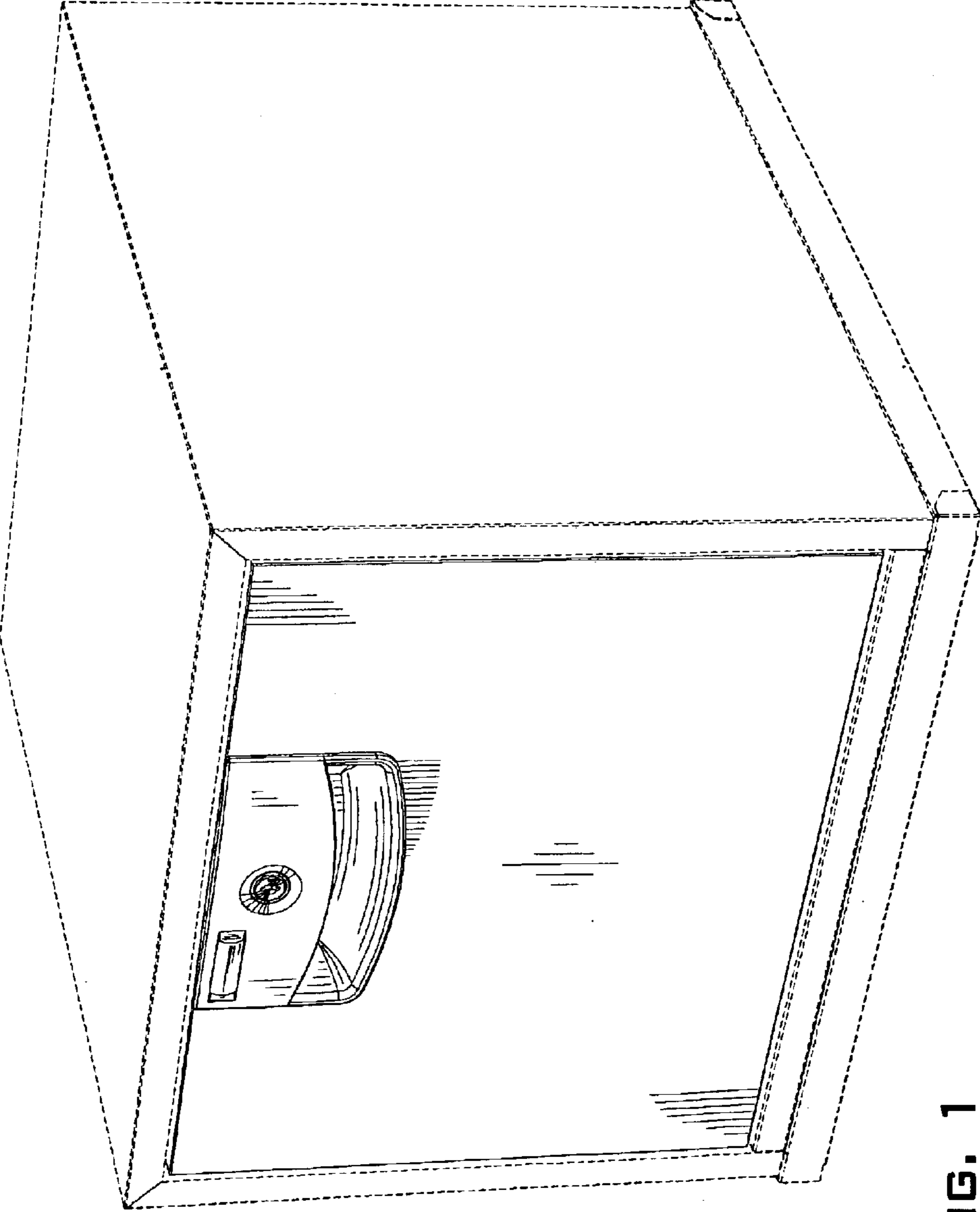


FIG. 1

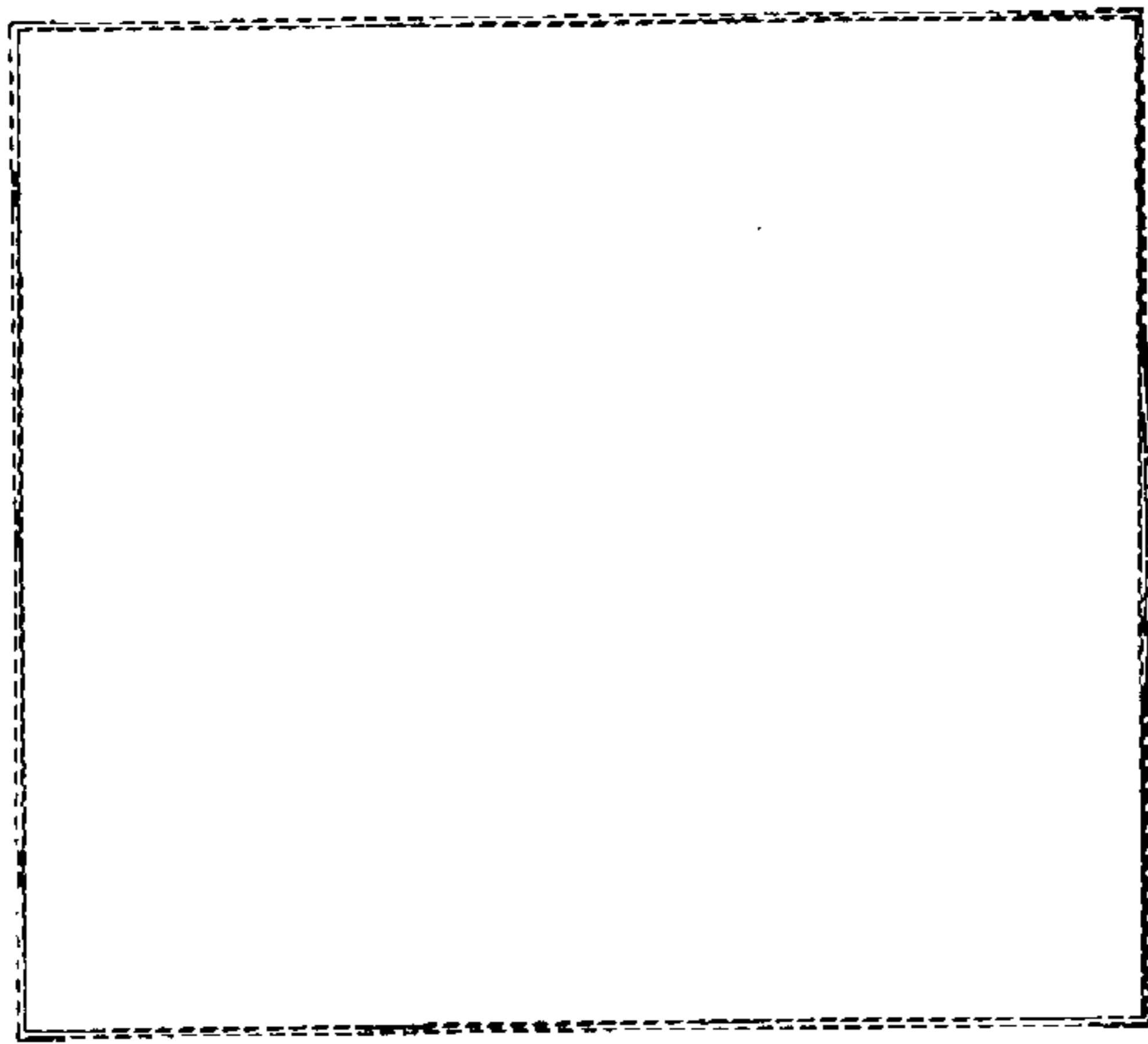


FIG. 2

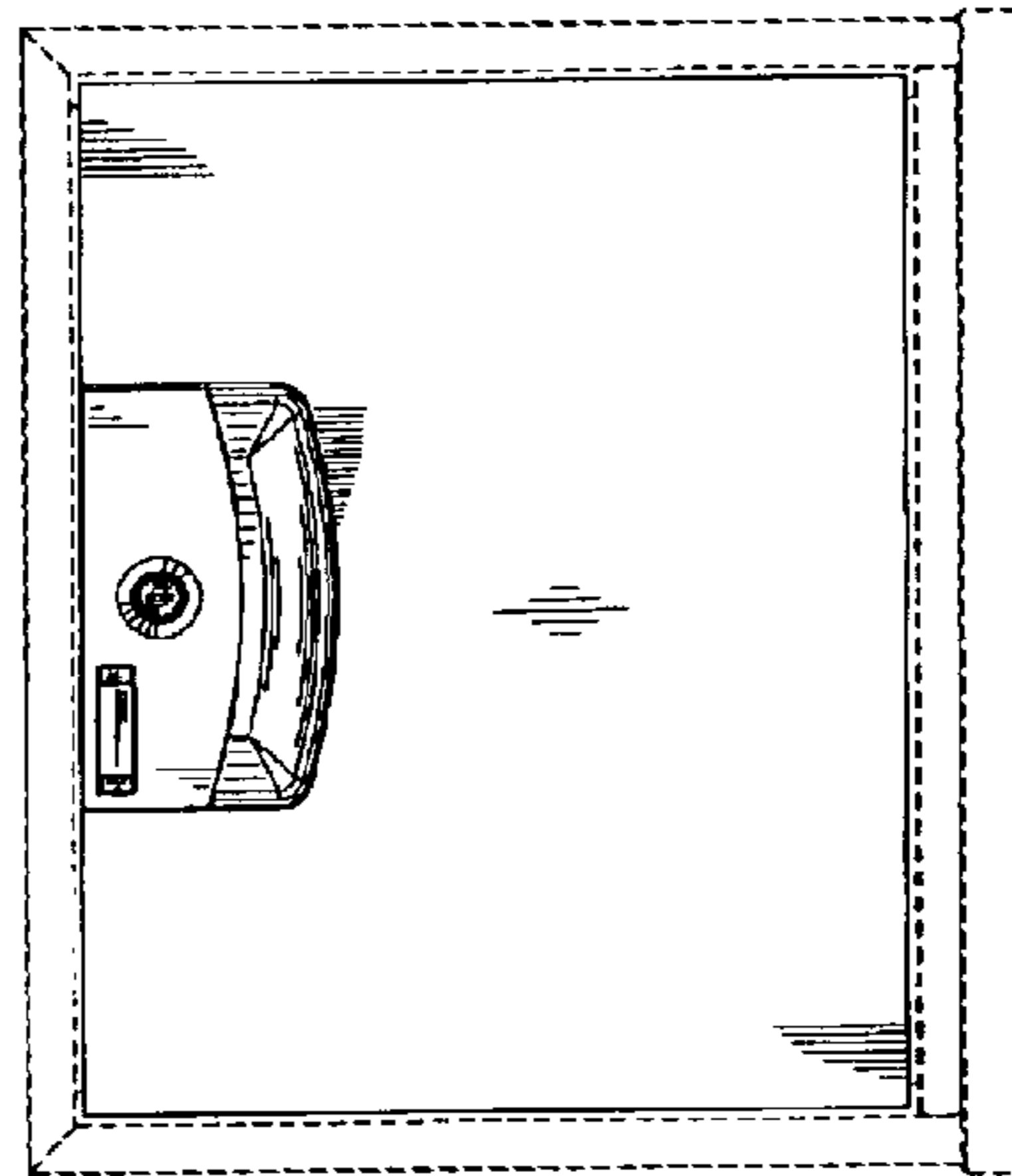


FIG. 3

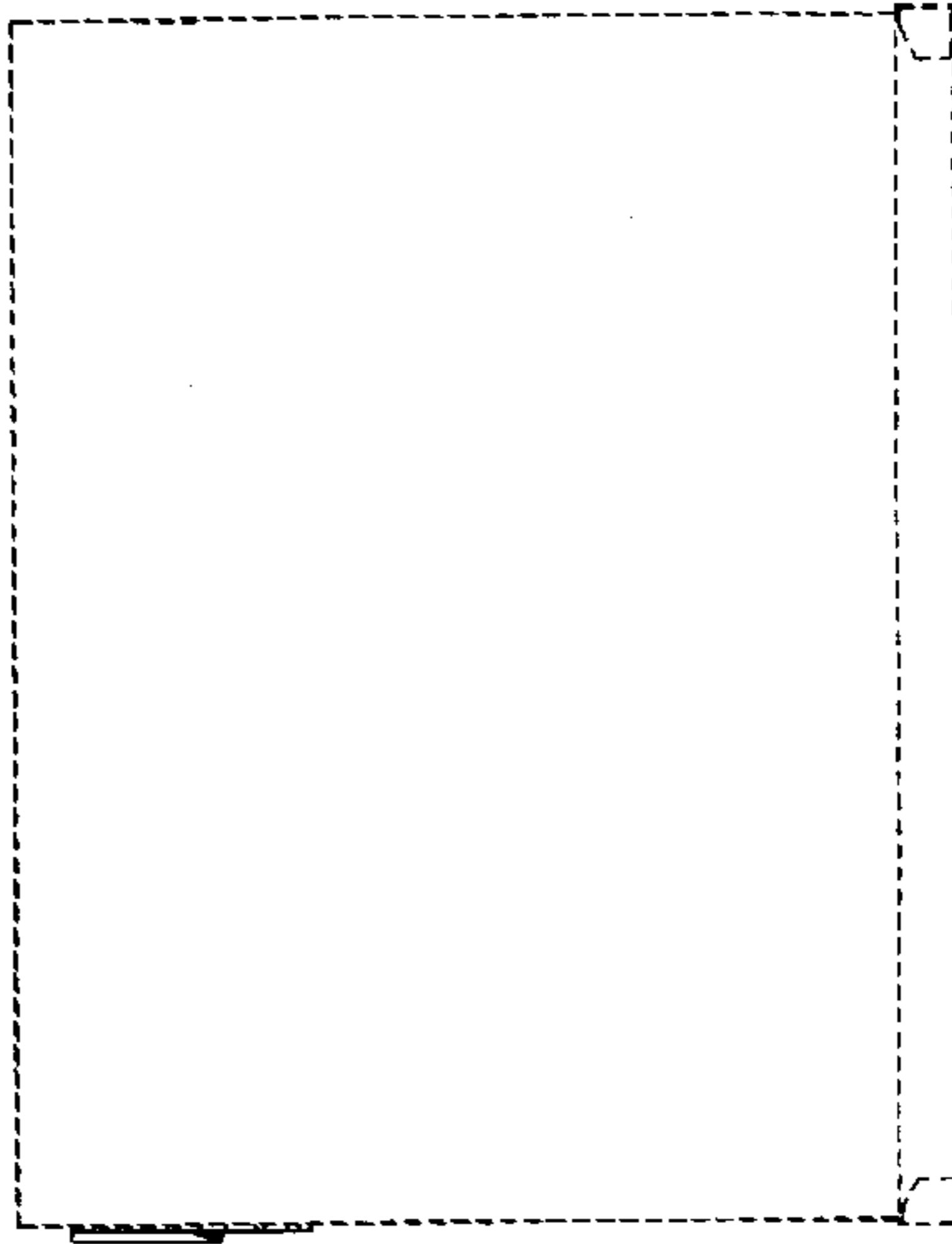


FIG. 4

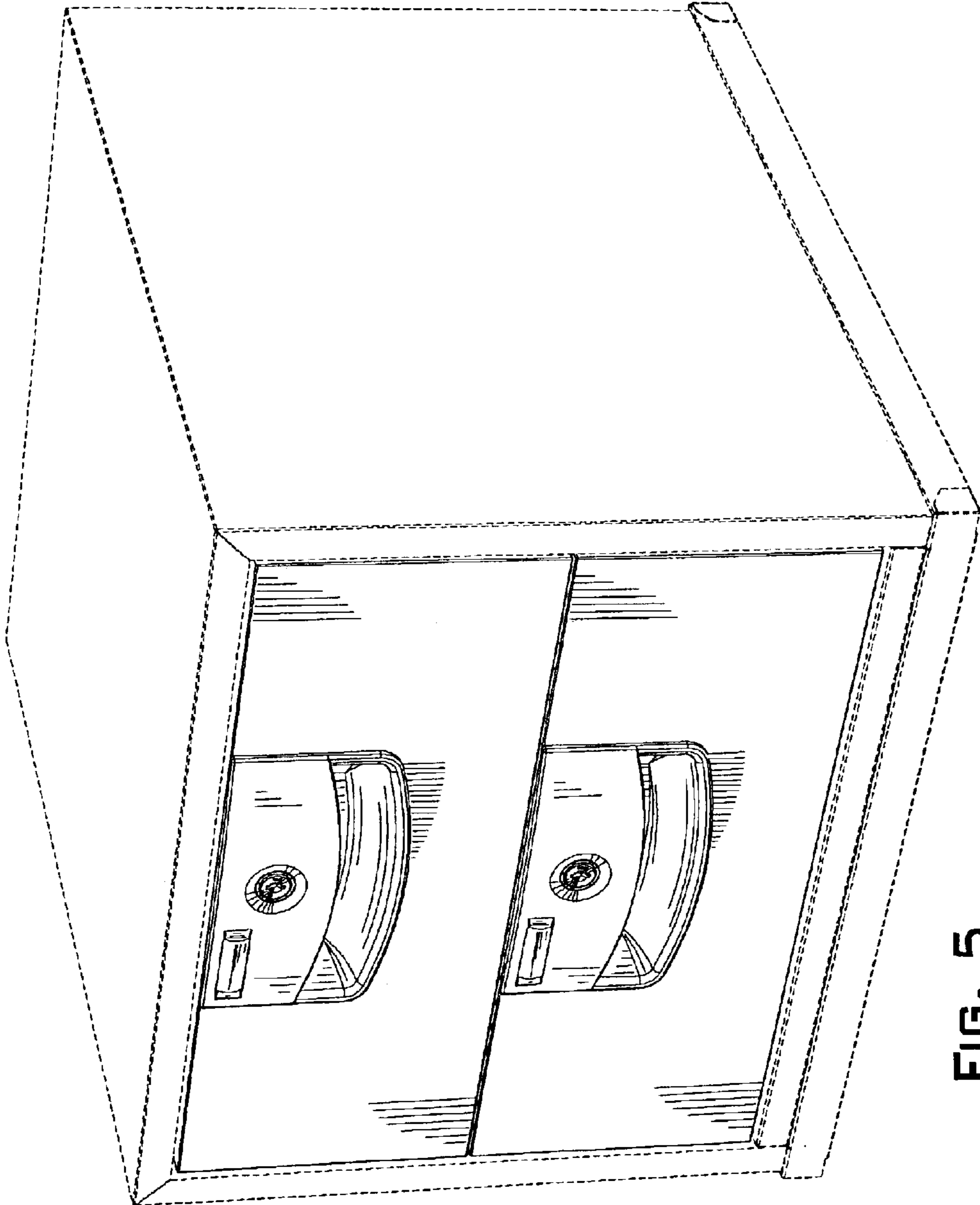


FIG. 5

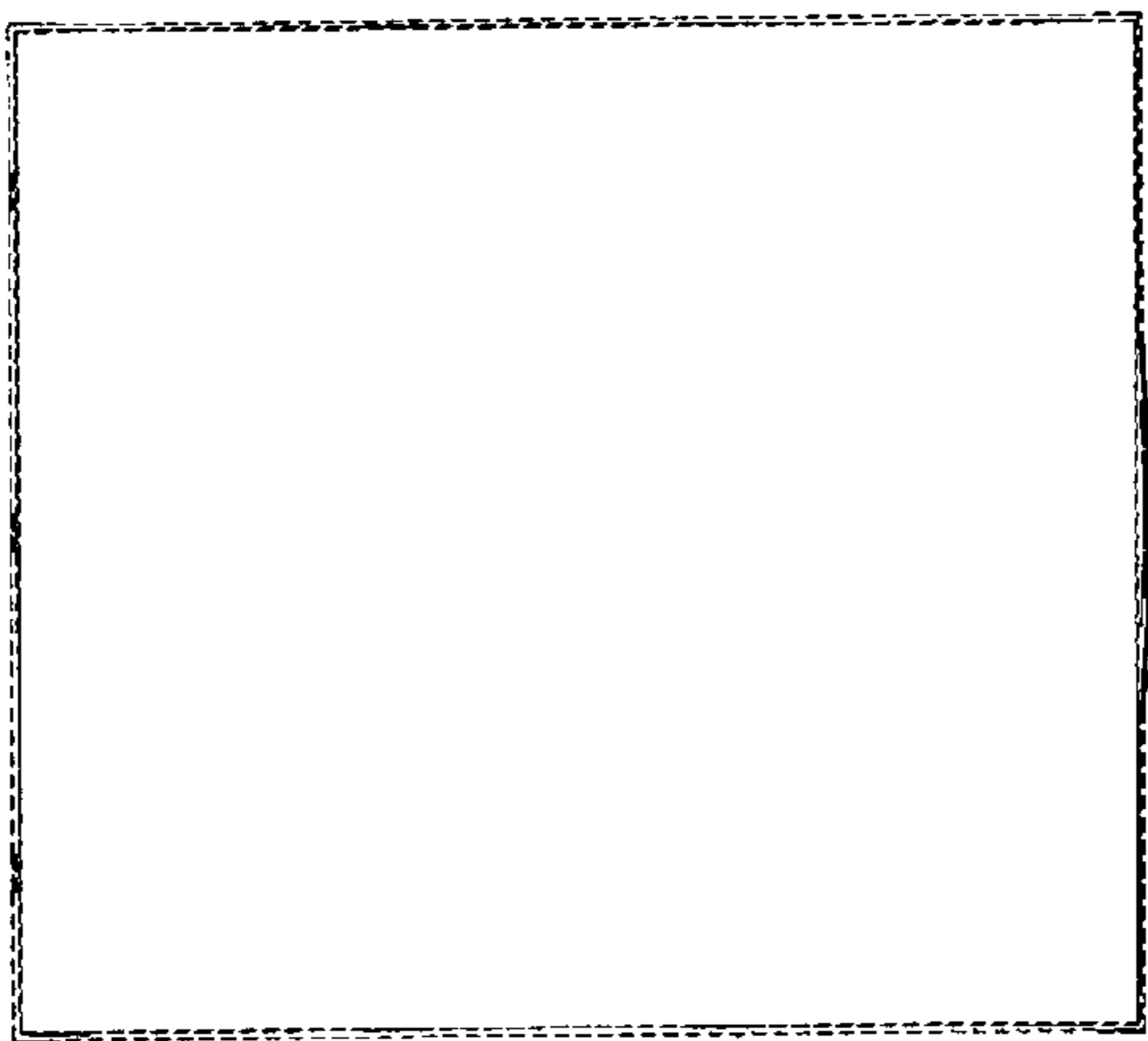


FIG. 6

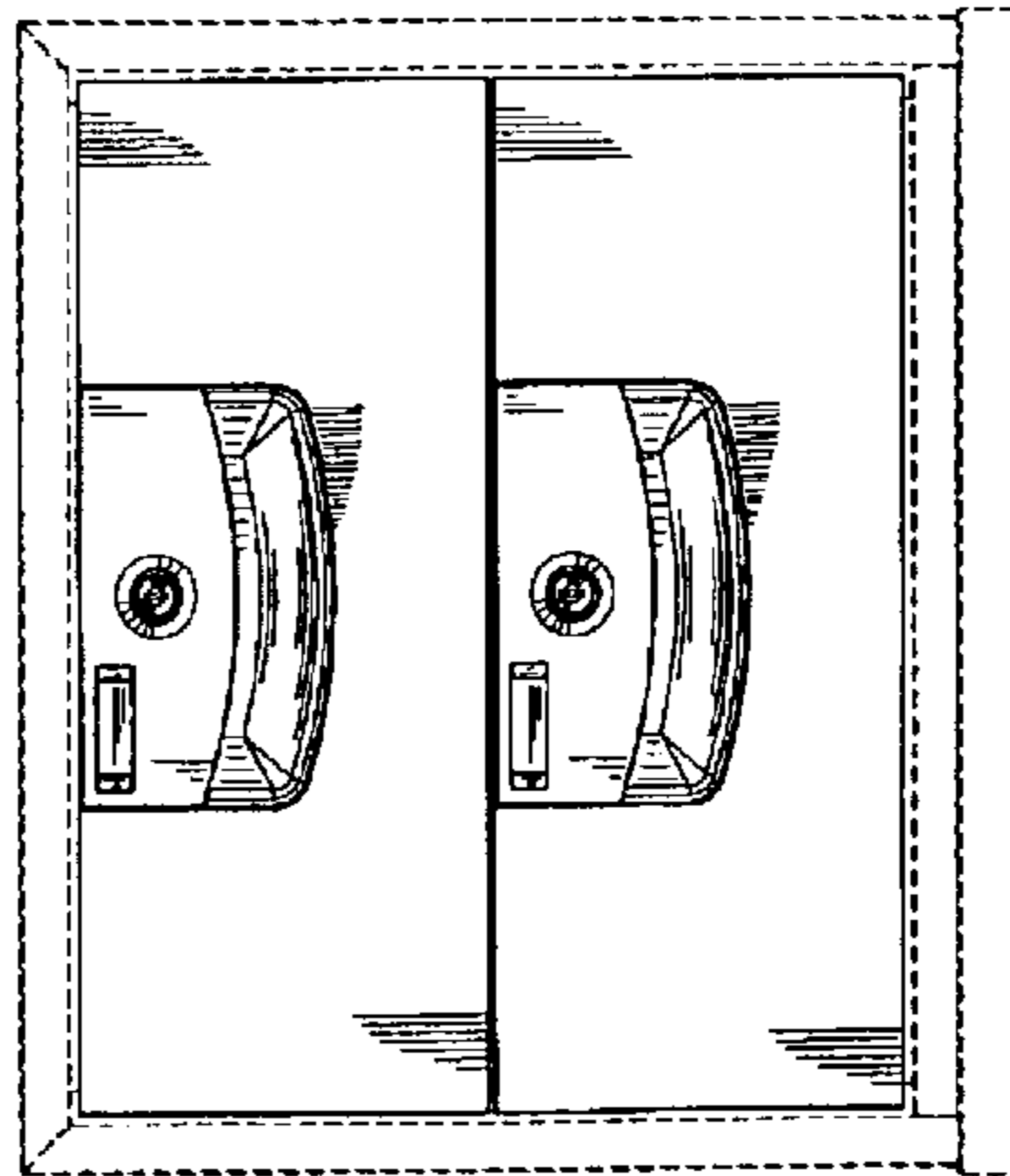


FIG. 7

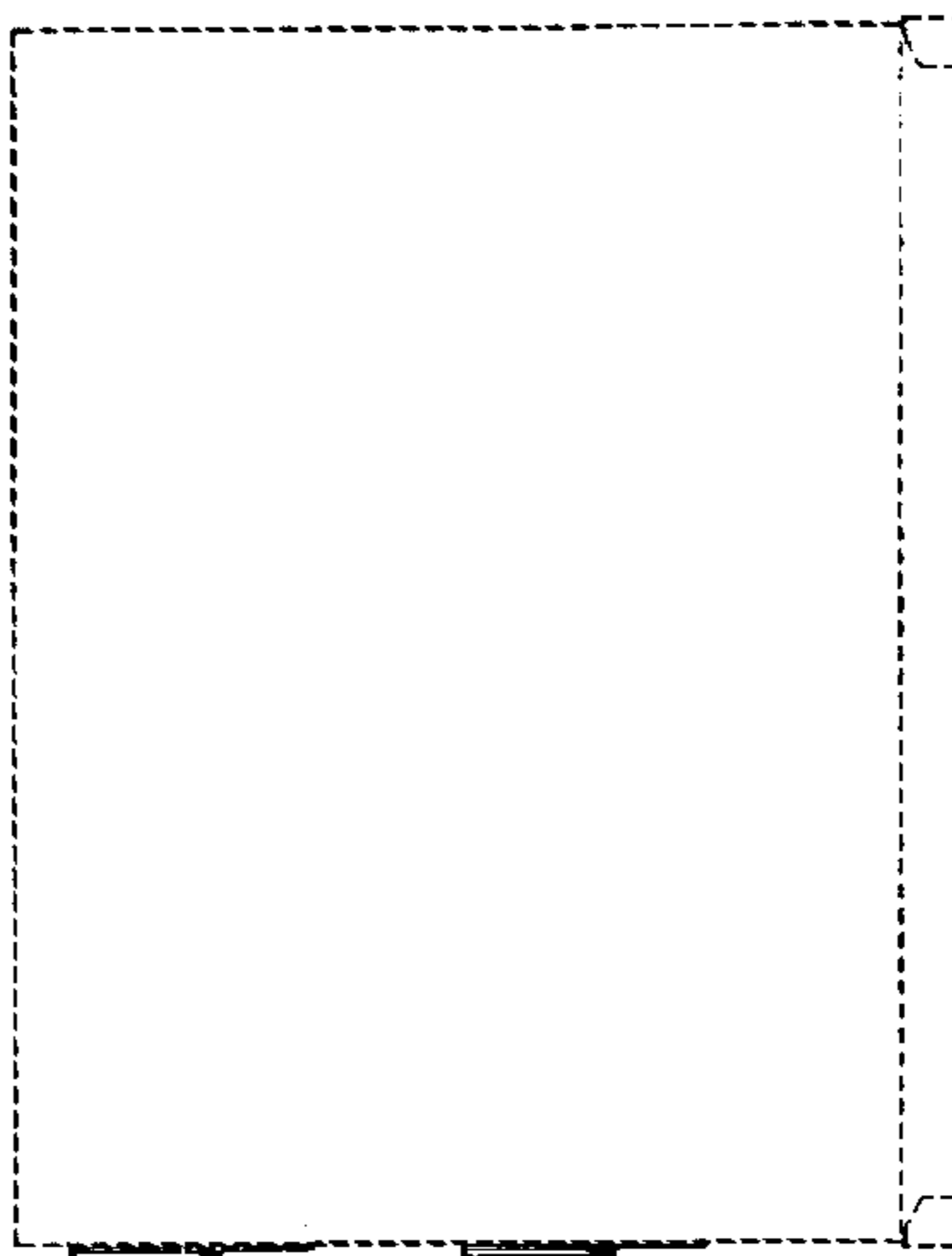


FIG. 8