



US00D509687S

(12) **United States Design Patent** (10) **Patent No.:** **US D509,687 S**  
**Henriott et al.** (45) **Date of Patent:** **\*\* Sep. 20, 2005**

(54) **FURNITURE END**  
 (75) Inventors: **Jay M. Henriott**, Jasper, IN (US);  
**Donald Woods**, Celestine, IN (US)  
 (73) Assignee: **Kimball International, Inc.**, Jasper, IN (US)  
 (\*\*) Term: **14 Years**  
 (21) Appl. No.: **29/196,259**  
 (22) Filed: **Dec. 23, 2003**  
 (51) **LOC (8) Cl.** ..... **06-06**  
 (52) **U.S. Cl.** ..... **D6/509**  
 (58) **Field of Search** ..... D6/422, 427, 428,  
 D6/432-448, 492, 494, 509; 108/50.01,  
 50.02; 312/194-198, 208, 239

D209,404 S 11/1967 Perlman  
 D212,765 S \* 11/1968 Moeckl ..... D6/428  
 D241,212 S \* 8/1976 Hodges ..... D6/422  
 D261,965 S \* 11/1981 Naor ..... D6/428  
 D274,681 S 7/1984 Gwathmey et al.  
 D276,674 S 12/1984 Gwathmey et al.  
 D323,944 S 2/1992 Maas  
 D329,551 S \* 9/1992 Lechman ..... D6/422  
 D330,126 S 10/1992 O'Sullivan et al.  
 D343,308 S 1/1994 Stephens  
 5,547,270 A 8/1996 Dang  
 D428,740 S 8/2000 Maly  
 D446,664 S 8/2001 Petri  
 D477,153 S \* 7/2003 Thorp et al. .... D6/397  
 D487,200 S \* 3/2004 Wanek et al. .... D6/444  
 D488,002 S \* 4/2004 Wanek et al. .... D6/446  
 D490,627 S \* 6/2004 Cook ..... D6/444  
 D496,805 S \* 10/2004 Anderson et al. .... D6/445

\* cited by examiner

(56) **References Cited**  
 U.S. PATENT DOCUMENTS

D110,907 S 8/1938 Patz  
 2,191,290 A 2/1940 Richardson et al.  
 D134,717 S 1/1943 Braun  
 2,527,603 A 10/1950 Wallace  
 D162,927 S 4/1951 Bloom  
 D167,190 S \* 7/1952 Blazey et al. .... D6/446  
 D171,689 S \* 3/1954 de Young ..... D14/131  
 D172,737 S \* 8/1954 Adler ..... D14/184  
 D176,412 S 12/1955 Herrmann  
 D177,299 S \* 3/1956 Wright ..... D6/422  
 D179,738 S \* 2/1957 Mallos ..... D6/397  
 D183,443 S \* 8/1958 Williams ..... D6/422  
 D185,936 S \* 8/1959 Hanks ..... D6/446  
 D186,516 S \* 11/1959 Anderson ..... D6/422  
 D188,117 S \* 6/1960 Roehm ..... D6/447  
 D189,879 S \* 3/1961 Buzzitta ..... D6/422  
 D192,864 S 5/1962 Parker et al.  
 D193,858 S 10/1962 Chapman et al.  
 D196,242 S \* 9/1963 Betts ..... D6/422  
 D199,846 S 12/1964 Armstrong  
 3,159,423 A 12/1964 Gilbert  
 D202,357 S \* 9/1965 Sandefur ..... D6/422  
 3,236,575 A \* 2/1966 Yaworski ..... 312/204

*Primary Examiner*—Cathron Brooks  
 (74) *Attorney, Agent, or Firm*—Baker & Daniels

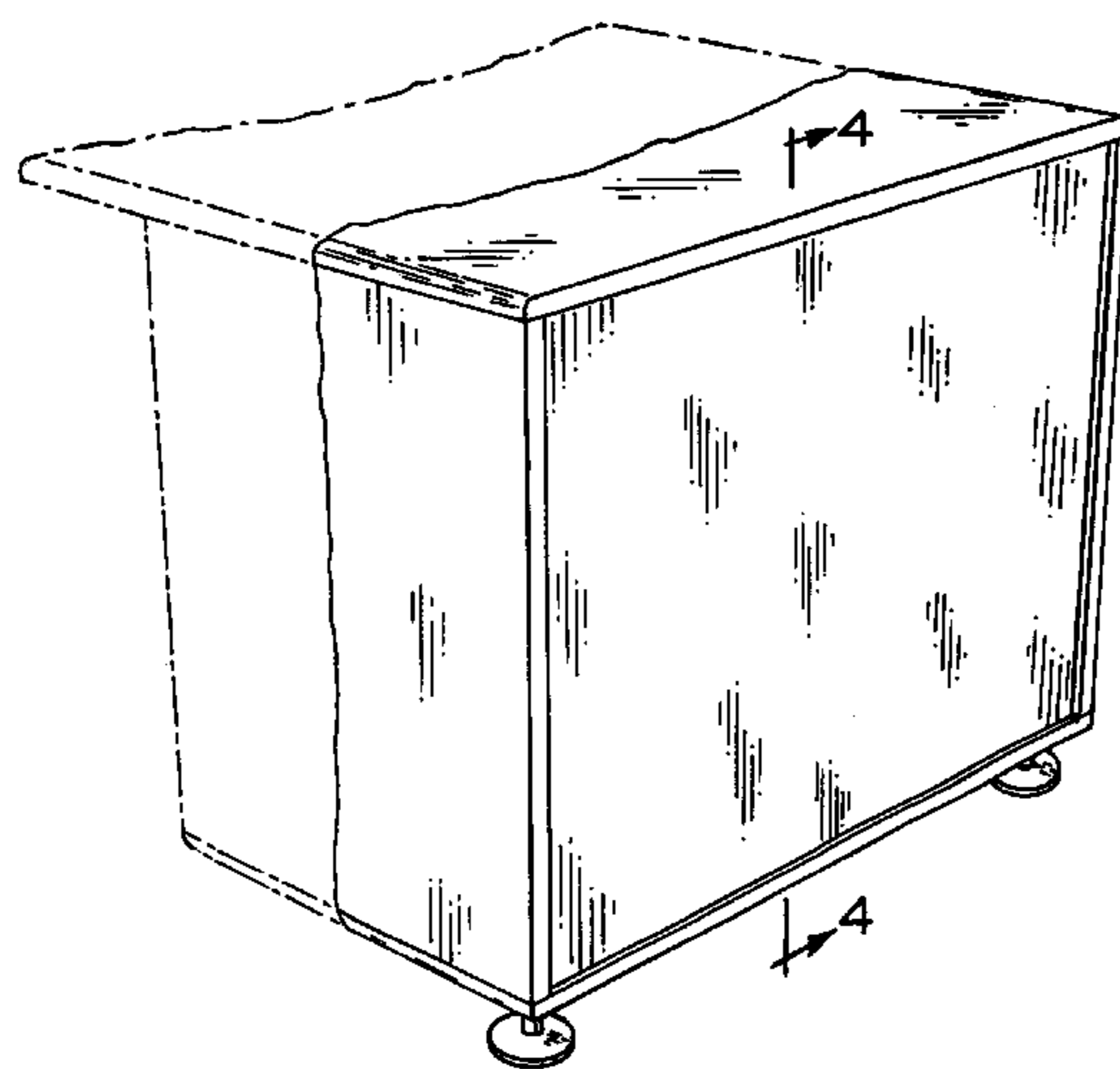
(57) **CLAIM**

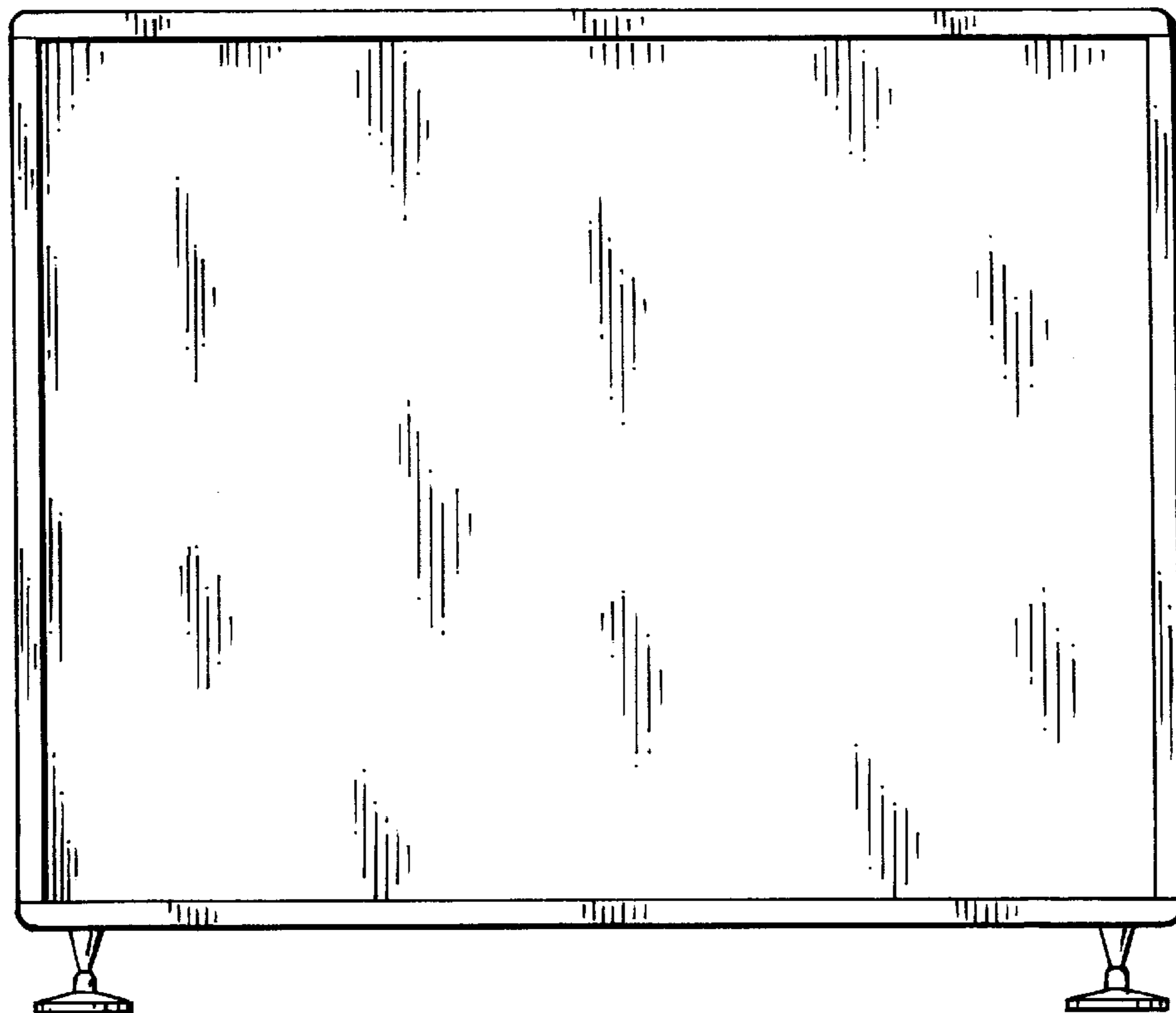
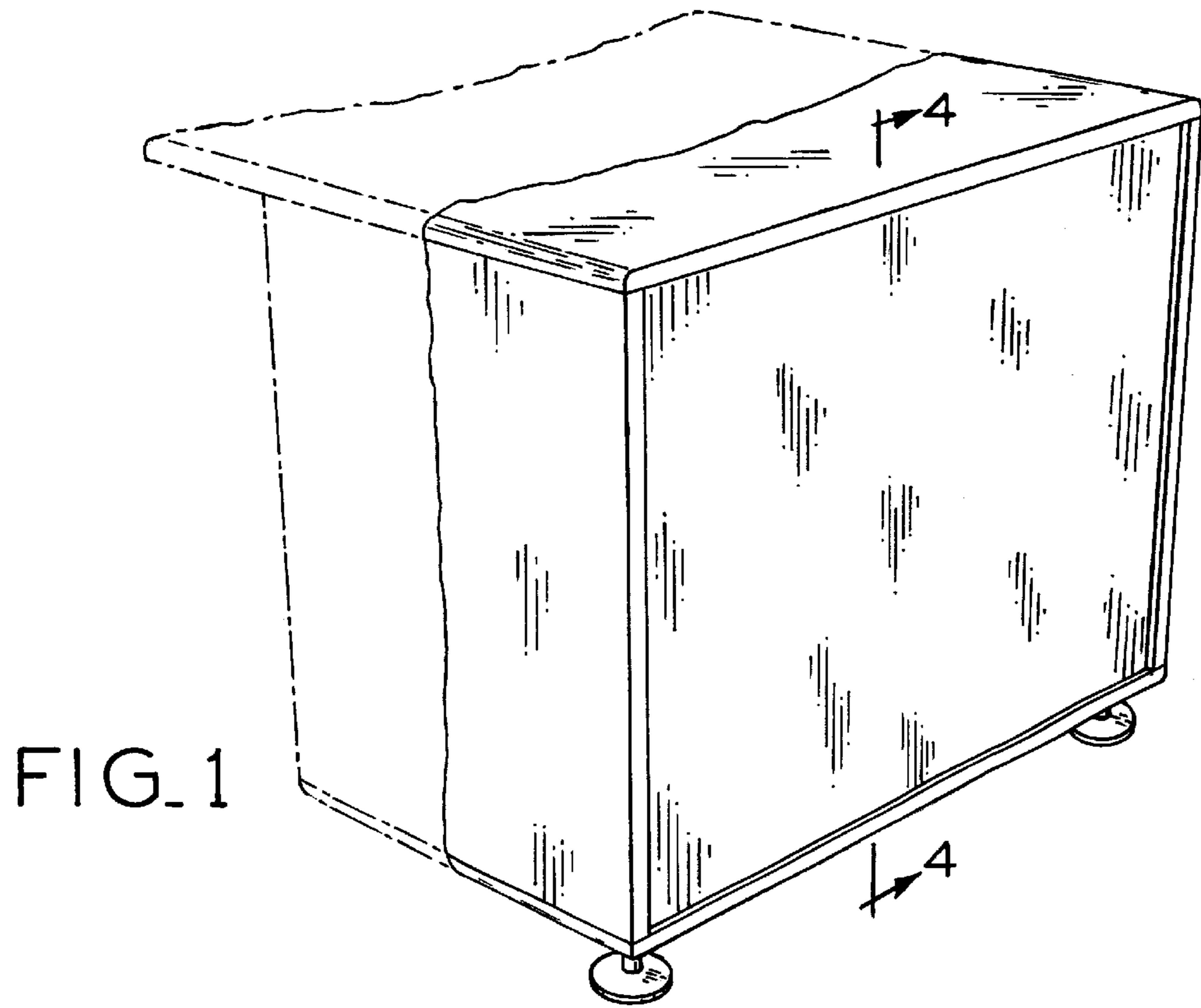
The ornamental design of a furniture end, as shown and described.

**DESCRIPTION**

FIG. 1 is a perspective view of the furniture end incorporating a first embodiment of our new design;  
 FIG. 2 is an end view thereof;  
 FIG. 3 is front view thereof;  
 FIG. 4 is a sectional view taken along line 4—4 of FIG. 1 to illustrate the inset end panel;  
 FIG. 5 is a perspective view of the furniture end incorporating a second embodiment of our new design;  
 FIG. 6 is an end view thereof;  
 FIG. 7 is front view thereof; and,  
 FIG. 8 is a sectional view taken along line 8—8 of FIG. 5 to illustrate the inset end panel.  
 The features which are shown in dashed lines form no part of the claimed design.

**1 Claim, 4 Drawing Sheets**





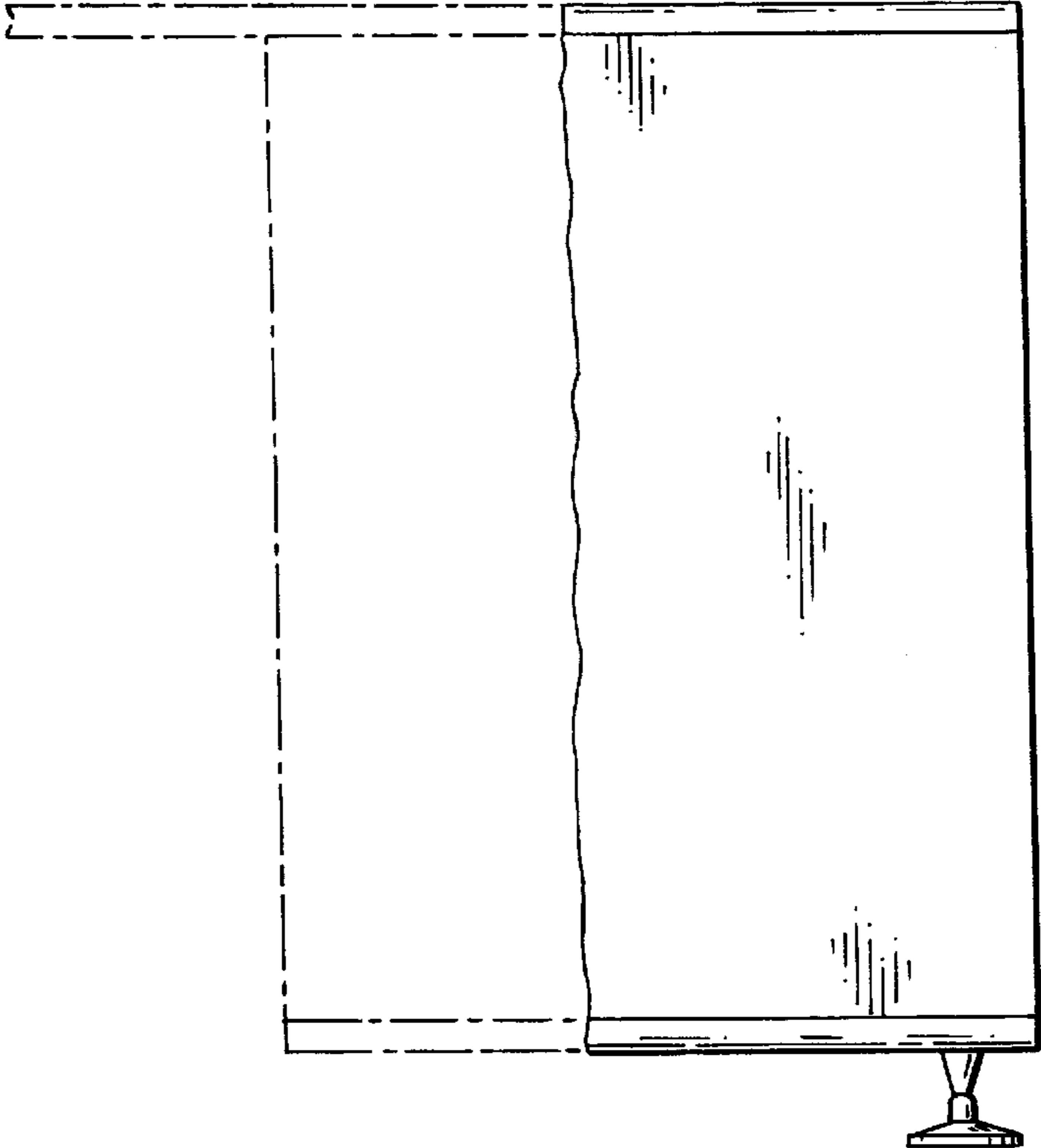


FIG. 3

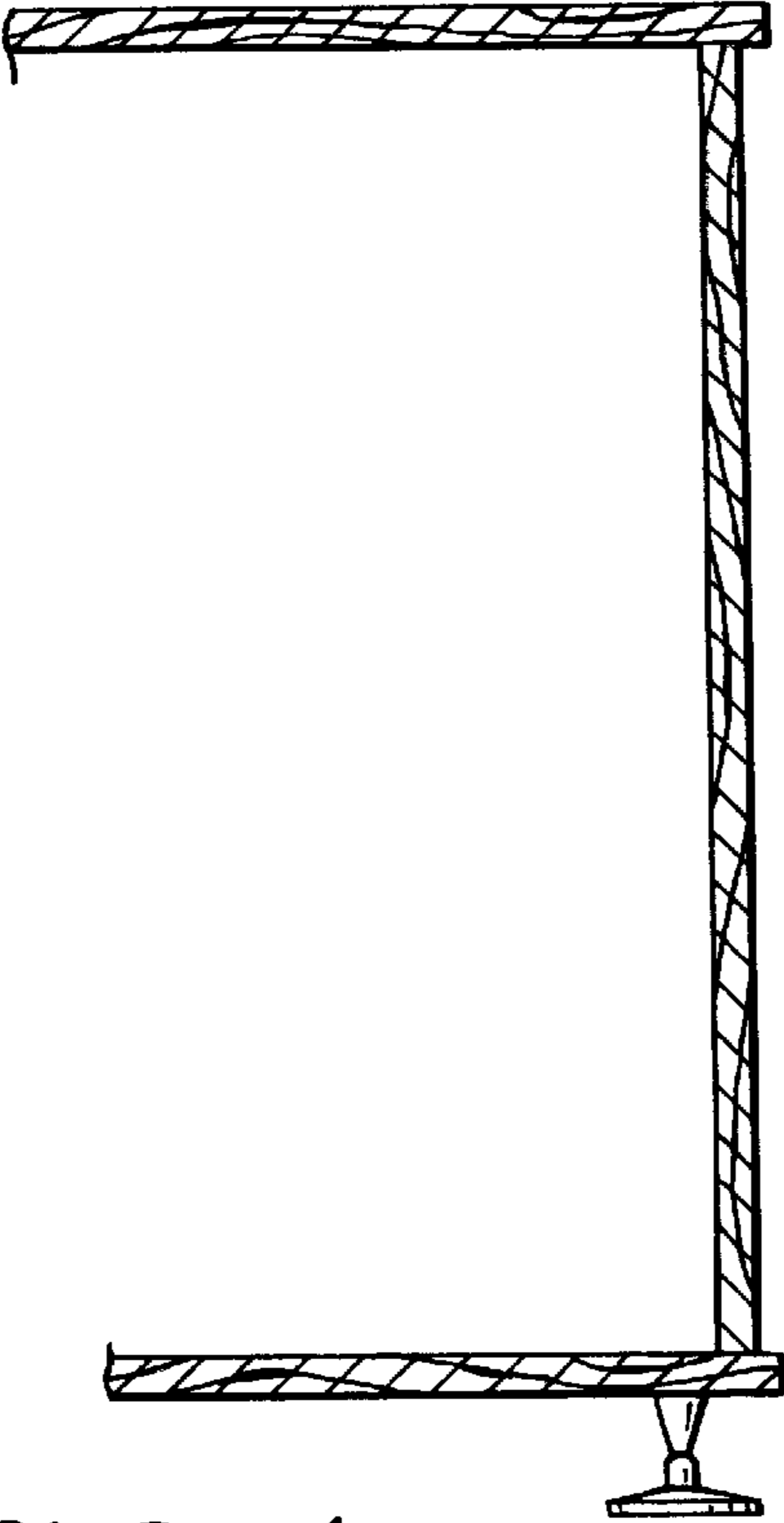


FIG. 4

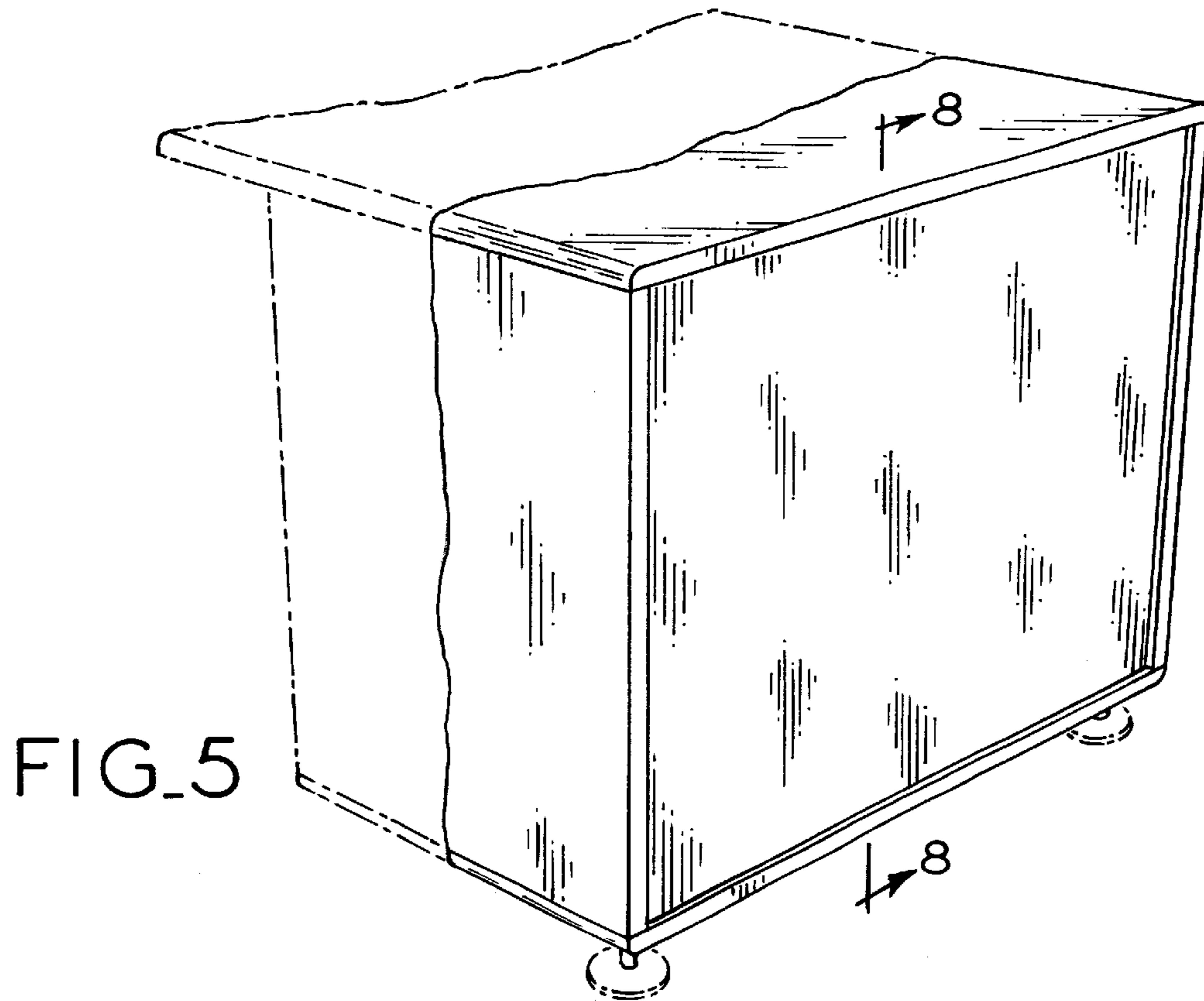


FIG. 5

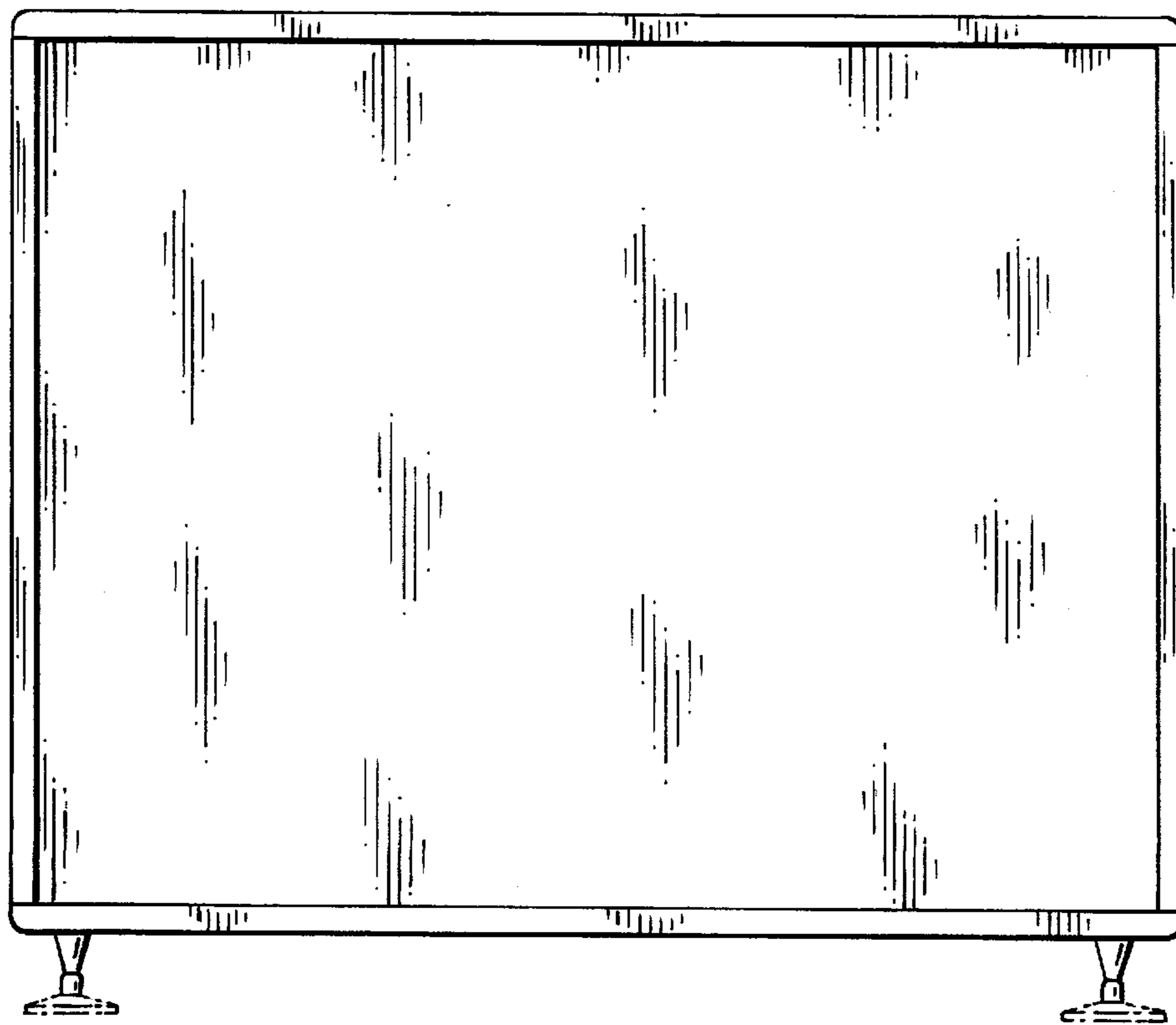


FIG. 6

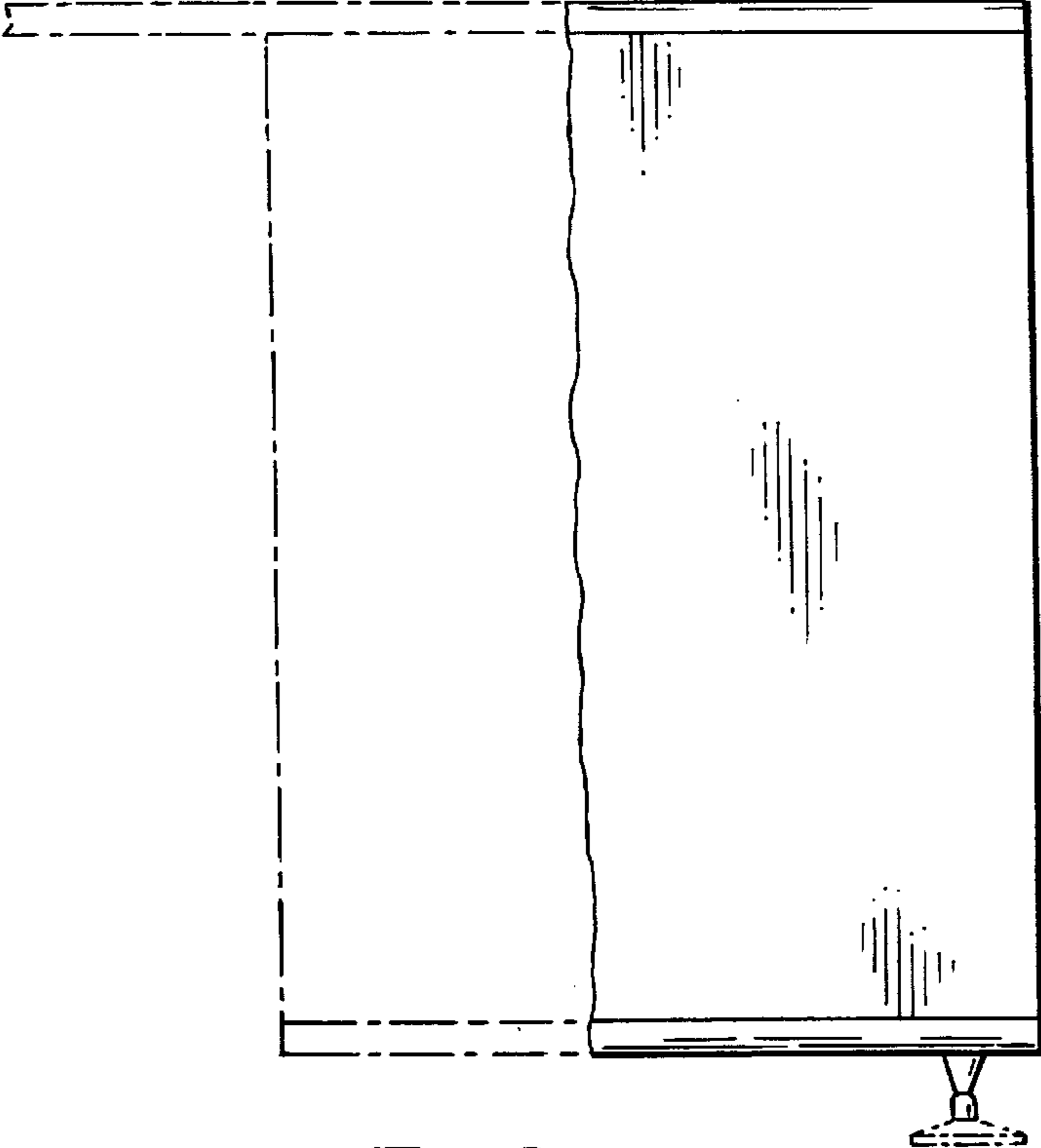


FIG. 7

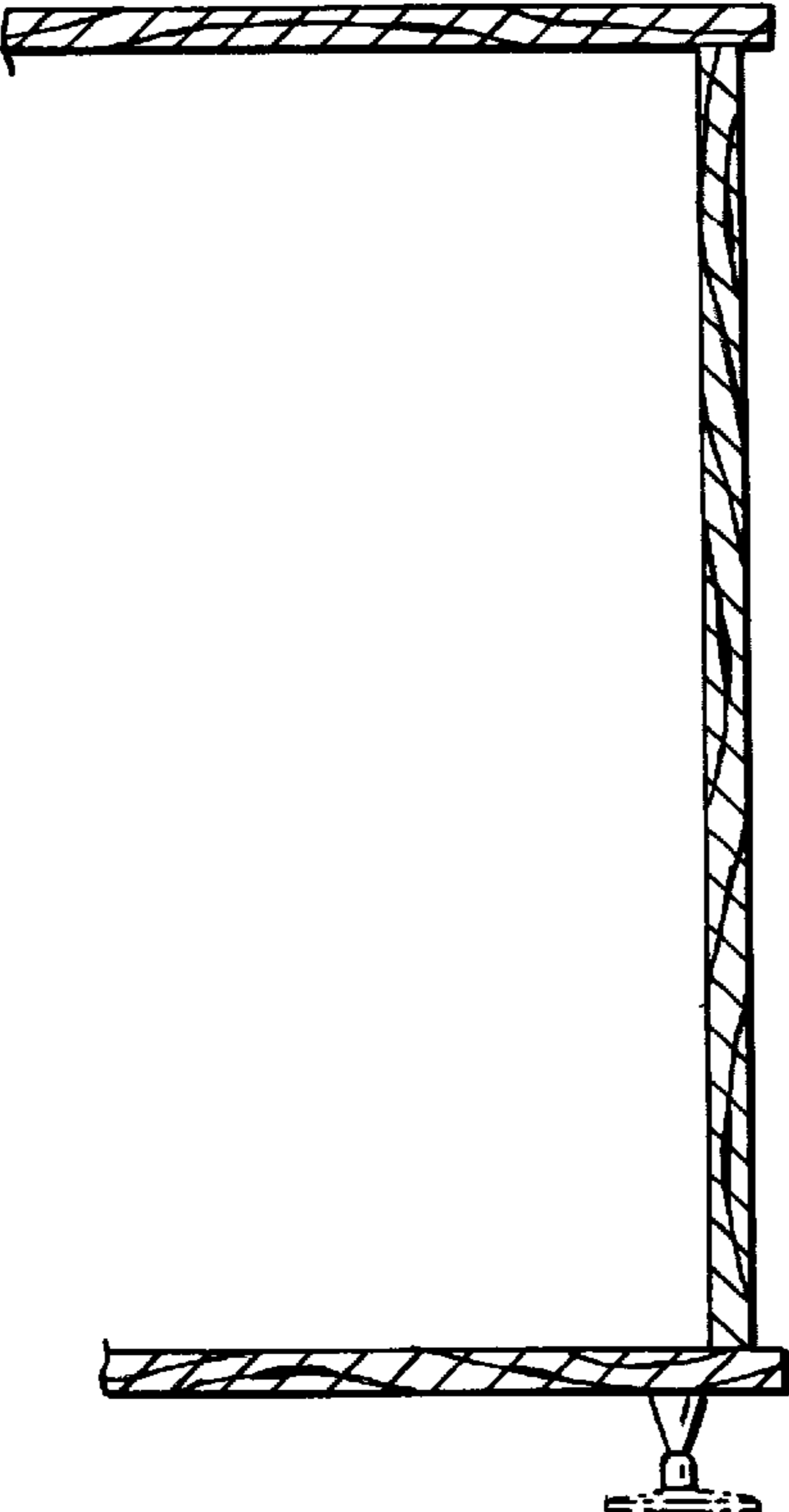


FIG. 8