

US00D509686S

(12) **United States Design Patent**
Henriott et al.

(10) **Patent No.: US D509,686 S**
(45) **Date of Patent: ** Sep. 20, 2005**

(54) **FURNITURE END**

(75) Inventors: **Jay M. Henriott**, Jasper, IN (US);
Donald Woods, Celestine, IN (US)

(73) Assignee: **Kimball International, Inc.**, Jasper, IN (US)

(**) Term: **14 Years**

(21) Appl. No.: **29/196,155**

(22) Filed: **Dec. 23, 2003**

(51) **LOC (8) Cl.** **06-06**

(52) **U.S. Cl.** **D6/509**; D6/494

(58) **Field of Search** D6/422, 427, 428,
D6/432-448, 492, 494, 509; 108/50.01,
50.02; 312/194-198, 208, 239

(56) **References Cited**

U.S. PATENT DOCUMENTS

D110,907 S	8/1938	Patz	
2,191,290 A	2/1940	Richardson et al.	
D134,717 S	1/1943	Braun	
2,527,603 A	10/1950	Wallance	
D162,927 S	4/1951	Bloom	
D167,190 S	* 7/1952	Blazey et al.	D6/446
D171,689 S	* 3/1954	de Young	D14/131
D172,737 S	* 8/1954	Adler	D14/184
D176,412 S	12/1955	Herrmann	
D177,299 S	* 3/1956	Wright	D6/422
D179,738 S	* 2/1957	Mallos	D6/397
D183,443 S	* 8/1958	Williams	D6/422
D185,936 S	* 8/1959	Hanks	D6/446
D186,516 S	* 11/1959	Anderson	D6/422
D188,117 S	* 6/1960	Roehm	D6/447
D189,879 S	* 3/1961	Buzzitta	D6/422
D192,864 S	5/1962	Parker et al.	
D193,858 S	10/1962	Chapman et al.	
D196,242 S	* 9/1963	Betts	D6/422
D199,846 S	12/1964	Armstrong	
3,159,423 A	12/1964	Gilbert	
D202,357 S	* 9/1965	Sandefur	D6/422
3,236,575 A	* 2/1966	Yaworski	312/204
D209,404 S	11/1967	Perlman	

D212,765 S	* 11/1968	Moeckl	D6/428
D241,212 S	* 8/1976	Hodges	D6/422
D261,965 S	* 11/1981	Naor	D6/428
D274,681 S	7/1984	Gwathmey et al.	
D276,674 S	12/1984	Gwathmey et al.	
D323,944 S	2/1992	Maas	
D329,551 S	* 9/1992	Lechman	D6/422
D330,126 S	10/1992	O'Sullivan et al.	
D343,308 S	1/1994	Stephens	
5,547,270 A	8/1996	Dang	
D428,740 S	8/2000	Maly	
D446,664 S	8/2001	Petri	
D477,153 S	* 7/2003	Thorp et al.	D6/397
D487,200 S	* 3/2004	Wanek et al.	D6/444
D488,002 S	* 4/2004	Wanek et al.	D6/446
D490,627 S	* 6/2004	Cook	D6/444
D496,805 S	* 10/2004	Anderson et al.	D6/445

* cited by examiner

Primary Examiner—Cathron Brooks

(74) *Attorney, Agent, or Firm*—Baker & Daniels

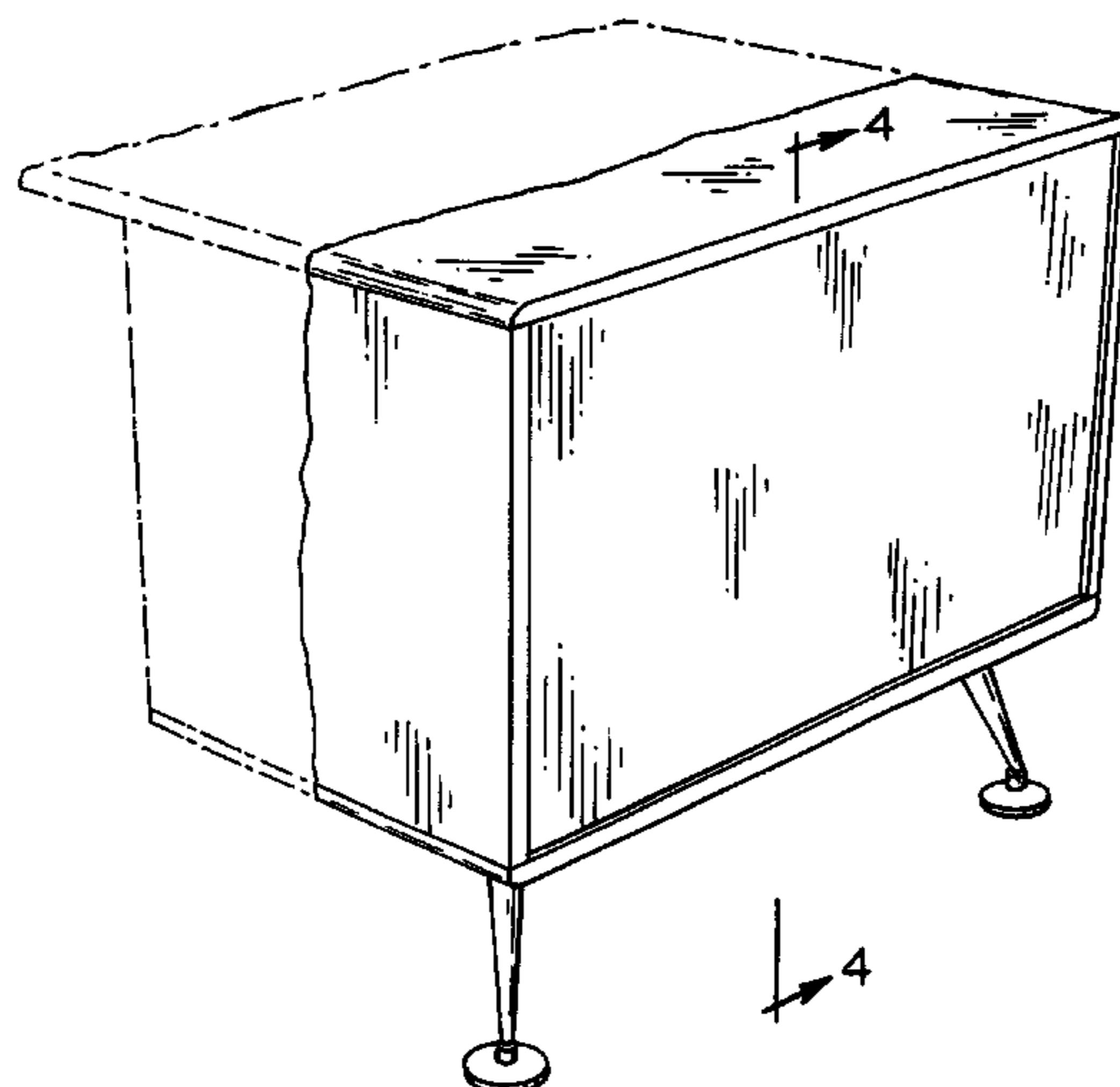
(57) **CLAIM**

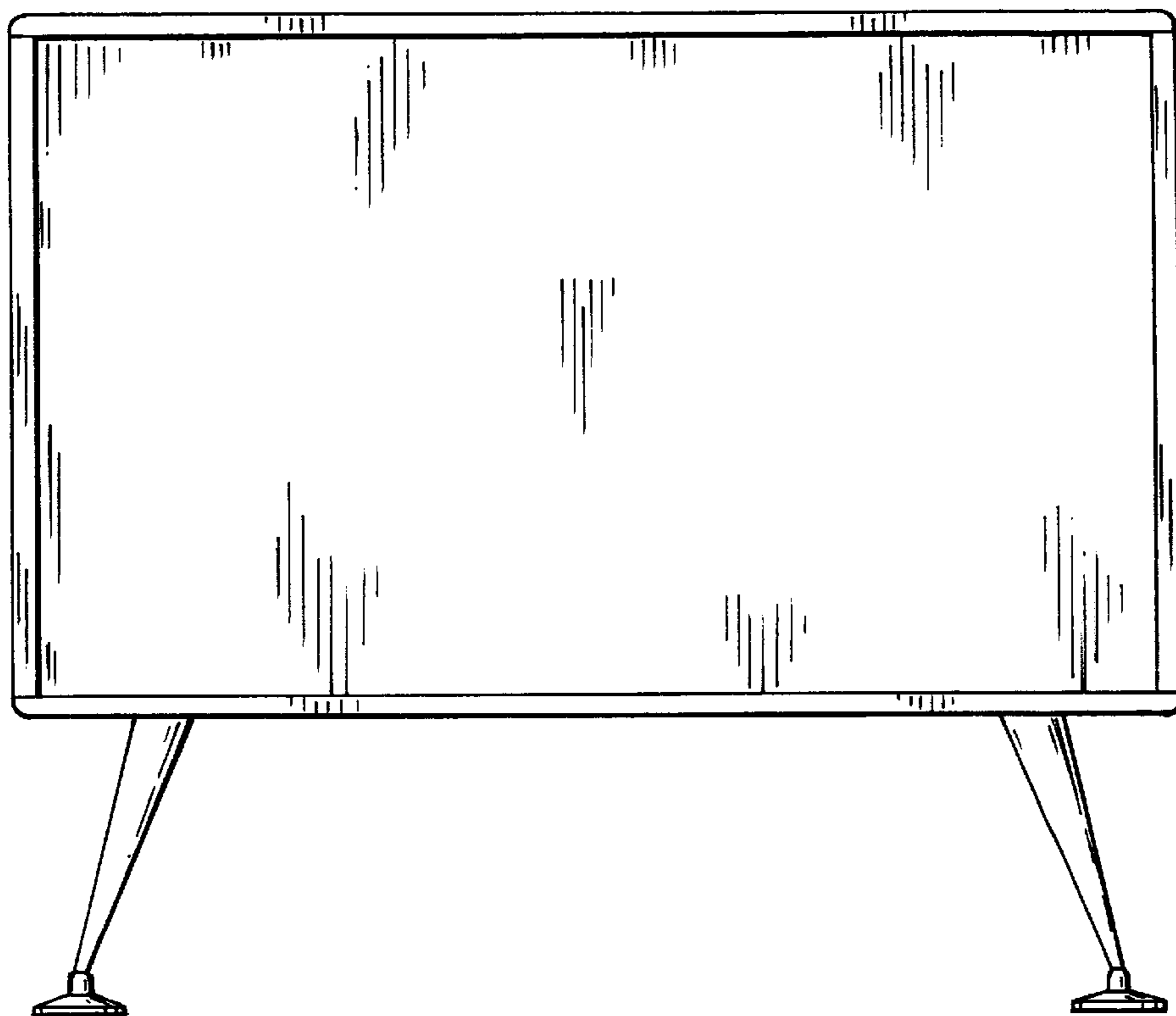
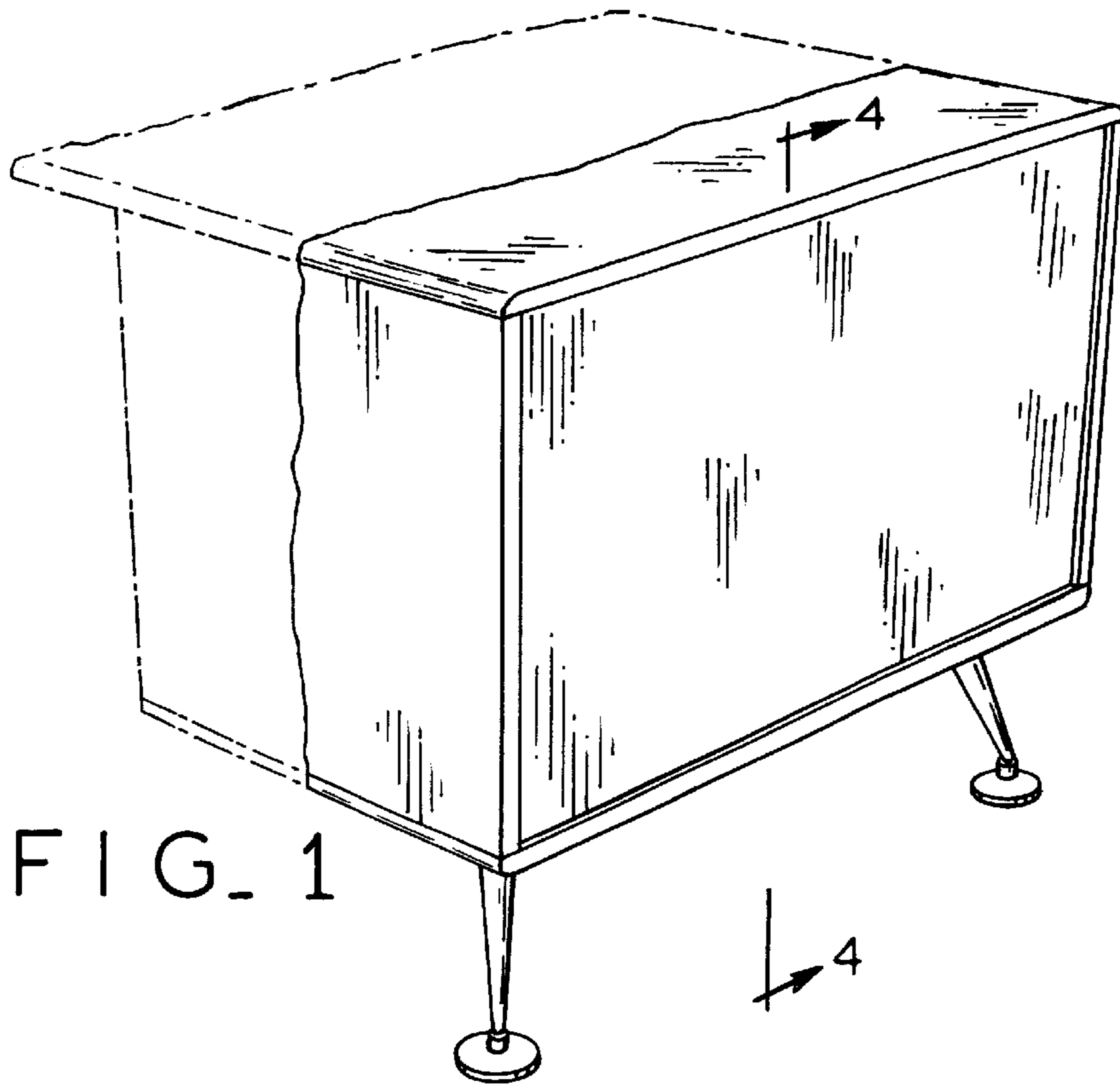
The ornamental design of a furniture end, as shown and described.

DESCRIPTION

FIG. 1 is a perspective view of the furniture end incorporating a first embodiment of our new design;
 FIG. 2 is an end view thereof;
 FIG. 3 is front view thereof;
 FIG. 4 is a sectional view taken along line 4—4 of FIG. 1 to illustrate the inset end panel;
 FIG. 5 is a perspective view of the furniture end incorporating a second embodiment of our new design;
 FIG. 6 is an end view thereof;
 FIG. 7 is front view thereof; and,
 FIG. 8 is a sectional view taken along line 8—8 of FIG. 5 to illustrate the inset end panel.
 The features which are shown in dashed lines form no part of the claimed design.
 The broken lines shown are for illustrative purposes only and form no part of the claimed design.

1 Claim, 4 Drawing Sheets





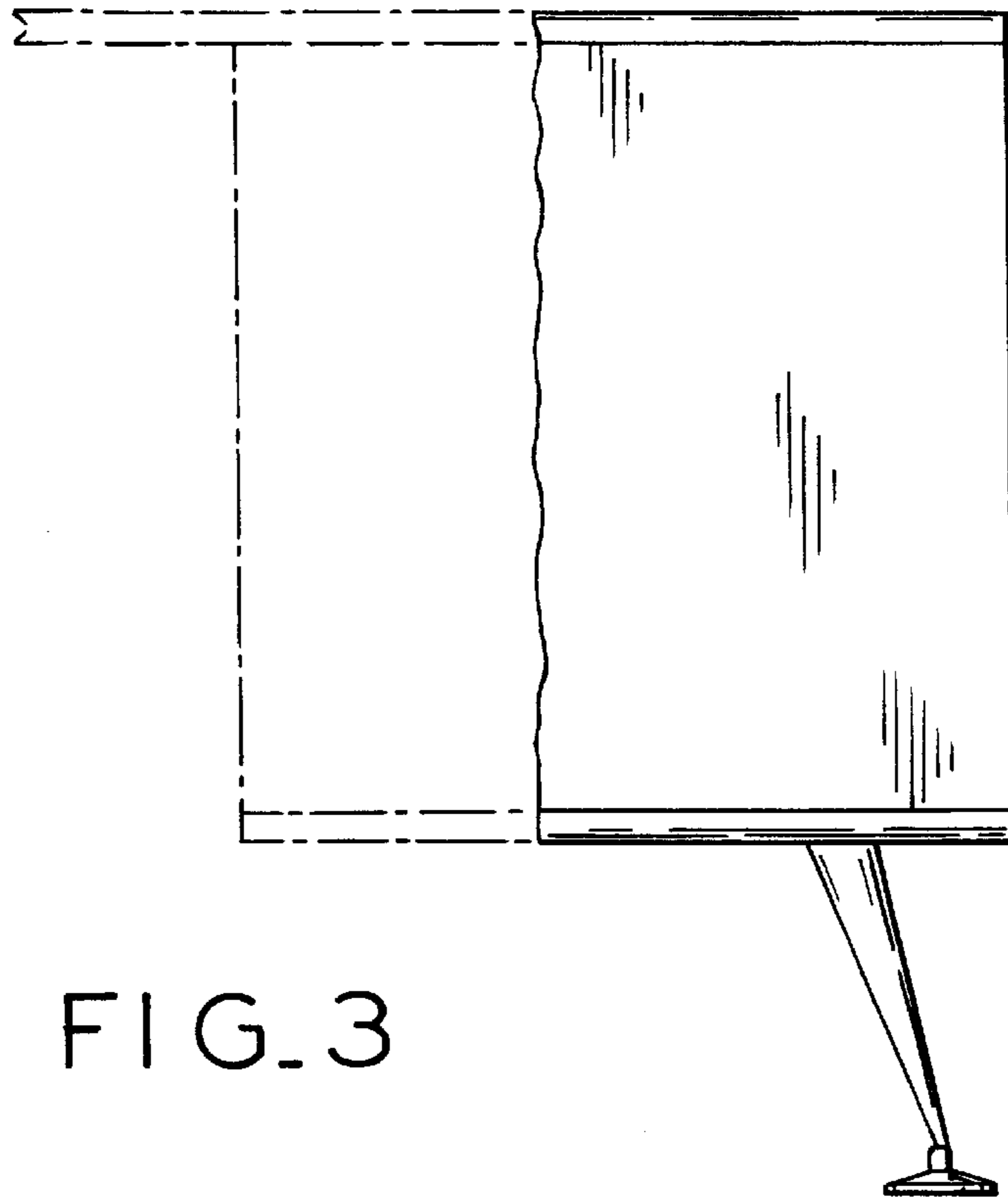


FIG. 3

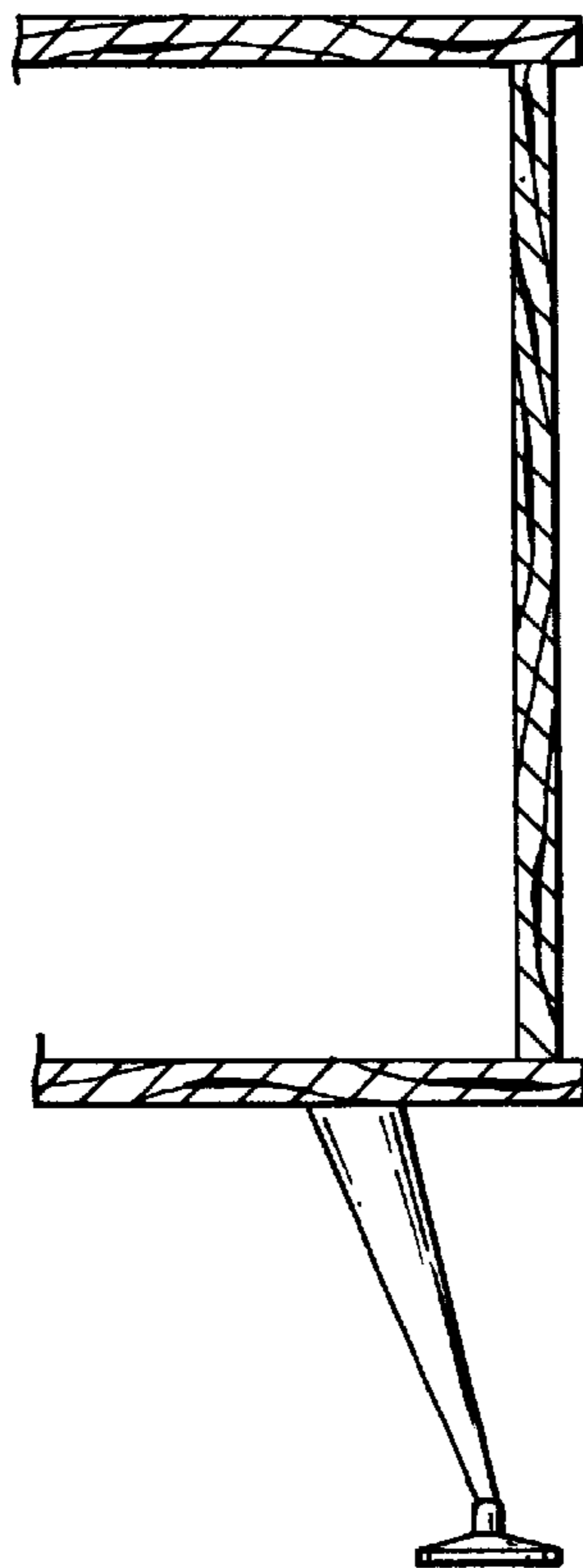
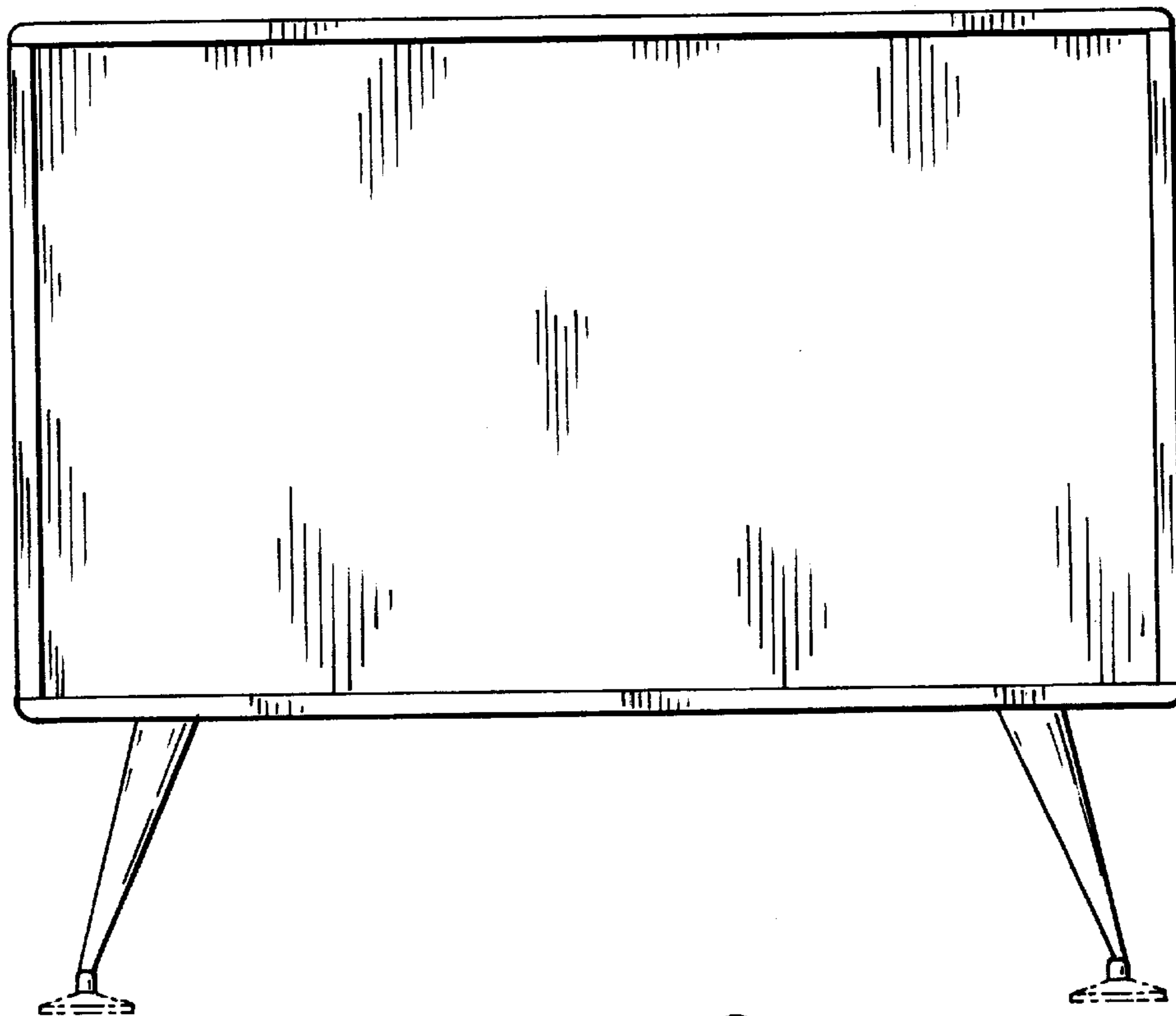
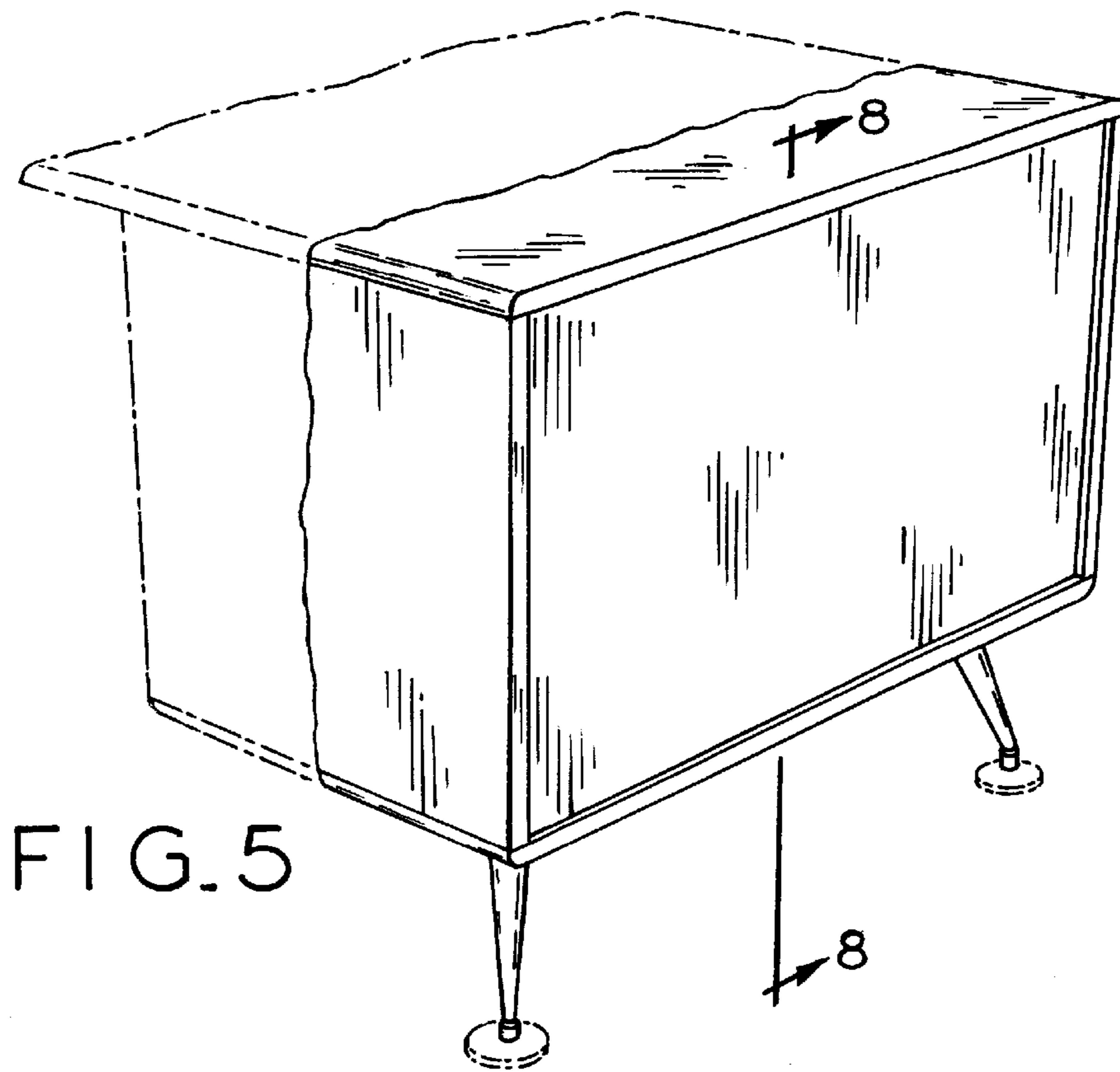


FIG. 4



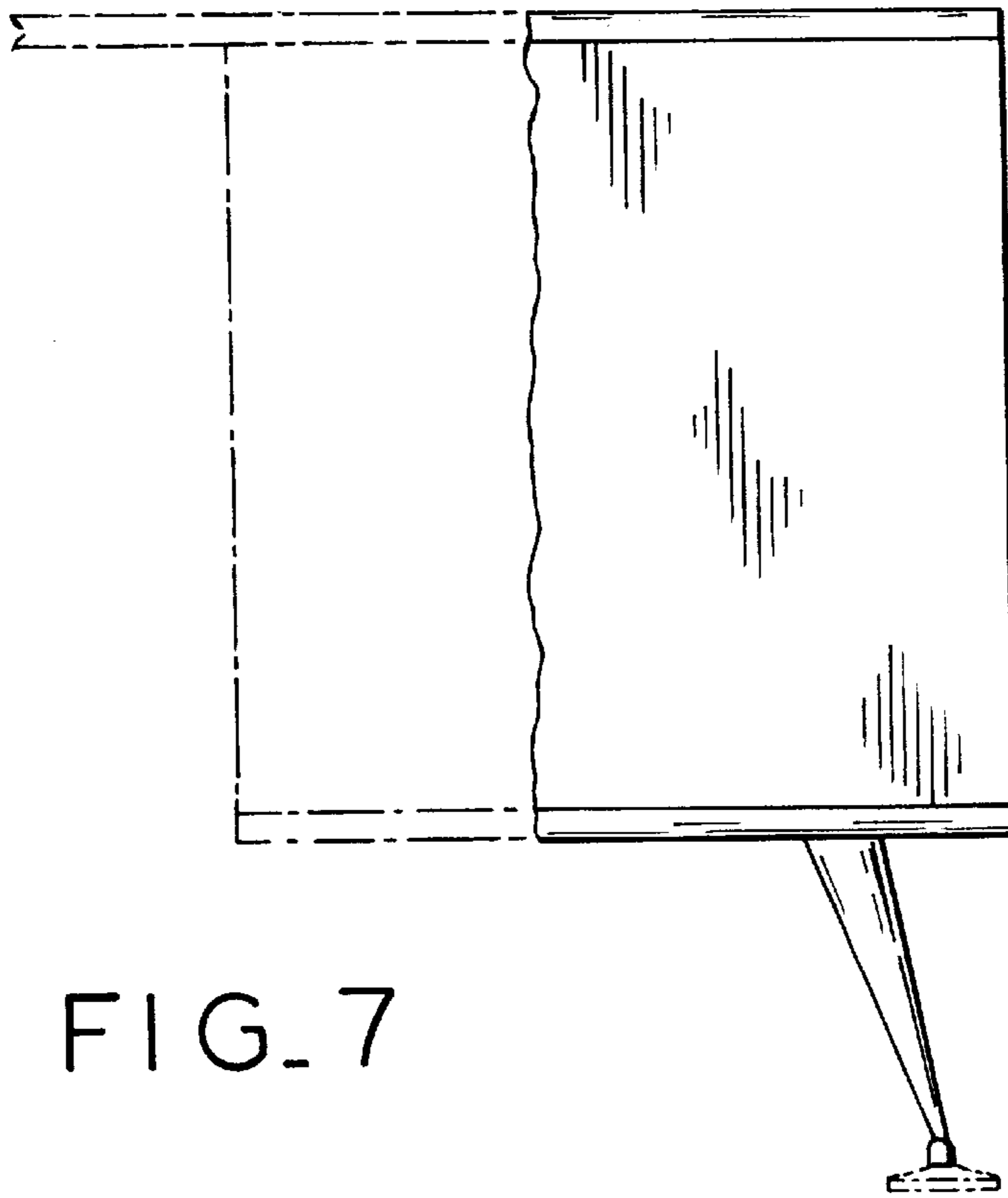


FIG. 7

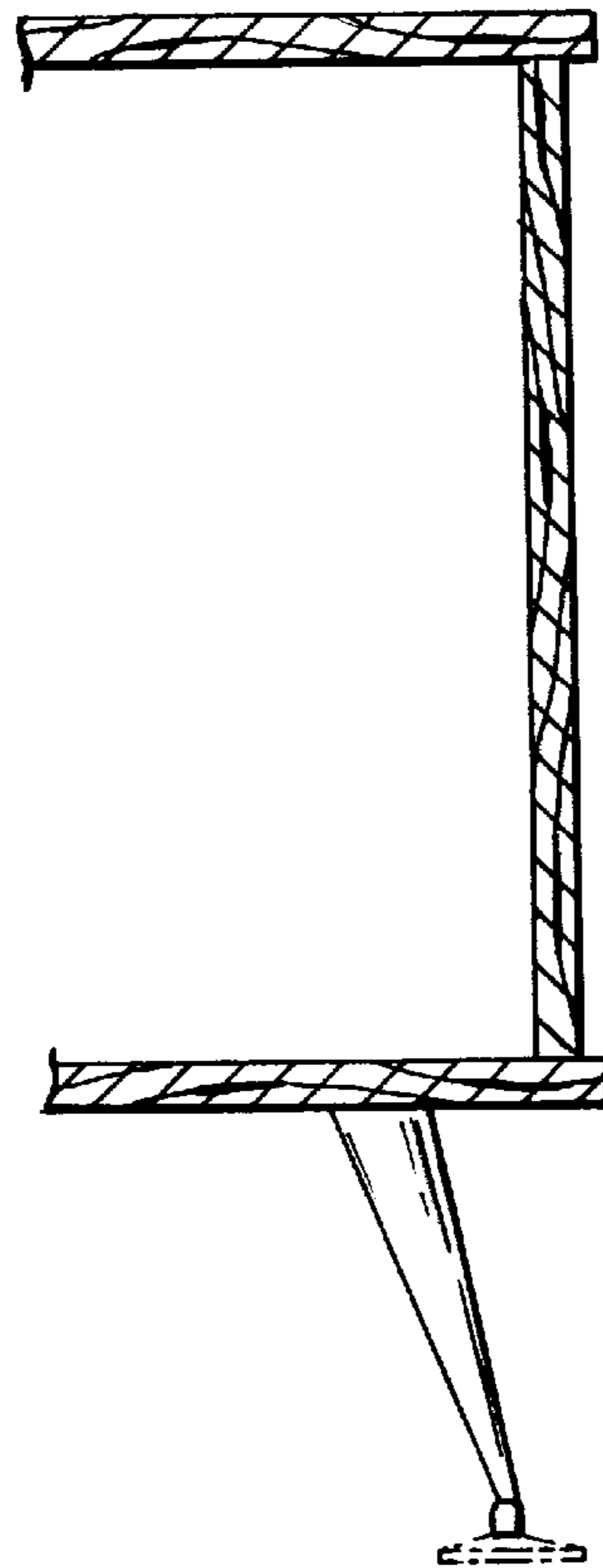


FIG. 8