

US00D509678S

(12) **United States Design Patent**
Chang

(10) **Patent No.:** **US D509,678 S**

(45) **Date of Patent:** **** Sep. 20, 2005**

(54) **COMPUTER TABLE**

D500,214 S * 12/2004 Chang D6/426

(76) **Inventor:** **Chien-Kuo Chang**, P.O. Box 36-80,
Taichung City (TW)

* cited by examiner

Primary Examiner—Janice E. Seeger

(**) **Term:** **14 Years**

(74) *Attorney, Agent, or Firm*—Charles E. Baxley

(21) **Appl. No.:** **29/210,294**

(57) **CLAIM**

(22) **Filed:** **Jul. 29, 2004**

The ornamental design for a computer table, as shown and described.

(51) **LOC (8) Cl.** **06-04**

(52) **U.S. Cl.** **D6/426**

(58) **Field of Search** D6/422–428, 474;
312/208.1, 238, 194–196, 204; 108/50.01,
50.02

DESCRIPTION

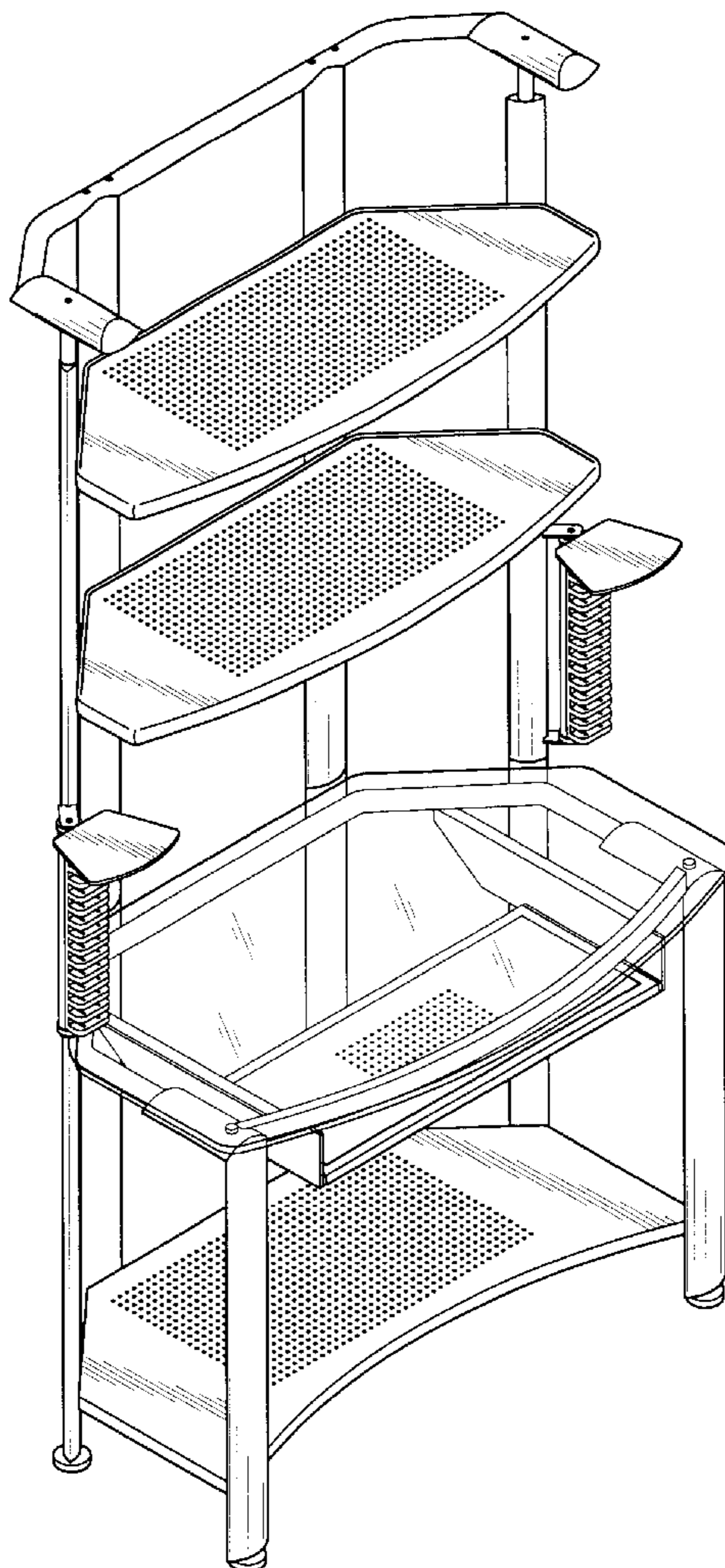
FIG. 1 is a perspective view of a computer table showing our new design thereof;
FIG. 2 is a front elevational view thereof;
FIG. 3 is a rear elevational view thereof;
FIG. 4 is a left side elevational view thereof;
FIG. 5 is a right side elevational view thereof;
FIG. 6 is a top plan view thereof; and,
FIG. 7 is a bottom plan view thereof.

(56) **References Cited**

U.S. PATENT DOCUMENTS

- D456,633 S * 5/2002 Chang D6/426
- D464,213 S * 10/2002 Chang D6/426
- D464,501 S * 10/2002 Lin D6/425
- D487,364 S * 3/2004 Chang D6/426

1 Claim, 6 Drawing Sheets



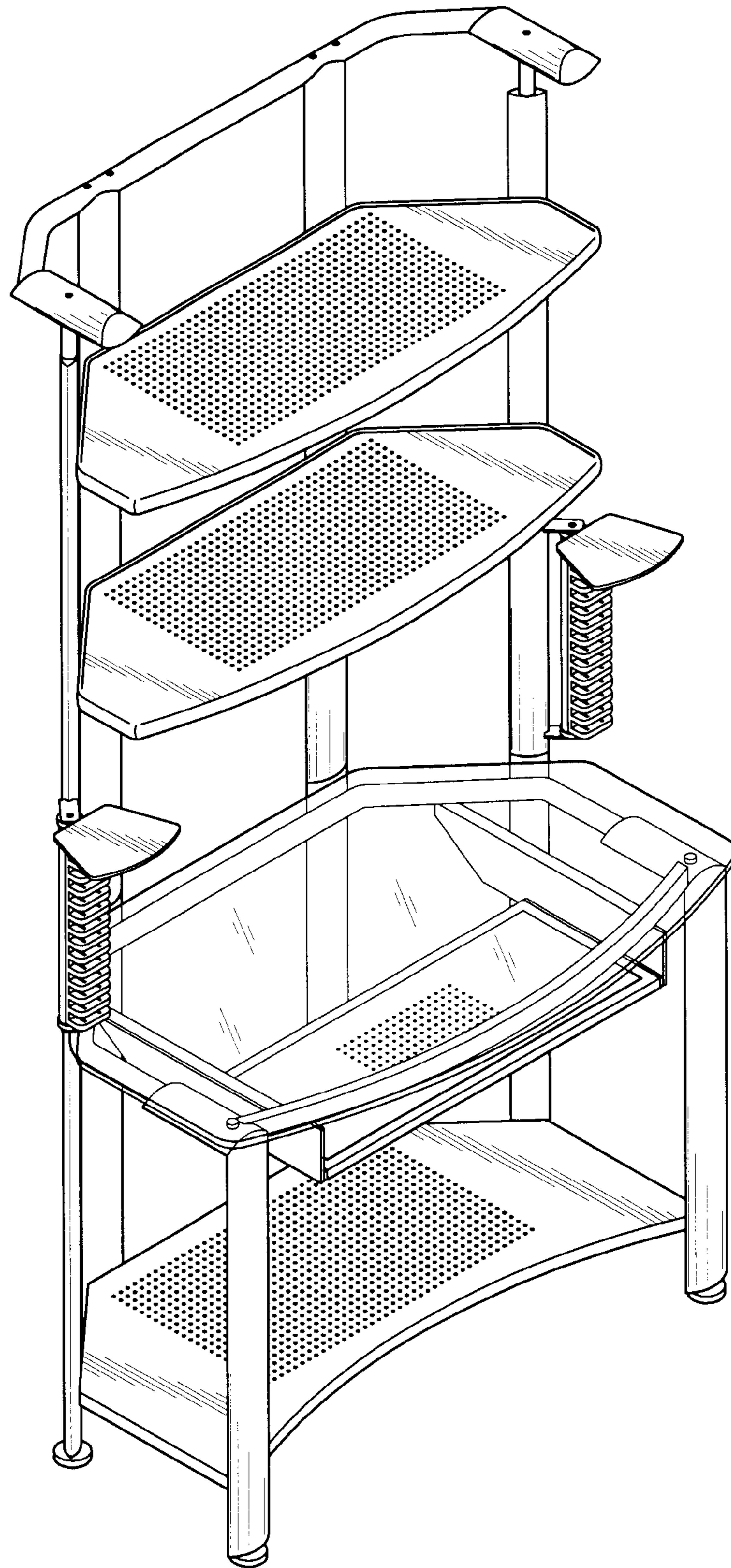


FIG. 1

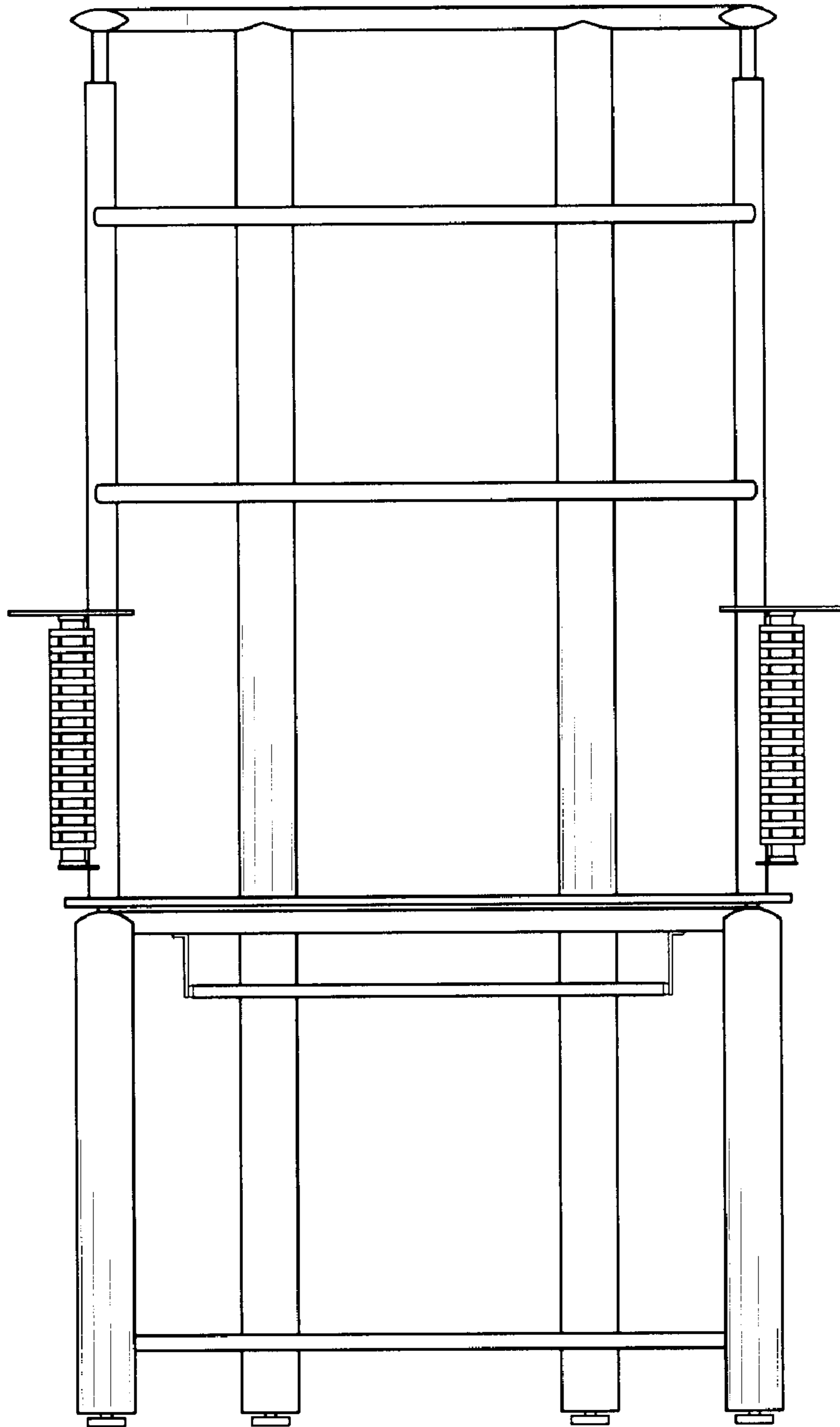


FIG.2

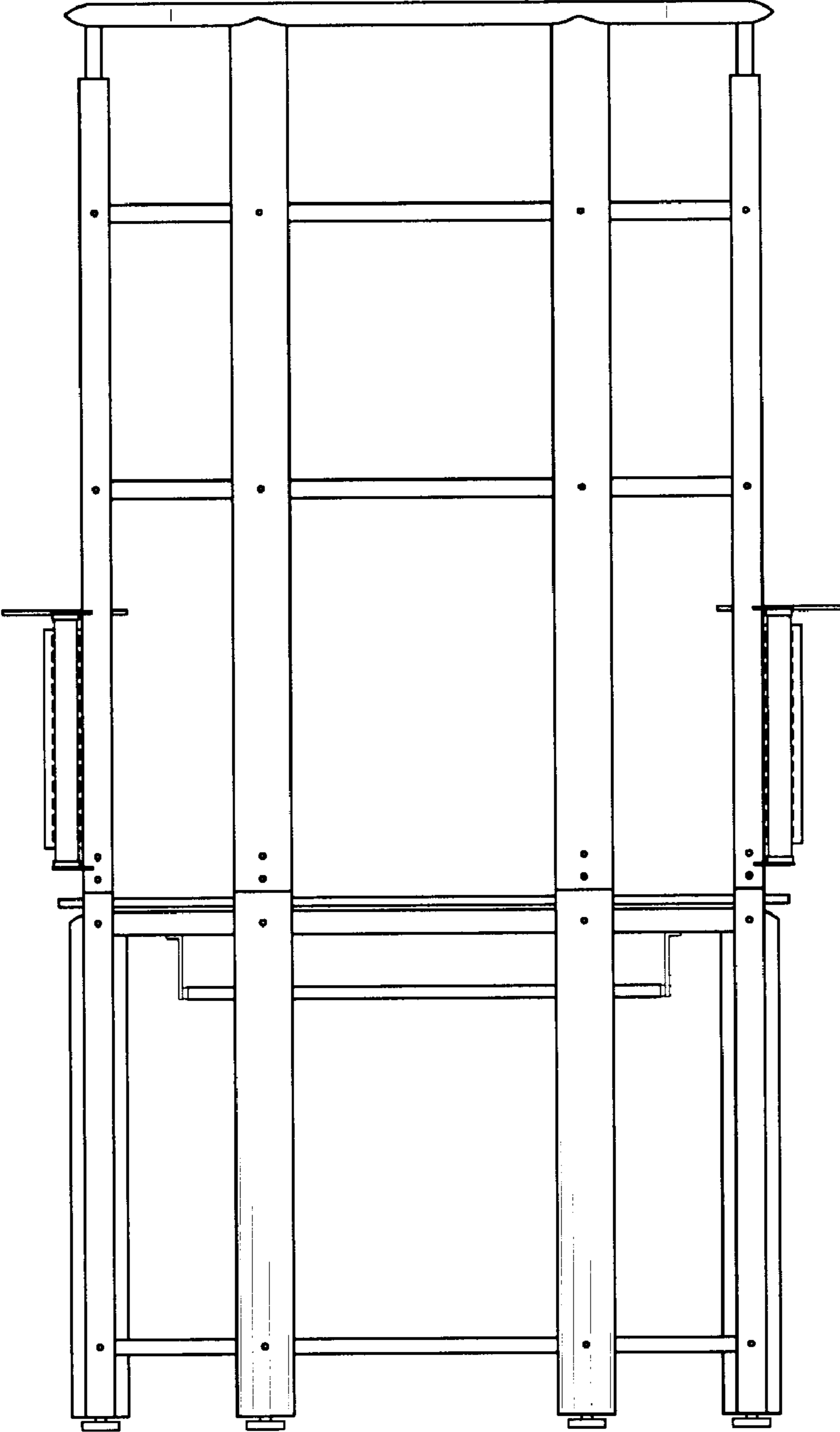


FIG.3

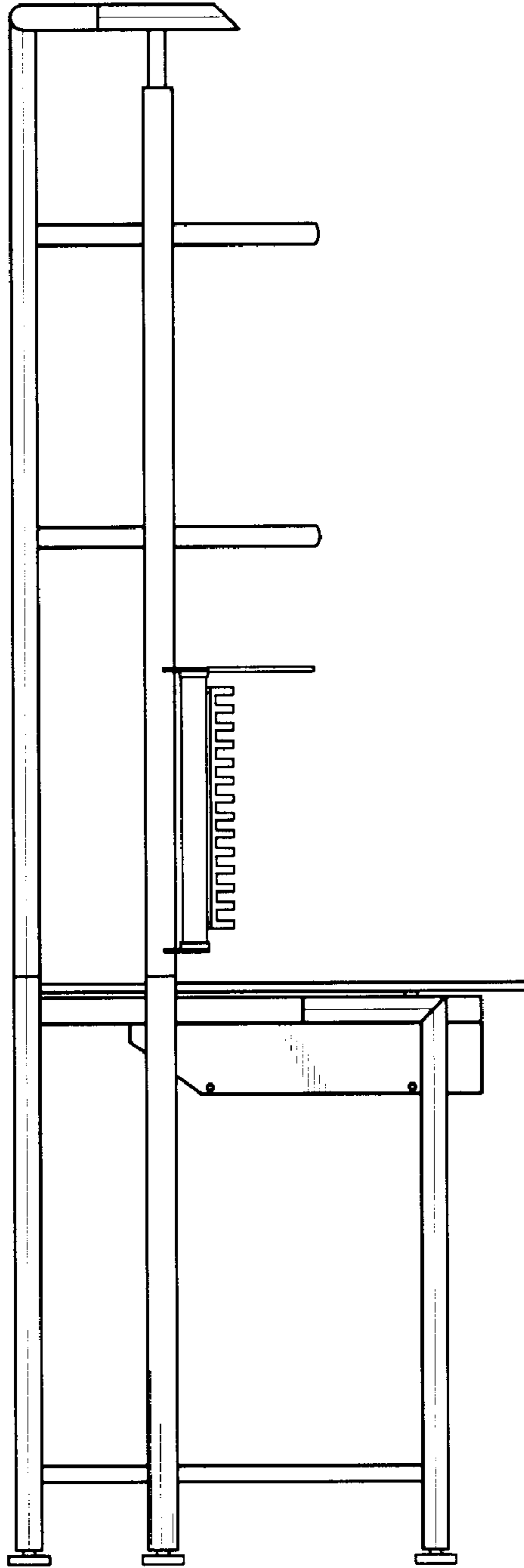


FIG.4

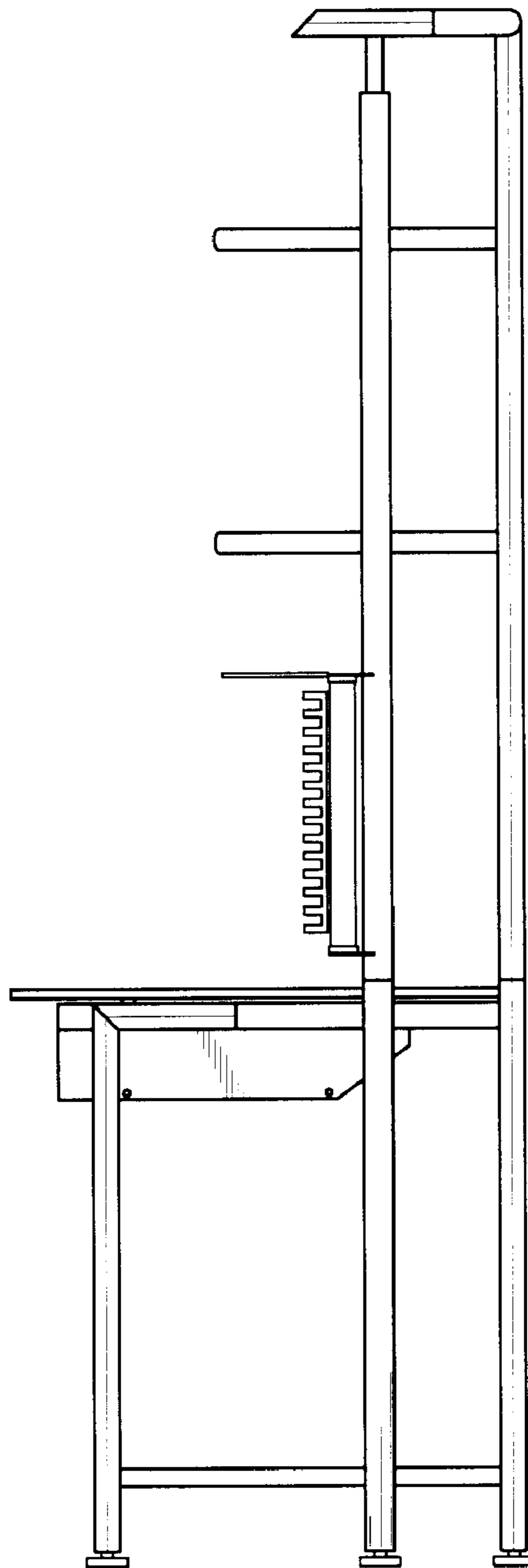


FIG.5

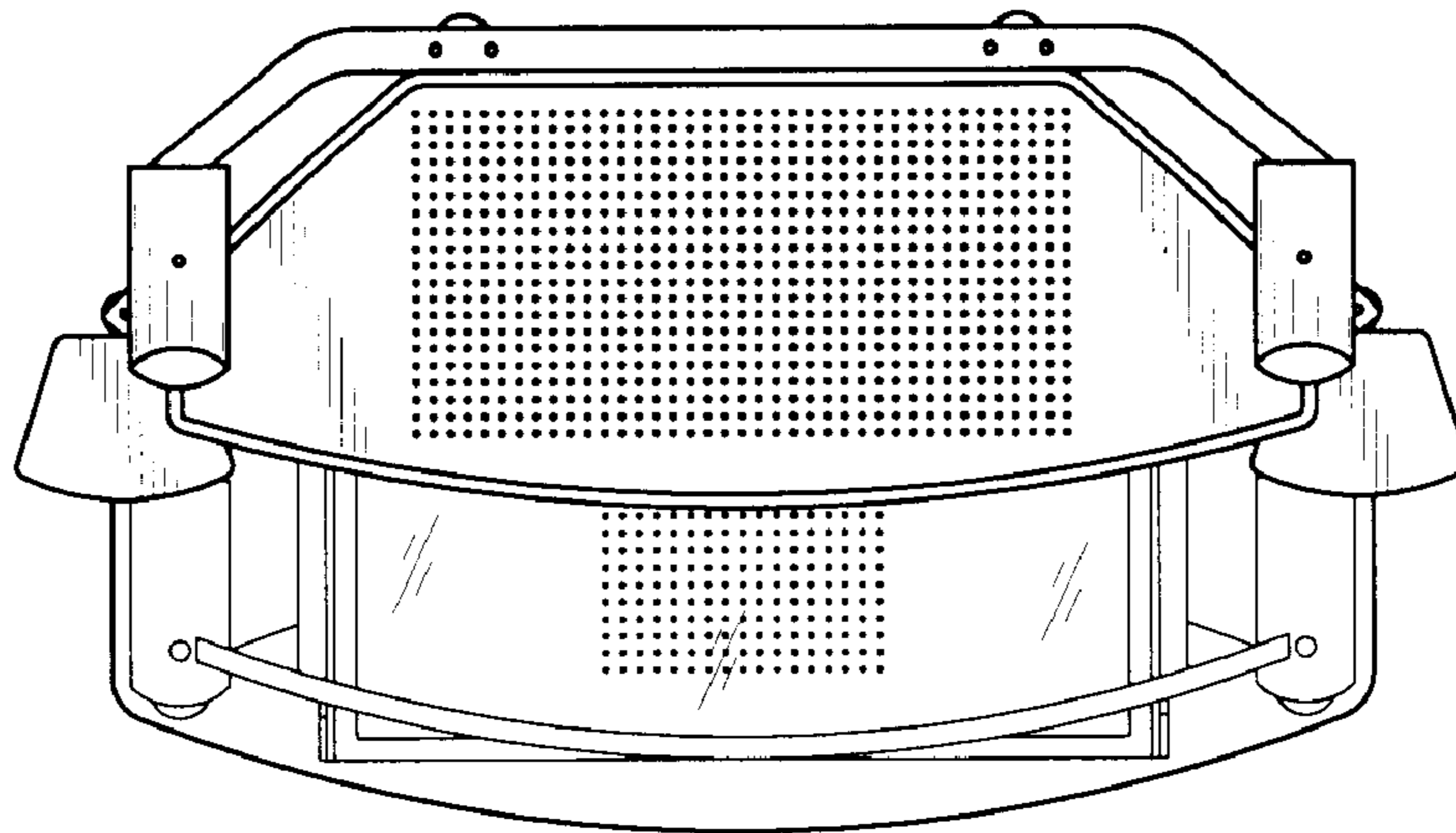


FIG. 6

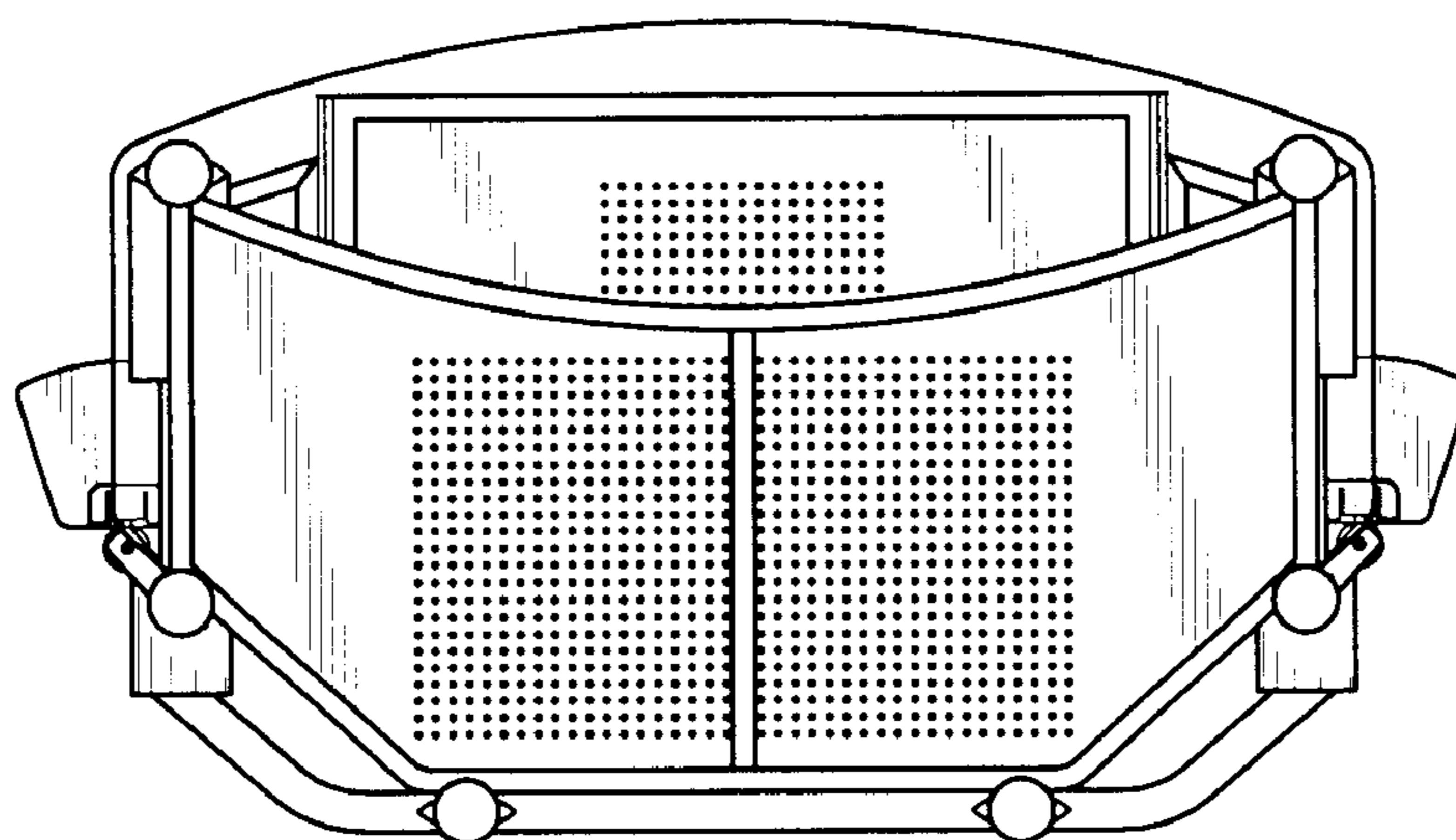


FIG. 7