



US00D509675S

(12) **United States Design Patent**
Reza-Hadden

(10) **Patent No.:** **US D509,675 S**
(45) **Date of Patent:** **** Sep. 20, 2005**

(54) **BENCH**

(75) Inventor: **Ana Maria Reza-Hadden**, San Rafael, CA (US)

(73) Assignee: **Landscape Forms, Inc.**, Kalamazoo, MI (US)

(**) Term: **14 Years**

(21) Appl. No.: **29/211,830**

(22) Filed: **Aug. 23, 2004**

(51) **LOC (8) Cl.** **06-01**

(52) **U.S. Cl.** **D6/381**

(58) **Field of Search** D6/334-335, 349-353,
D6/371, 373-374, 381, 500-502; 297/232,
445.1, 446.1

(56) **References Cited**

U.S. PATENT DOCUMENTS

D392,821 S	*	3/1998	Yurk	D6/500
D419,004 S	*	1/2000	Collins	D6/492
D458,475 S	*	6/2002	Hecht et al.	D6/492
D483,960 S	*	12/2003	Chipman	D6/370

OTHER PUBLICATIONS

Diamond Pattern Bench—CD8212. Wabash Valley 1998 “Plastisol” Coated Furniture Catalog. p. 55.*
Rib Pattern Bench—CR8677. Wabash Valley 1998 “Plastisol” Coated Furniture Catalog. p. 57.*

The Santiam. 2003 McGraw Hill Construction Sweets Catalog. 02870/HUN. Buyline 3749.*

“Ergo bench”, Wausau Tile, Sweets Catalog 2004, Division 02870, 1 page.

“City Sites Series” and “Prairie Sites Series”, Victor Stanley, Inc., Sweets Catalog 2004, Division 02870, p. 10.

“Rugged elegance”, RPI, Sweets Catalog 2004, Division 02870, p. 7.

* cited by examiner

Primary Examiner—Caron D. Veynar

Assistant Examiner—Vy Nguyen

(74) *Attorney, Agent, or Firm*—Heslin Rothenberg Farley & Mesiti, P.C.

(57) **CLAIM**

The ornamental design for a bench, as shown and described.

DESCRIPTION

FIG. 1 is an isometric view of the bench of the present design;

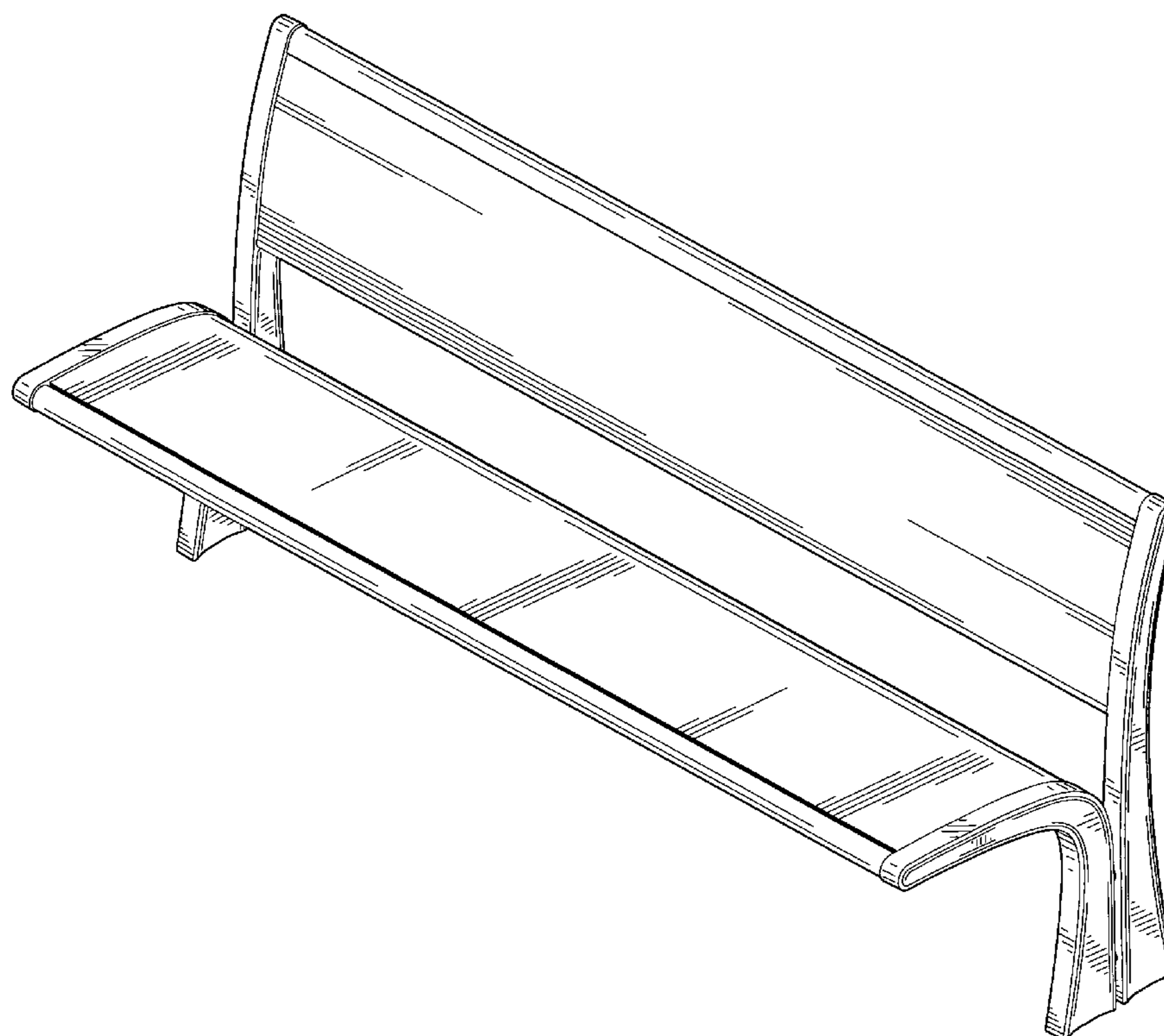
FIG. 2 is a front elevation view thereof;

FIG. 3 is a right side elevation view thereof, the left side elevation view being a mirror image thereof;

FIG. 4 is a rear elevation view thereof; and,

FIG. 5 is a top plan view thereof.

1 Claim, 5 Drawing Sheets



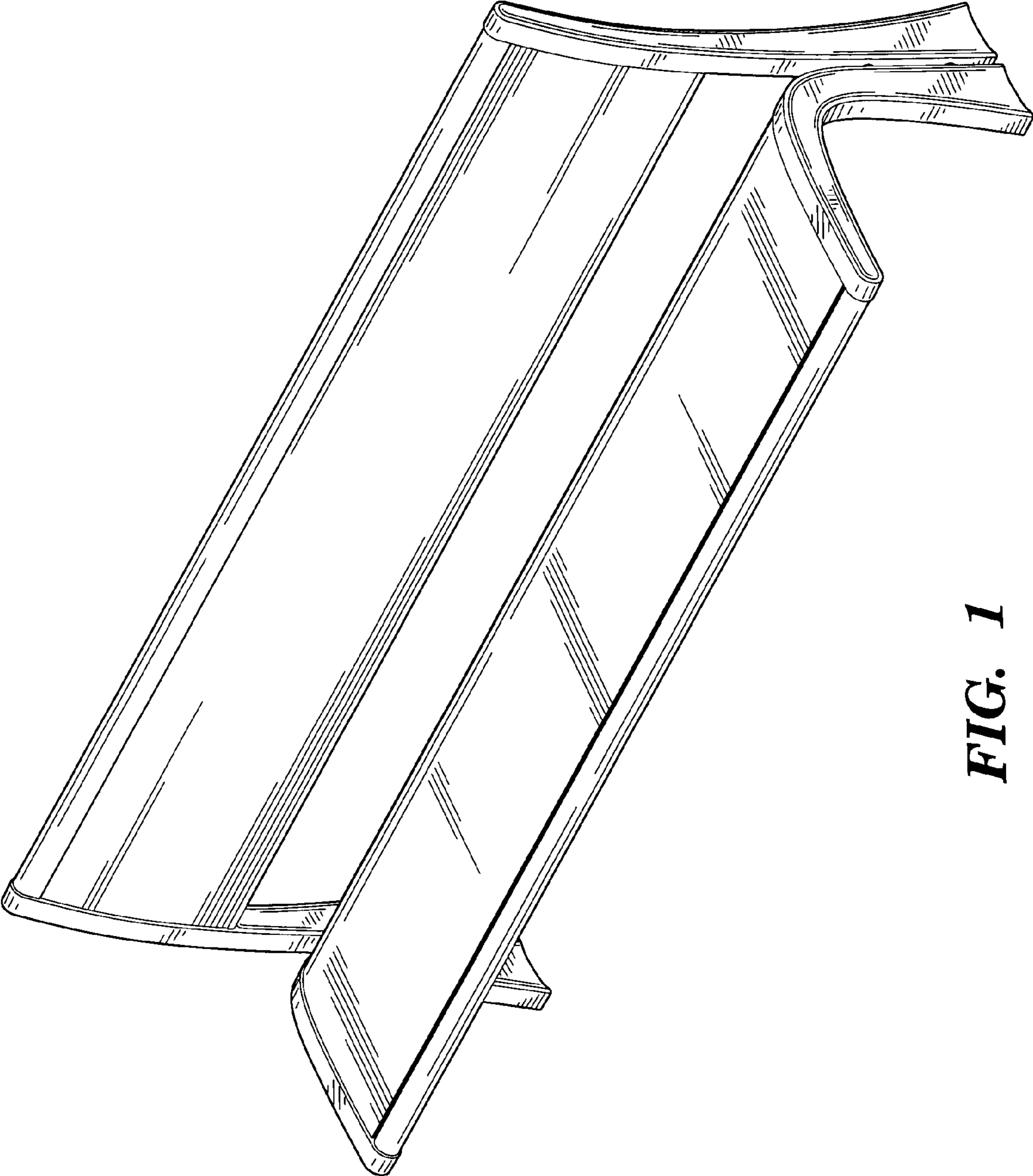


FIG. 1

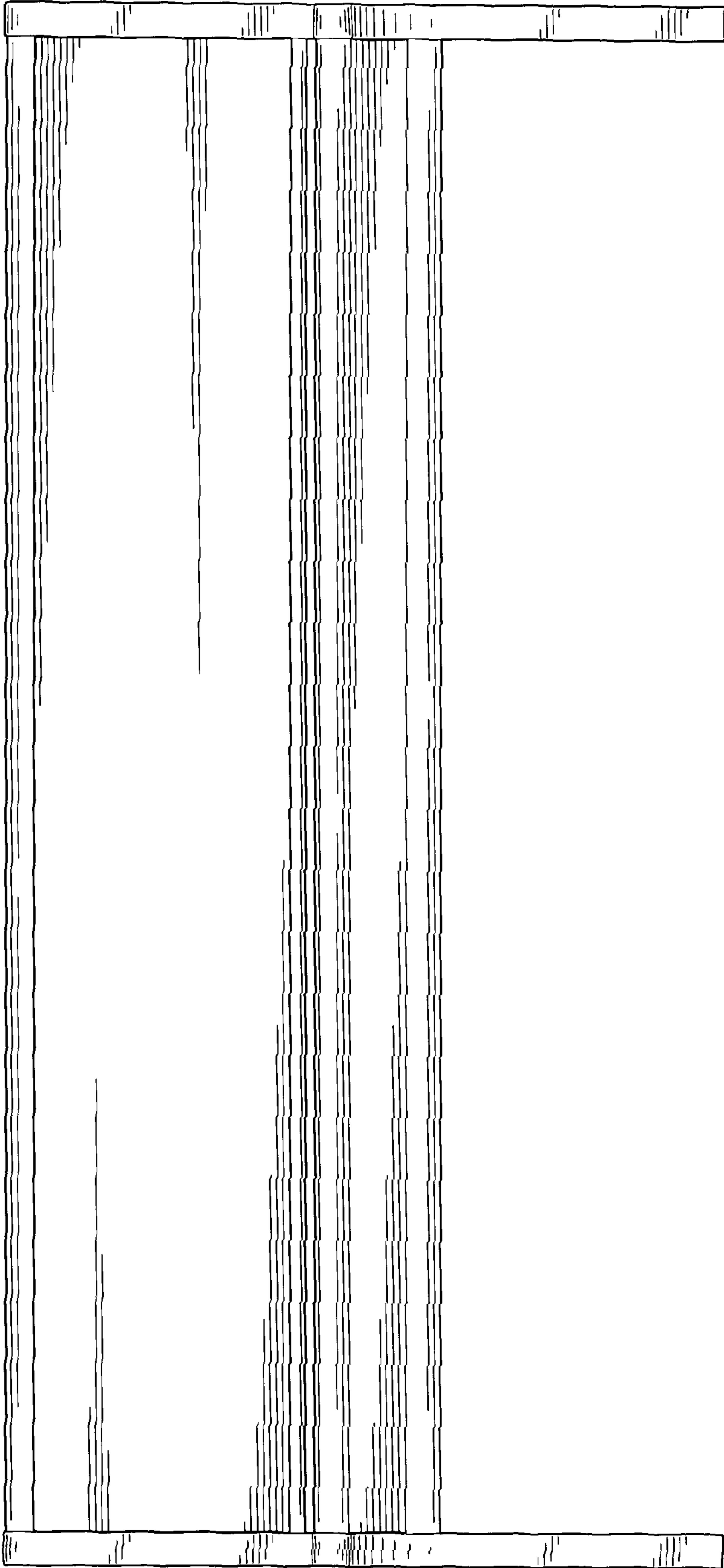


FIG. 2

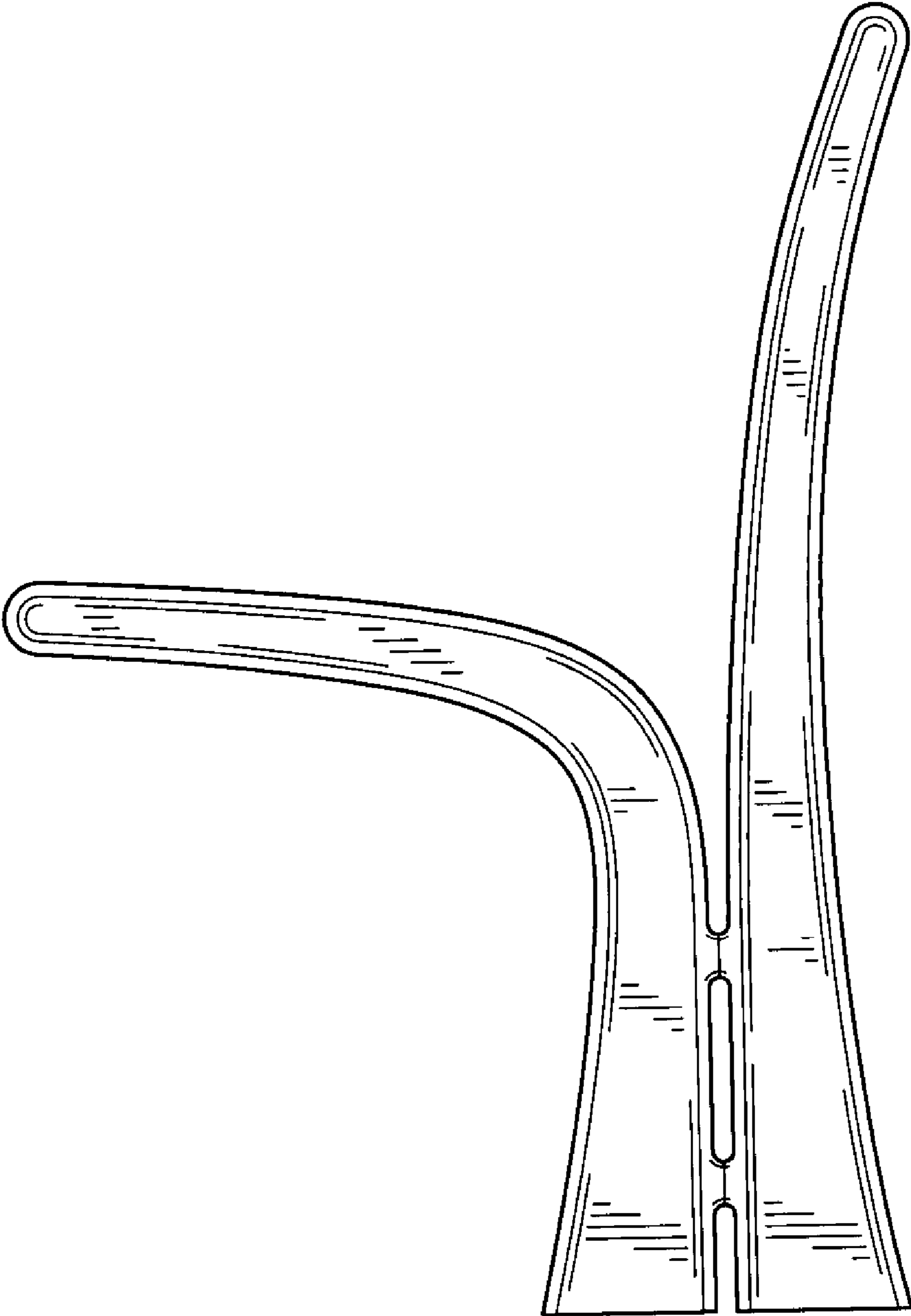


FIG. 3

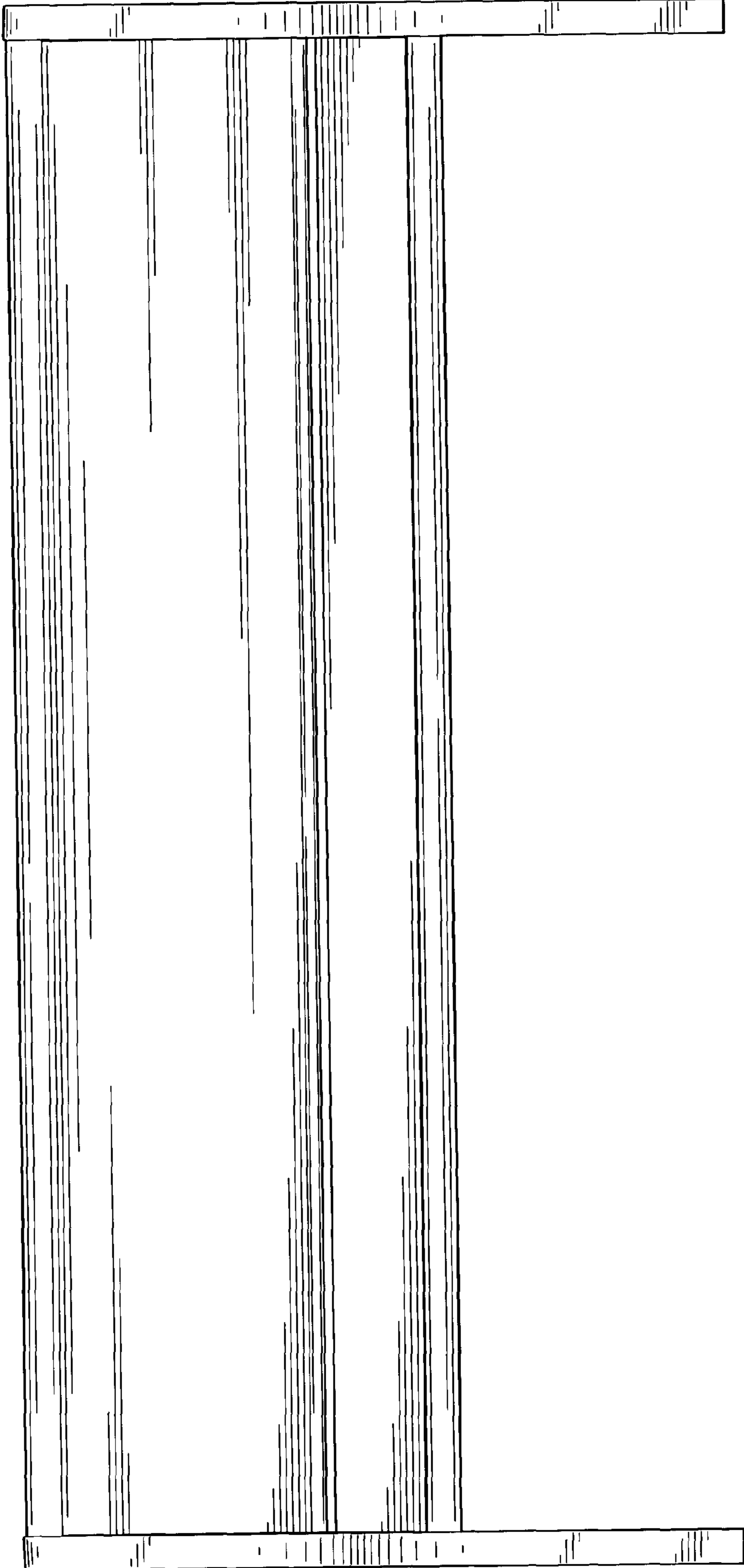


FIG. 4

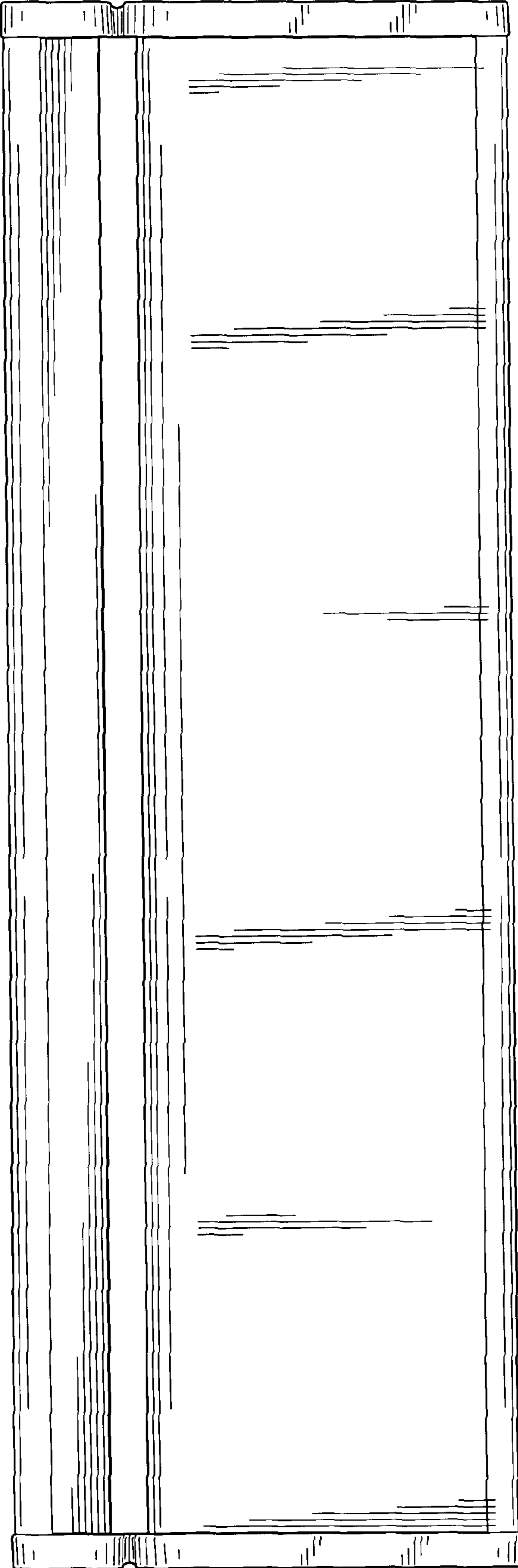


FIG. 5