



US00D509672S

(12) **United States Design Patent**
Nemeth, Jr. et al.

(10) **Patent No.: US D509,672 S**
(45) **Date of Patent: ** Sep. 20, 2005**

(54) **AUDITORIUM SEAT**
(75) **Inventors: Steve J. Nemeth, Jr., South Bend, IN (US); Jon W. Gayhart, DePere, WI (US)**

3,638,988 A 2/1972 Anderson
3,727,975 A 4/1973 Anderson
5,628,103 A 5/1997 Ayotte et al.
5,681,085 A * 10/1997 Nahoul 297/354.1
6,523,900 B1 2/2003 Conner et al.
6,582,020 B1 6/2003 Tenenboym et al.

(73) **Assignee: Krueger International, Inc., Green Bay, WI (US)**

* cited by examiner

(**) **Term: 14 Years**

Primary Examiner—Mimosa De
(74) *Attorney, Agent, or Firm*—Boyle, Fredrickson, Newholm, Stein & Gratz, S.C.

(21) **Appl. No.: 29/204,167**

(57) **CLAIM**

(22) **Filed: Apr. 26, 2004**

The ornamental design of an auditorium seat, as shown and described.

(51) **LOC (8) Cl. 06-01**

(52) **U.S. Cl. D6/368**

(58) **Field of Search** D6/334–336, 368, D6/374, 375, 376, 379, 381, 502; 297/232, 311, 331, 335, 344.22, 354.1, 302.4

DESCRIPTION

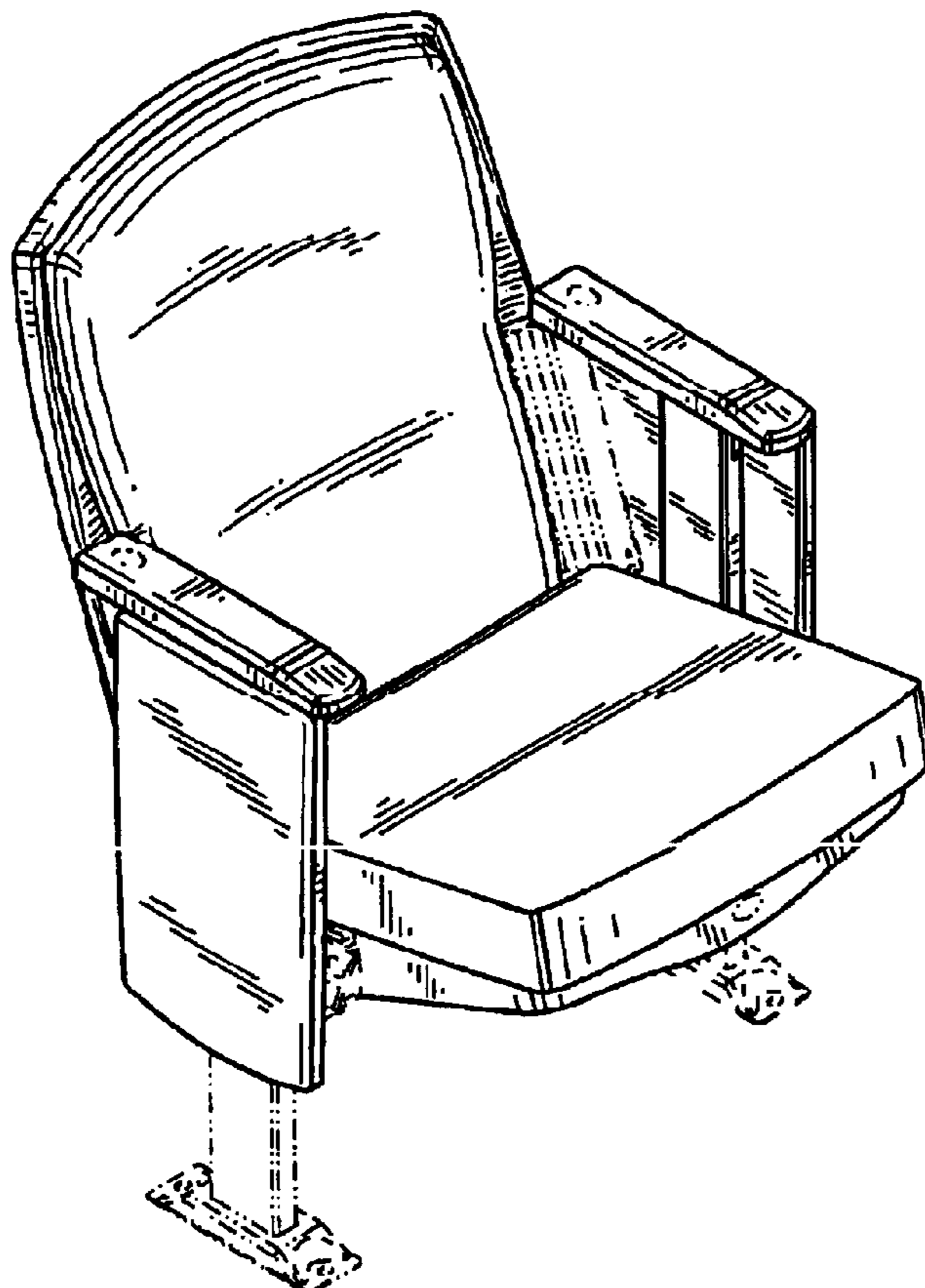
(56) **References Cited**

U.S. PATENT DOCUMENTS

D140,751 S * 4/1945 Jufe D6/368
D165,457 S * 12/1951 Hoven et al. D6/368
2,595,582 A * 5/1952 Hoven et al. 297/302.4
D222,350 S * 10/1971 Sundberg et al. D6/368

FIG. 1 is an isometric view of the auditorium seat incorporating my new design, wherein portions are illustrated in phantom and form no part of the claimed design; FIG. 2 is a front elevation view thereof; FIG. 3 is a right side elevation view thereof, the left side elevation view being a mirror image; FIG. 4 is a top plan view thereof; and, FIG. 5 is a rear elevation view thereof.

1 Claim, 3 Drawing Sheets



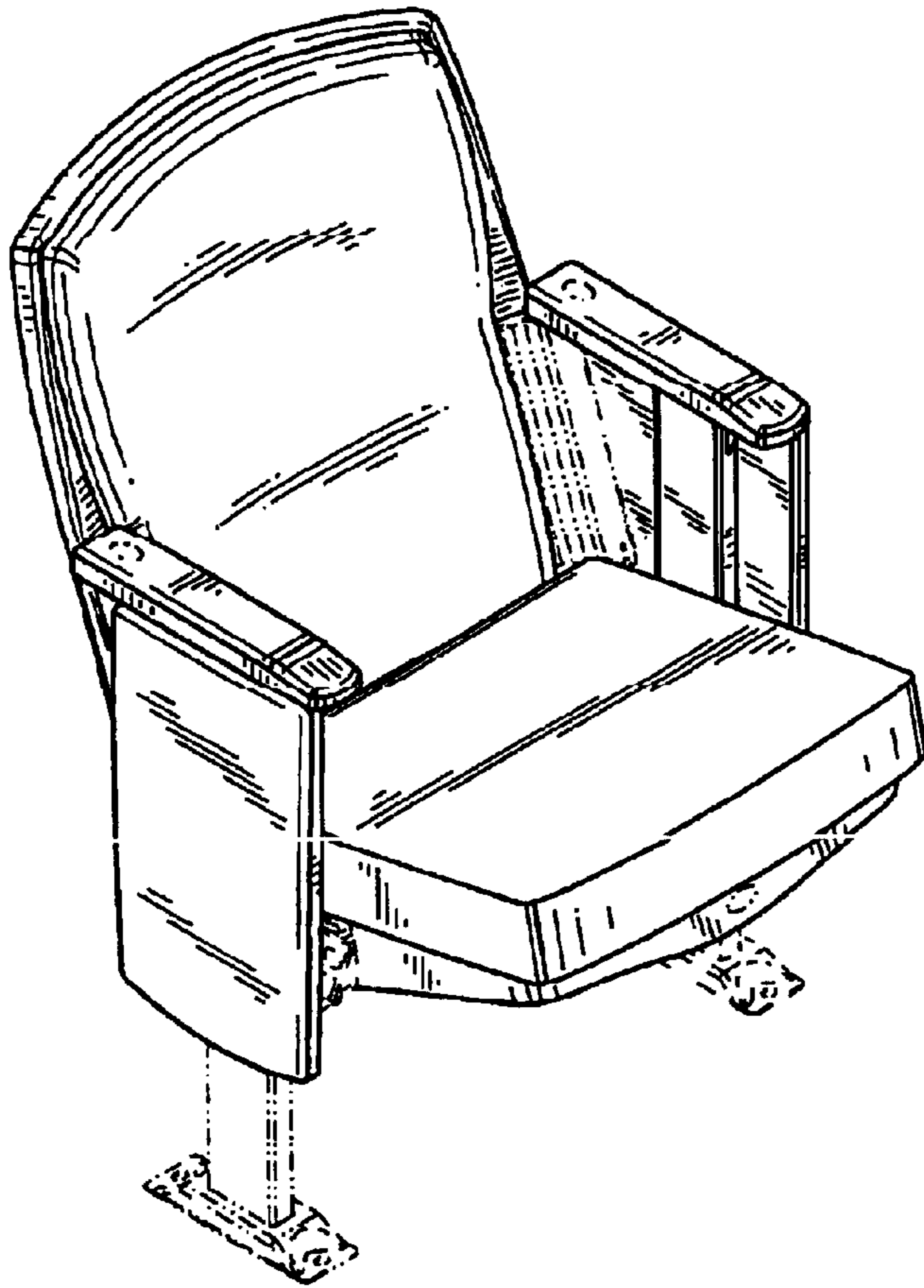
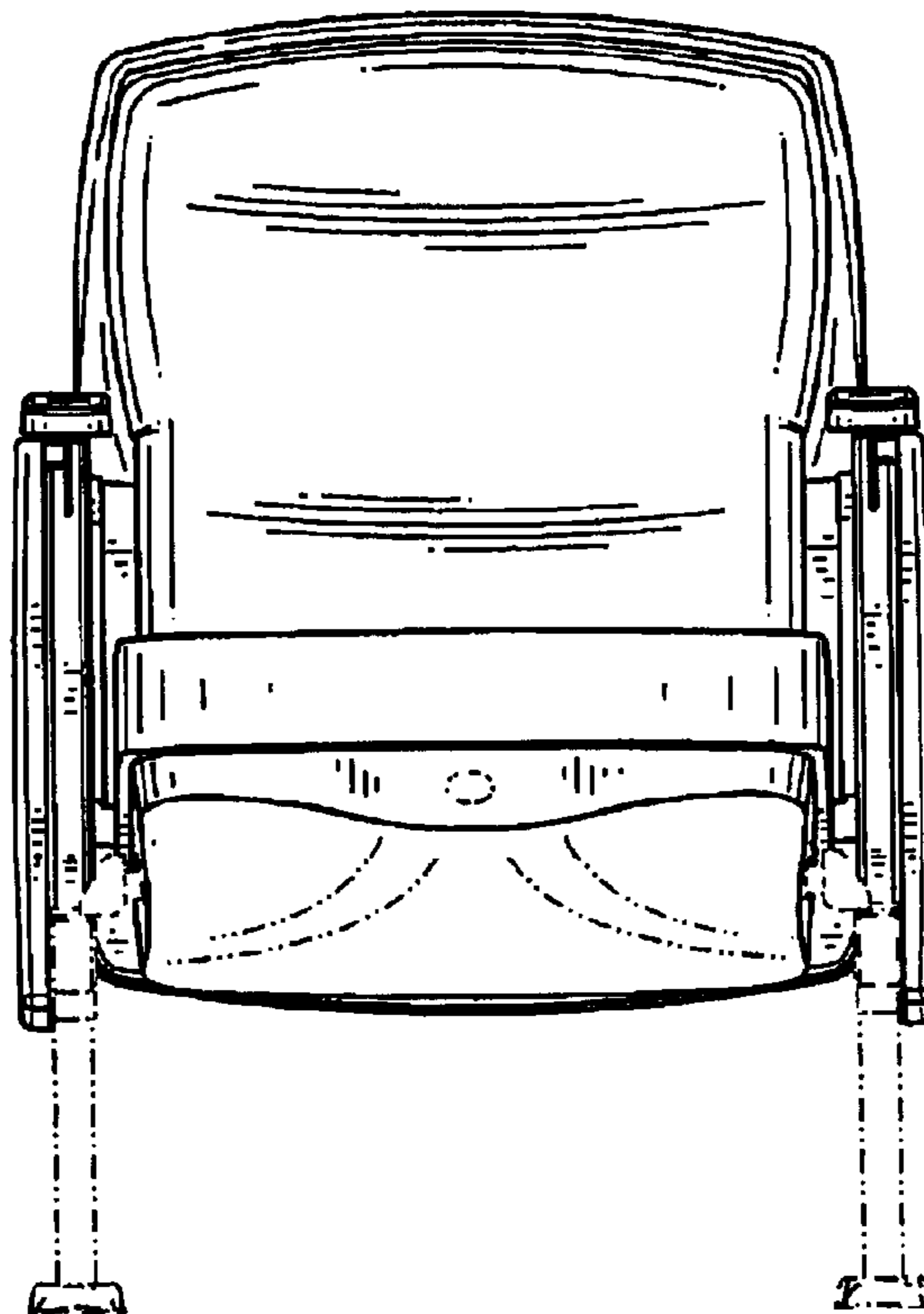


FIG. 1

FIG. 2



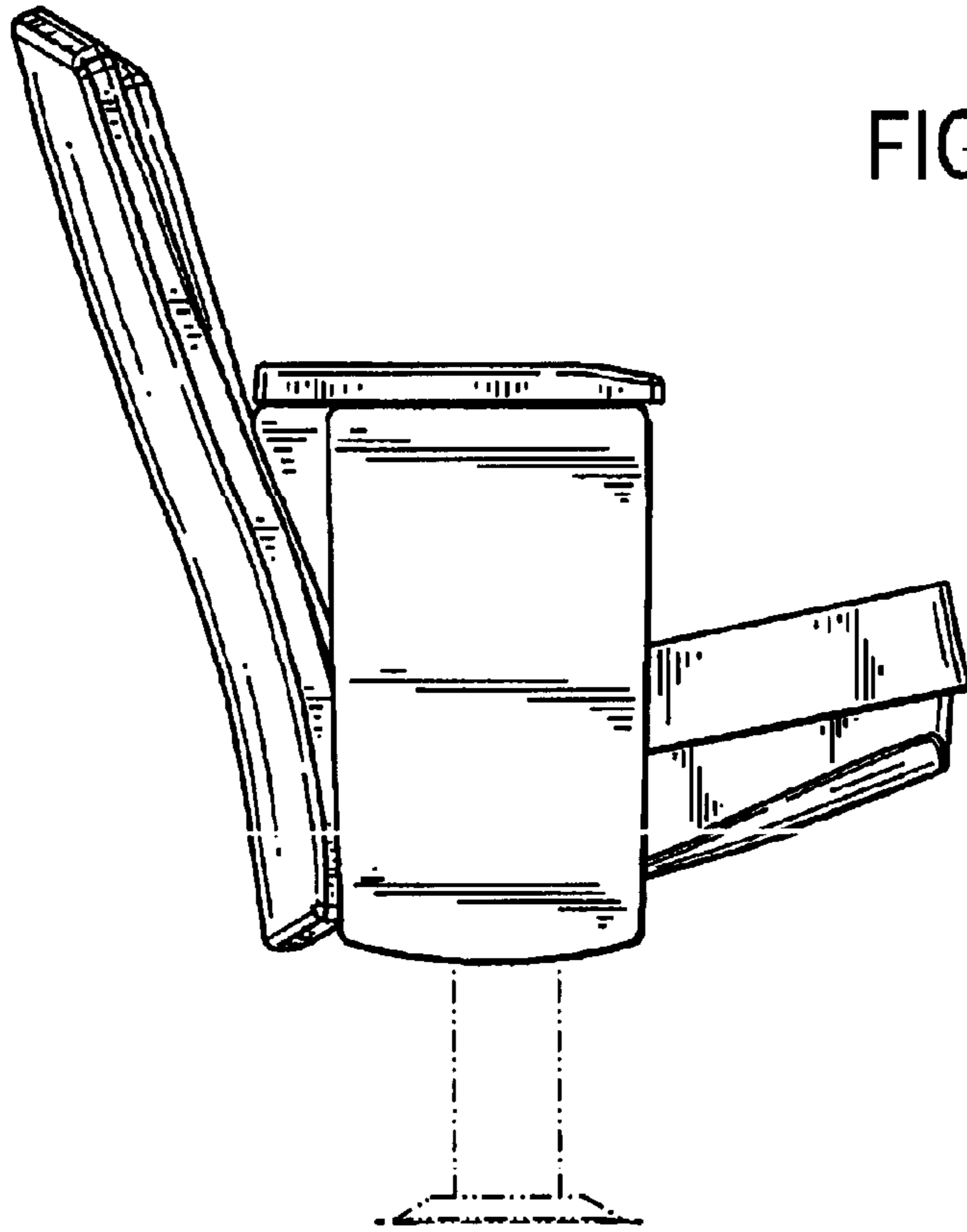


FIG. 3

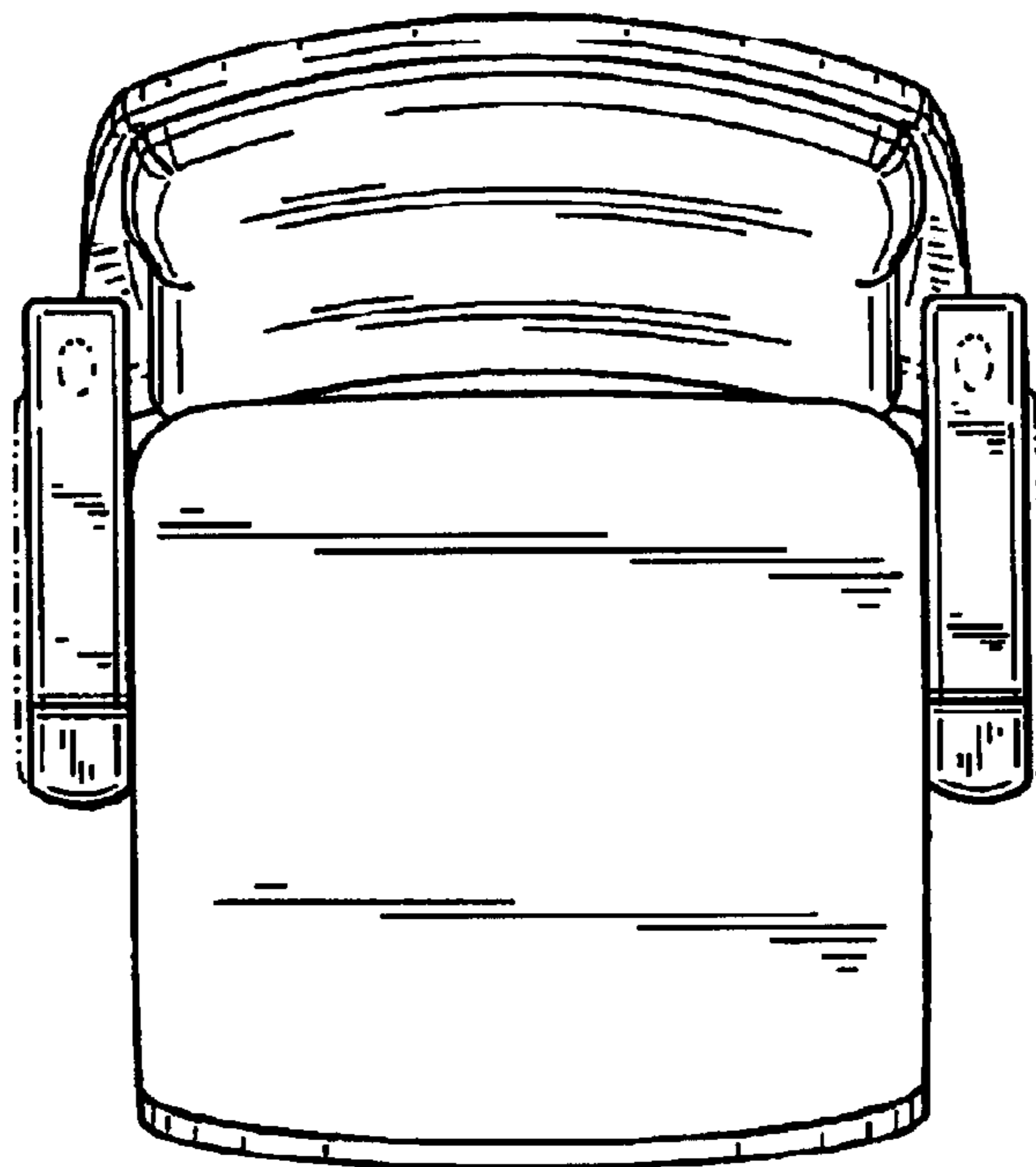


FIG. 4

FIG. 5

