

US00D509671S

(12) **United States Design Patent**  
**Olson et al.**

(10) **Patent No.:** **US D509,671 S**

(45) **Date of Patent:** **\*\* Sep. 20, 2005**

(54) **ARMLESS CHAIR**

(75) Inventors: **Ogden R. Olson**, Muscatine, IA (US);  
**John Koch**, Iowa City, IA (US)

(73) Assignee: **HNI Technologies Inc.**, Muscatine, IA (US)

(\*\*) Term: **14 Years**

(21) Appl. No.: **29/198,615**

(22) Filed: **Jan. 30, 2004**

(51) **LOC (8) Cl.** ..... **06-01**

(52) **U.S. Cl.** ..... **D6/366**

(58) **Field of Search** ..... D6/334, 335, 364,  
D6/365, 366, 367, 500-502; 297/411.2,  
411.27, 411.28

(56) **References Cited**

**U.S. PATENT DOCUMENTS**

- D407,911 S \* 4/1999 Brauning ..... D6/366
- D437,497 S \* 2/2001 Brauning ..... D6/366
- D437,701 S \* 2/2001 Bellini et al. .... D6/366

- D444,309 S \* 7/2001 Nagamitsu ..... D6/366
- D445,613 S \* 7/2001 Ginat ..... D6/500
- D476,820 S \* 7/2003 Nagamitsu ..... D6/366
- D477,469 S \* 7/2003 Brooks ..... D6/366
- D487,197 S \* 3/2004 Edwards et al. .... D6/366

\* cited by examiner

*Primary Examiner*—Mimosa De

(74) *Attorney, Agent, or Firm*—Ronald A. Sandler; Jones Day

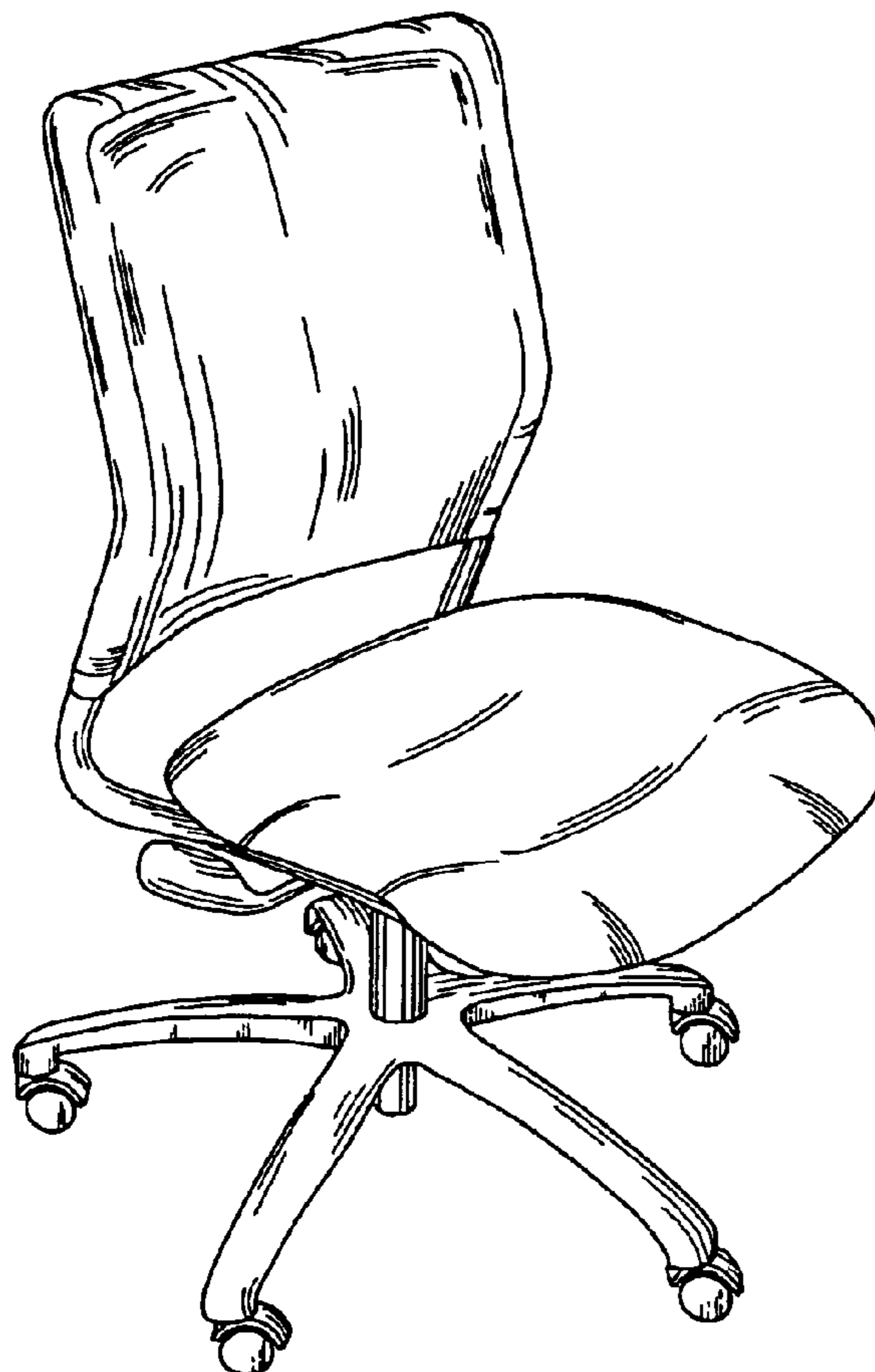
(57) **CLAIM**

We claim the ornamental design for an armless chair, as shown and described.

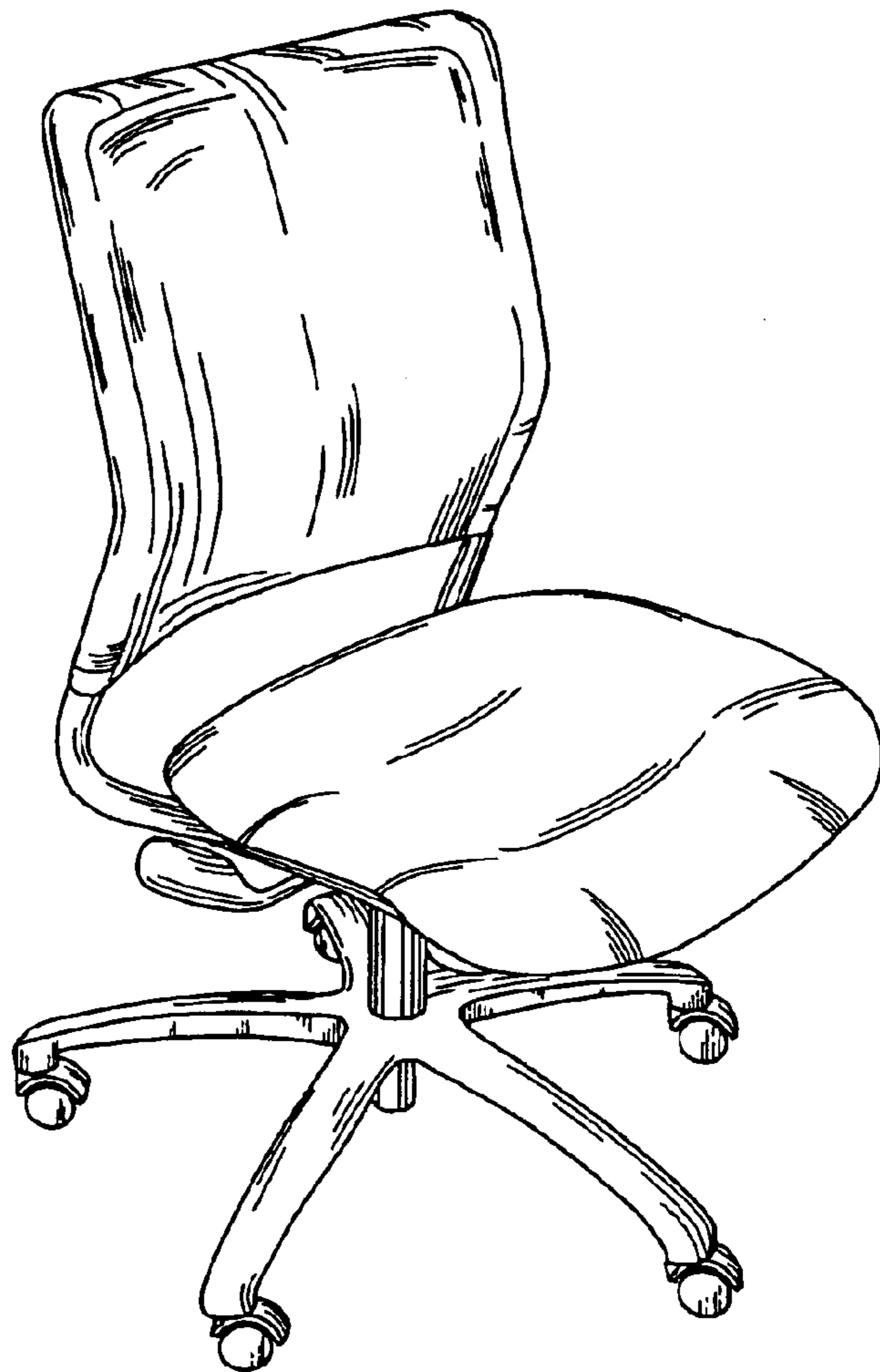
**DESCRIPTION**

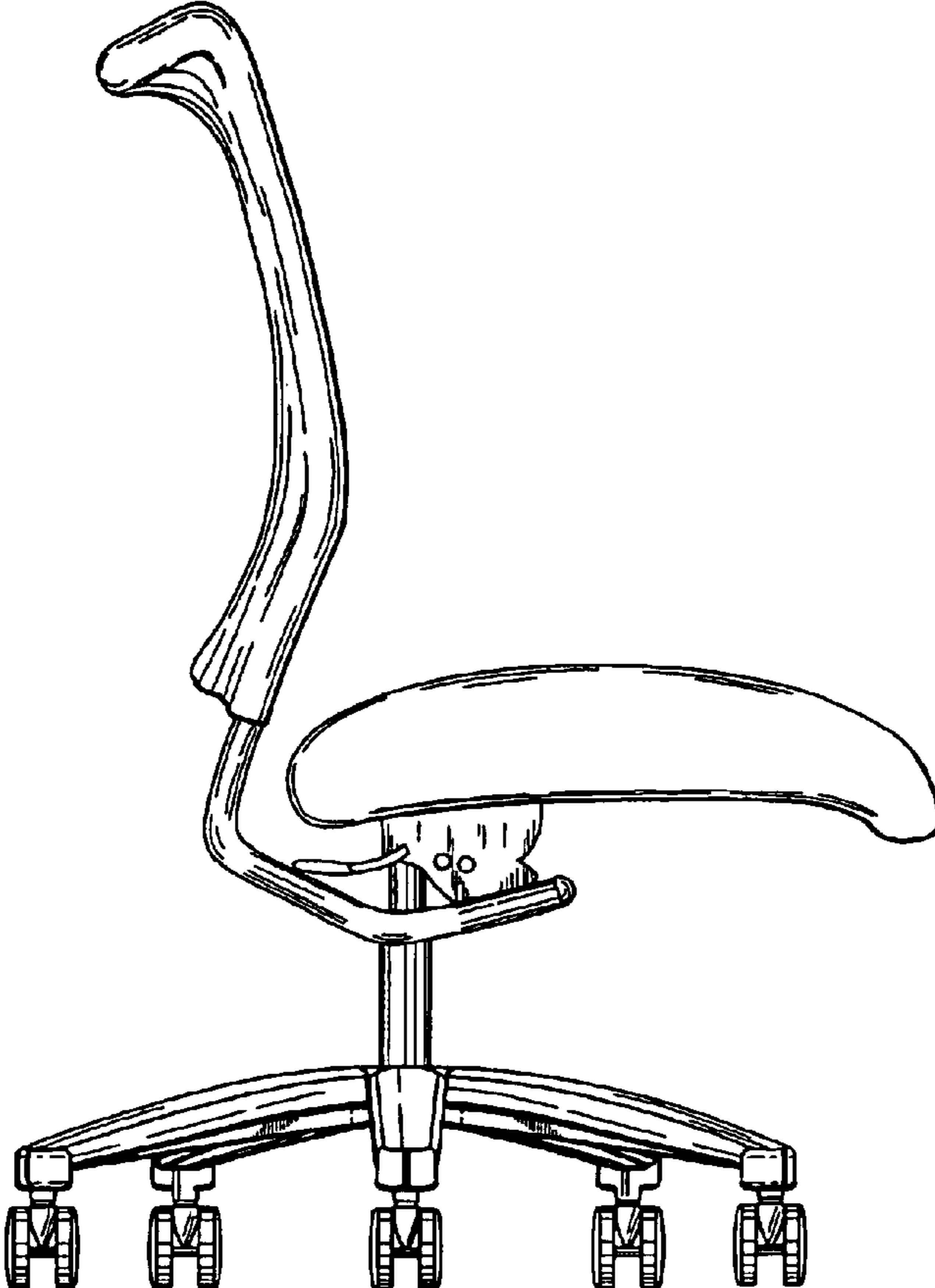
FIG. 1 is a front perspective view of an armless chair showing the new design;  
FIG. 2 is a right side view thereof;  
FIG. 3 is a left side view thereof;  
FIG. 4 is a top plan view thereof;  
FIG. 5 is a front view thereof; and,  
FIG. 6 is a back view thereof.

**1 Claim, 4 Drawing Sheets**



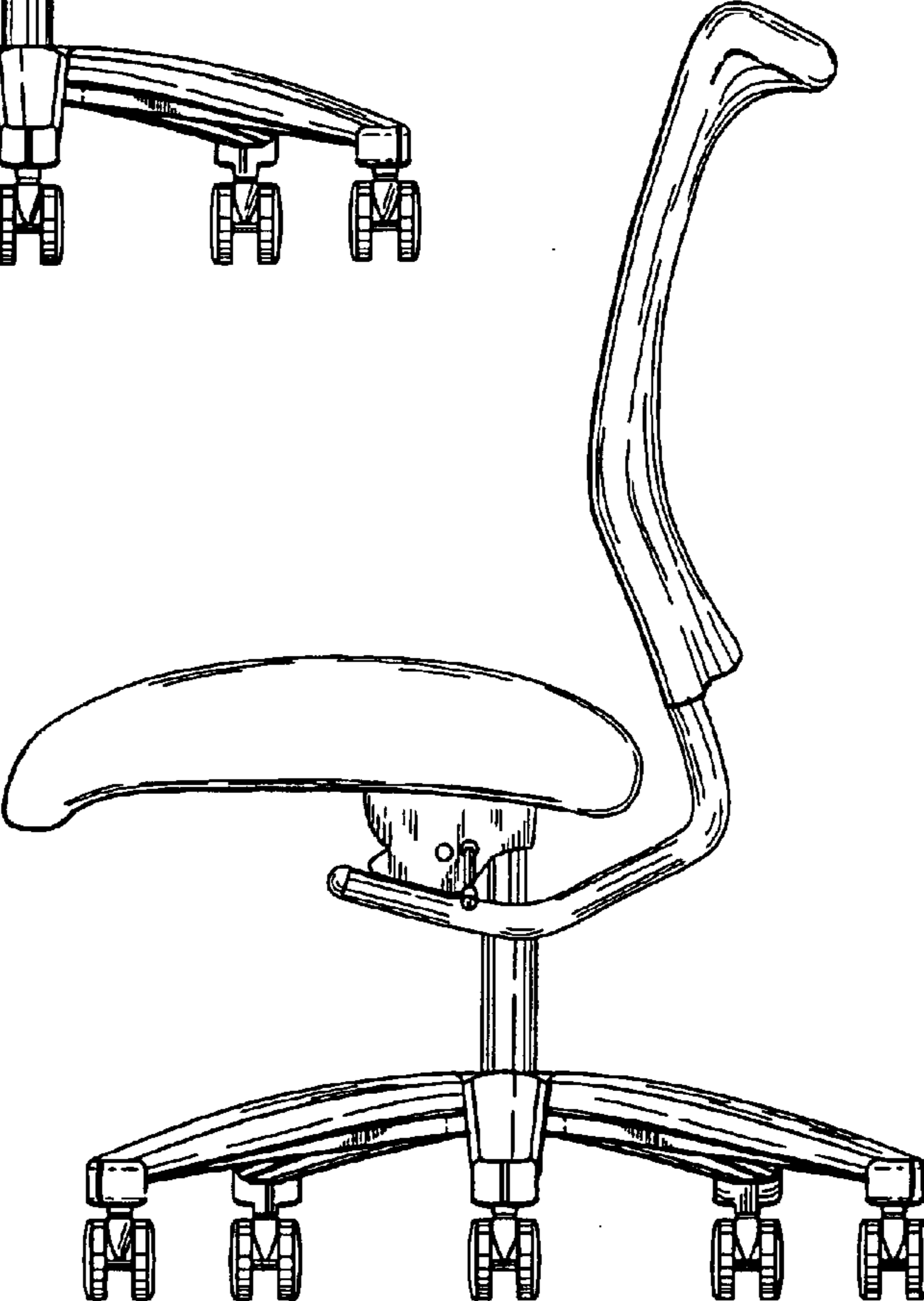
*Fig. 1*

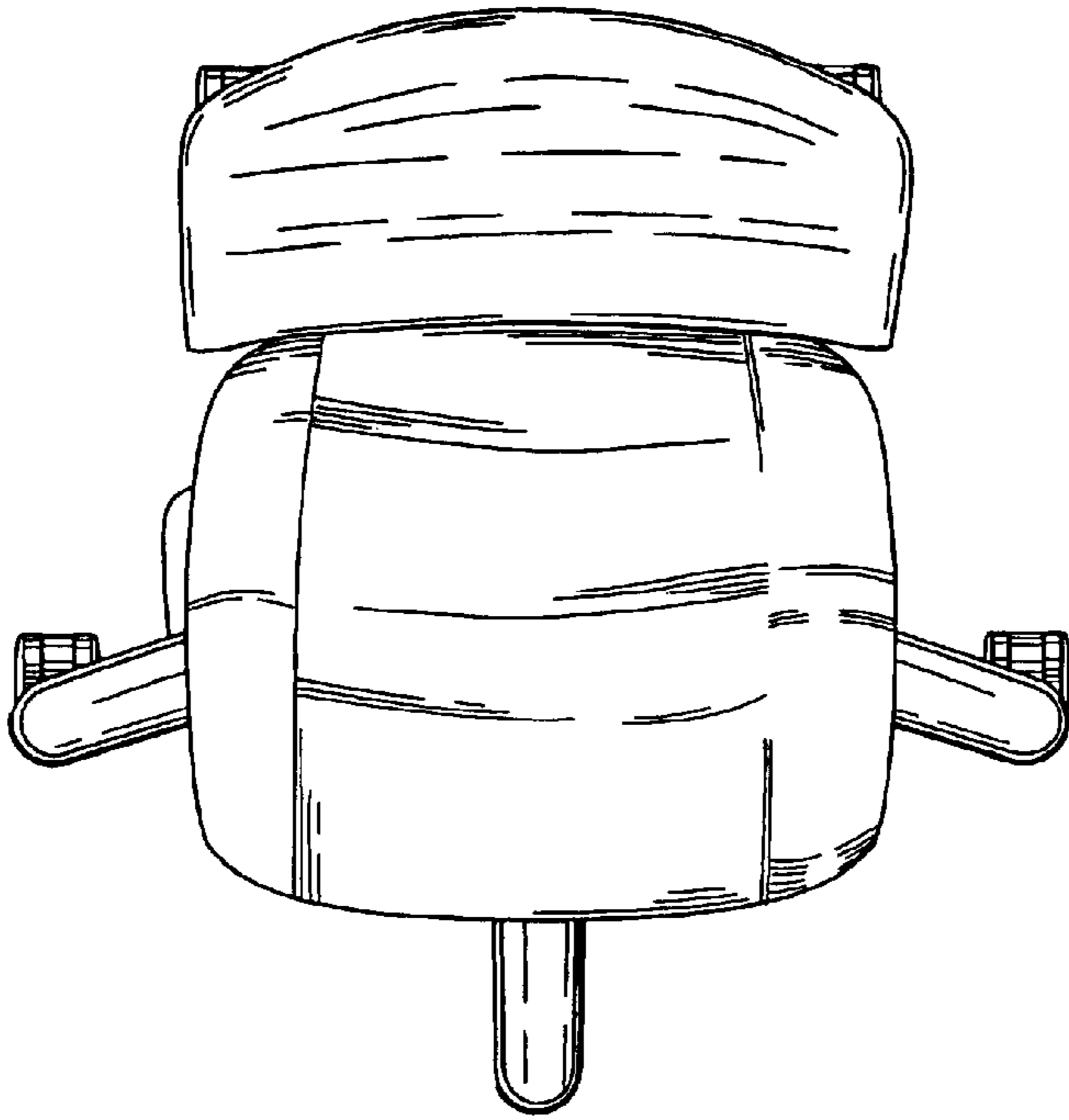




*Fig. 2*

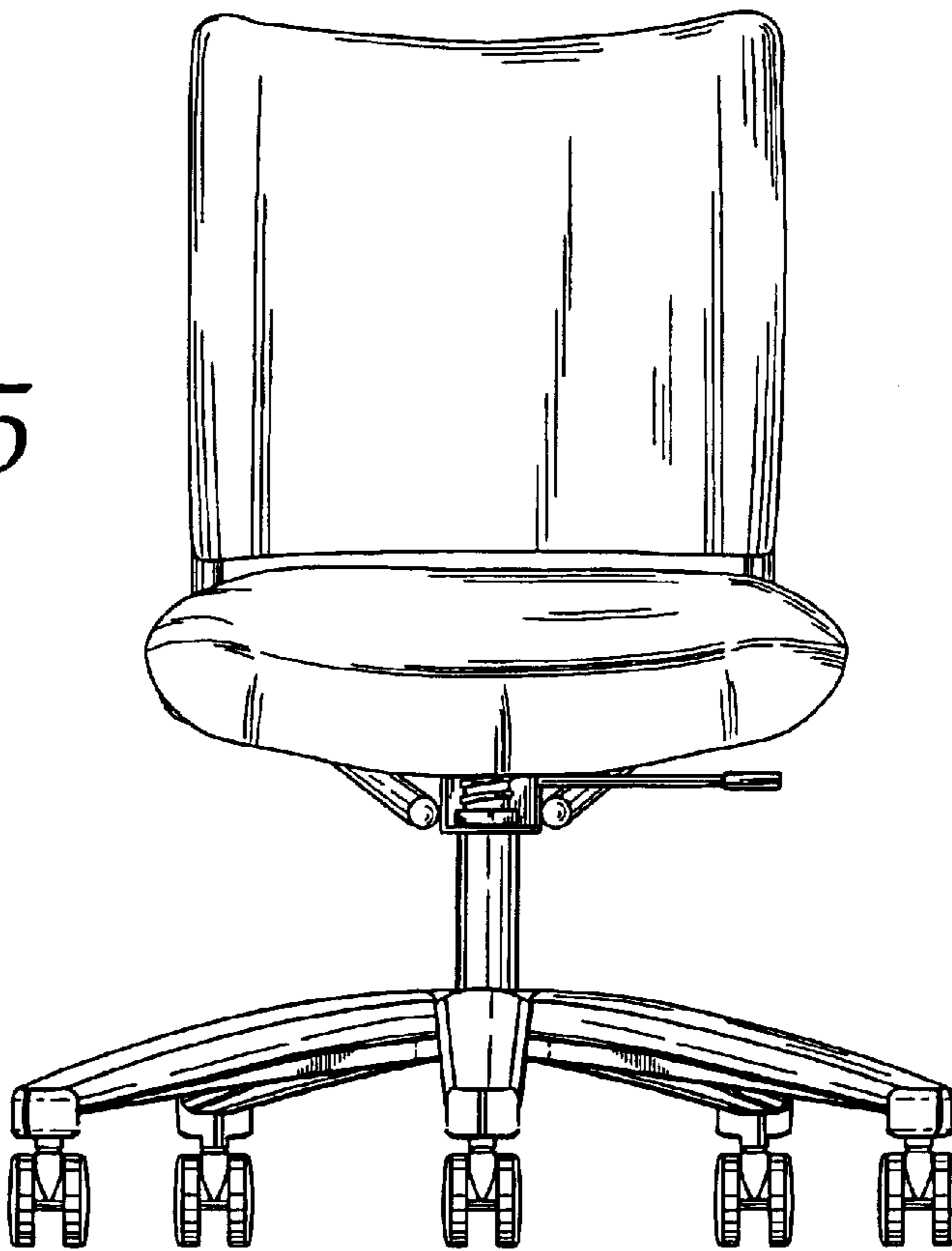
*Fig. 3*





*Fig. 4*

*Fig. 5*



*Fig. 6*

