



US00D509670S

(12) **United States Design Patent**  
**Carter**

(10) **Patent No.:** **US D509,670 S**  
(45) **Date of Patent:** **\*\* Sep. 20, 2005**

(54) **CHAISE LOUNGE**

(75) **Inventor:** **Raymond Mayo Carter**, Marina Del Rey, CA (US)

(73) **Assignee:** **Brown Jordan International, Inc.**, Pompano Beach, FL (US)

(\*\*) **Term:** **14 Years**

(21) **Appl. No.:** **29/210,157**

(22) **Filed:** **Jul. 28, 2004**

(51) **LOC (8) Cl.** ..... **06-01**

(52) **U.S. Cl.** ..... **D6/361**

(58) **Field of Search** ..... D6/334–336, 361,  
D6/367, 368, 500–502; 297/377

(56) **References Cited**

**U.S. PATENT DOCUMENTS**

D240,177 S	*	6/1976	Petersilie	.....	D6/335
D242,304 S	*	11/1976	Petersilie	.....	D6/335
D261,952 S	*	11/1981	Valdez	.....	D6/334
D486,969 S	*	2/2004	Weaver	.....	D6/361

**OTHER PUBLICATIONS**

Pemberton Double Chaise. Catalog [online]. Smith & Hawken, Spring 2003 [retrieved on Dec. 20, 2004]. Retrieved from the Internet: <URL: www.smithandhawken.com>.\*

\* cited by examiner

*Primary Examiner*—Robert M. Spear

*Assistant Examiner*—Vy Nguyen

(74) *Attorney, Agent, or Firm*—Lott & Friedland, P.A.

(57) **CLAIM**

The ornamental design for a chaise lounge, substantially as shown and described.

**DESCRIPTION**

FIG. 1 is a perspective view of a first embodiment of my new design with the backrest or footrest in the upright position; FIG. 2 is a perspective view of the embodiment of FIG. 1, in the flat position; FIG. 3 is a left side elevational view of the embodiment of FIG. 1; FIG. 4 is a right side elevational view of the embodiment of FIG. 1; FIG. 5 is a front elevational view of the embodiment of FIG. 1; FIG. 6 is a rear elevational view of the embodiment of FIG. 1; FIG. 7 is a top view of the embodiment of FIG. 1; FIG. 8 is a bottom view of the embodiment of FIG. 1; FIG. 9 is a perspective view of a second embodiment of my new design with opposite backrests or footrests in the upright position; FIG. 10 is a perspective view of the embodiment of FIG. 9, in the flat position; FIG. 11 is a side elevational view of the embodiment of FIG. 9, the opposite side view being a mirror image thereof; FIG. 12 is a front elevational view of the embodiment of FIG. 9, the rear view being a mirror image thereof; FIG. 13 is a top view of the embodiment of FIG. 9; FIG. 14 is a bottom view of the embodiment of FIG. 9; The broken lines outlining the interior framing of the chaise lounge in FIGS. 6, 8, 9, 12 and 14 are for illustrative purposes only and form no part of the claimed design.

**1 Claim, 13 Drawing Sheets**

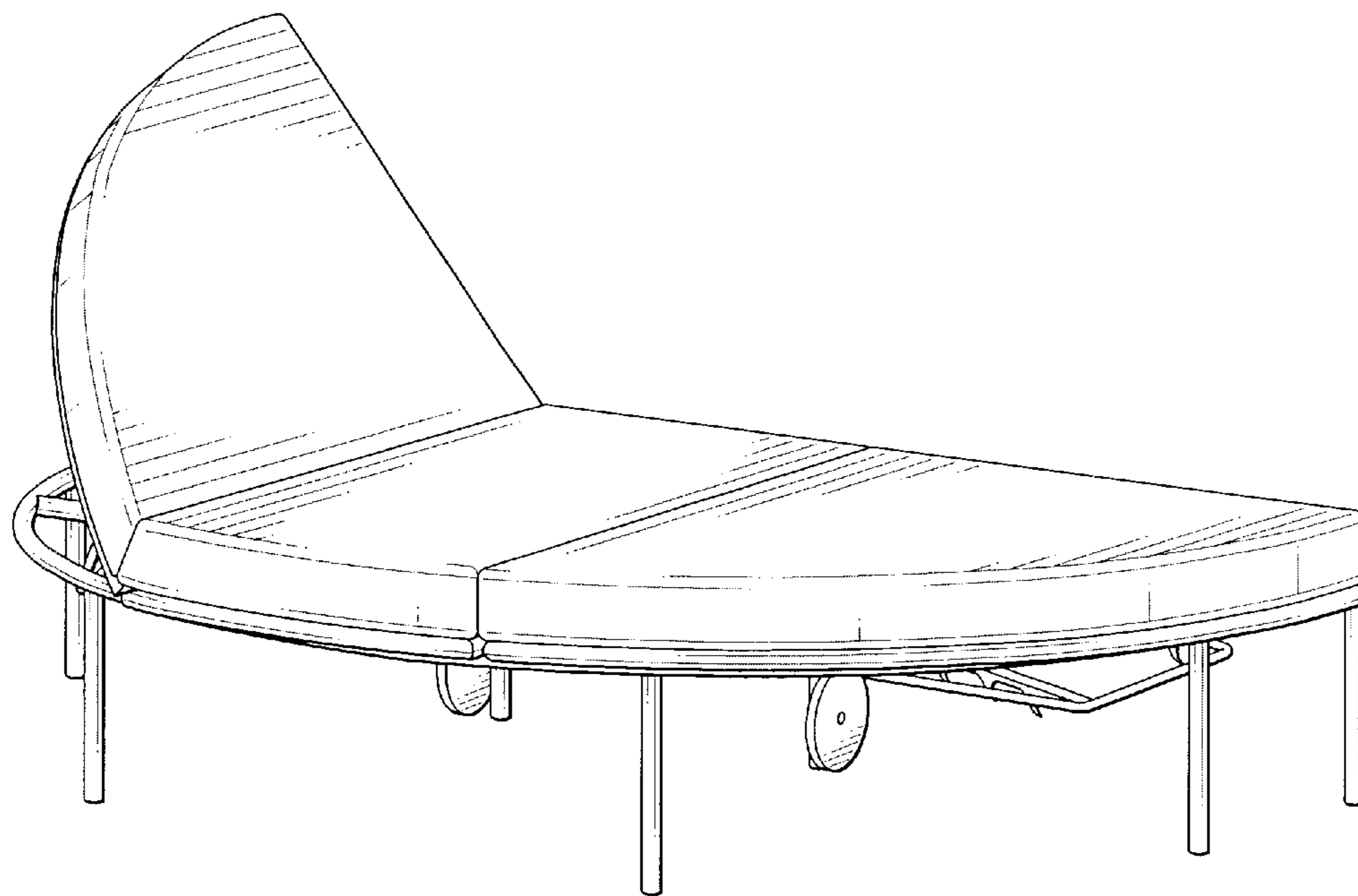


FIG. 1

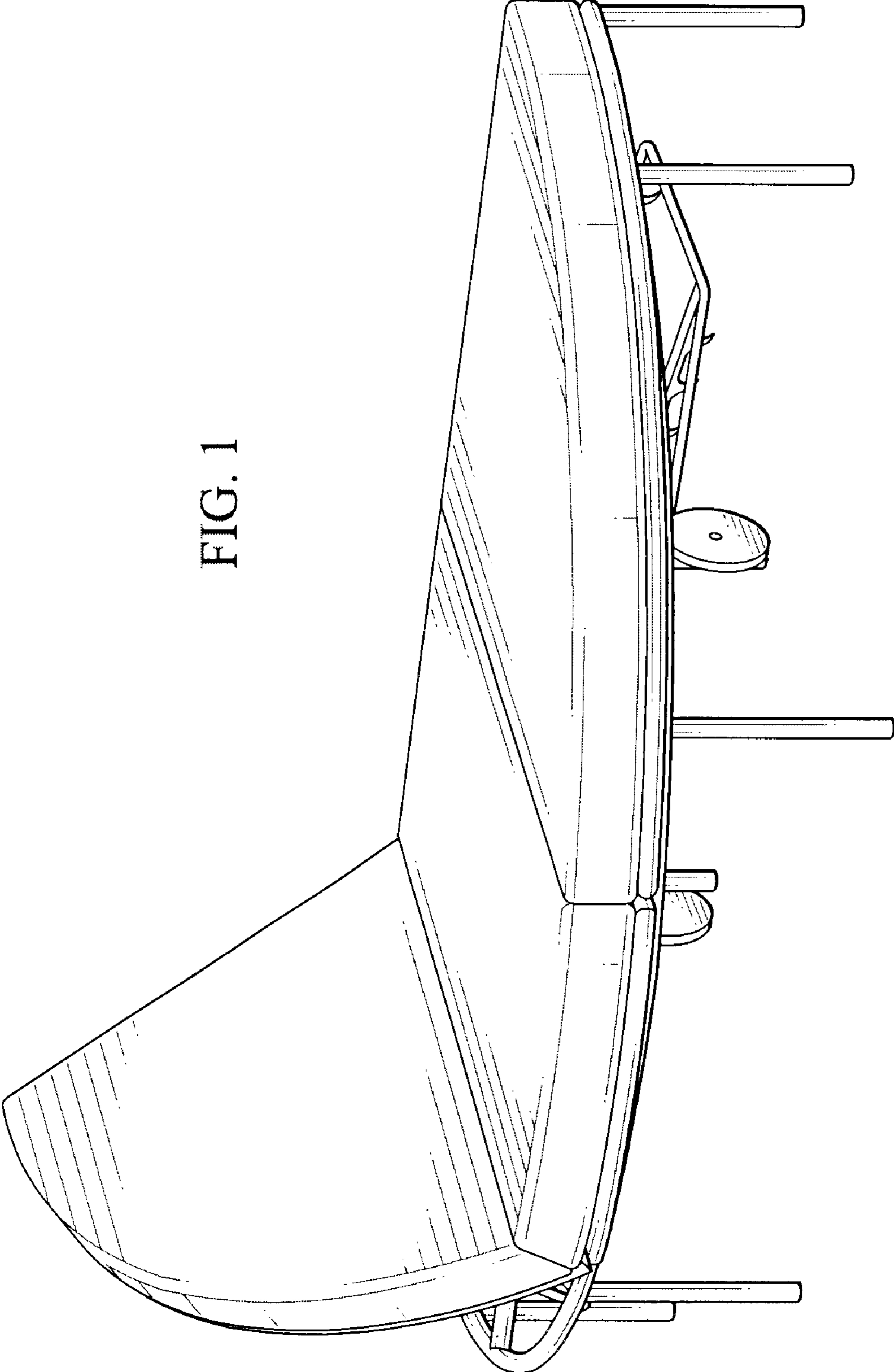
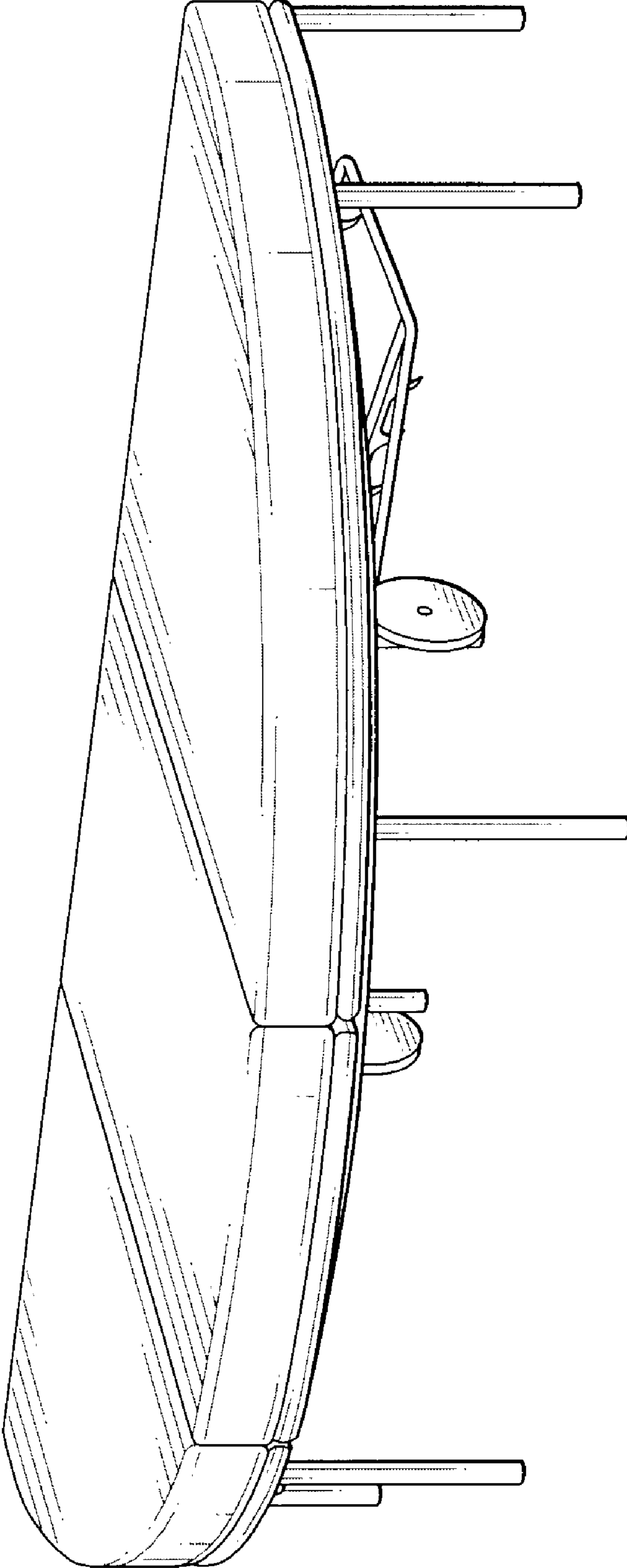


FIG. 2



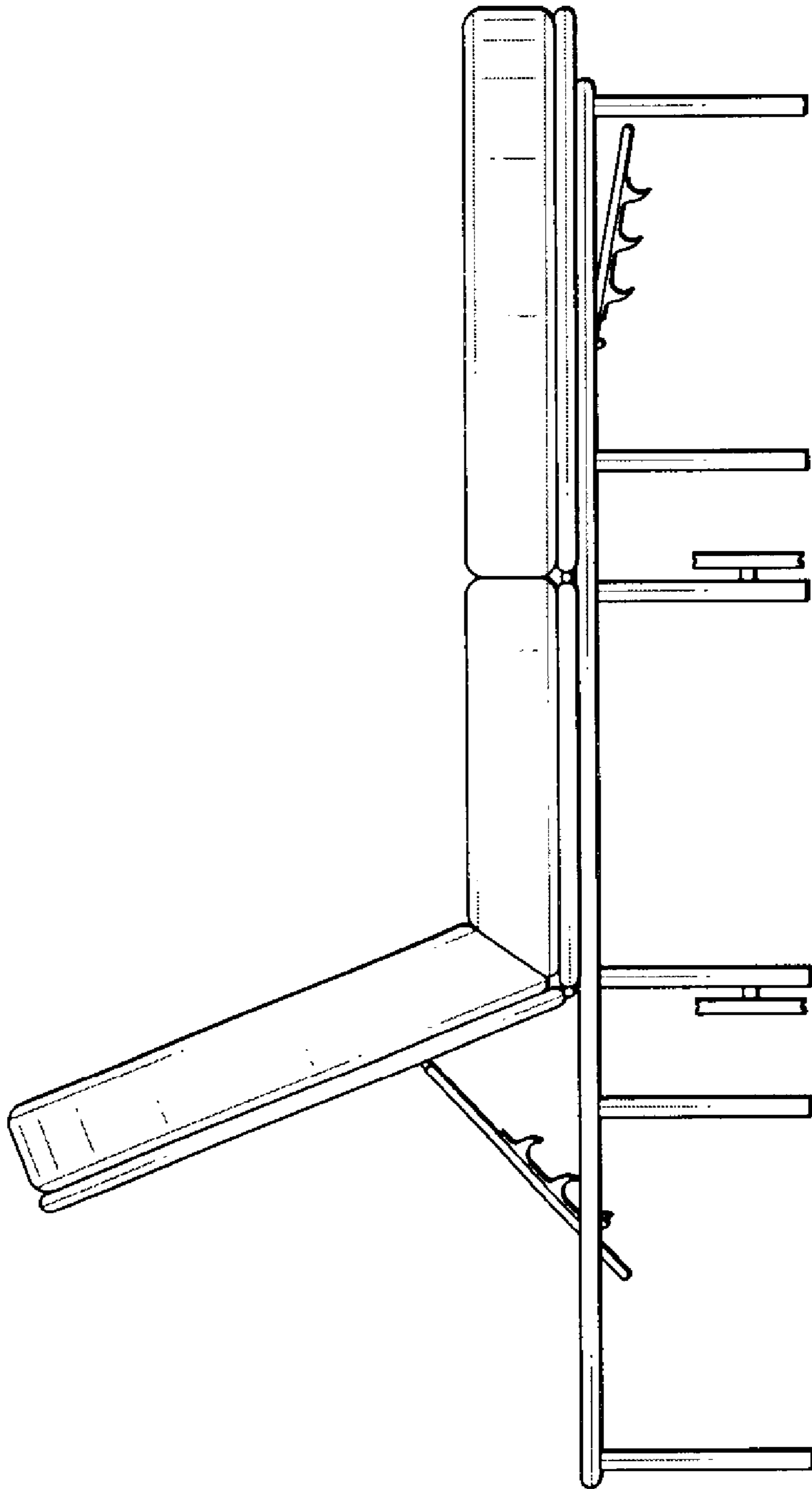


FIG. 3

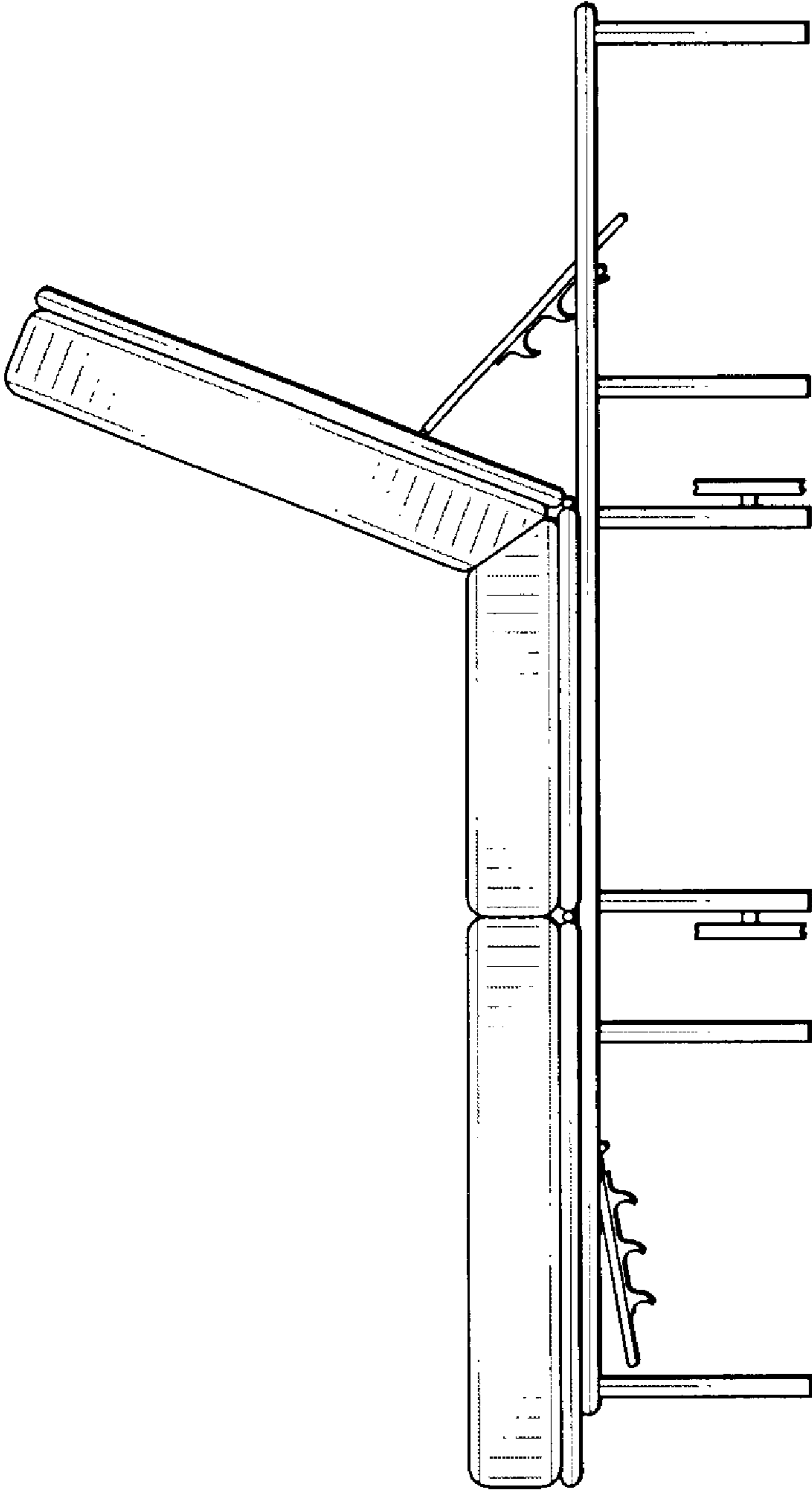


FIG. 4

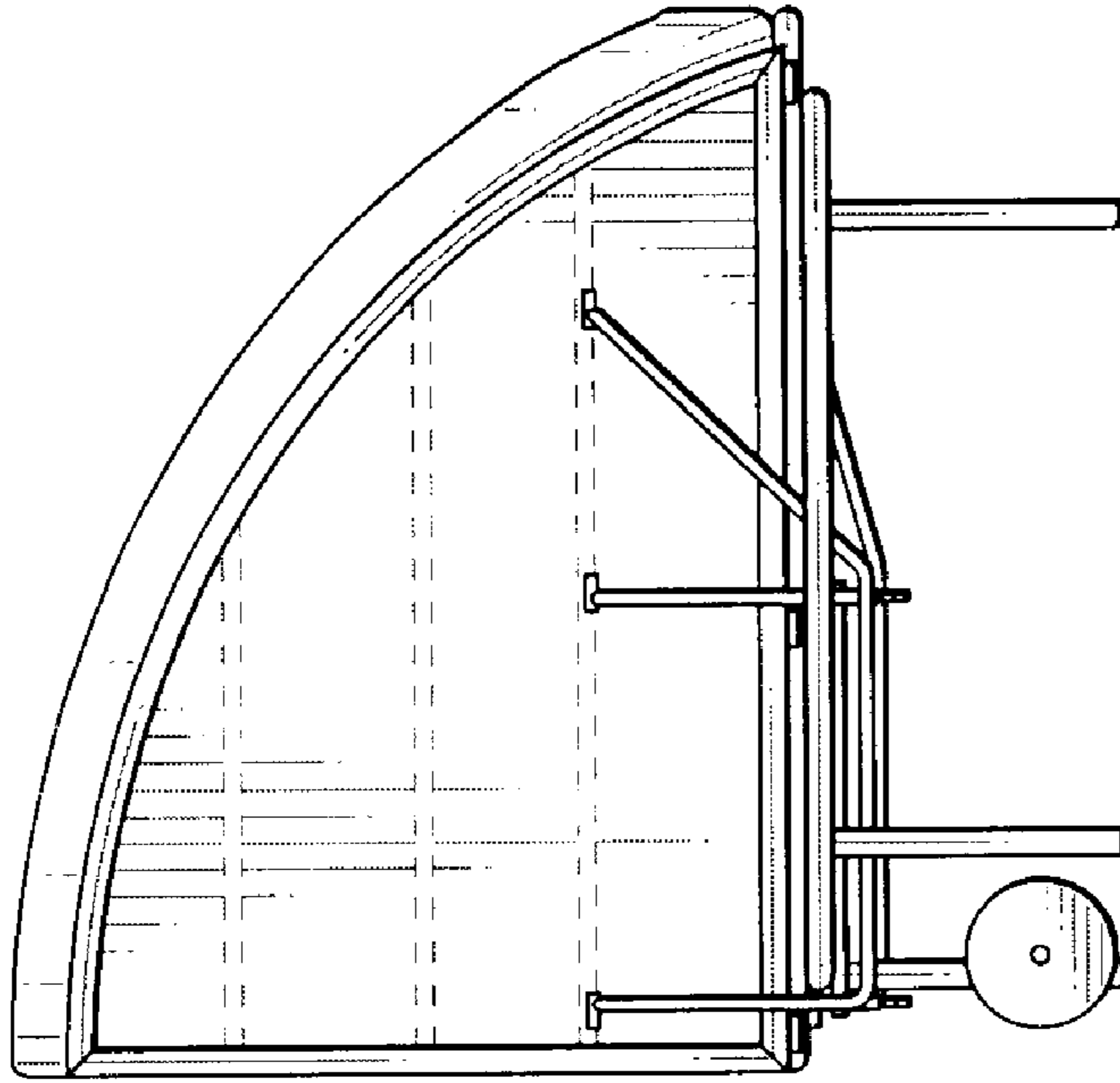


FIG. 5

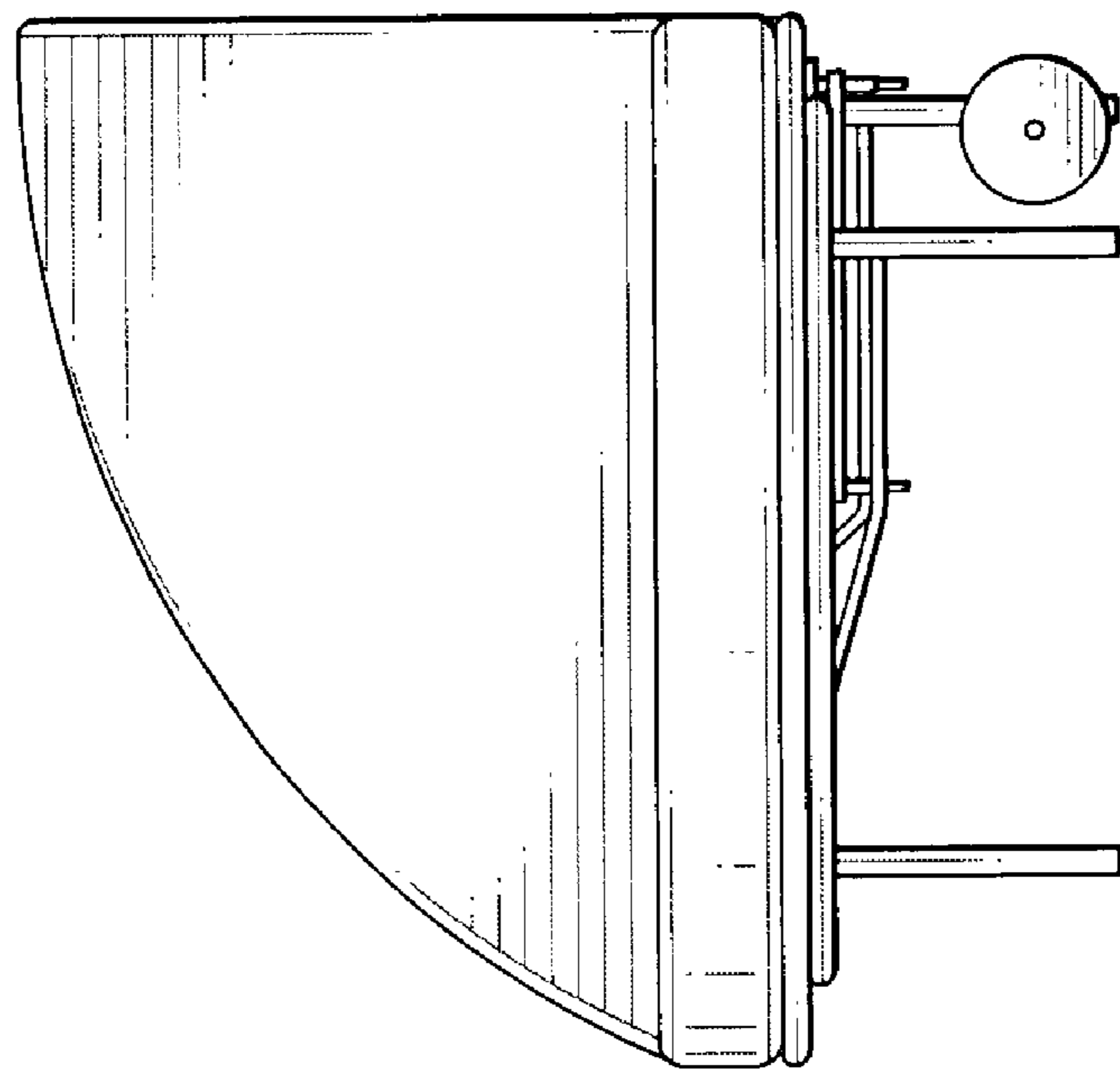
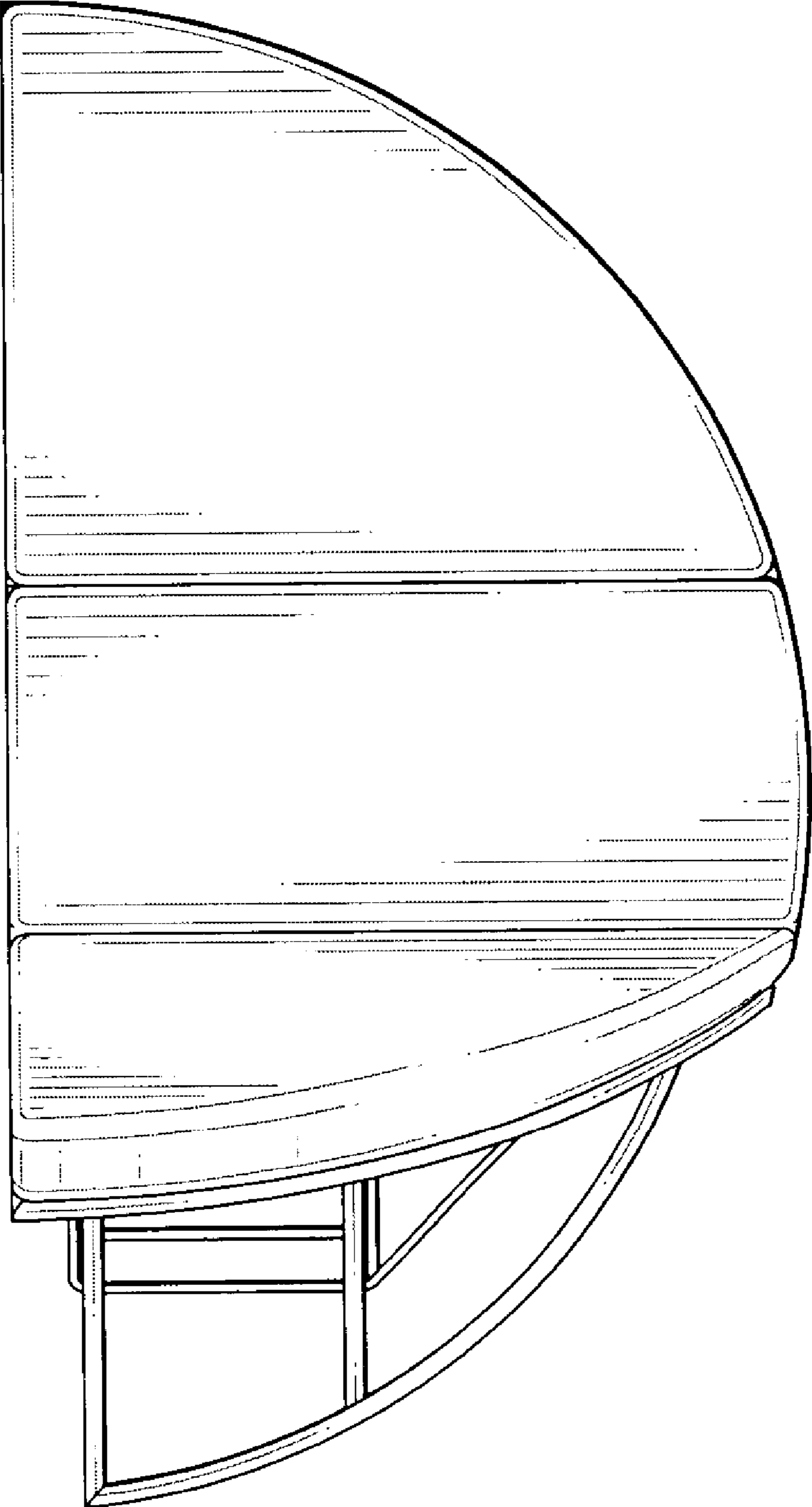


FIG. 6

FIG. 7



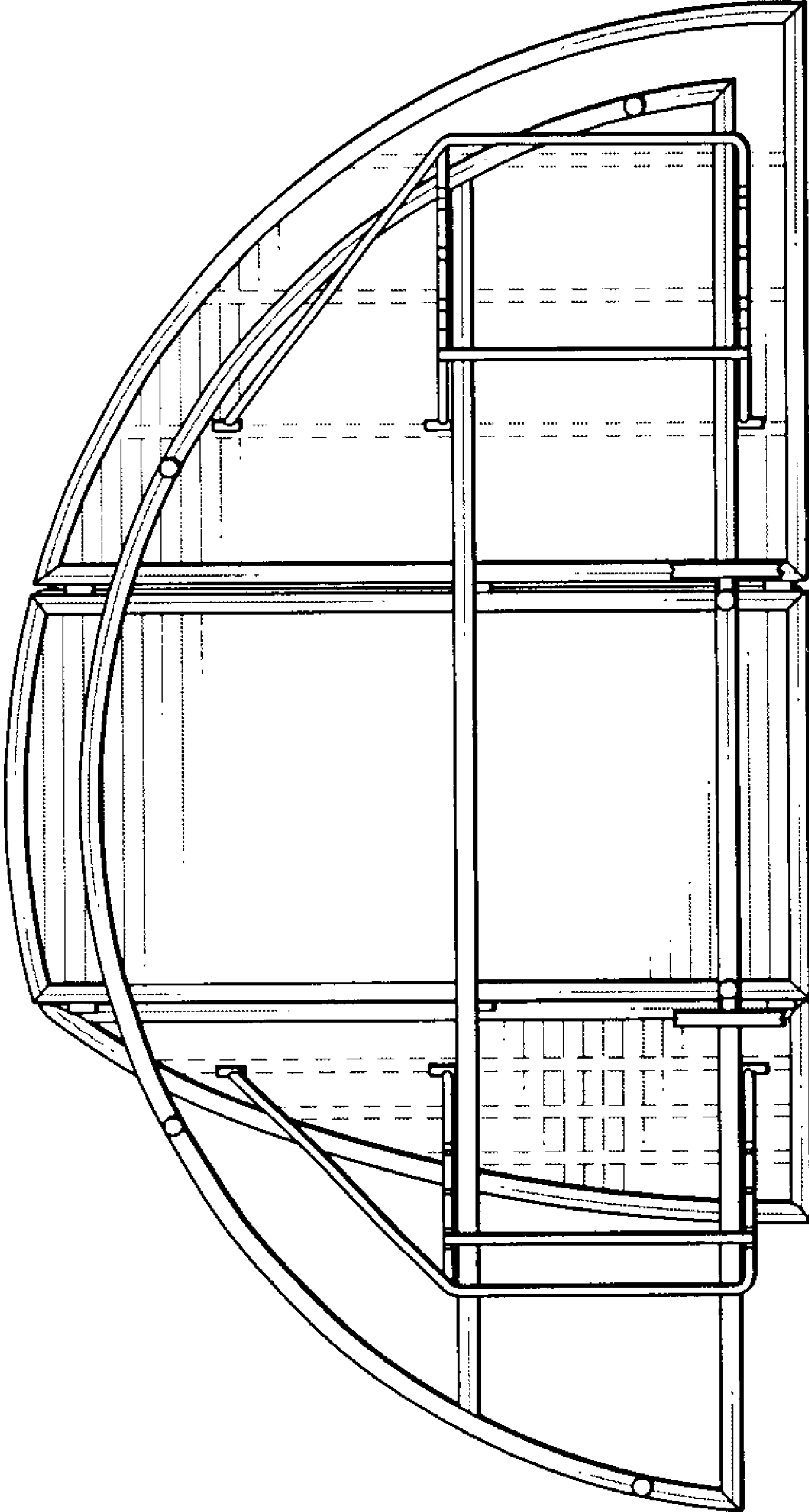


FIG. 8



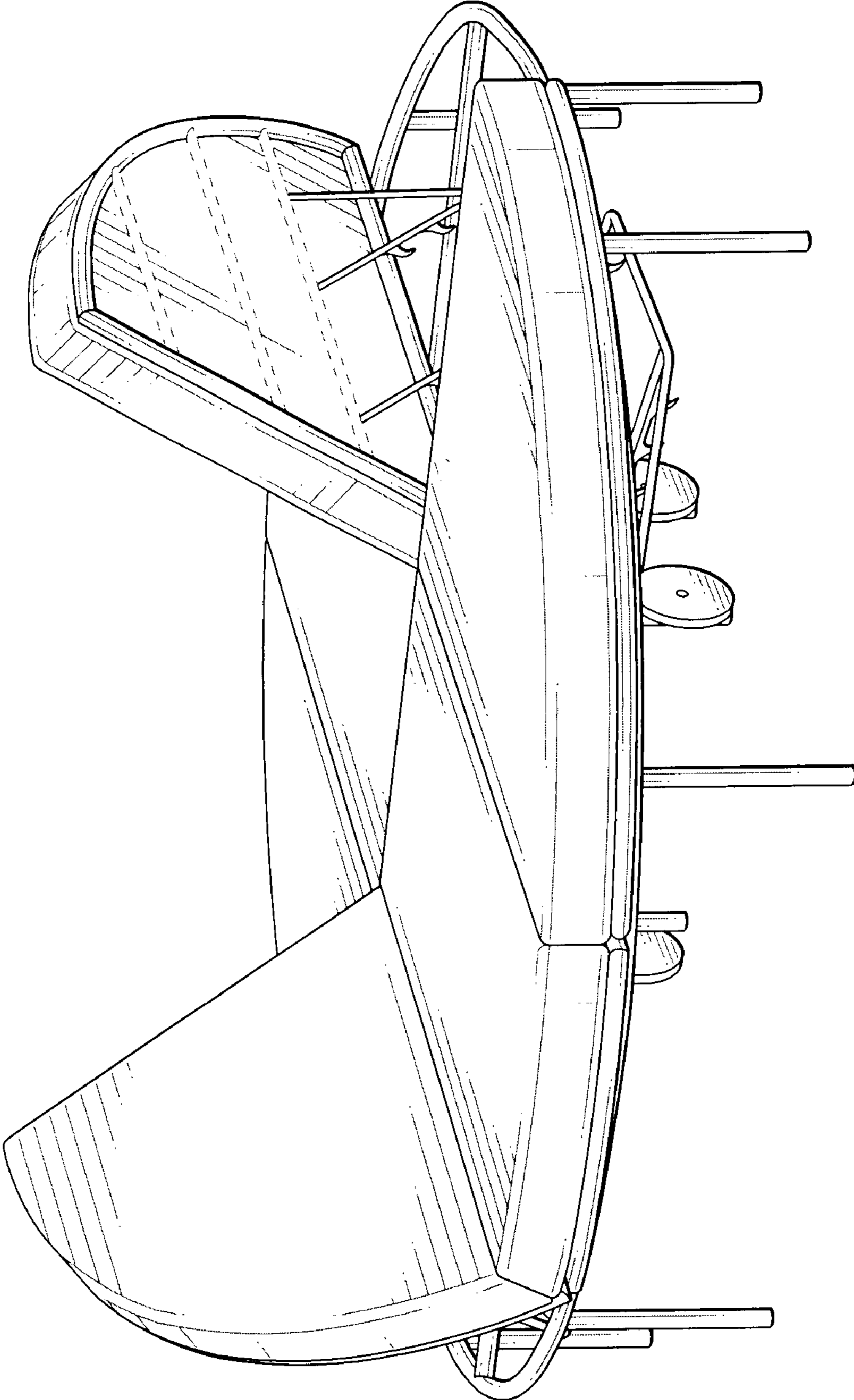
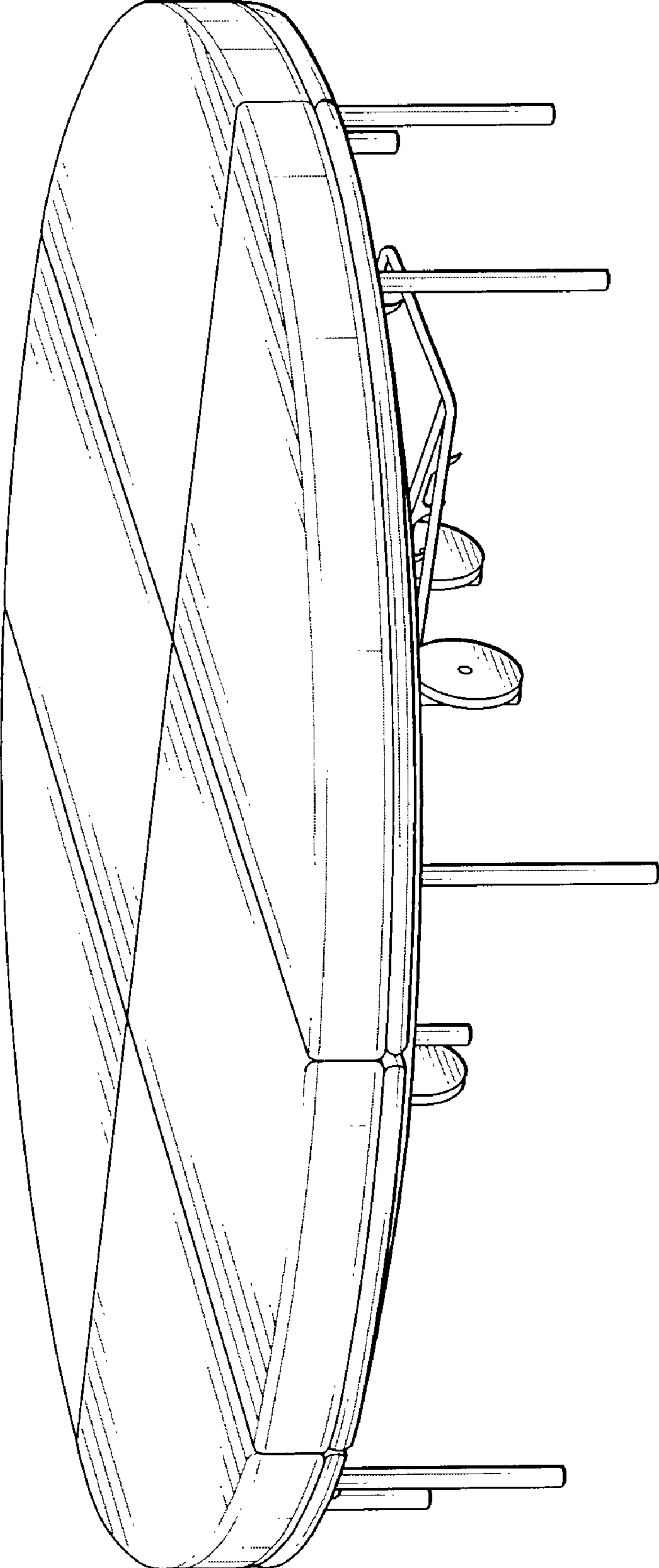


FIG. 9

FIG. 10



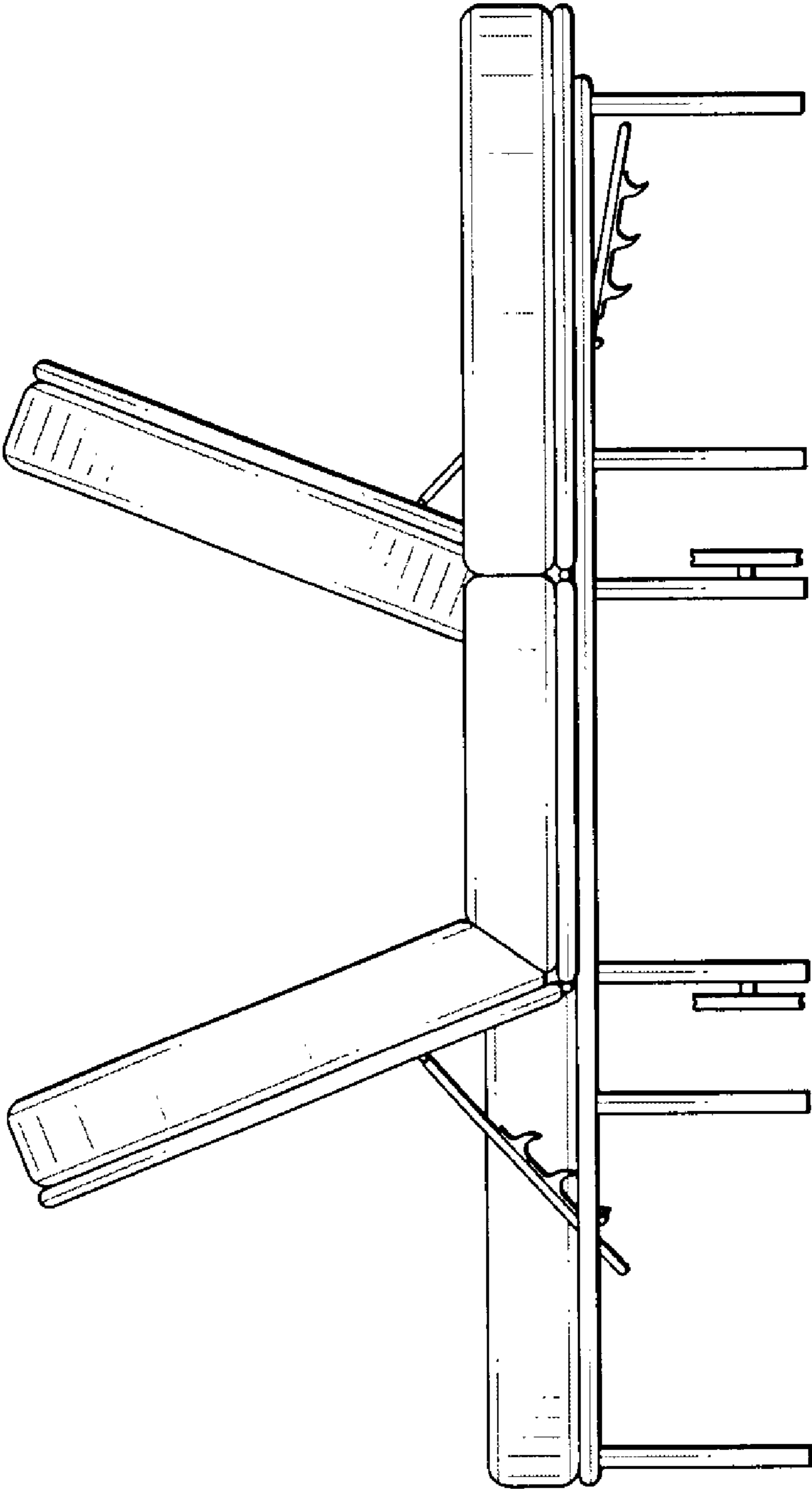


FIG. 11

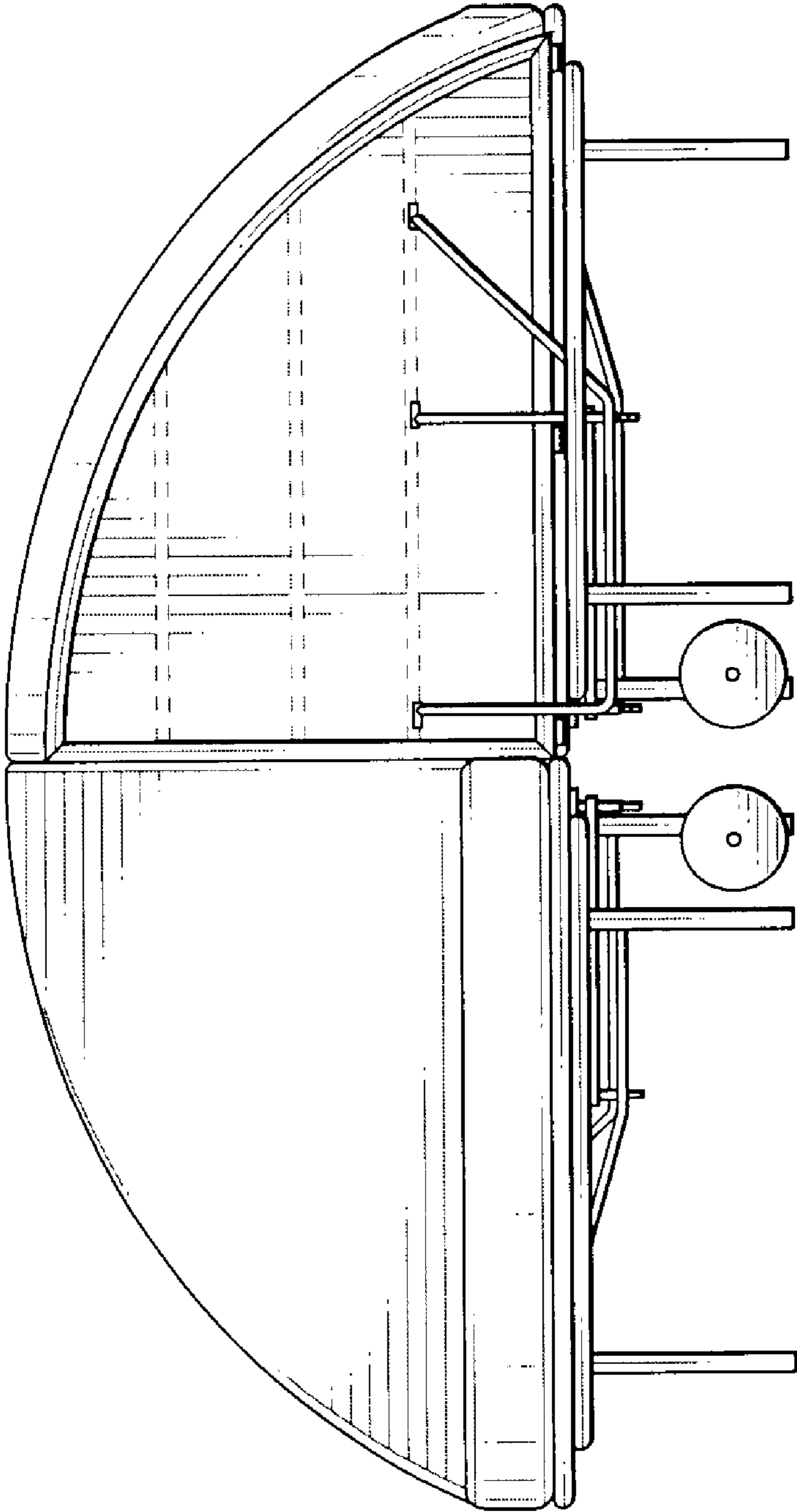


FIG. 12

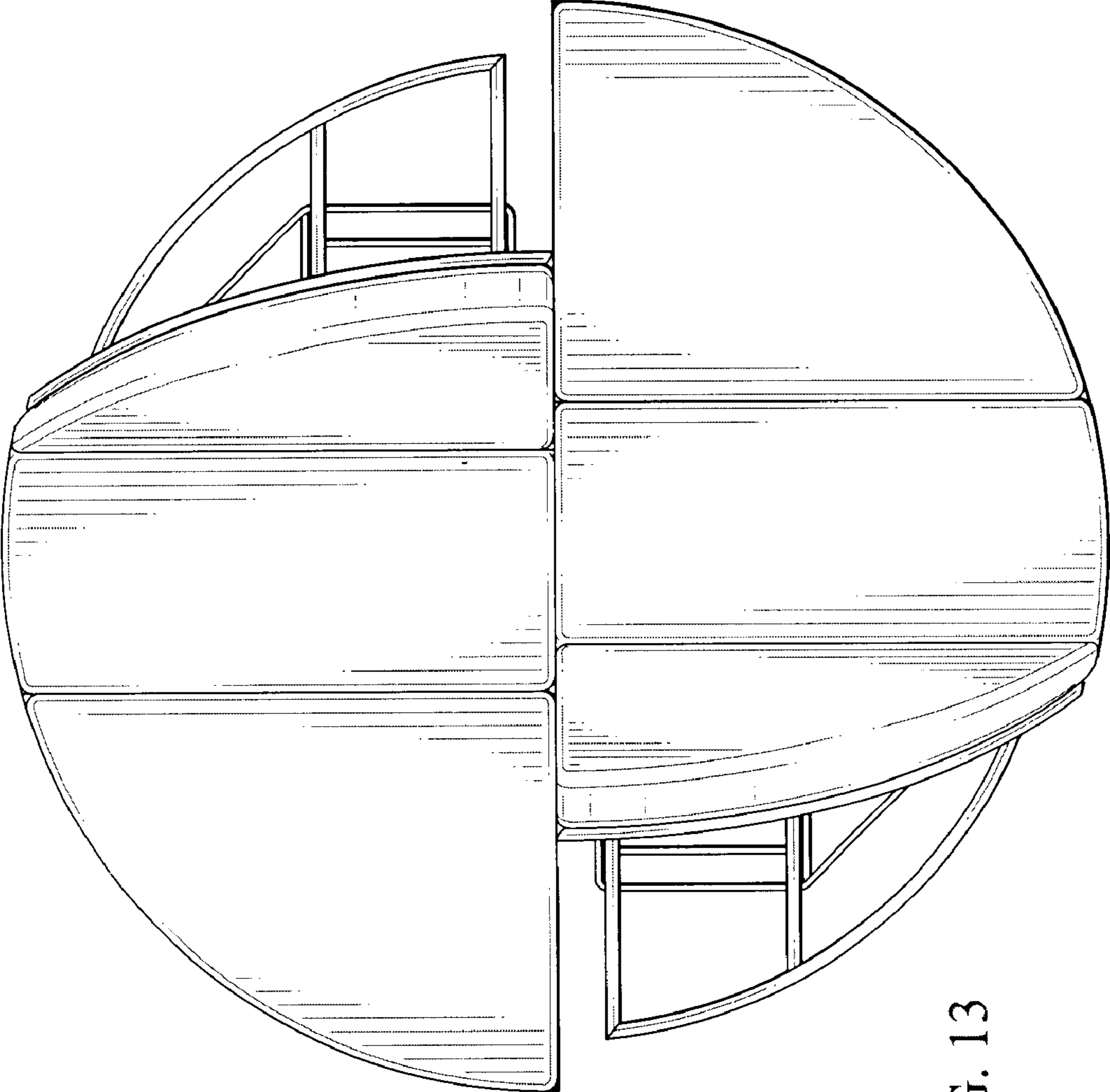


FIG. 13

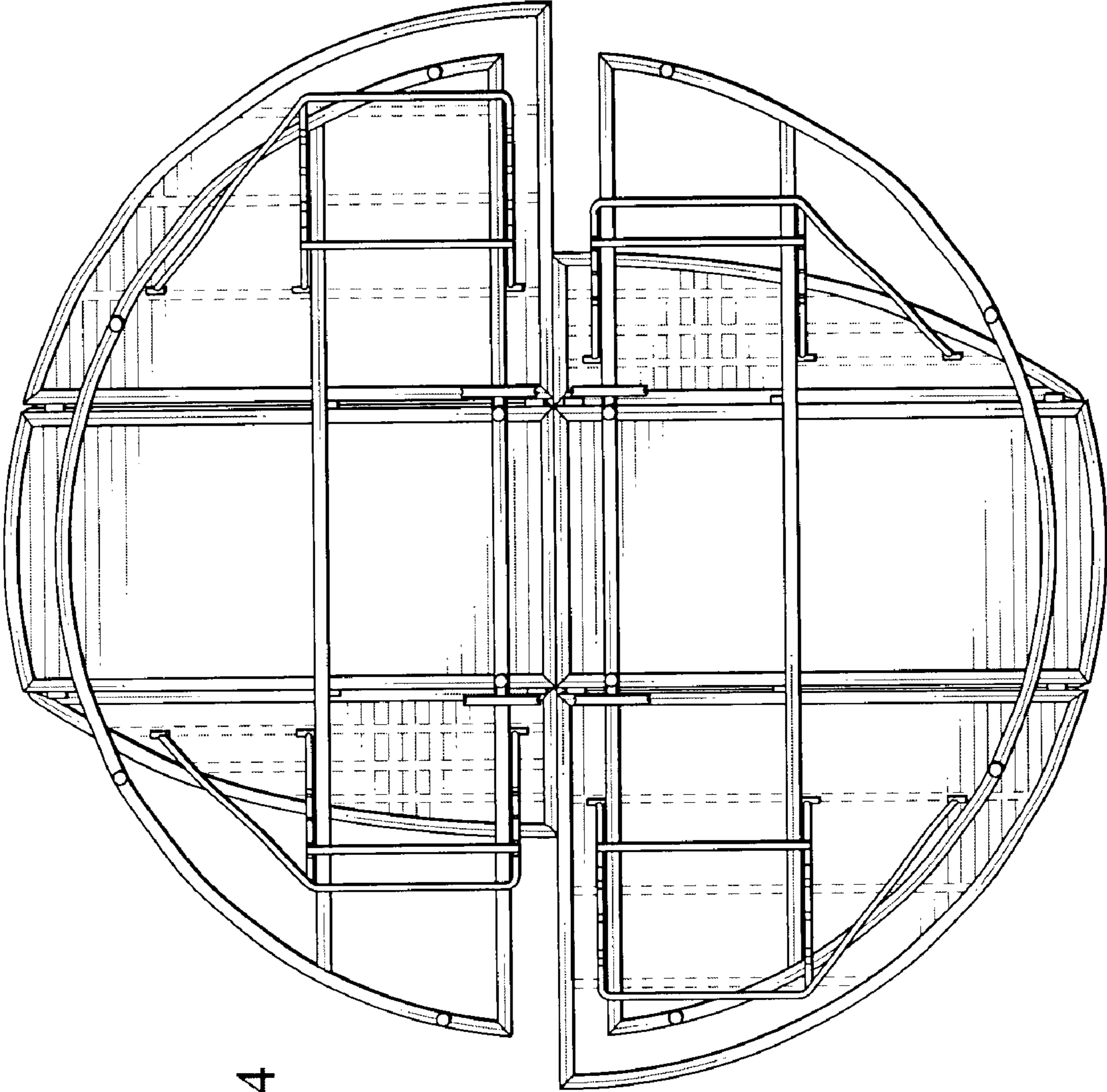


FIG. 14