

US00D509669S

(12) **United States Design Patent**
Krebs

(10) **Patent No.:** **US D509,669 S**

(45) **Date of Patent:** **** Sep. 20, 2005**

(54) **ACCESSORY RAIL**

(76) **Inventor:** **Marc K. Krebs**, 1000 Rand Rd., Unit 106, Wauconda, IL (US) 60084

(**) **Term:** **14 Years**

(21) **Appl. No.:** **29/200,233**

(22) **Filed:** **Feb. 24, 2004**

(51) **LOC (8) Cl.** **06-08**

(52) **U.S. Cl.** **D6/315**

(58) **Field of Search** D6/315, 320, 328, D6/553, 567; D13/123; 211/13.1, 60.1, 71.1, 87.1, 94.1, 96, 85.3, 1

(56) **References Cited**

U.S. PATENT DOCUMENTS

D209,521 S	*	12/1967	Penland	D6/320
4,828,121 A	*	5/1989	Willcocks, Jr.	211/94.01
D340,610 S	*	10/1993	Hubbard	D6/567
D398,160 S	*	9/1998	Umbarger	D6/320

D442,814 S	*	5/2001	Sterling et al.	D6/553
D444,954 S	*	7/2001	Umbarger	D6/320
D468,262 S	*	1/2003	Lee	D13/123

* cited by examiner

Primary Examiner—Stella Reid

Assistant Examiner—Shanda C. Hill

(74) *Attorney, Agent, or Firm*—Richard L. Mikesell

(57) **CLAIM**

The design for an accessory rail, as shown and described.

DESCRIPTION

FIG. 1 is a top left perspective view on an accessory rail showing my new design;

FIG. 2 is a left side elevation view thereof, the right side being a mirror image thereto;

FIG. 3 is a bottom plan view thereof;

FIG. 4 is a front elevation view thereof; and,

FIG. 5 is a rear elevation view thereof.

1 Claim, 2 Drawing Sheets

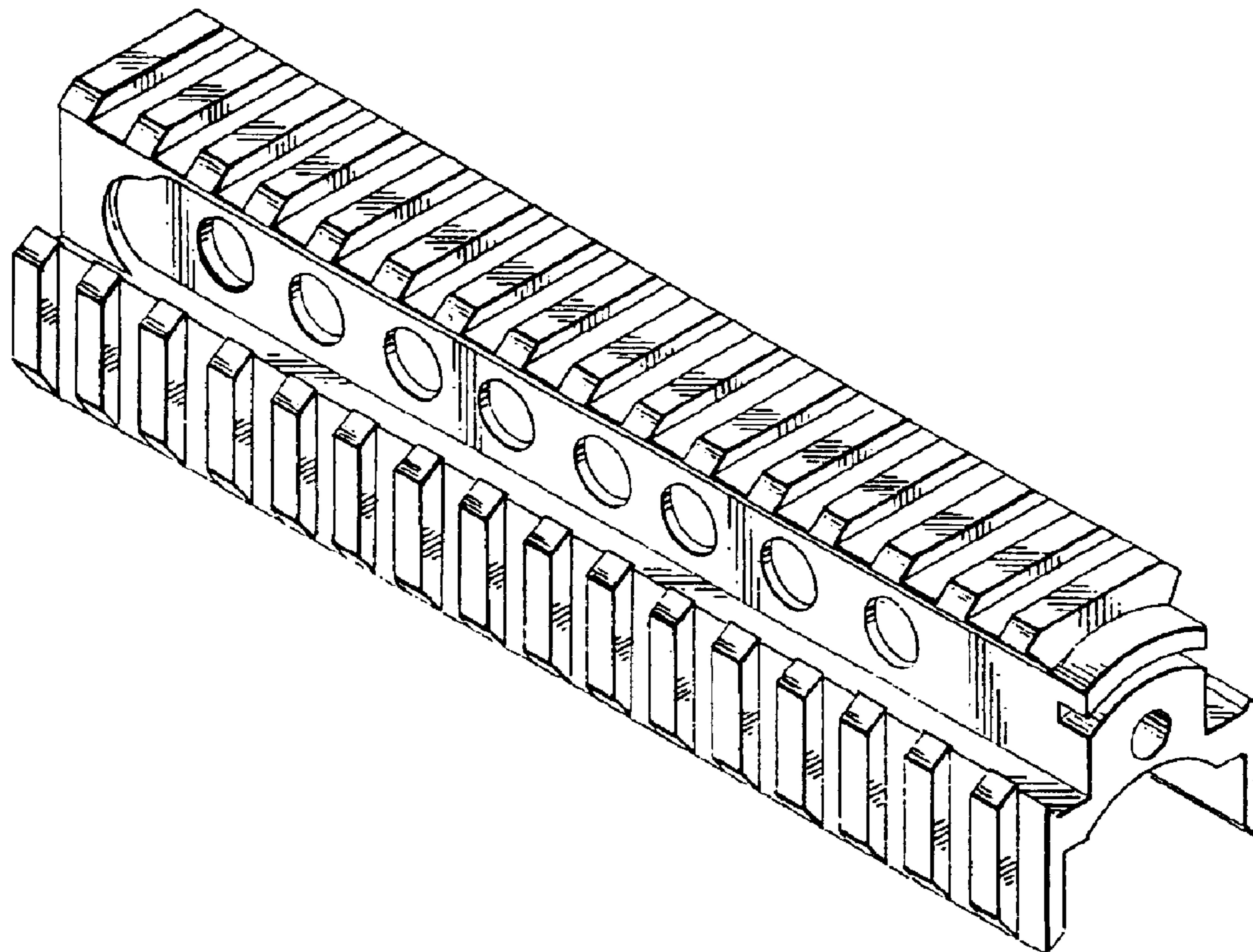


FIG. 1

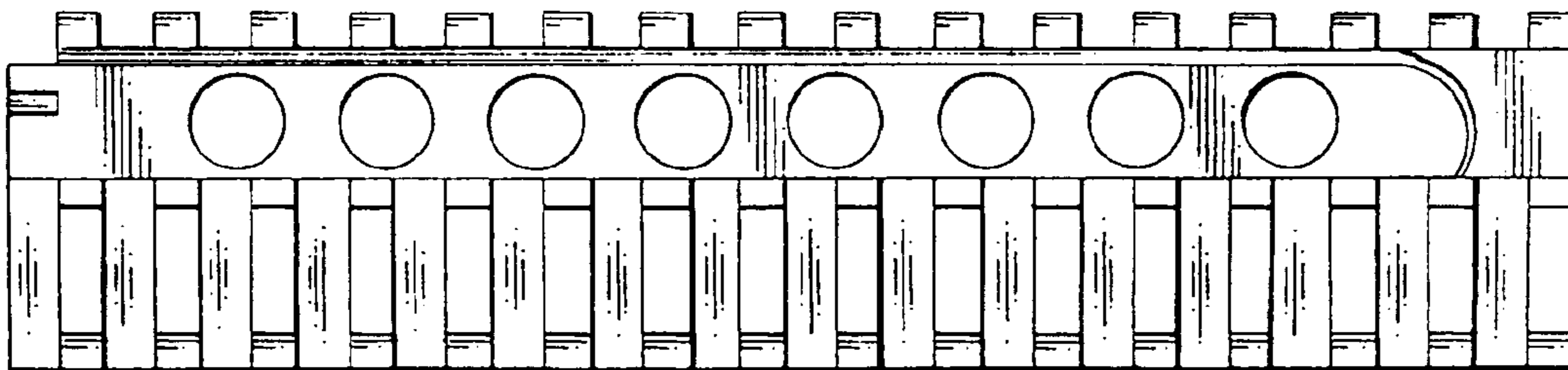
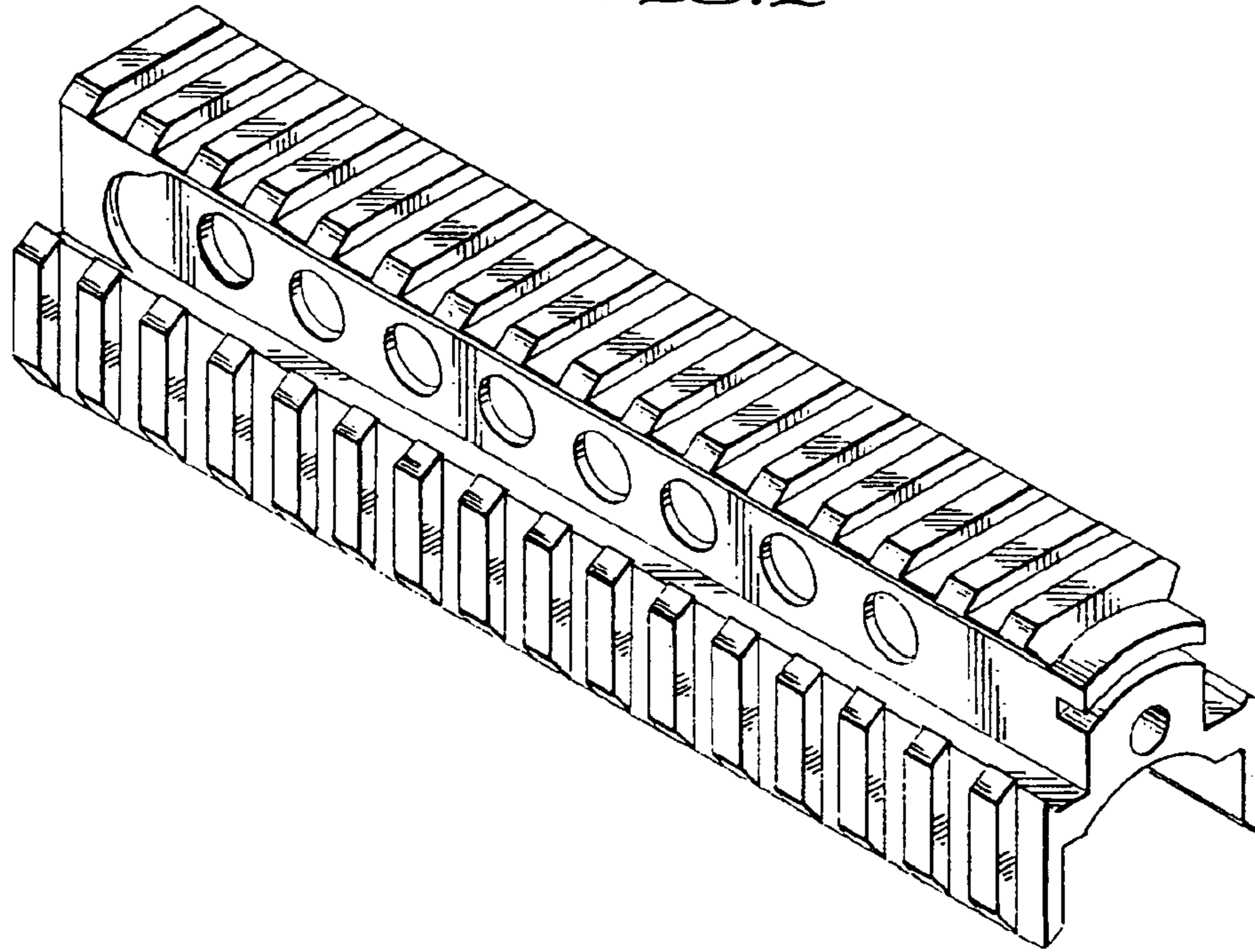


FIG. 2

FIG. 3

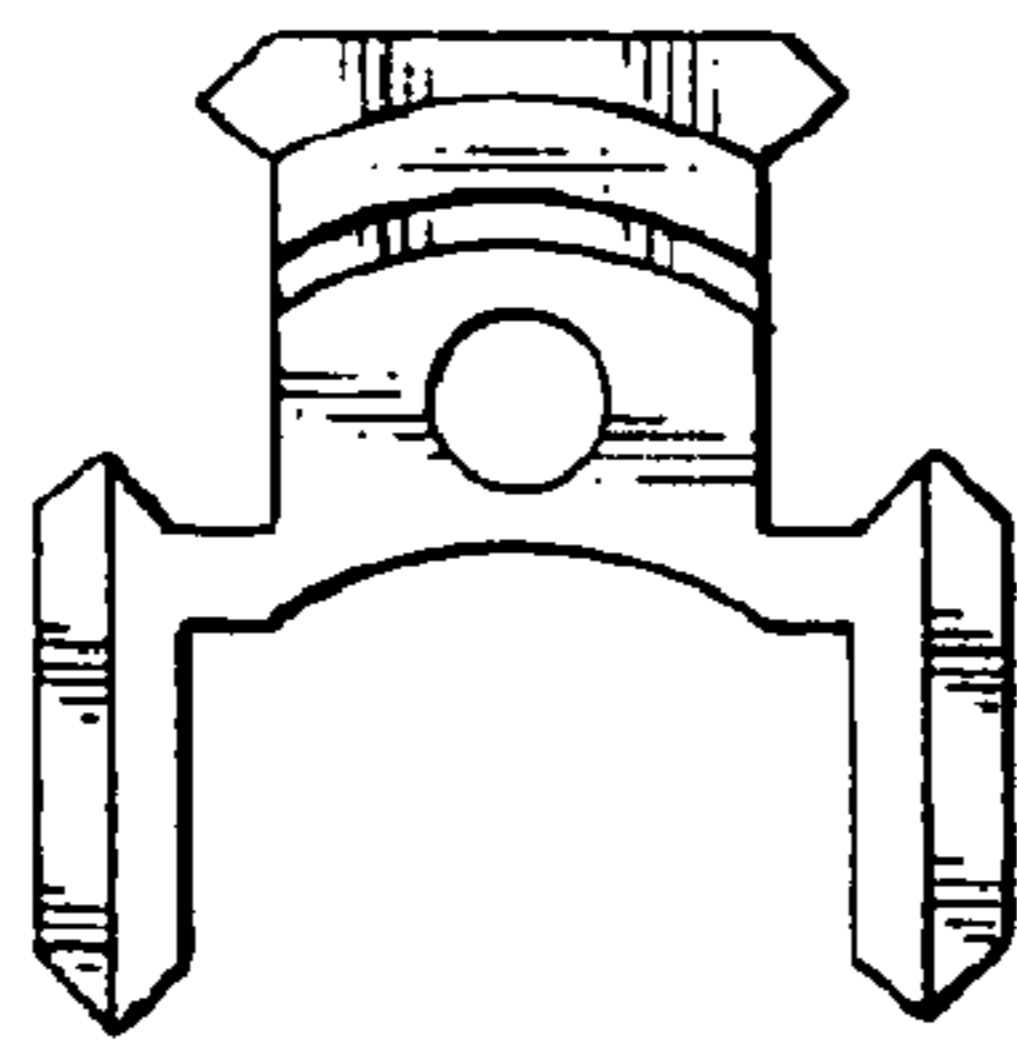
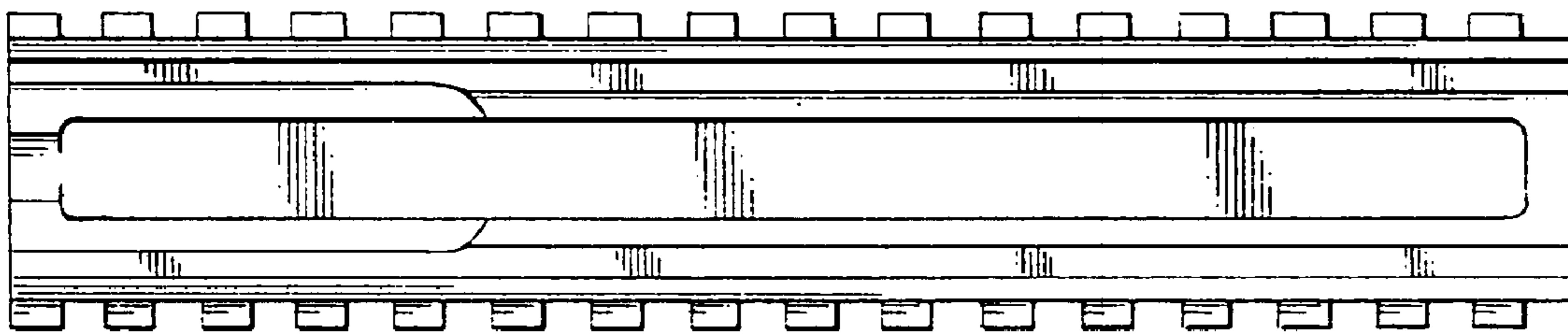


FIG. 4

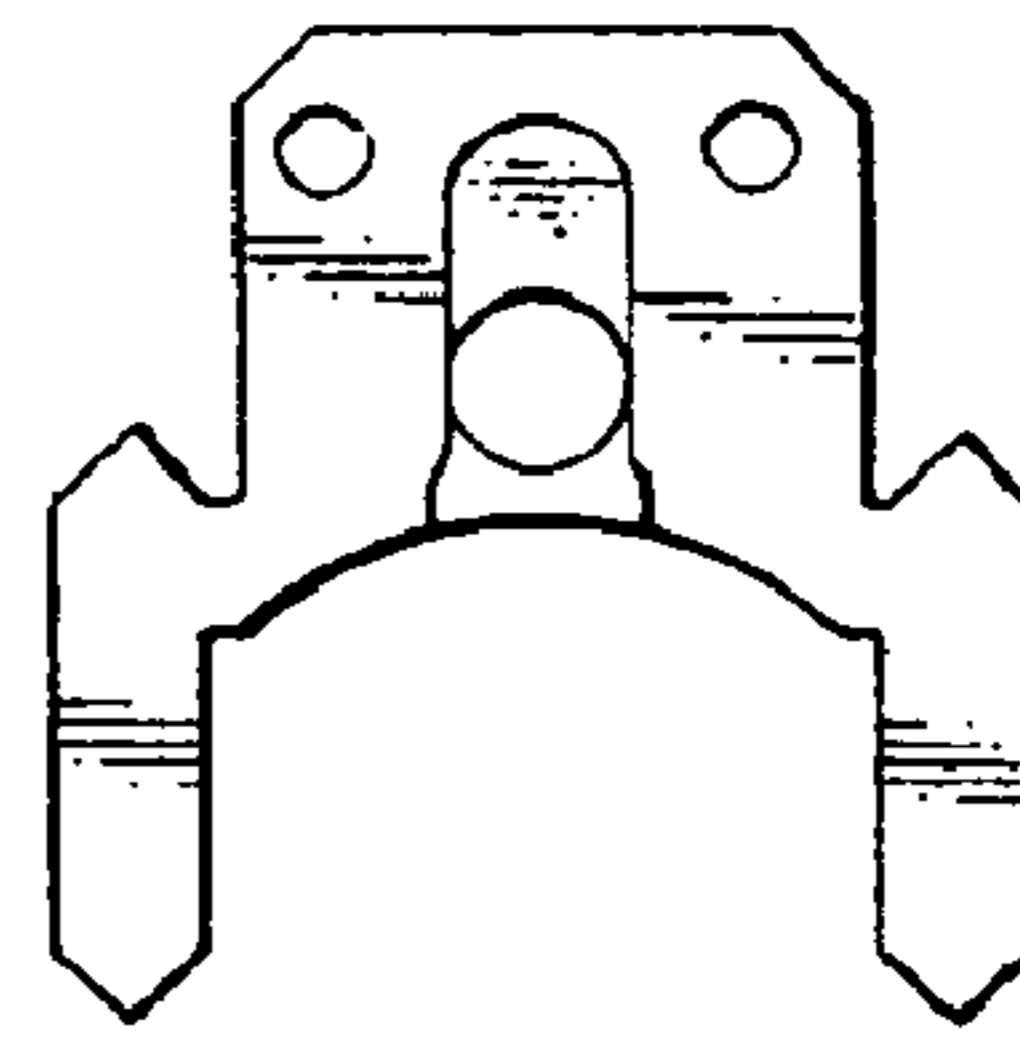


FIG. 5