

US00D509668S

(12) **United States Design Patent**  
**Timmer**

(10) **Patent No.:** **US D509,668 S**

(45) **Date of Patent:** **\*\* Sep. 20, 2005**

(54) **DISPLAY FRAME**

(76) **Inventor:** **Dana W. Timmer**, Wattmannngasse #10,  
Vienna (AT)

(\*\*) **Term:** **14 Years**

(21) **Appl. No.:** **29/207,249**

(22) **Filed:** **Jun. 10, 2004**

(51) **LOC (8) Cl.** ..... **06-07**

(52) **U.S. Cl.** ..... **D6/309**

(58) **Field of Search** ..... D6/300-314, 444;  
248/466-467; 40/700, 711, 714, 715, 716,  
719, 720-722, 735, 738, 744, 745, 754,  
765, 768, 769, 790, 798, 597; 359/838,  
871, 872; D11/131, 133, 134, 135; D20/29-32,  
10

(56) **References Cited**

**U.S. PATENT DOCUMENTS**

2,137,286 A \* 11/1938 Herbig ..... 248/466  
5,240,220 A \* 8/1993 Elberbaum ..... 248/558

D392,110 S \* 3/1998 Tsui ..... D6/309  
D392,805 S \* 3/1998 Petersen Whitcomb ..... D6/309  
6,574,897 B1 \* 6/2003 Timmer ..... 40/800

\* cited by examiner

*Primary Examiner*—Janice E. Seeger  
*Assistant Examiner*—Sydney R. Buffalow

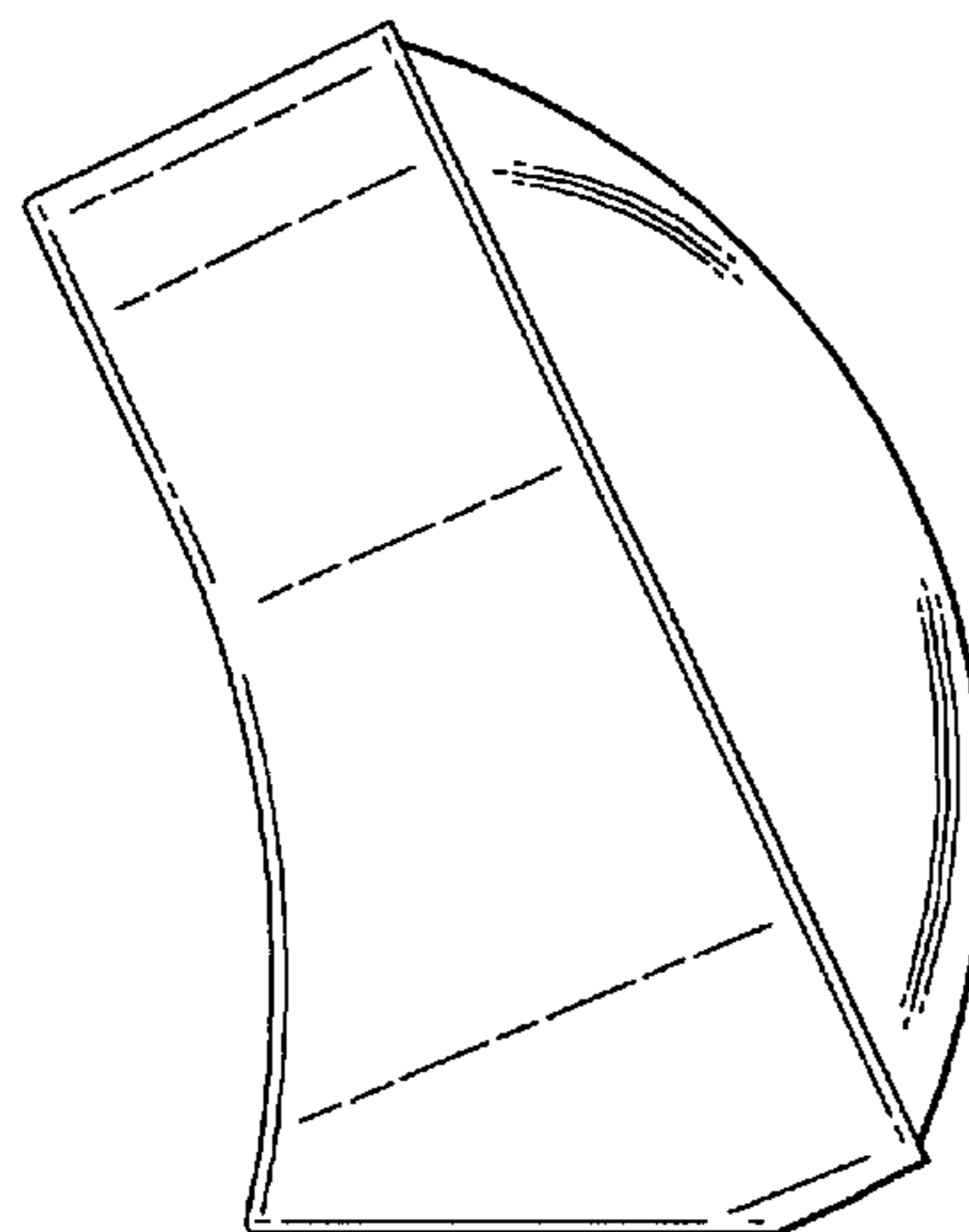
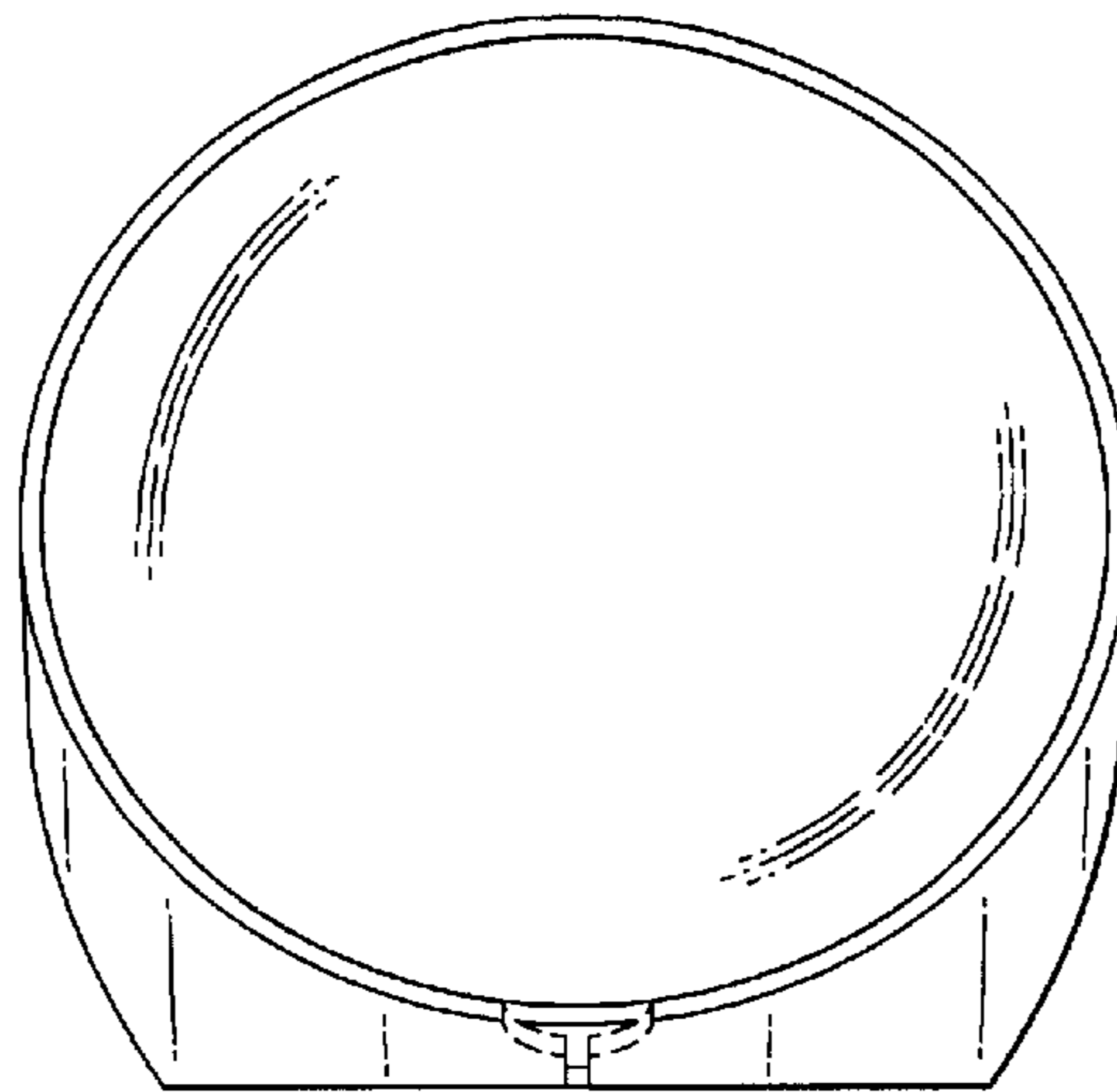
(57) **CLAIM**

The ornamental design for a display frame, as shown and described.

**DESCRIPTION**

FIG. 1 is a front perspective view of the display frame;  
FIG. 2 is a front elevational view of the display frame;  
FIG. 3 is a back elevational view of the display frame;  
FIG. 4 is a left side elevational view of the display frame;  
FIG. 5 is a top plan view of the display frame; and,  
FIG. 6 is a bottom plan view of the display frame.  
The broken line is for illustrative purposes only and forms  
no part of the claimed design.

**1 Claim, 3 Drawing Sheets**



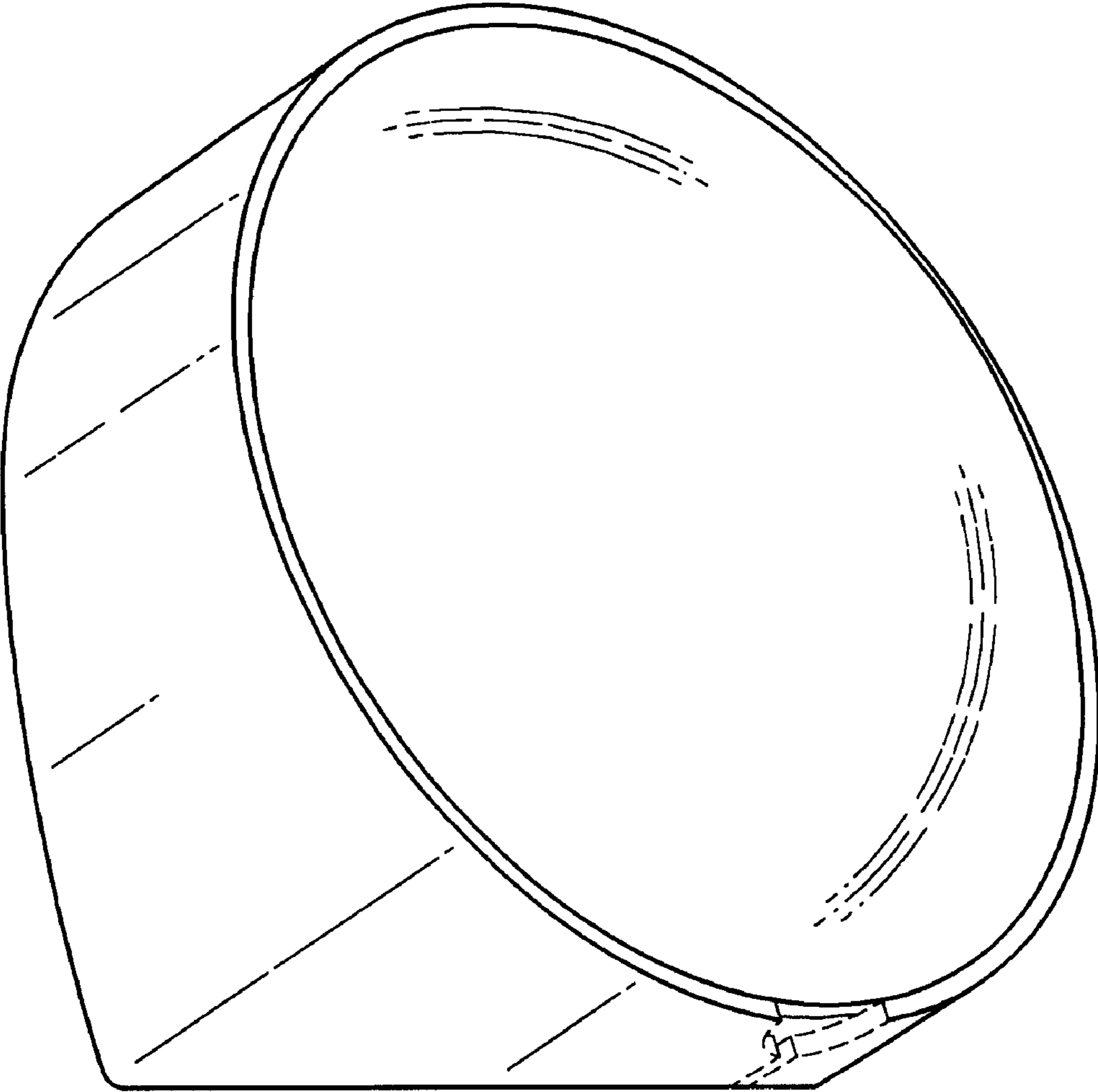


FIG. 1

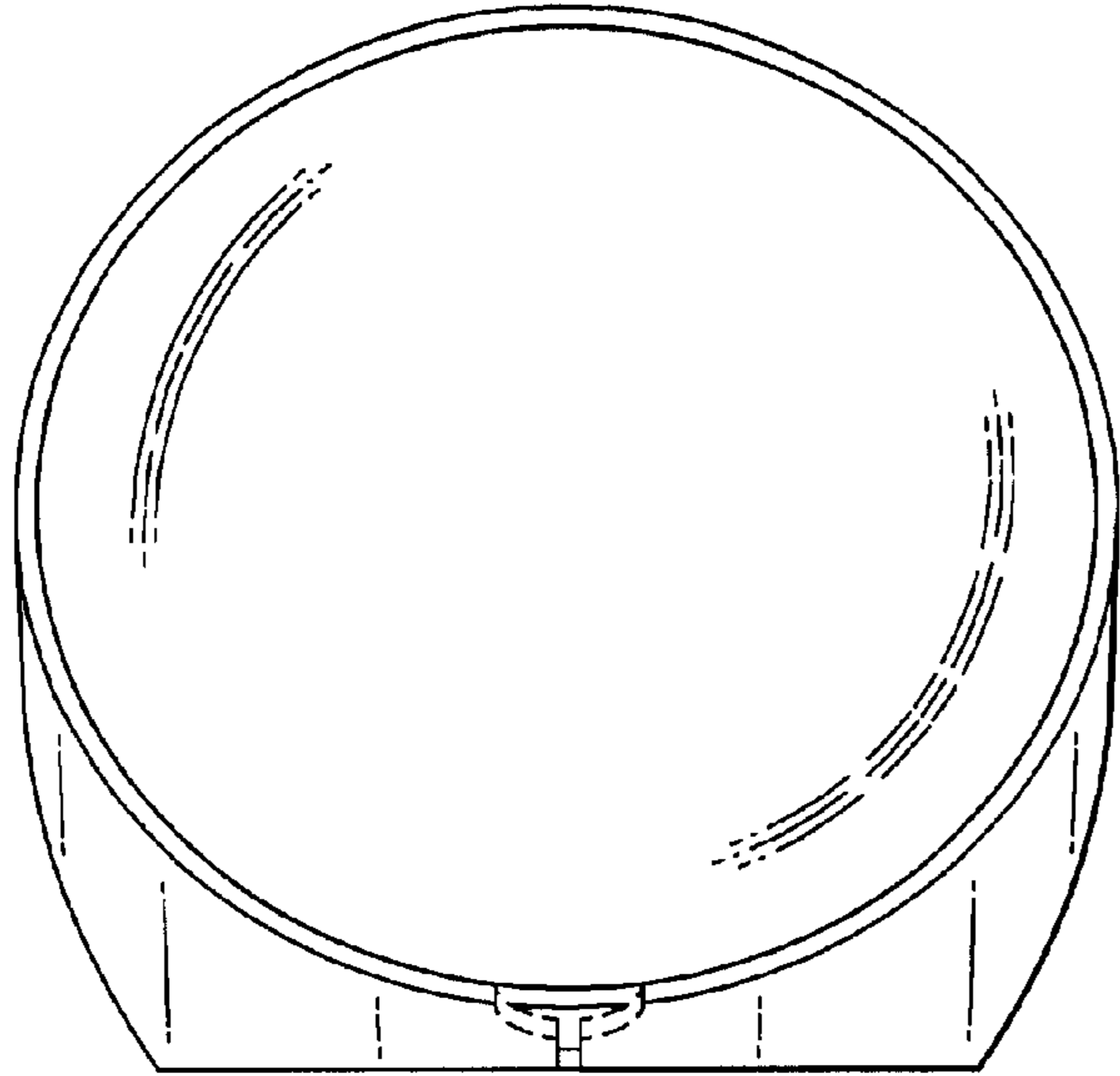


FIG. 2

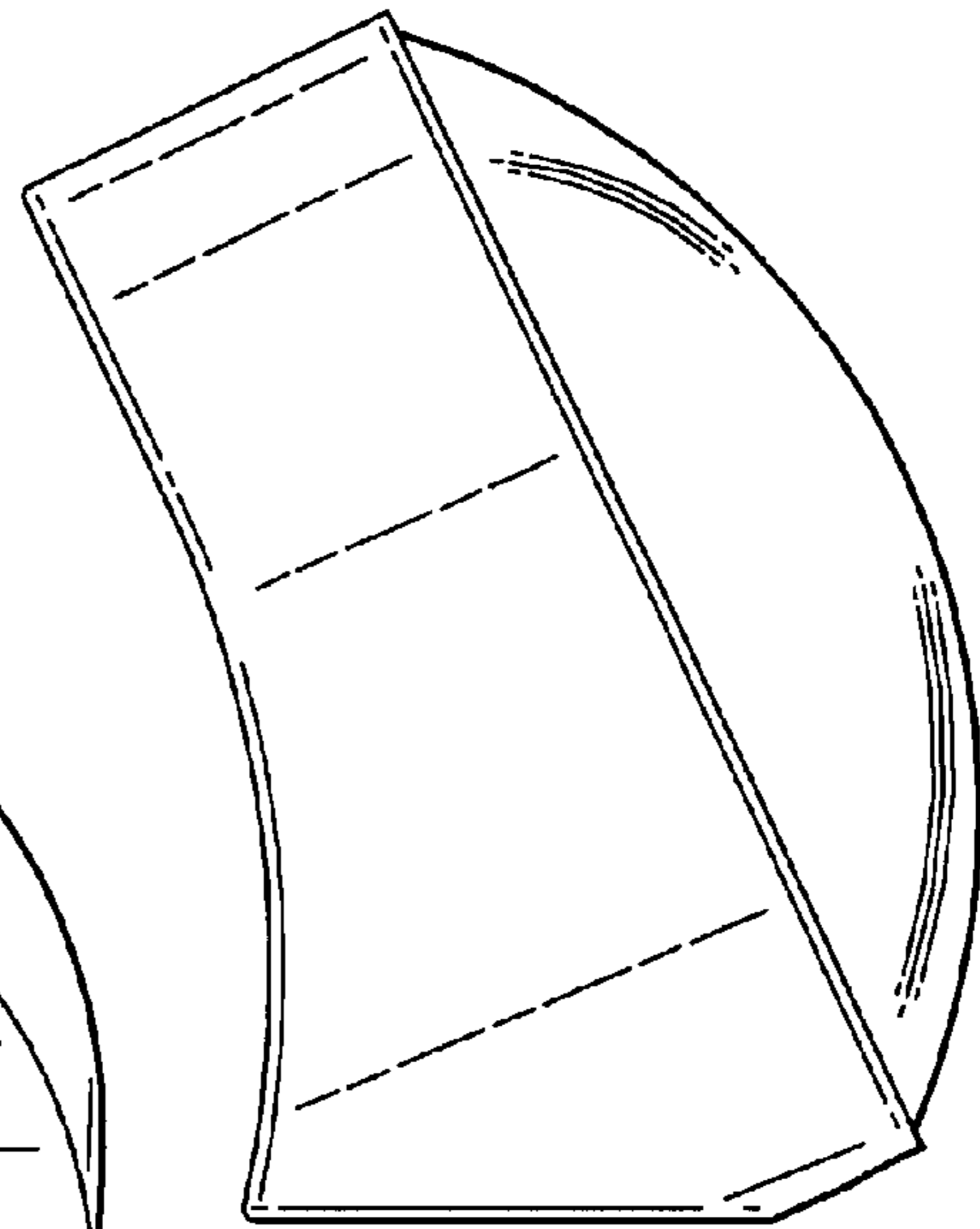


FIG. 4

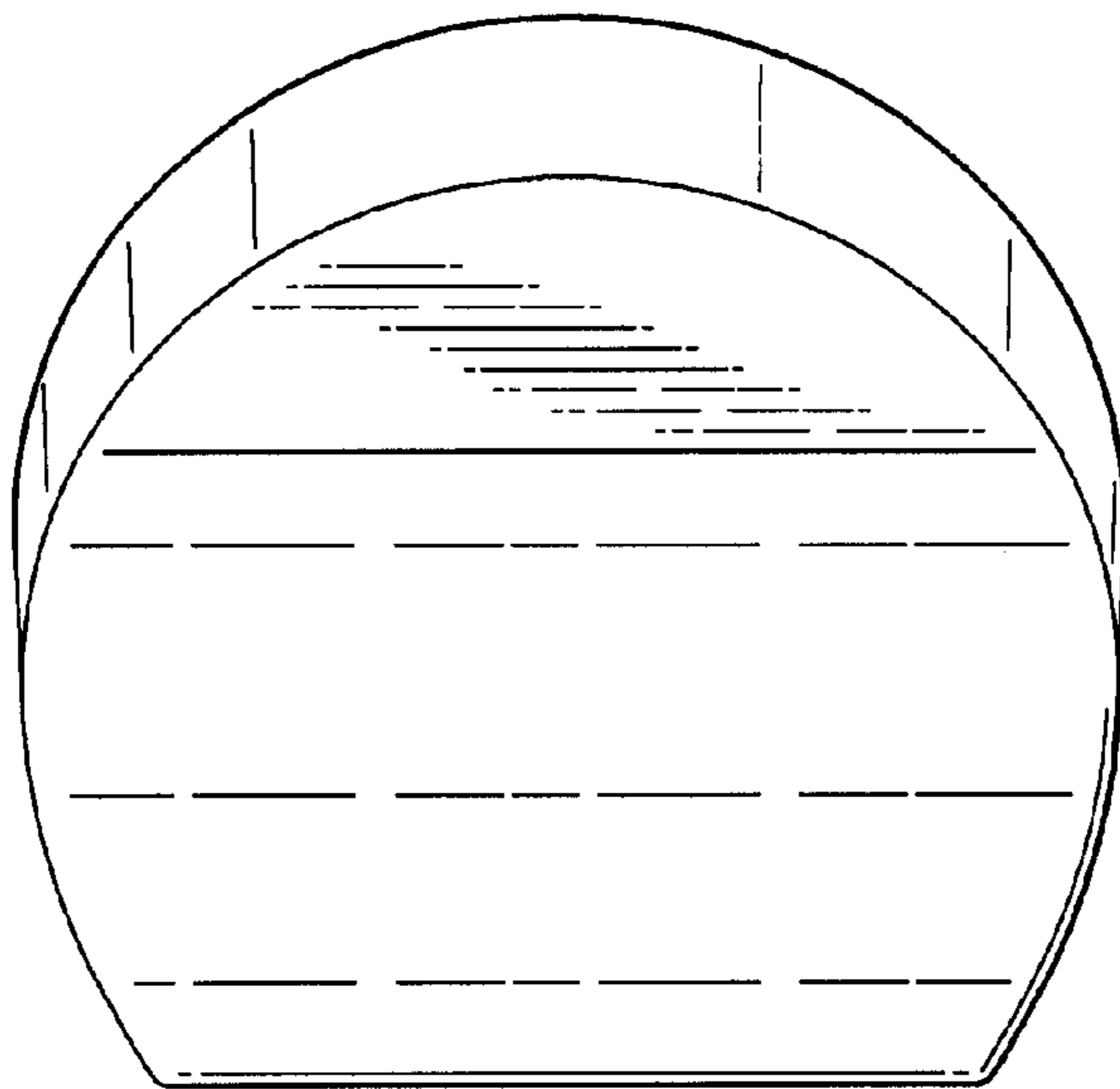


FIG. 3

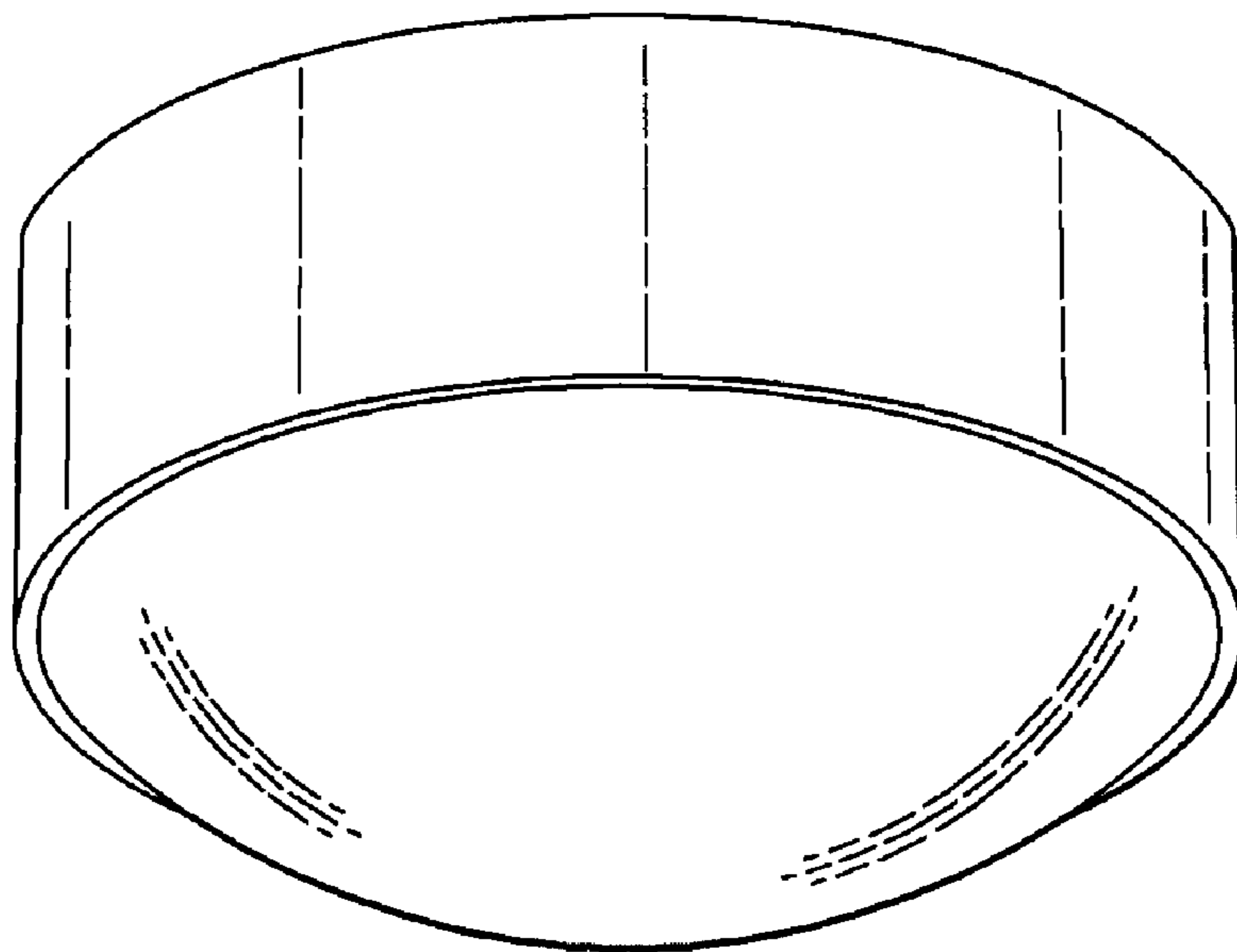


FIG. 5

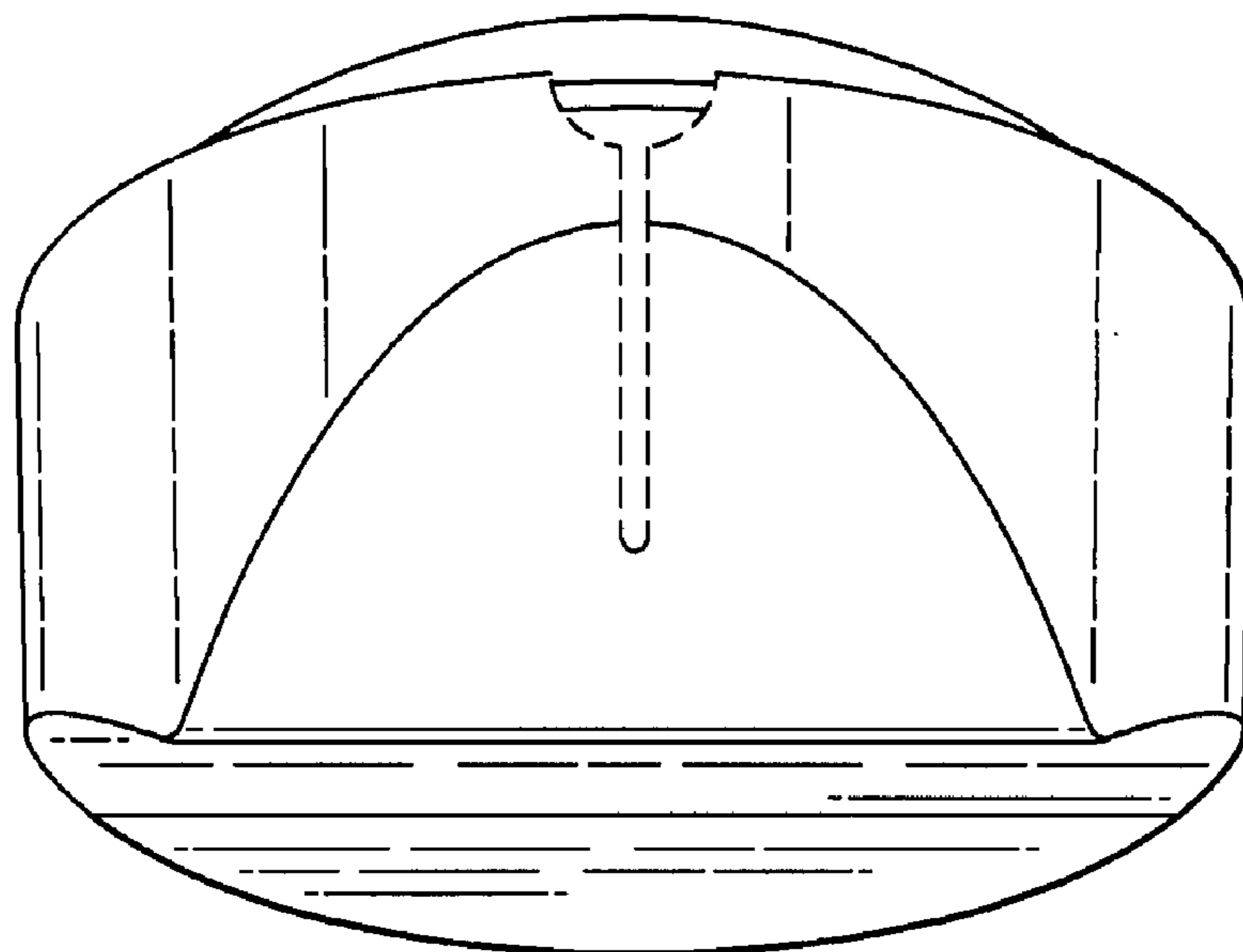


FIG. 6