

US00D509659S

(12) **United States Design Patent**  
**Weaver**

(10) **Patent No.:** **US D509,659 S**  
(45) **Date of Patent:** **\*\* Sep. 20, 2005**

(54) **HAND BROOM**

(75) **Inventor:** **Jace A. Weaver**, Gilbertsville, PA (US)

(73) **Assignee:** **Quickie Manufacturing Corporation**,  
Cinnaminson, NJ (US)

(\*\*) **Term:** **14 Years**

(21) **Appl. No.:** **29/220,960**

(22) **Filed:** **Jan. 7, 2005**

(51) **LOC (8) Cl.** ..... **04-01**

(52) **U.S. Cl.** ..... **D4/135**

(58) **Field of Search** ..... D4/132, 135, 138,  
D4/199; D52/50, 51; 15/146, 159.1, 160,  
168, 171, 175, 176.1, 176.2, 191.1, 192,  
193

(56) **References Cited**

**U.S. PATENT DOCUMENTS**

D63,074 S \* 10/1923 Edlund ..... D4/135  
D350,233 S \* 9/1994 Joyner ..... D4/199  
D411,920 S \* 7/1999 Vosbikian et al. .... D4/135

**FOREIGN PATENT DOCUMENTS**

JP 09010157 A \* 1/1997 ..... A47L/13/38

\* cited by examiner

*Primary Examiner*—Alan P. Douglas

*Assistant Examiner*—Lavone D. Tabor

(74) *Attorney, Agent, or Firm*—Stuart M. Goldstein

(57) **CLAIM**

The ornamental design for a hand broom, as shown and described.

**DESCRIPTION**

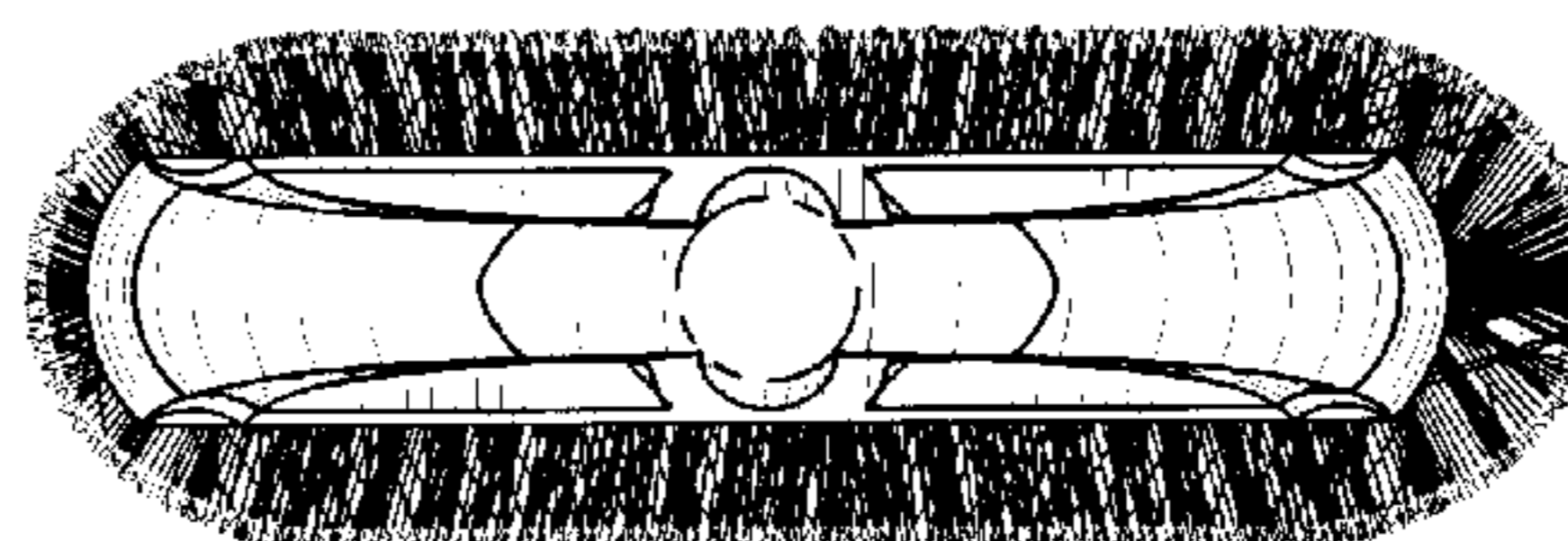
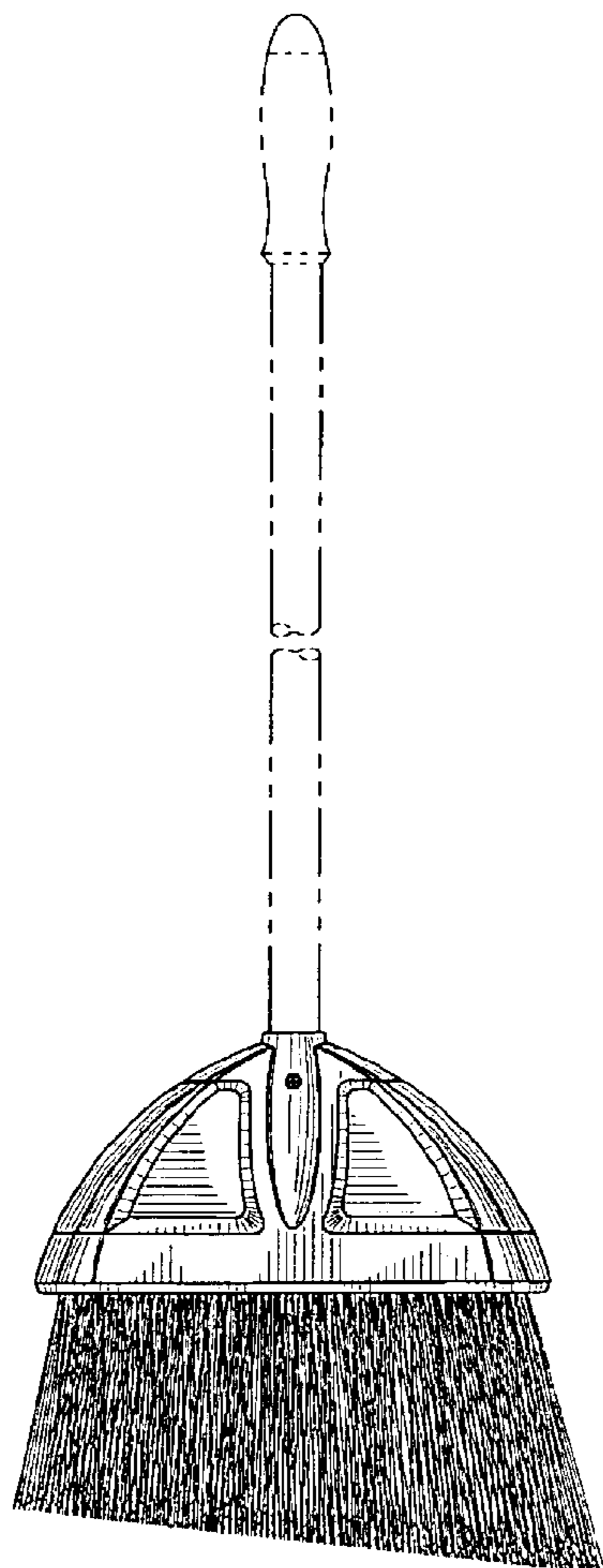
FIG. 1 shows the front view of the hand broom of the present invention. The rear view is a mirror image of this front view. FIG. 2 shows an elevation view of the hand broom of the present invention.

FIG. 3 shows the opposite elevation view of the hand broom of the present invention; and,

FIG. 4 shows the top view of the hand broom of the present invention.

The broken lines showing a handle are for illustrative purposes only and form no part of the claimed design.

**1 Claim, 3 Drawing Sheets**



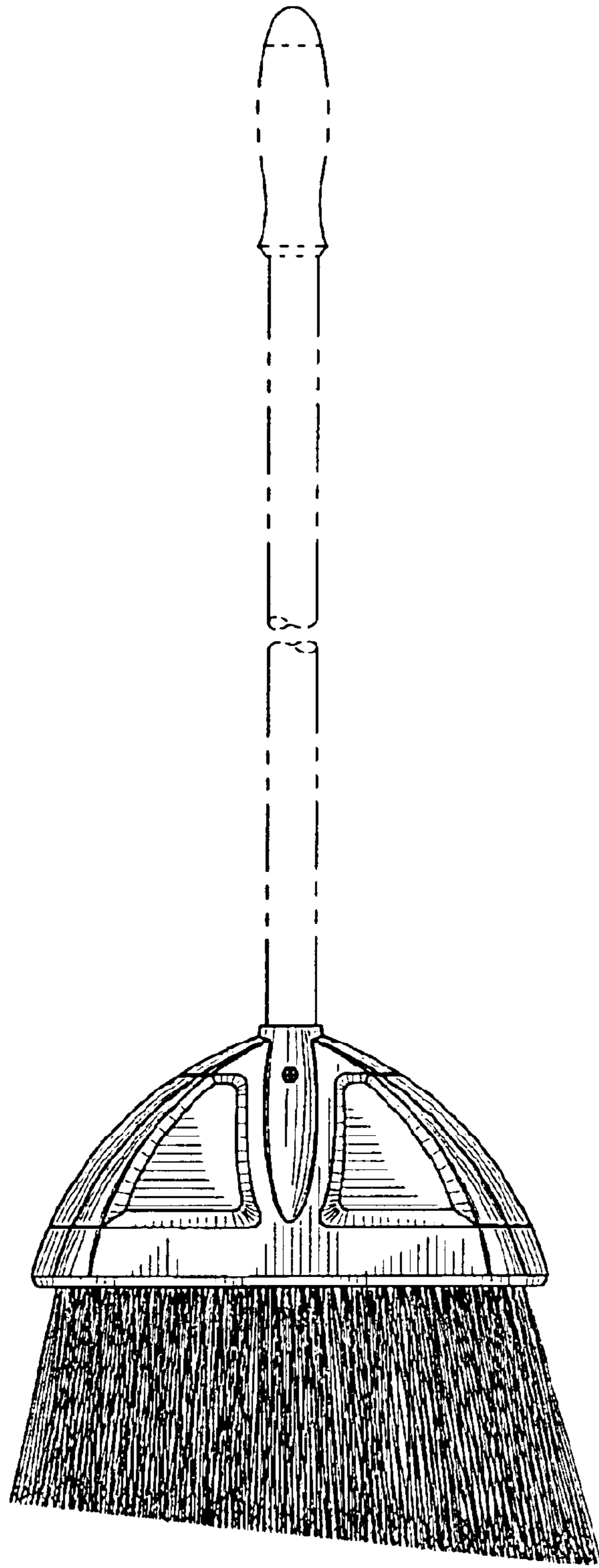


FIG. 1

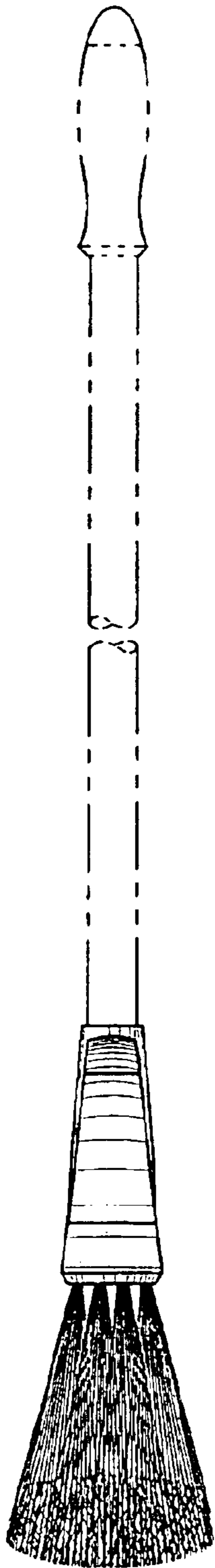


FIG. 2

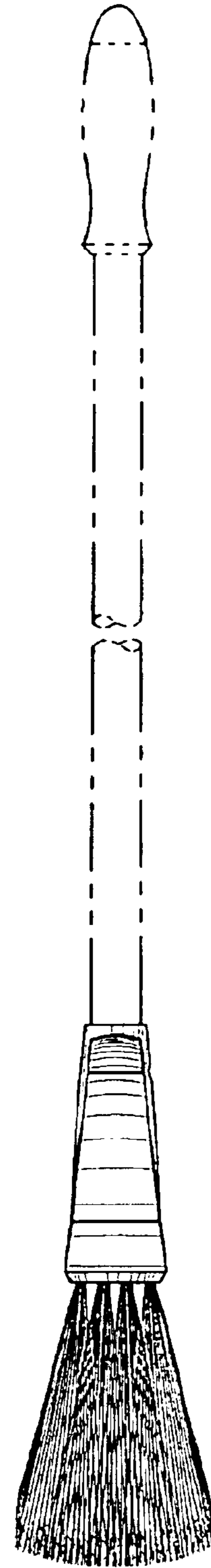


FIG. 3

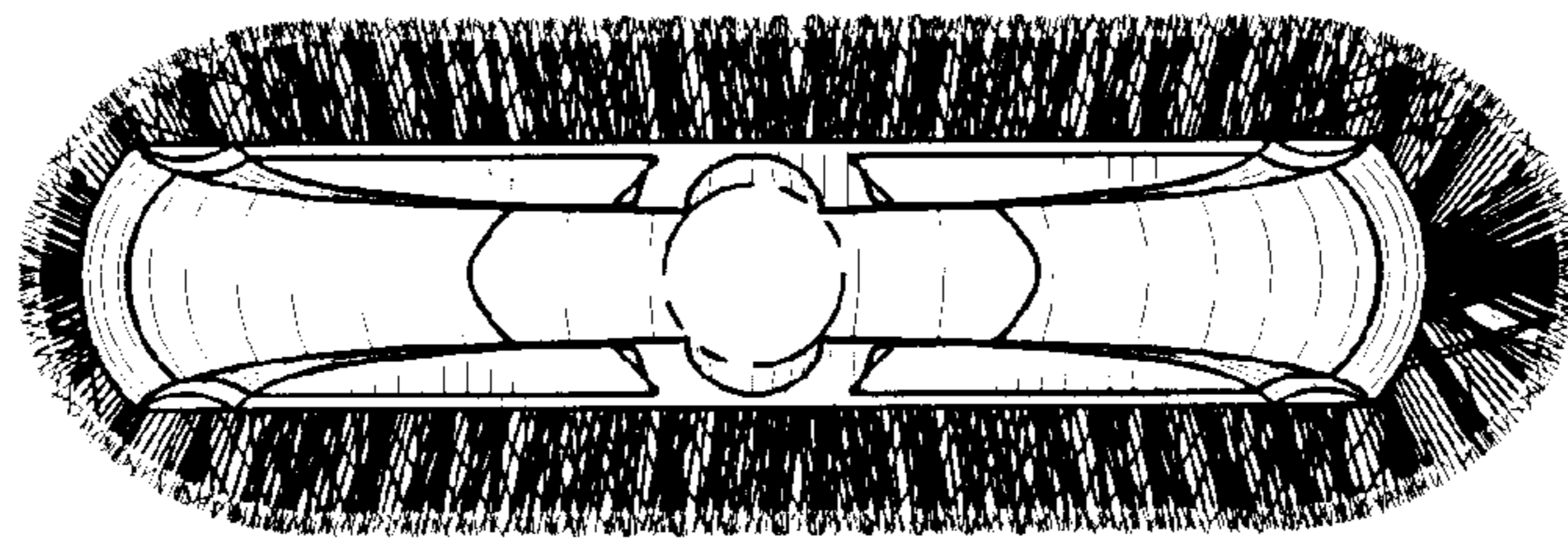


FIG. 4