



US00D509656S

(12) **United States Design Patent** (10) **Patent No.:** **US D509,656 S**
Pangerc et al. (45) **Date of Patent:** **** Sep. 20, 2005**

(54) **TOOL BIT CONTAINER**

(75) Inventors: **James E. Pangerc**, Baltimore, MD (US); **Robert P. Welsh**, Hunt Valley, MD (US); **William Bredlow**, Belair, MD (US); **Carlo Massobrio**, Fort Gratiot, MI (US)

(73) Assignee: **Black & Decker Inc.**, Newark, DE (US)

(**) Term: **14 Years**

(21) Appl. No.: **29/183,329**

(22) Filed: **Jun. 10, 2003**

(51) **LOC (8) Cl.** **03-01**

(52) **U.S. Cl.** **D3/294; D3/273; D3/905**

(58) **Field of Search** **D3/273, 281, 294, D3/295, 905; 206/349, 372, 373, 379, 378**

(56) **References Cited**

U.S. PATENT DOCUMENTS

D291,947 S	*	9/1987	Nakata	D3/206
D306,519 S	*	3/1990	Nakata	D3/206
5,108,287 A	*	4/1992	Yee et al.	433/77
D374,988 S	*	10/1996	Hillinger	D3/294
6,050,409 A	*	4/2000	Delbeck et al.	206/375
6,405,865 B1	*	6/2002	Lin	206/379
6,547,074 B1	*	4/2003	Chen	206/379

* cited by examiner

Primary Examiner—Philip S. Hyder

(74) *Attorney, Agent, or Firm*—**Harness, Dickey & Pierce, P.L.C.**

(57) **CLAIM**

The ornamental design for a tool bit container, substantially as shown and described.

DESCRIPTION

FIG. 1 is a perspective view of a tool bit container in accordance with the present invention.

FIG. 2 is a rear perspective view of the tool container of FIG. 1.

FIG. 3 is a top plan view of the tool container of FIG. 1.

FIG. 4 is a front plan view of FIG. 1.

FIG. 5 is a rear plan view of FIG. 1.

FIG. 6 is a side plan view of FIG. 1.

FIG. 7 is the other side view of FIG. 1.

FIG. 8 is a bottom plan view of FIG. 1.

FIG. 9 is a second embodiment of the present invention like that of FIG. 1 having a transparent housing.

FIG. 10 is a rear perspective view of the tool container of FIG. 10.

FIG. 11 is a top plan view of FIG. 10.

FIG. 12 is a front plan view of FIG. 10.

FIG. 13 is a rear plan view of FIG. 10.

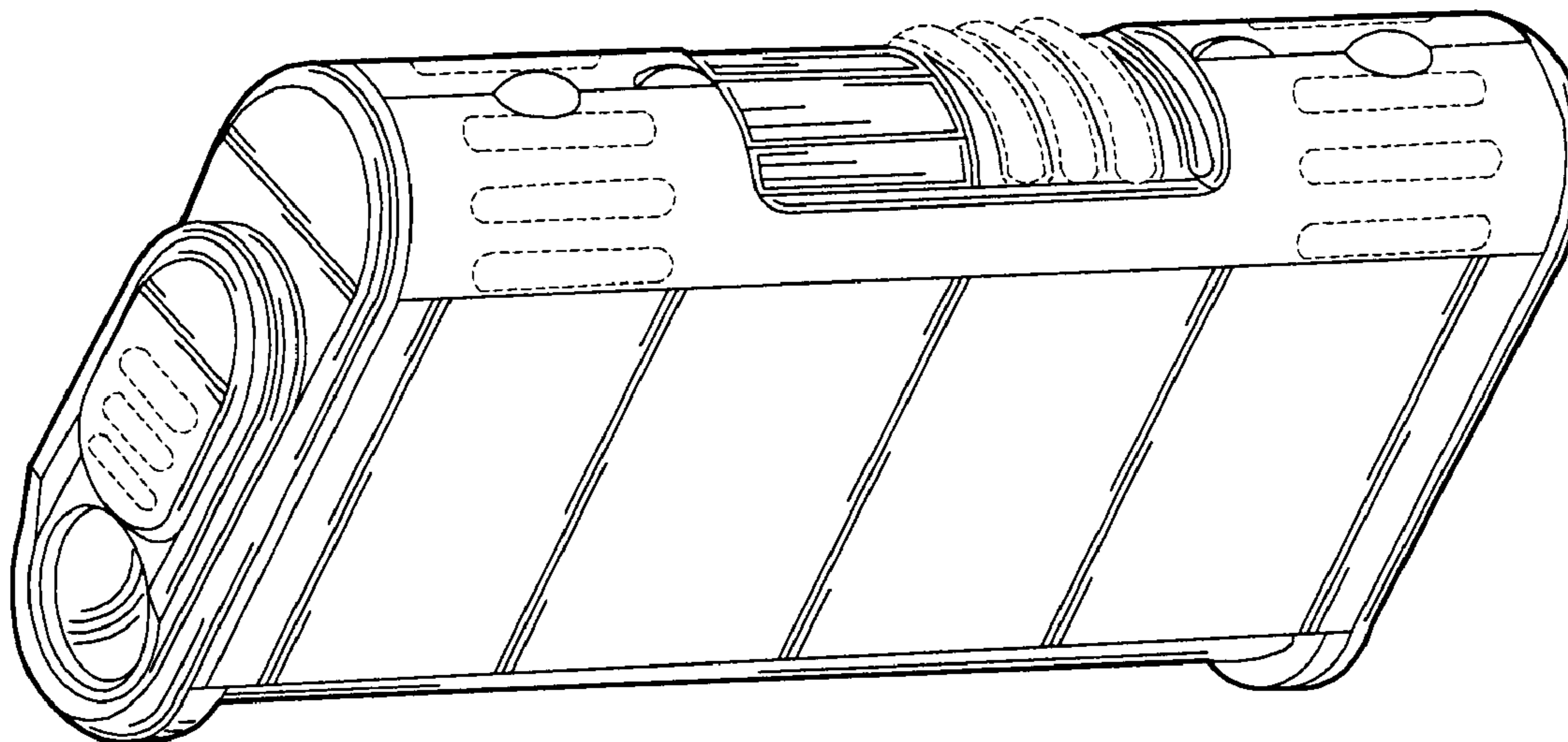
FIG. 14 is a side plan view of FIG. 10.

FIG. 15 is the other side view of FIG. 10; and,

FIG. 16 is the bottom plan view of FIG. 10.

The broken line portions of the disclosure are form illustrative purposes only and form no part of the claimed design.

1 Claim, 8 Drawing Sheets



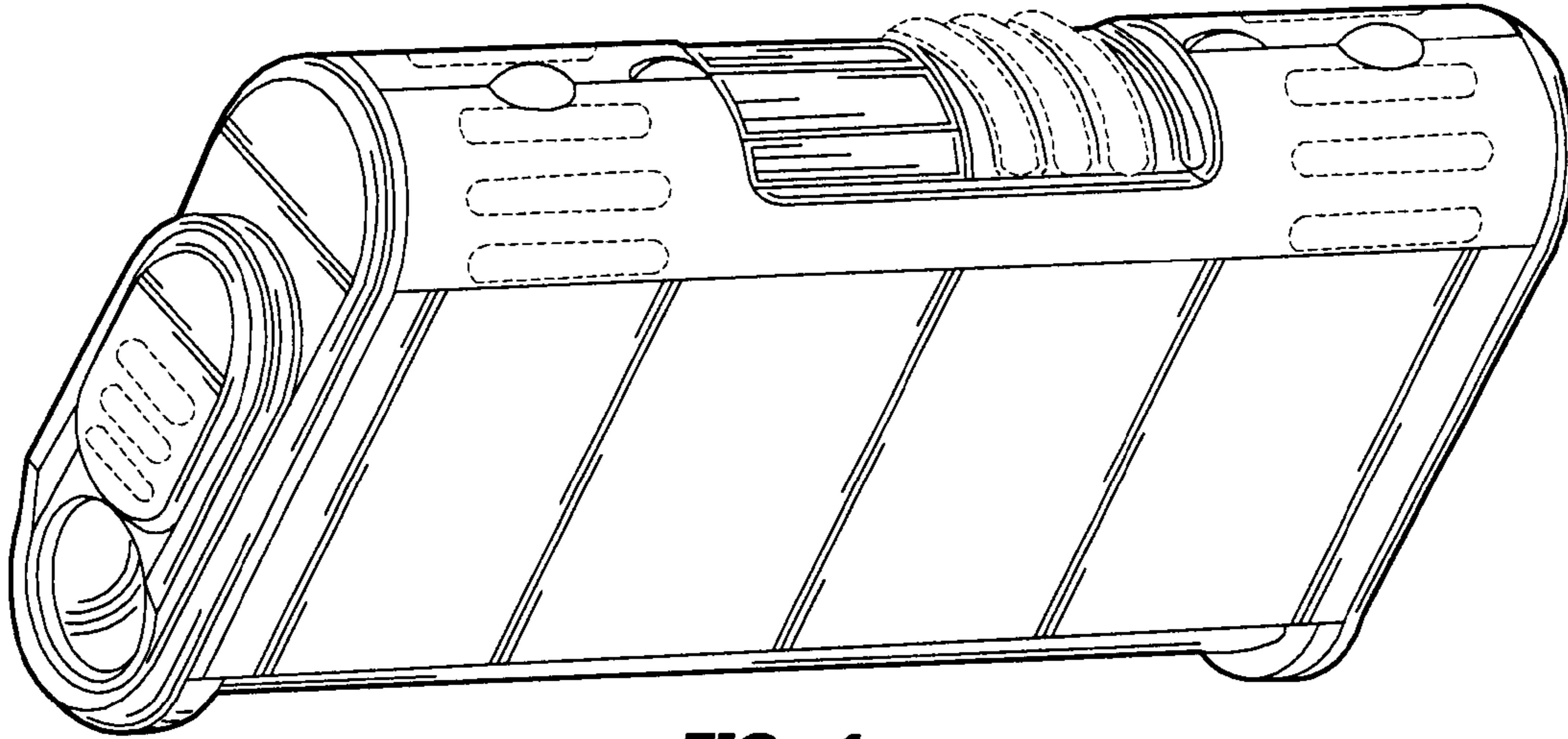


FIG - 1

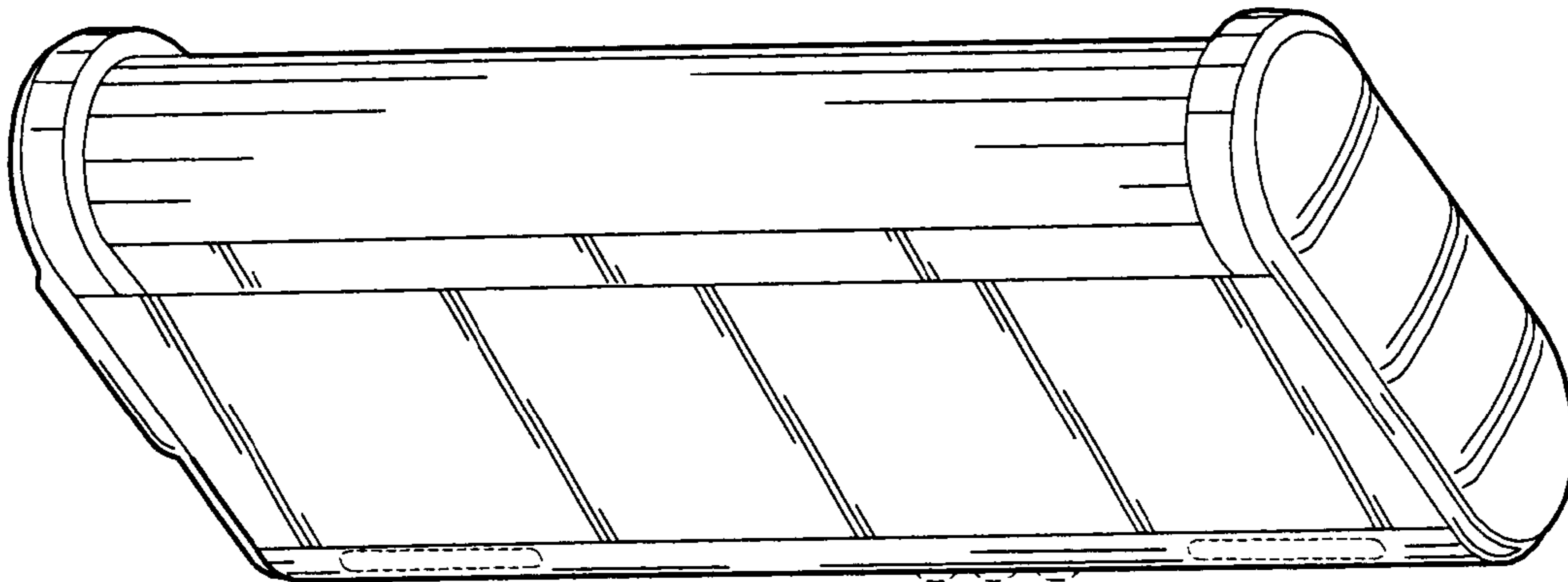


FIG - 2

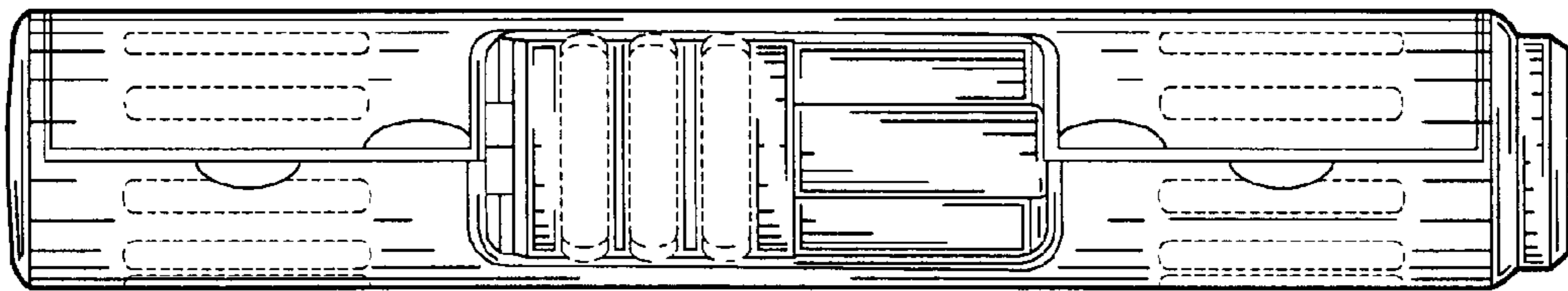


FIG - 3

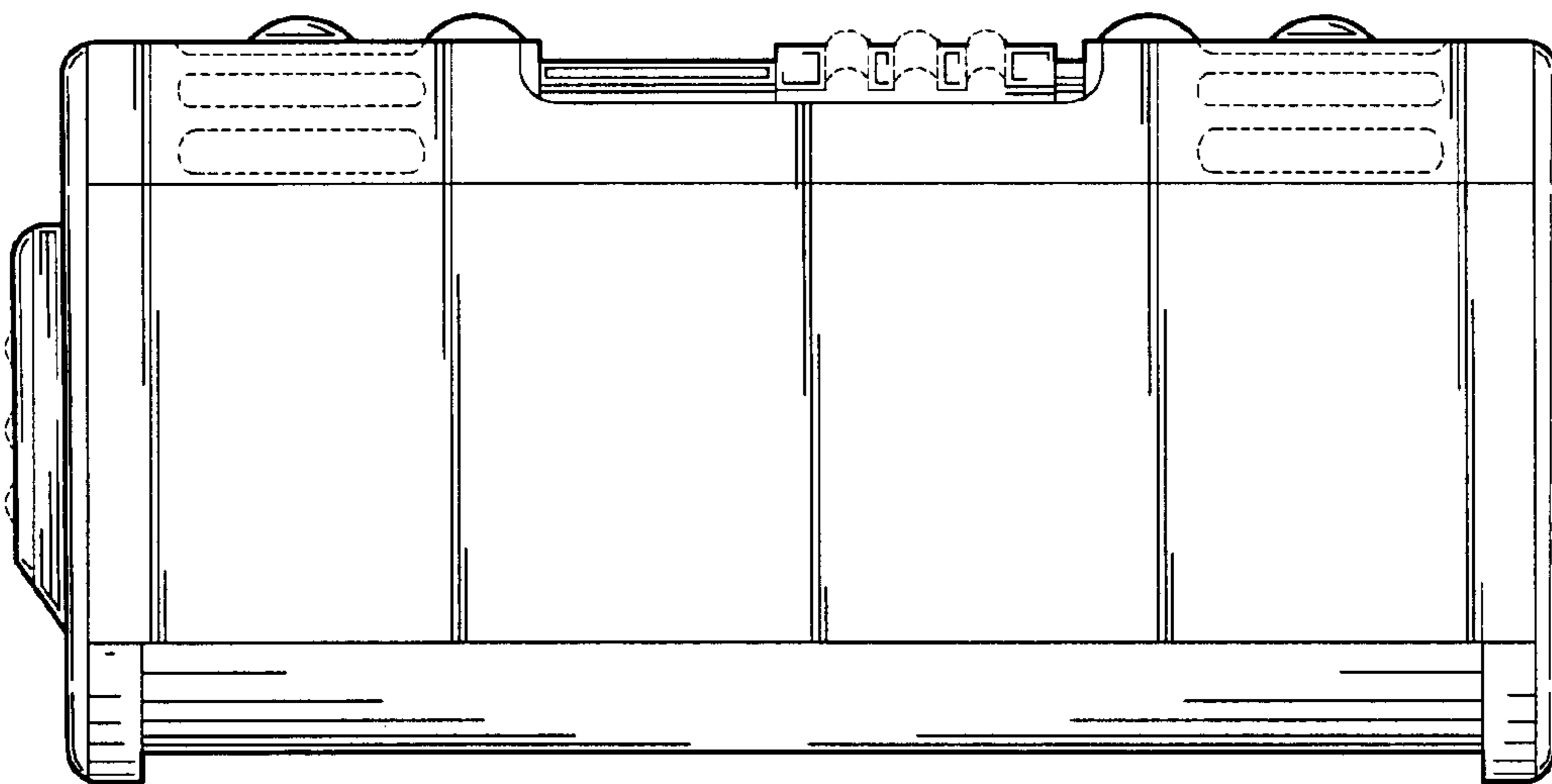


FIG - 4

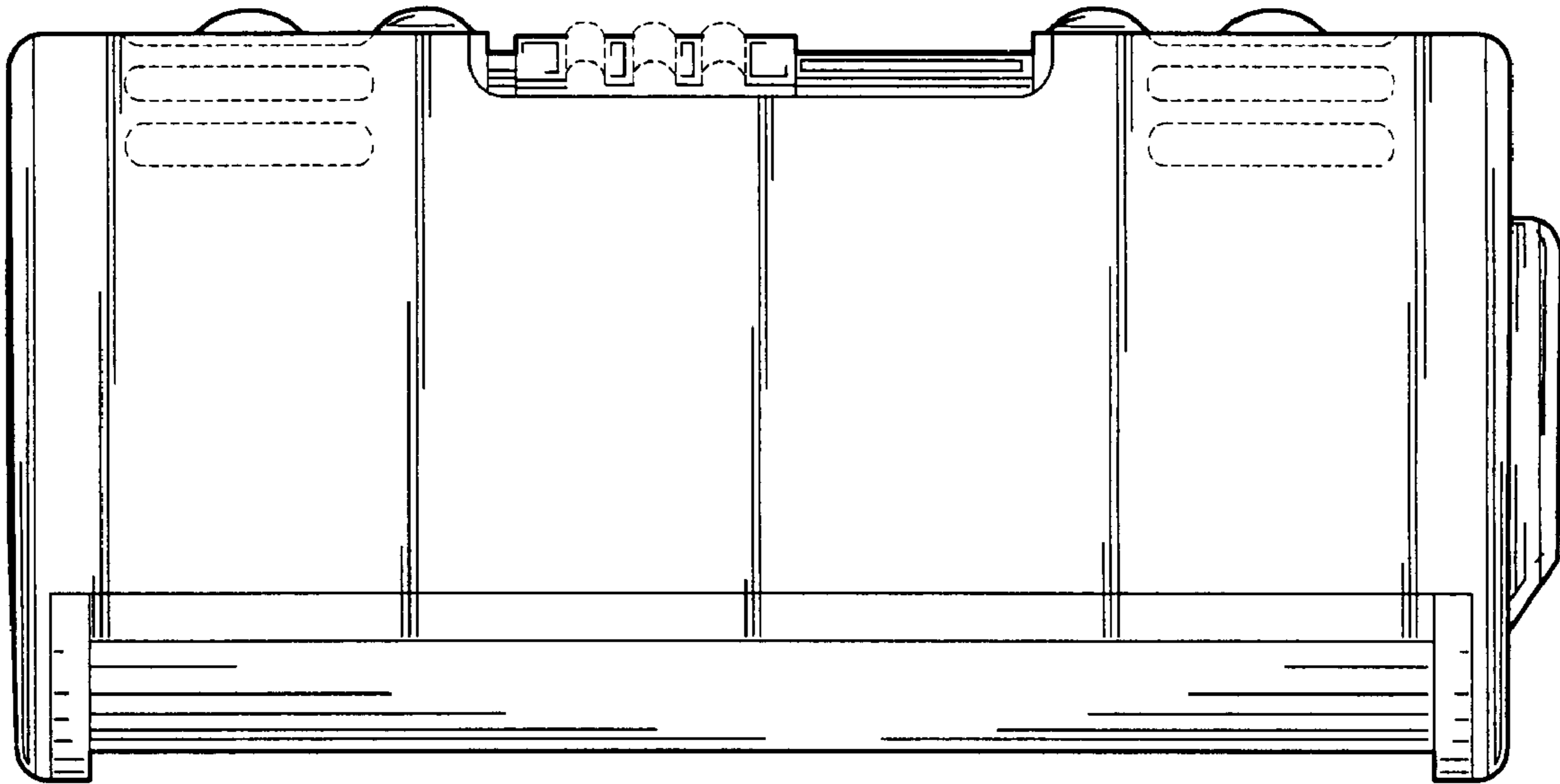


FIG - 5

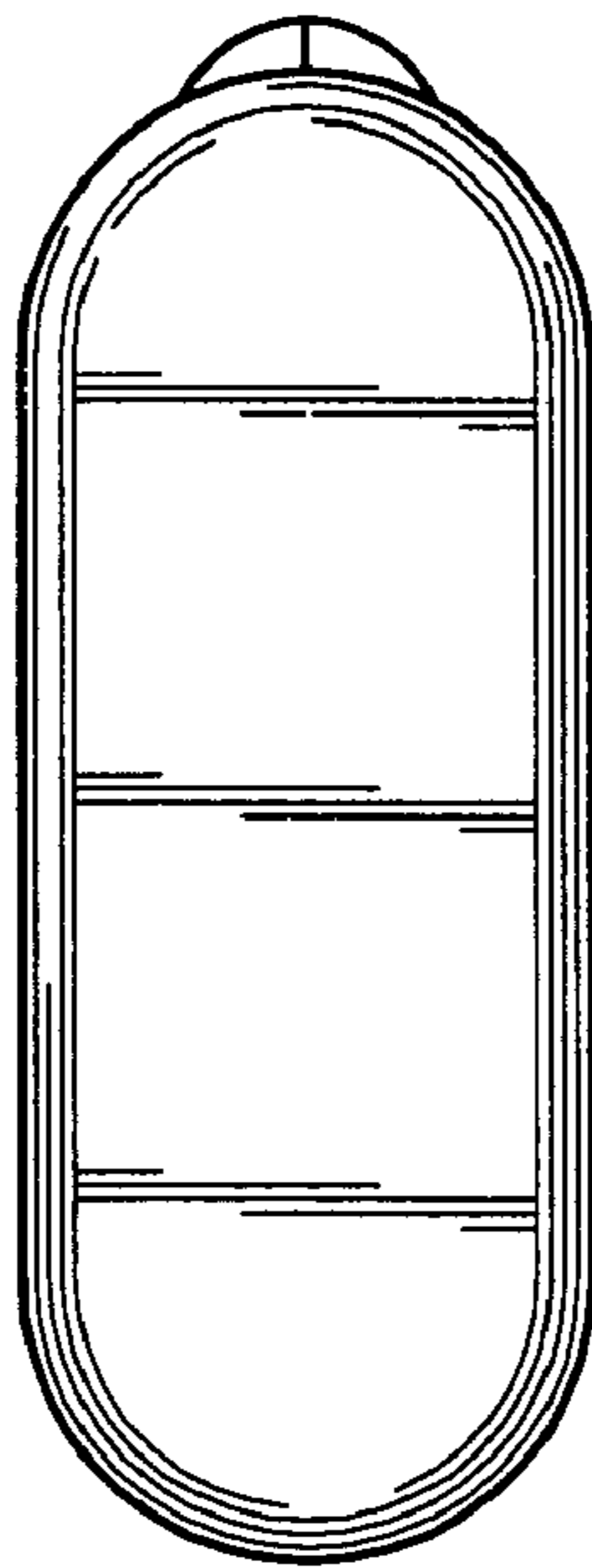


FIG - 6

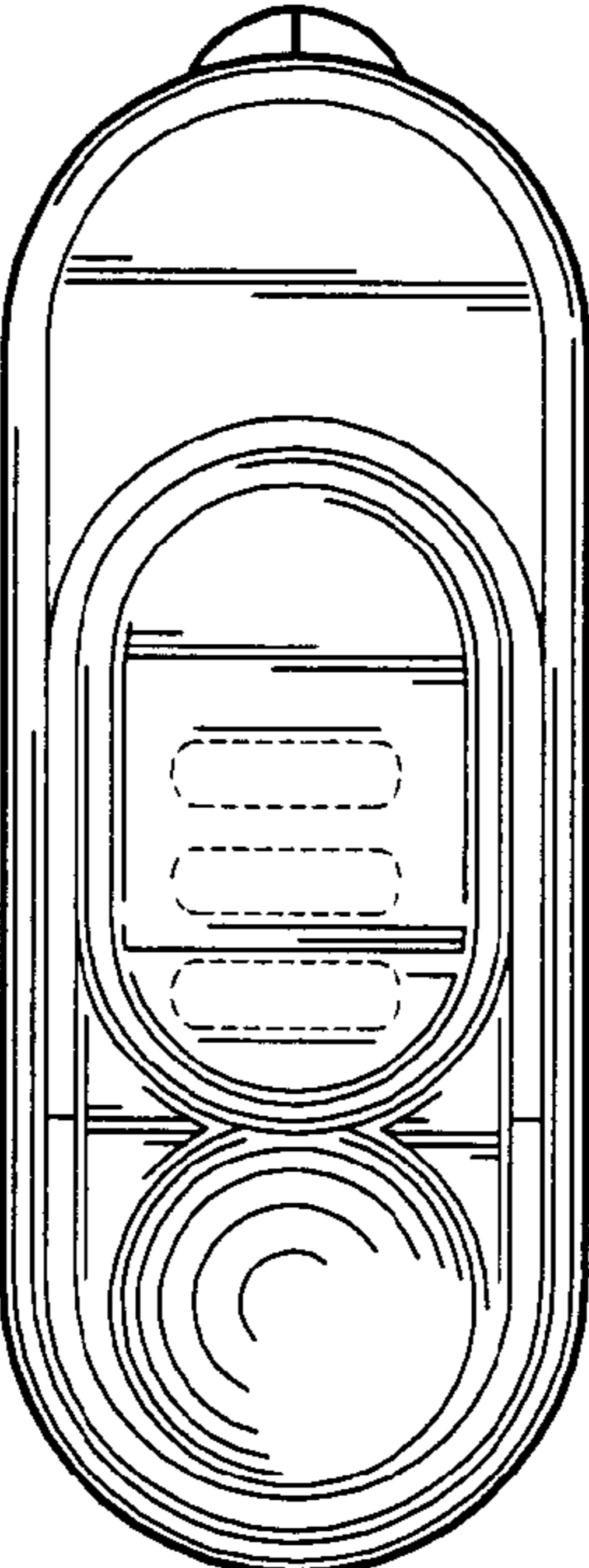


FIG - 7

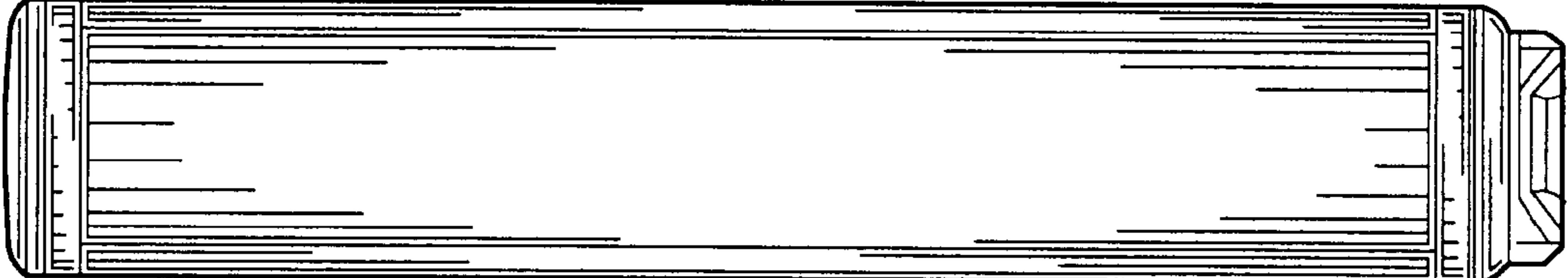


FIG - 8

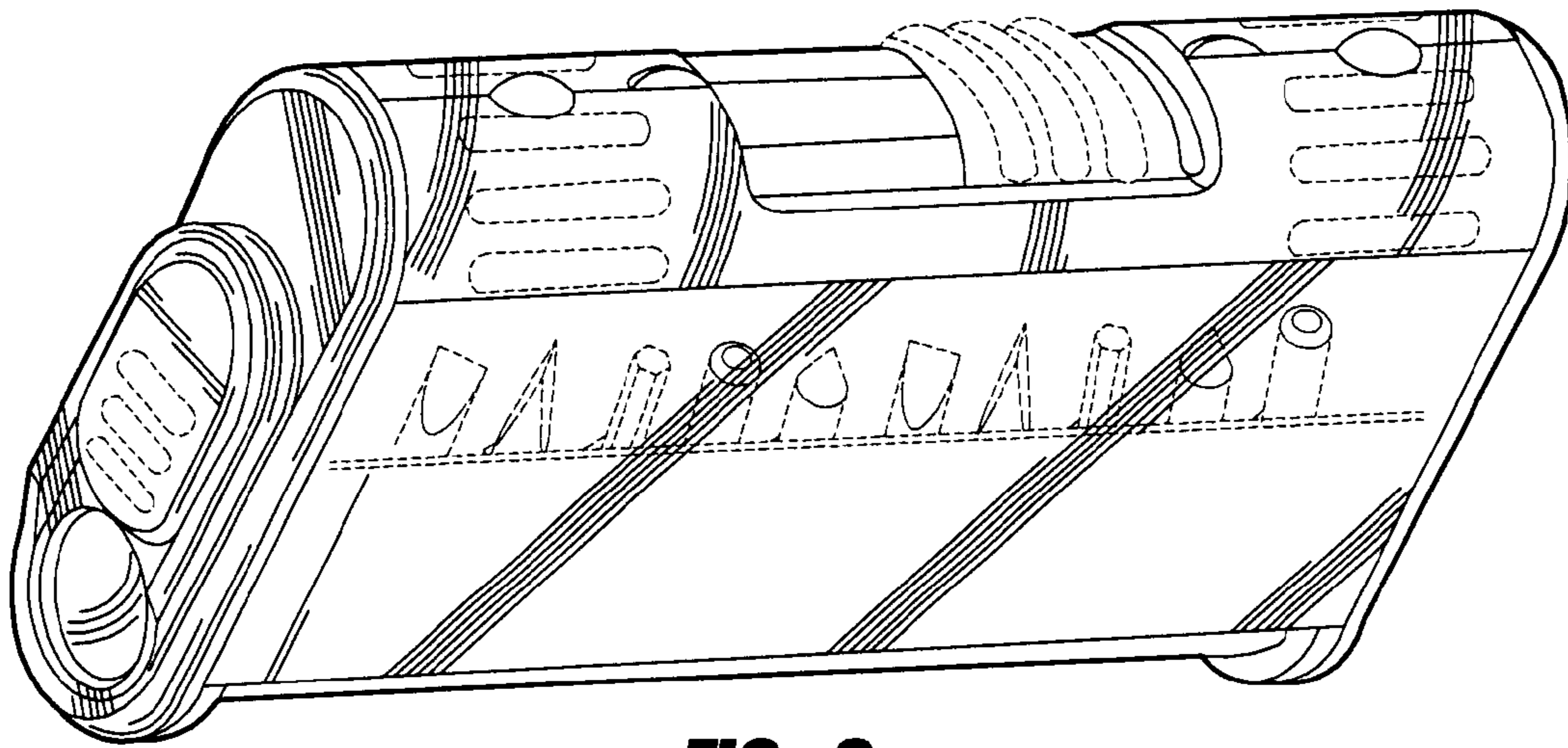


FIG - 9

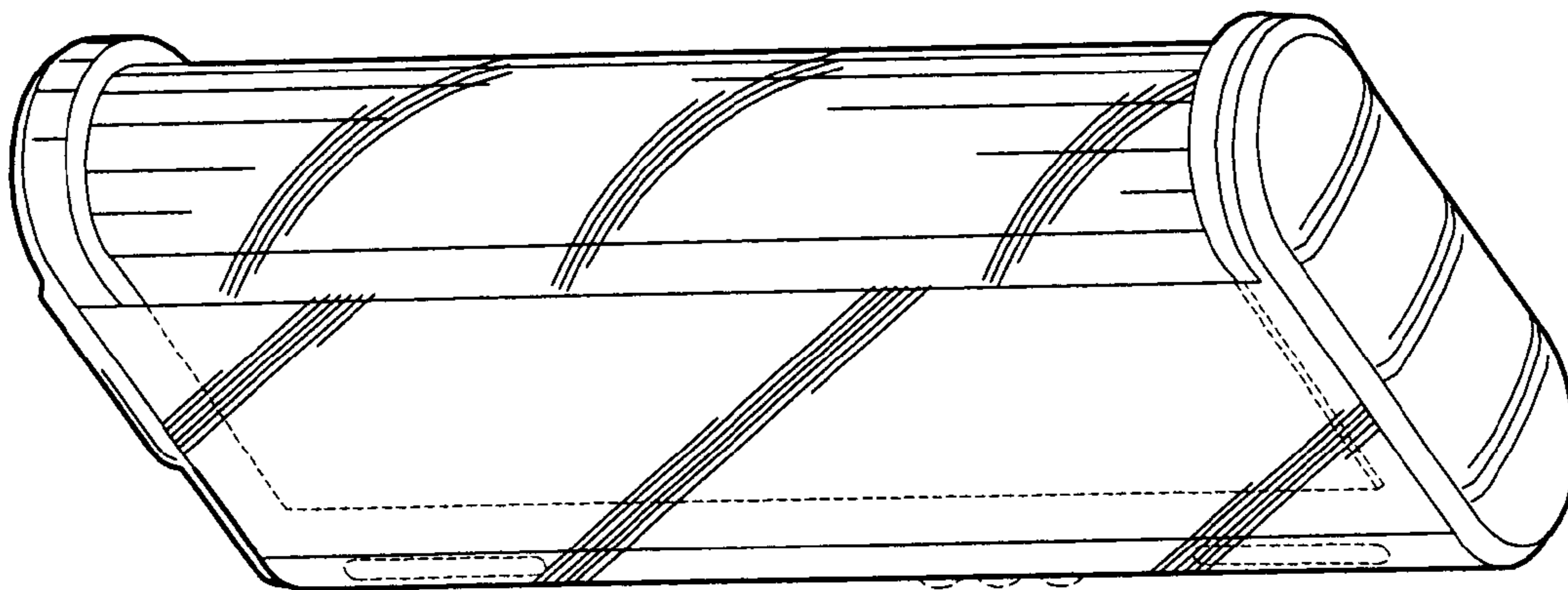


FIG - 10

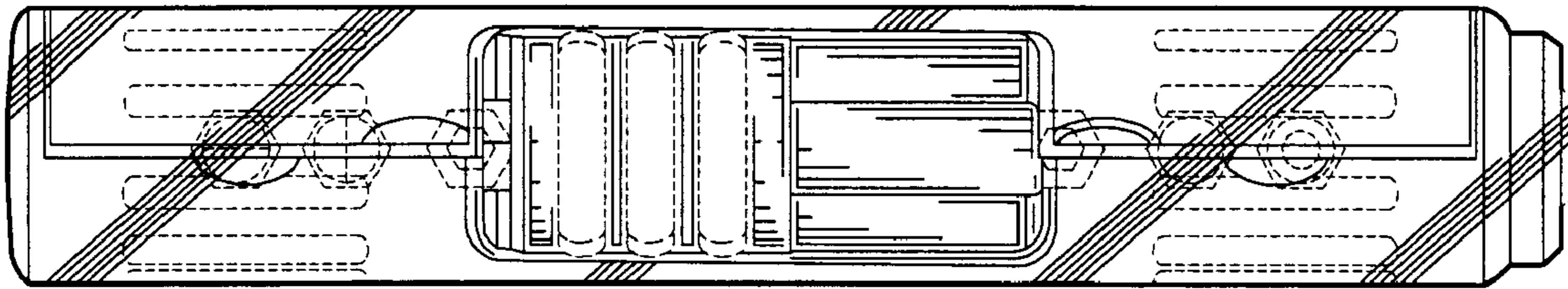


FIG - 11

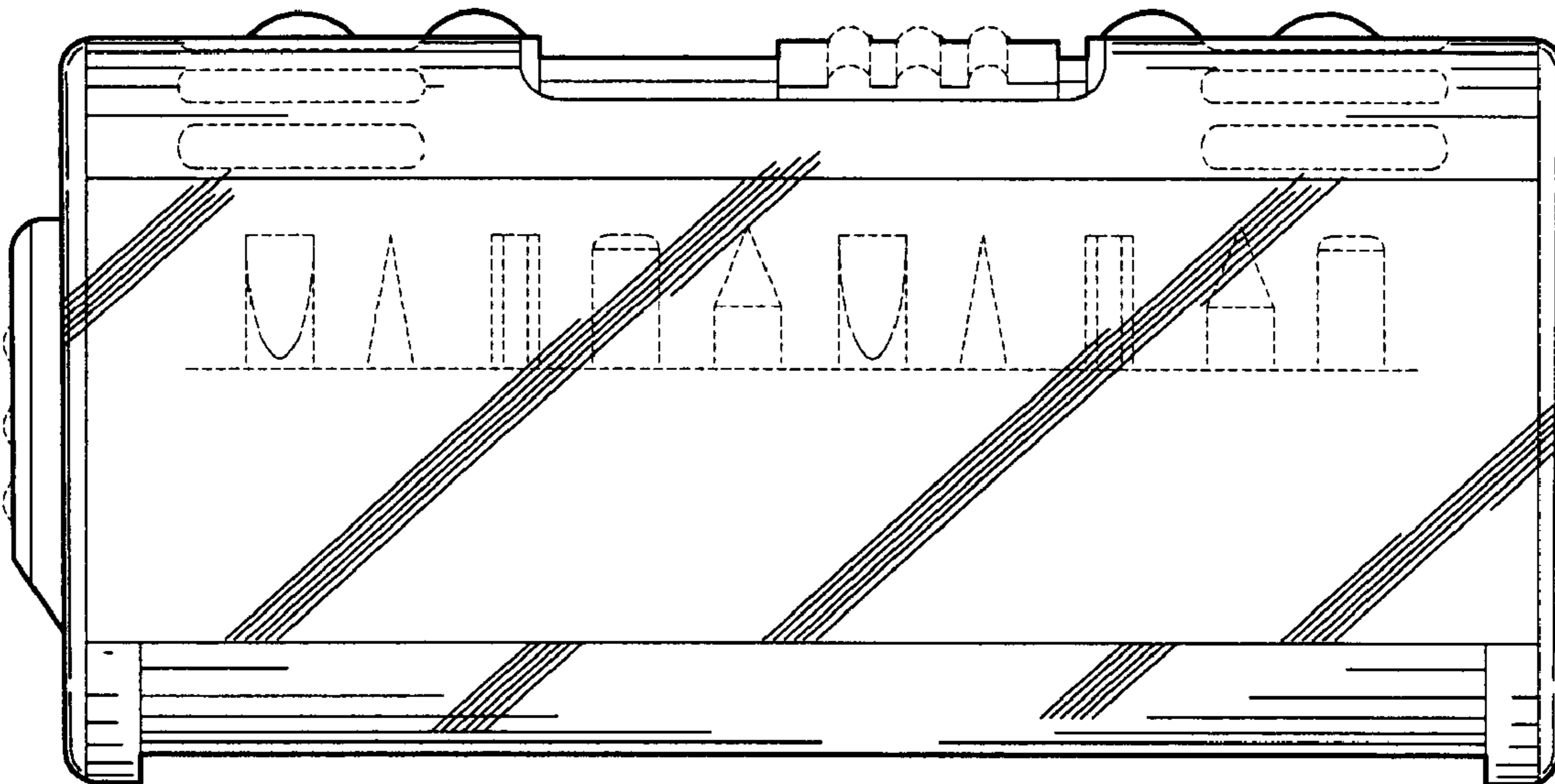


FIG - 12

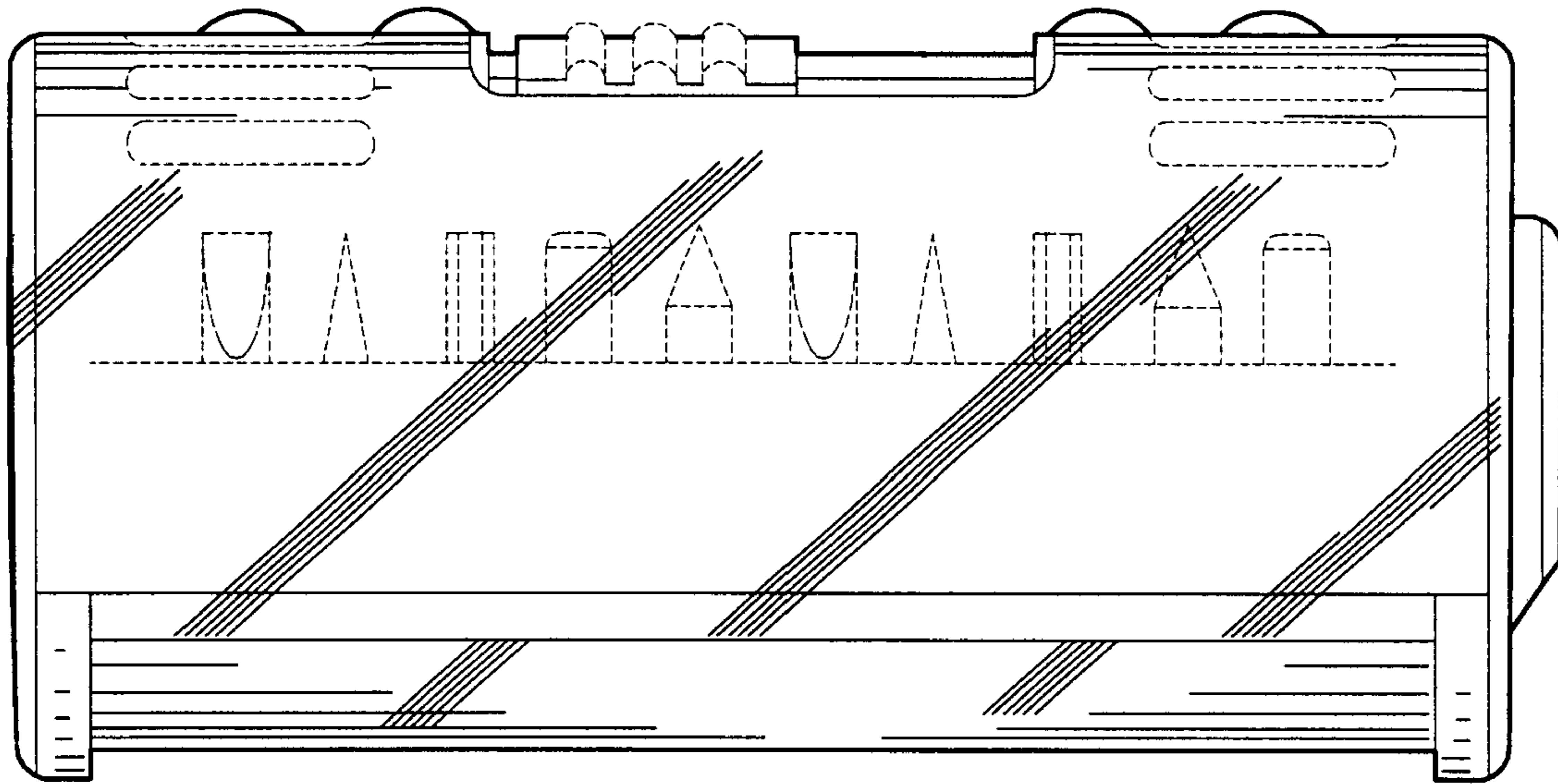


FIG - 13

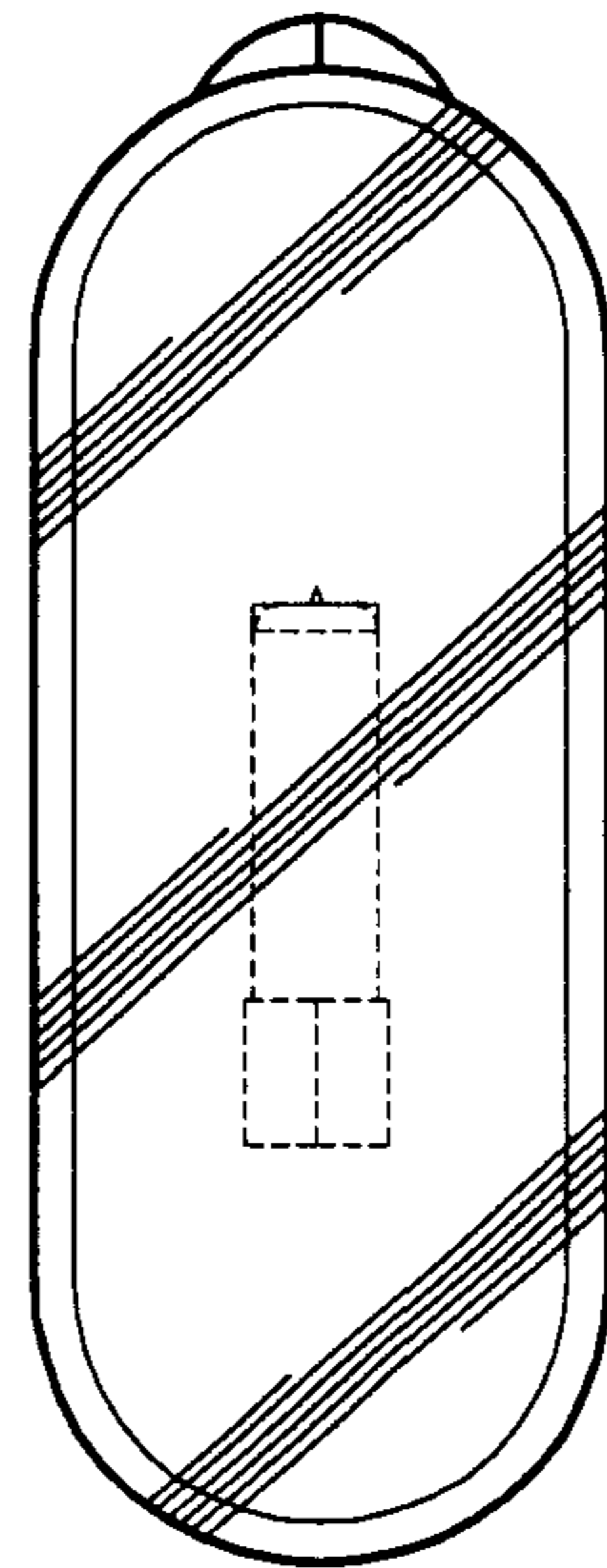


FIG - 14

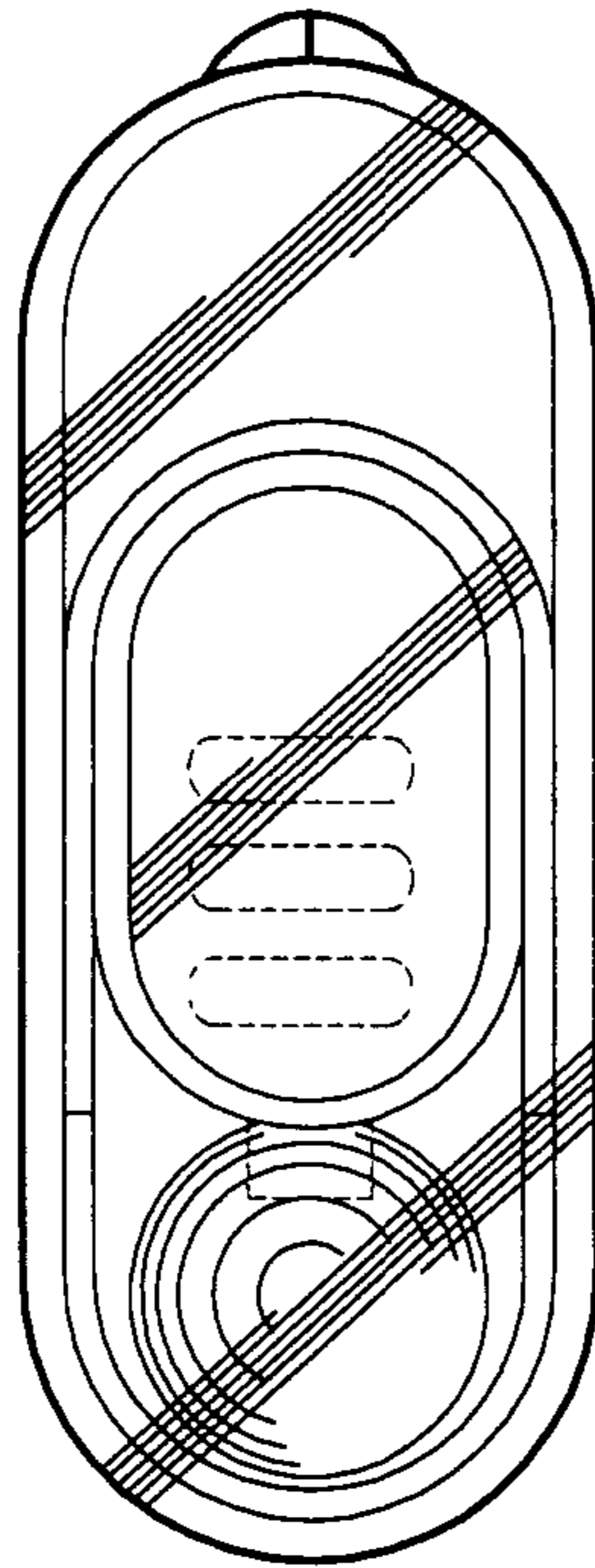


FIG - 15

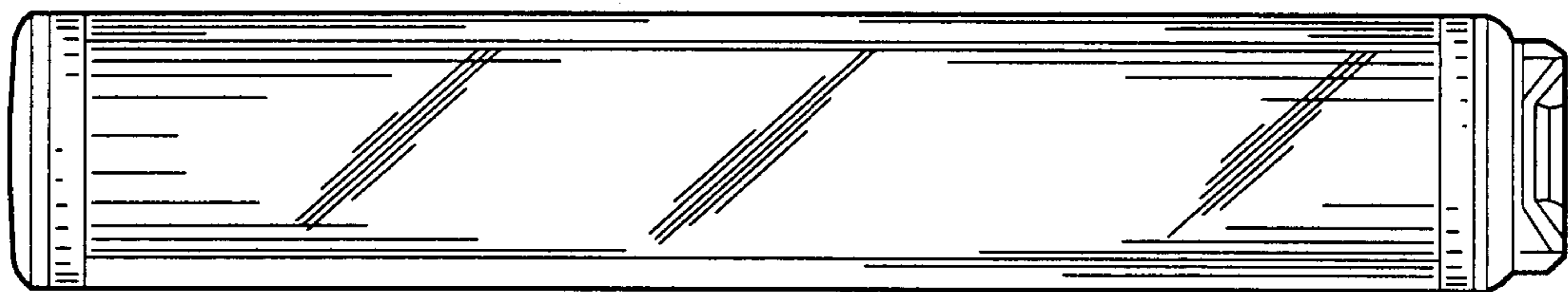


FIG - 16