

US00D509629S

(12) **United States Design Patent**
Holliday

(10) **Patent No.:** **US D509,629 S**

(45) **Date of Patent:** **** Sep. 13, 2005**

(54) **FEED PORT FOR BIRD FEEDER**

(75) Inventor: **Edward J. Holliday**, Lititz, PA (US)

(73) Assignee: **Woodstream Corporation**, Lititz, PA (US)

(**) Term: **14 Years**

(21) Appl. No.: **29/209,619**

(22) Filed: **Jul. 20, 2004**

(51) **LOC (8) Cl.** **30-03**

(52) **U.S. Cl.** **D30/127**

(58) **Field of Search** D30/124-28, 121,
D30/110, 115, 117, 119; 119/51.01, 53,
57.8, 428, 429, 433, 434-35, 469

(56) **References Cited**

U.S. PATENT DOCUMENTS

102,573	A	*	5/1870	Miller	119/428
3,568,641	A	*	3/1971	Kilham	119/57.8
D246,704	S	*	12/1977	Ophir	D11/87
D303,168	S	*	8/1989	Kilham	D30/128
D460,687	S	*	7/2002	Weinstock	D9/629
D488,684	S	*	4/2004	Zudal	D7/702

* cited by examiner

Primary Examiner—Alan P. Douglas

Assistant Examiner—Susan M Lee

(74) *Attorney, Agent, or Firm*—Jacobson Holman PLLC

(57) **CLAIM**

The ornamental design for a feed port for bird feeder, as shown and described.

DESCRIPTION

FIG. 1 is an environmental front view representative of one embodiment of my new design for a feed port for bird feeder, the portions shown in dotted lines being for illustrative purposes only forming no part of the present invention; FIG. 2 is a close-up front view of my new design for a feed port for bird feeder; FIG. 3 is a rear view thereof; FIG. 4 is a right side view thereof; FIG. 5 is a left side view thereof; FIG. 6 is a top view thereof; FIG. 7 is a bottom view thereof; FIG. 8 is a front view of a second embodiment showing my new design for a feed port bird feeder; FIG. 9 is a rear view thereof; FIG. 10 is a right side view thereof; FIG. 11 is a left side view thereof; FIG. 12 is a top view thereof; and, FIG. 13 is a bottom view thereof.

1 Claim, 5 Drawing Sheets

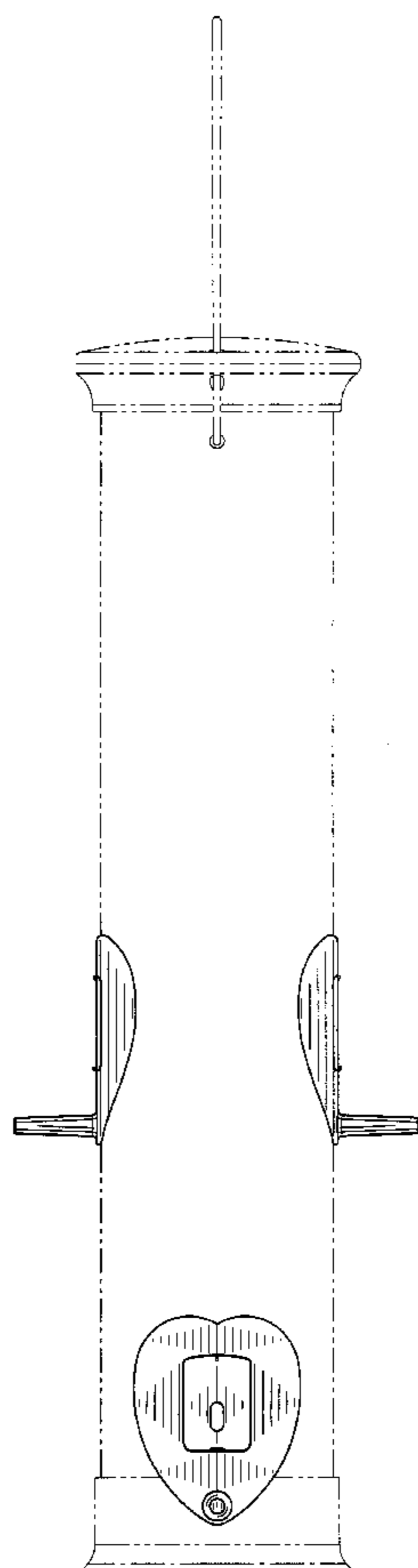


FIG. 1

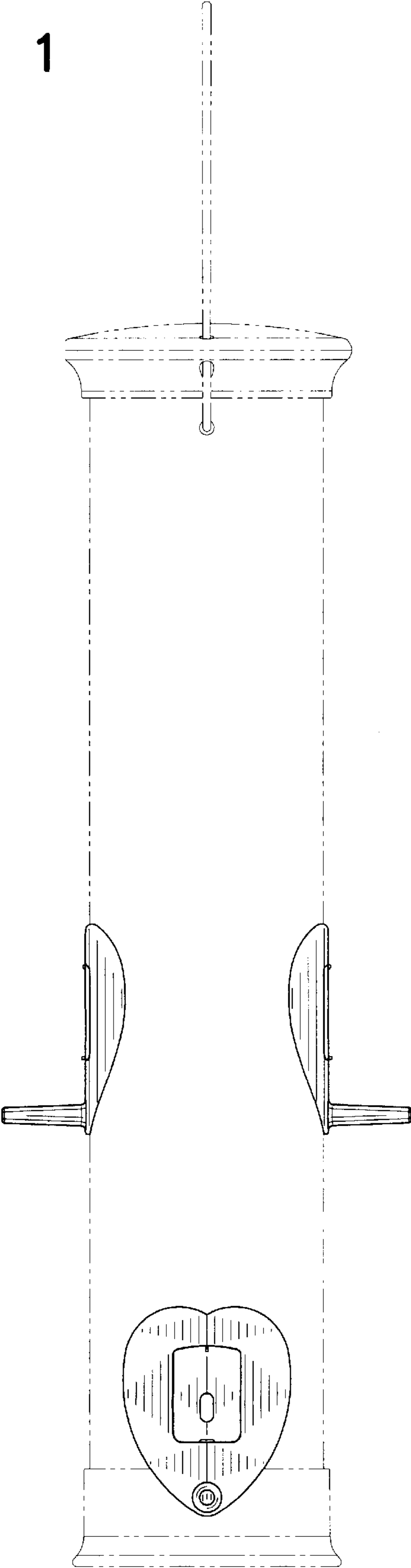


FIG. 2

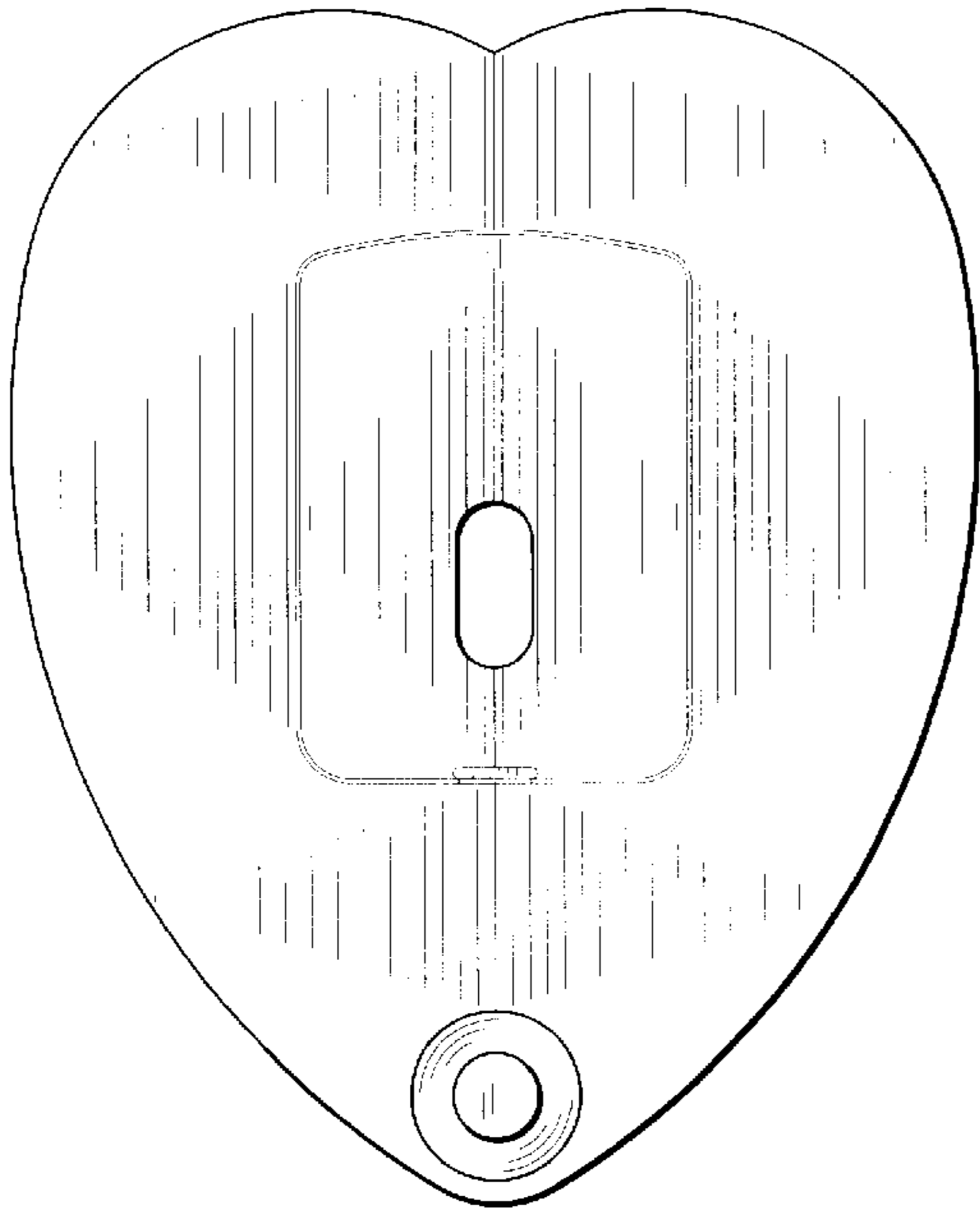


FIG. 3

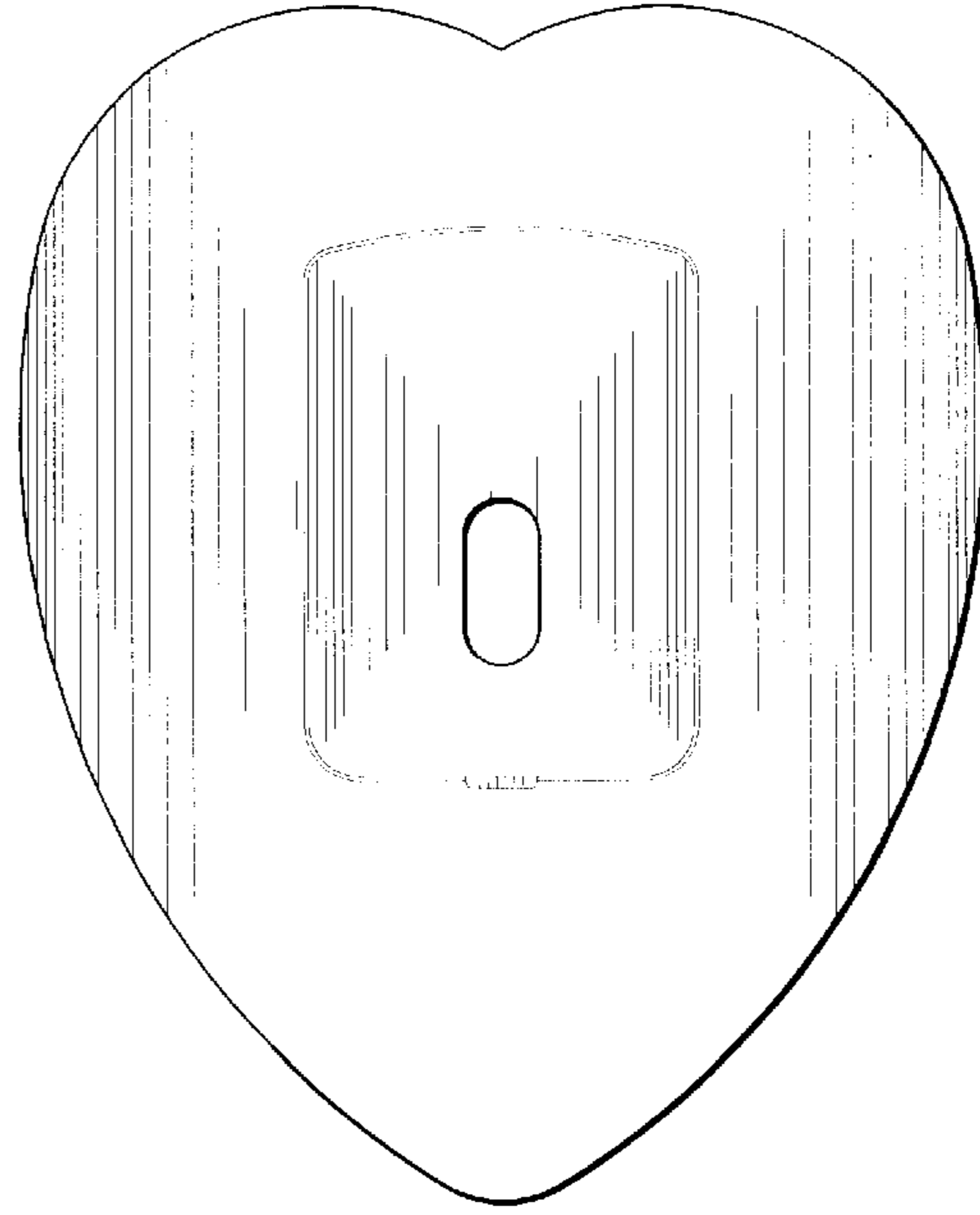


FIG. 4

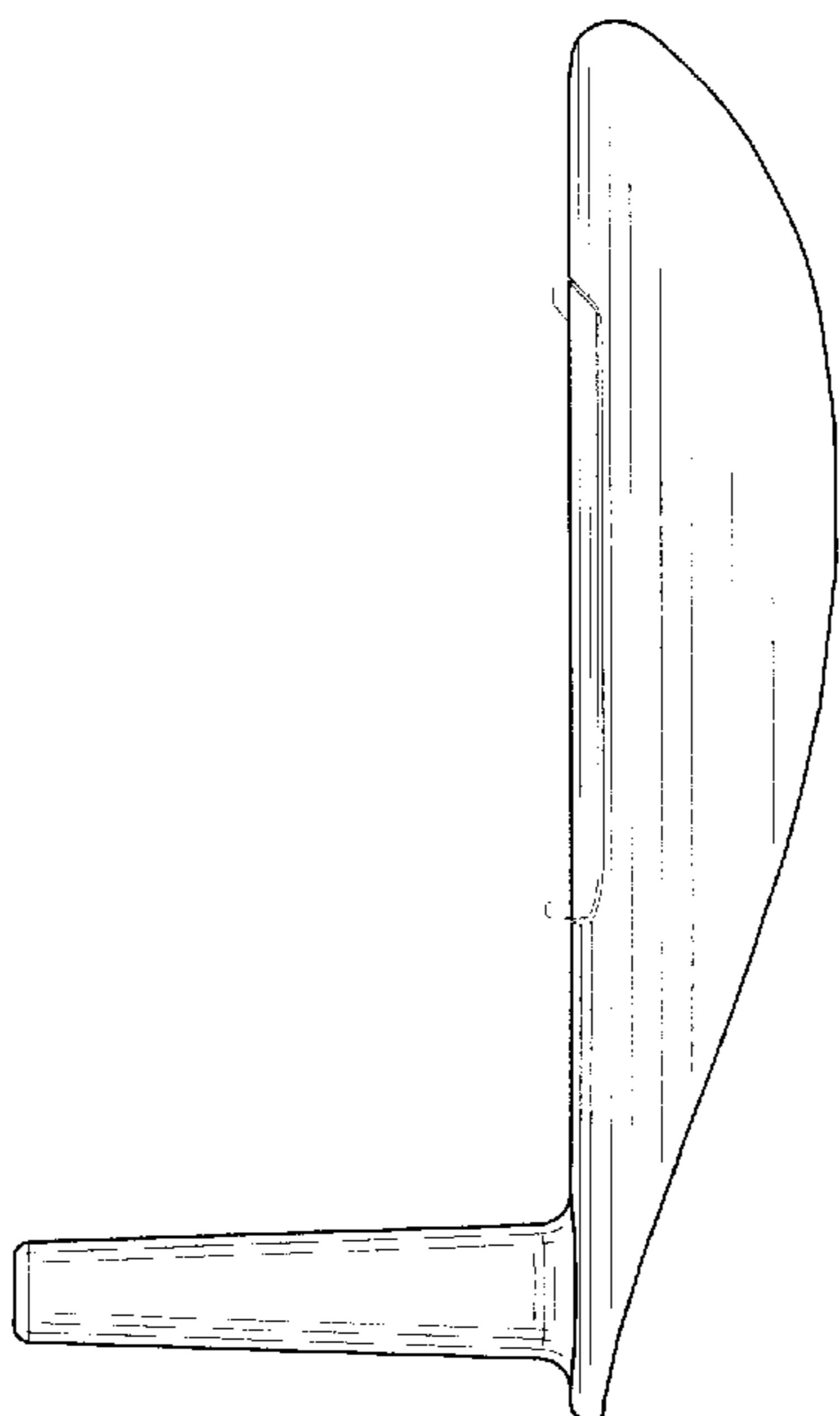


FIG. 5

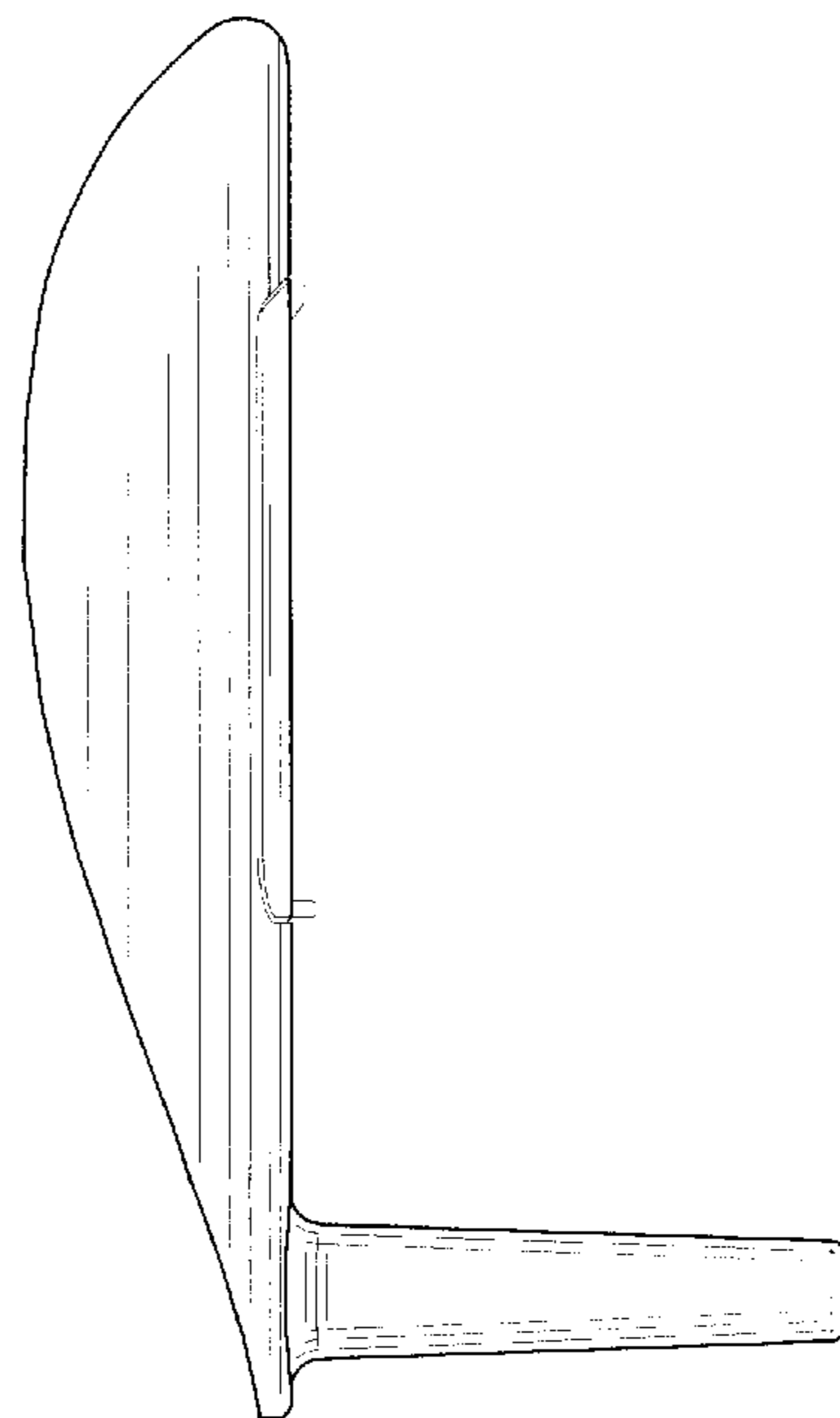


FIG. 6

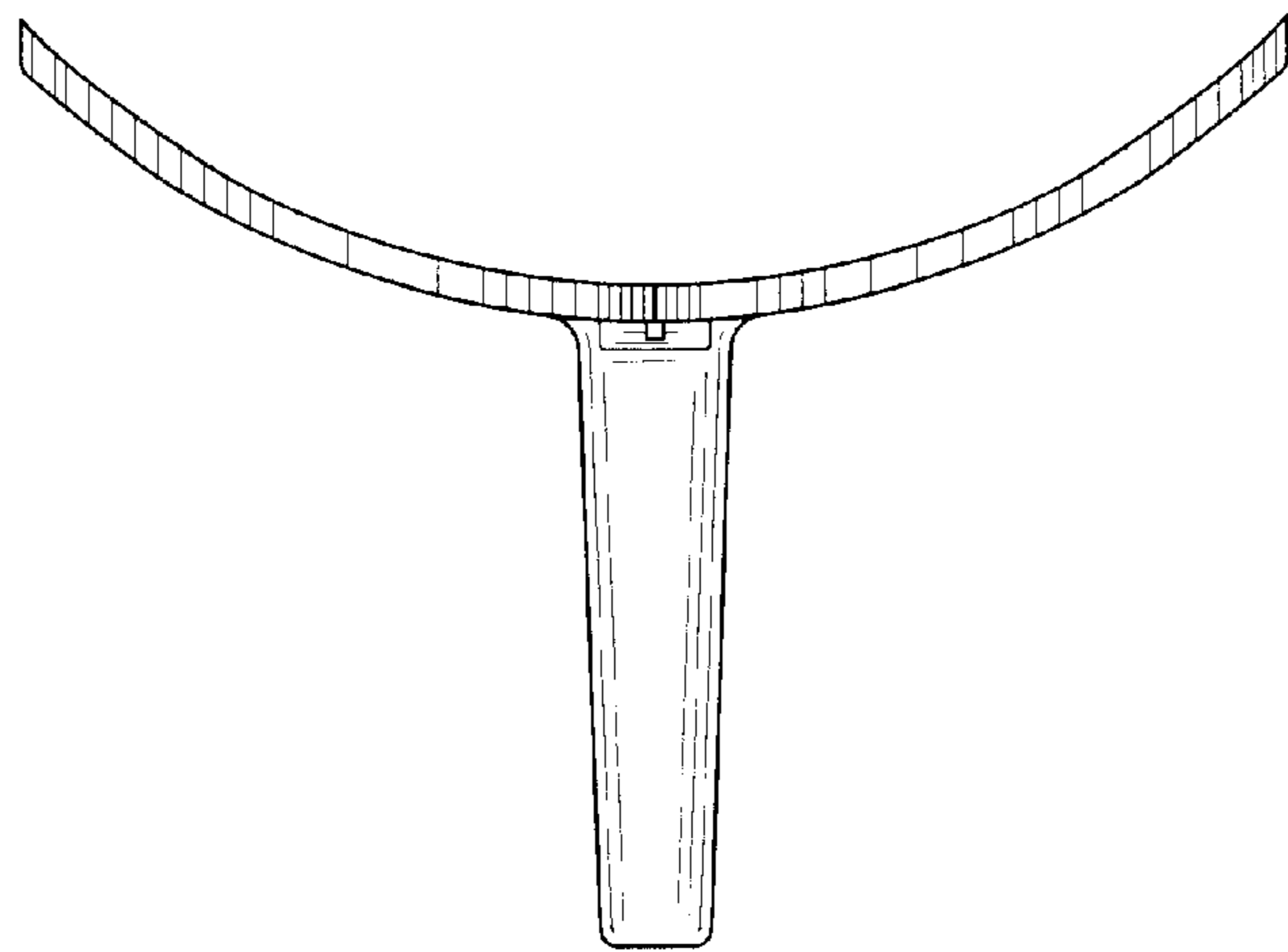


FIG. 7

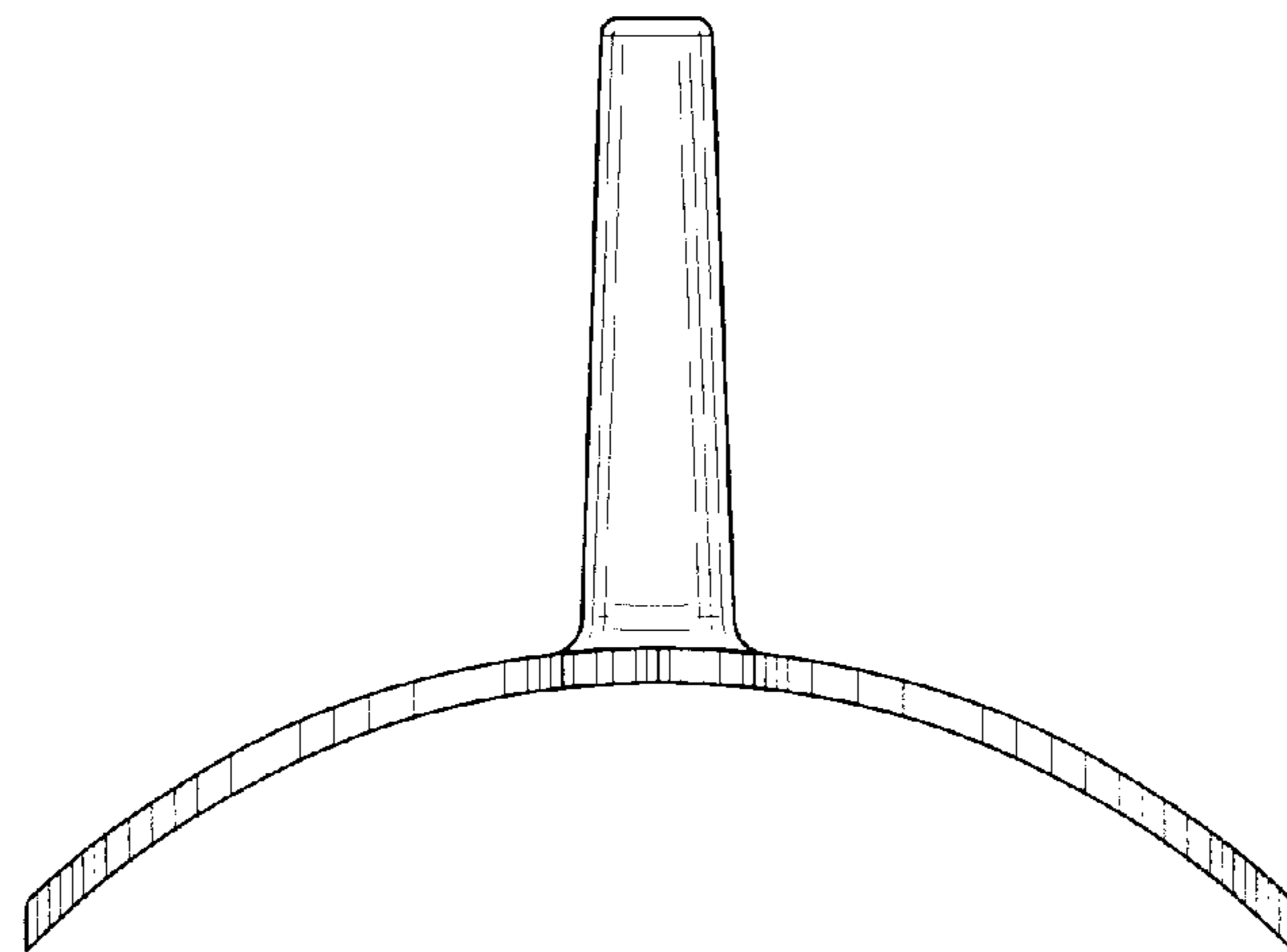


FIG. 8

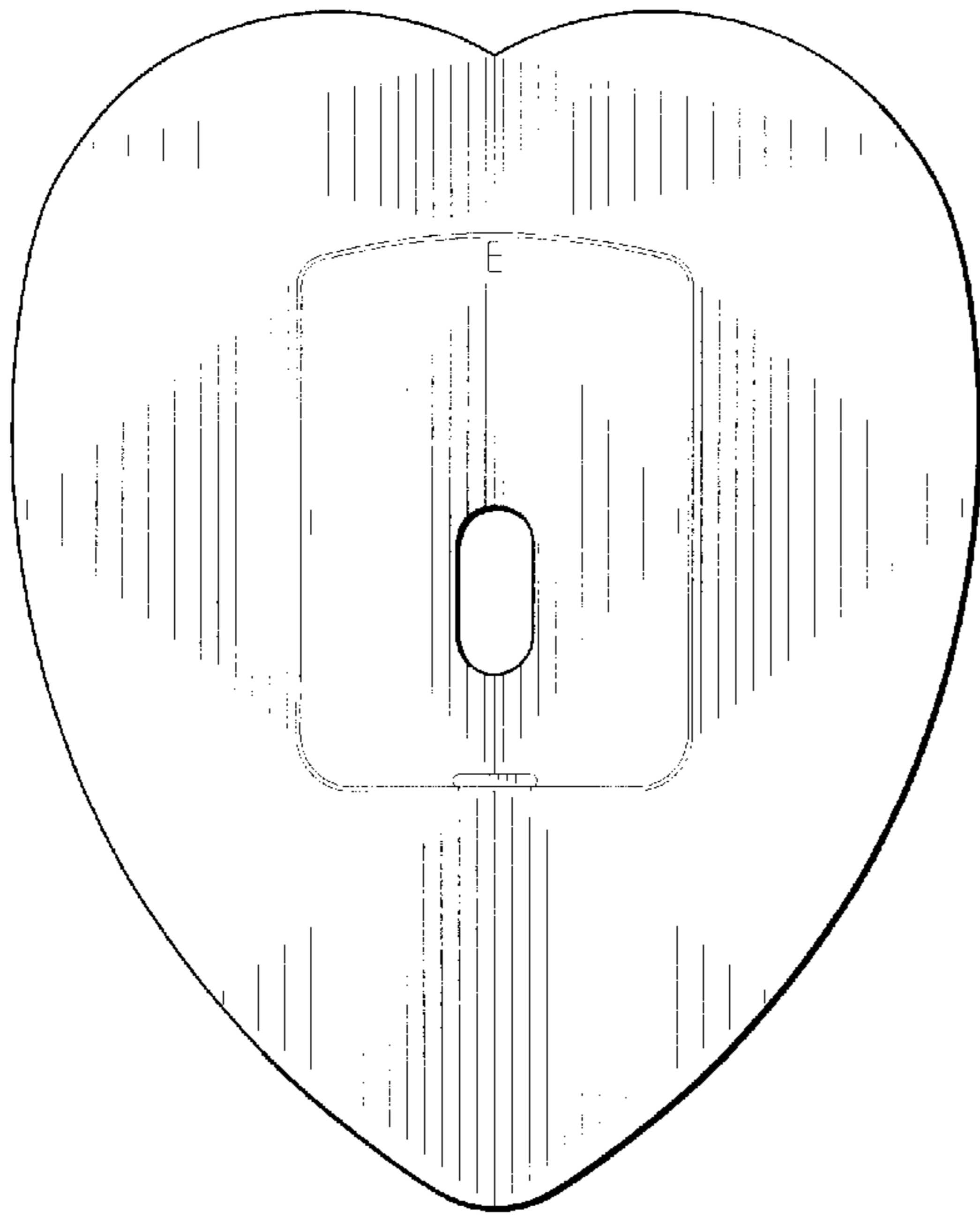


FIG. 9

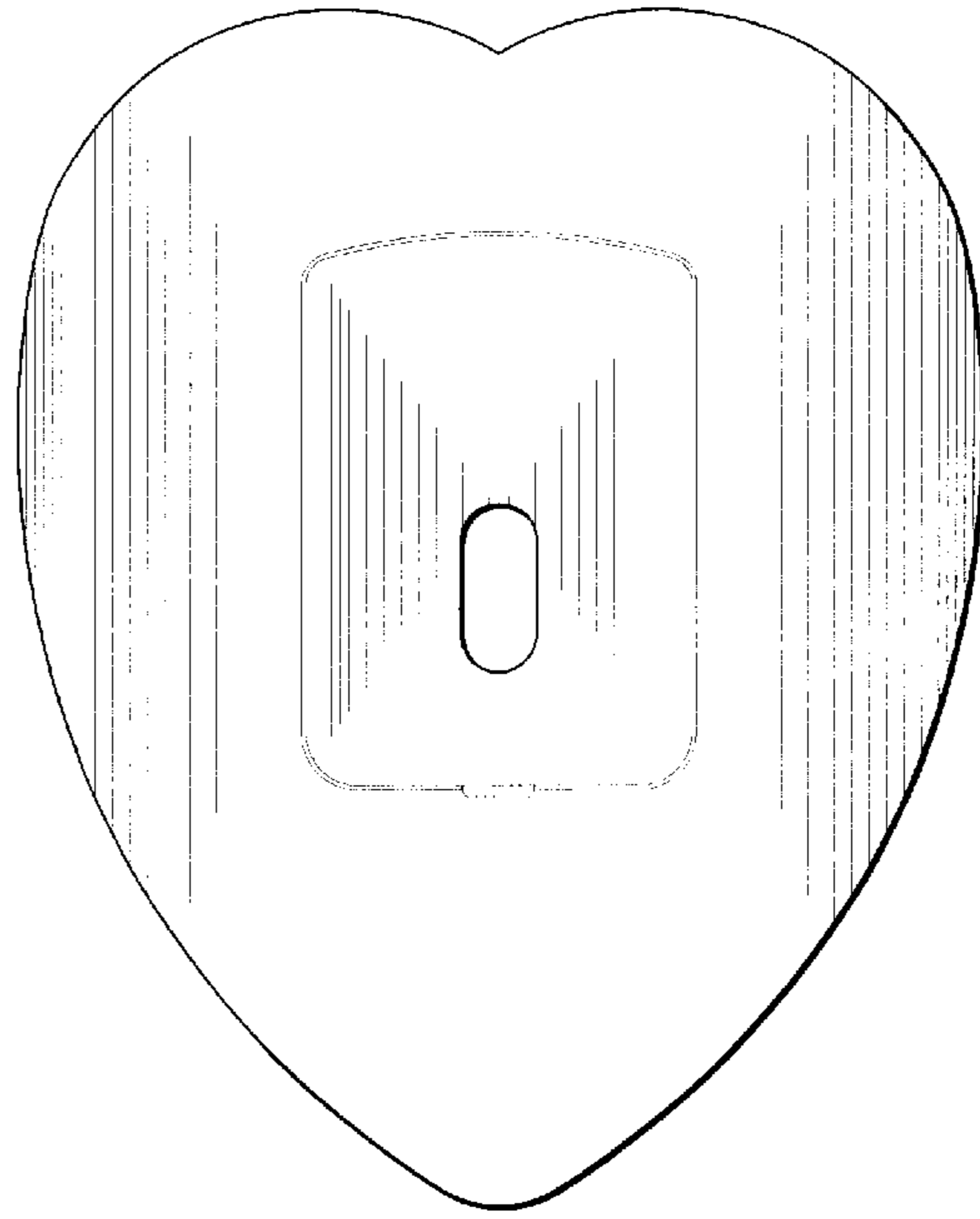


FIG. 10

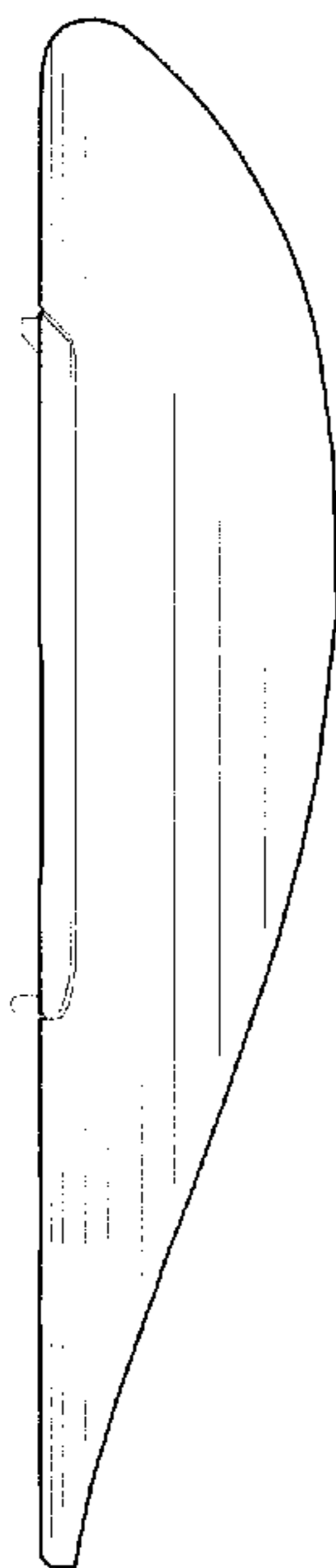


FIG. 11

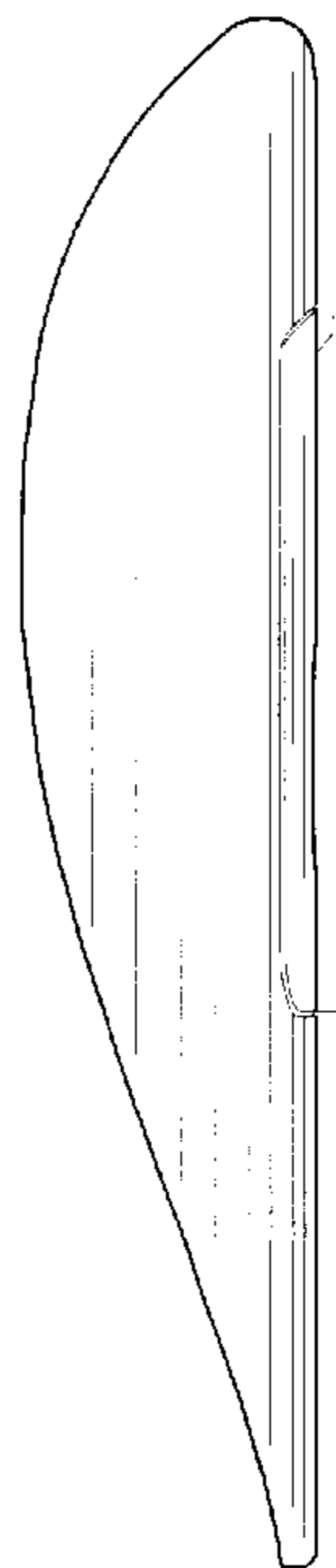


FIG. 12

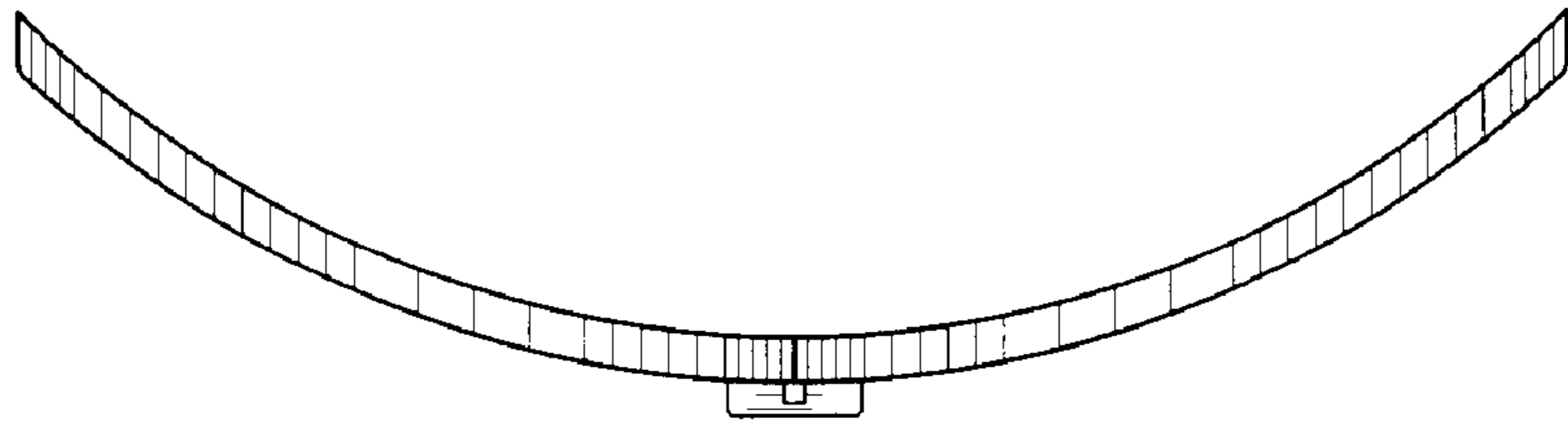


FIG. 13

