

US00D509627S

(12) **United States Design Patent** (10) **Patent No.:** **US D509,627 S**
Willows et al. (45) **Date of Patent:** **** Sep. 13, 2005**

(54) **TORSO/WAIST SLING**

(76) Inventors: **Keith S. Willows**, 1823 12th Ave. W.,
 Seattle, WA (US) 98119; **Antonio C. Del Rosario**, 3265 112th Ave. SE.,
 Bellevue, WA (US) 98004; **June Angus**,
 1823 12th Ave. W., Seattle, WA (US)
 98119

(**) **Term:** **14 Years**

(21) **Appl. No.:** **29/188,887**

(22) **Filed:** **Aug. 26, 2003**

(51) **LOC (8) Cl.** **02-02**

(52) **U.S. Cl.** **D29/101.2; D29/101.3;**
D3/215

(58) **Field of Search** D29/101.1-101.5,
 D29/100, 122; D2/626, 628, 629, 829;
 D3/215, 218, 219, 221, 226; D24/190;
 359/519; 362/108; 182/3; 2/300, 310; 224/576,
 606, 646, 259, 640, 603, 623, 627, 647;
 D10/111

(56) **References Cited**

U.S. PATENT DOCUMENTS

630,157 A * 8/1899 Worth 2/102
 1,310,958 A * 7/1919 O'Connor 297/484
 3,089,143 A * 5/1963 Jacobson 2/1
 4,479,267 A * 10/1984 Radowsky, Jr. 2/337
 4,534,619 A * 8/1985 Bedford 359/519
 4,764,962 A * 8/1988 Ekman et al. 381/301
 D342,348 S * 12/1993 Panarelli D29/101.1
 D346,482 S * 5/1994 Merrill D2/627
 5,477,998 A * 12/1995 Reckler 224/586
 5,624,065 A * 4/1997 Steffe 224/625

D387,499 S * 12/1997 Schmidt D29/101.1
 D422,931 S * 4/2000 Agnew D10/111
 D435,168 S * 12/2000 Momburg D3/215
 6,345,751 B1 * 2/2002 Elliot 224/646
 6,527,082 B1 * 3/2003 Taylor 182/3
 6,626,131 B2 * 9/2003 Moulton, III 119/770

* cited by examiner

Primary Examiner—Lucy Lieberman

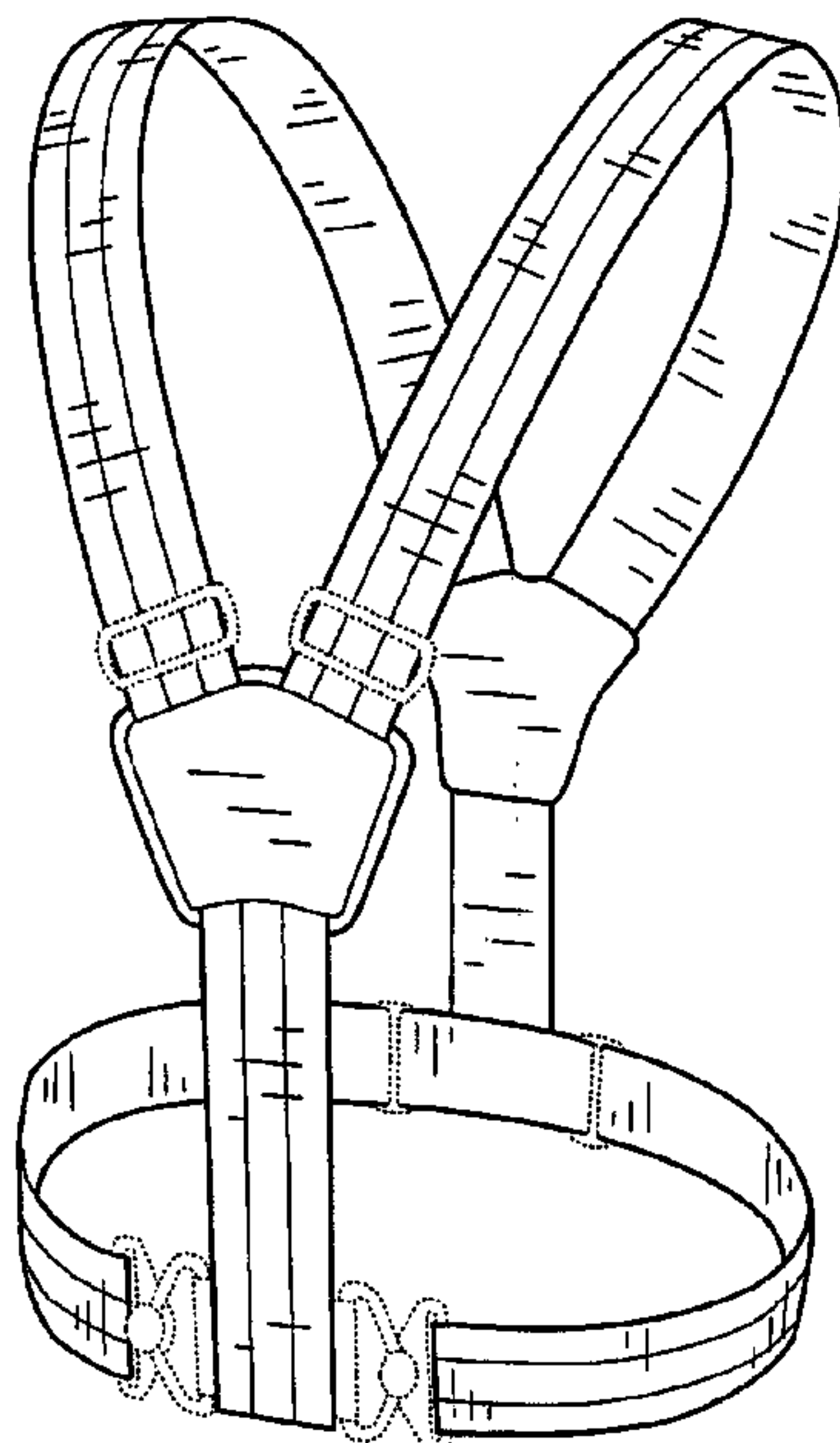
(57) **CLAIM**

The ornamental design for a “torso/waist sling”, as shown and described.

DESCRIPTION

FIG. 1 is a front elevation of a torso/waist sling showing a first embodiment of our new design;
 FIG. 2 is a rear elevation thereof;
 FIG. 3 is a top plan view thereof;
 FIG. 4 is a bottom plan view thereof;
 FIG. 5 is a side elevation thereof, the opposite side elevation is a mirror image of FIG. 5;
 FIG. 6 is a perspective view thereof;
 FIG. 7 is a front elevation of a second embodiment of the torso/waist sling;
 FIG. 8 is a rear elevation of the second embodiment;
 FIG. 9 is a top plan view of the second embodiment;
 FIG. 10 is a bottom plan view of the second embodiment;
 and,
 FIG. 11 is a side elevation of the second embodiment, the opposite side is a mirror image of FIG. 11.
 The broken lines in the drawings are for illustrative purposes only and form no part of the claimed design. Some of the views are shown drawn on different scales.

1 Claim, 5 Drawing Sheets



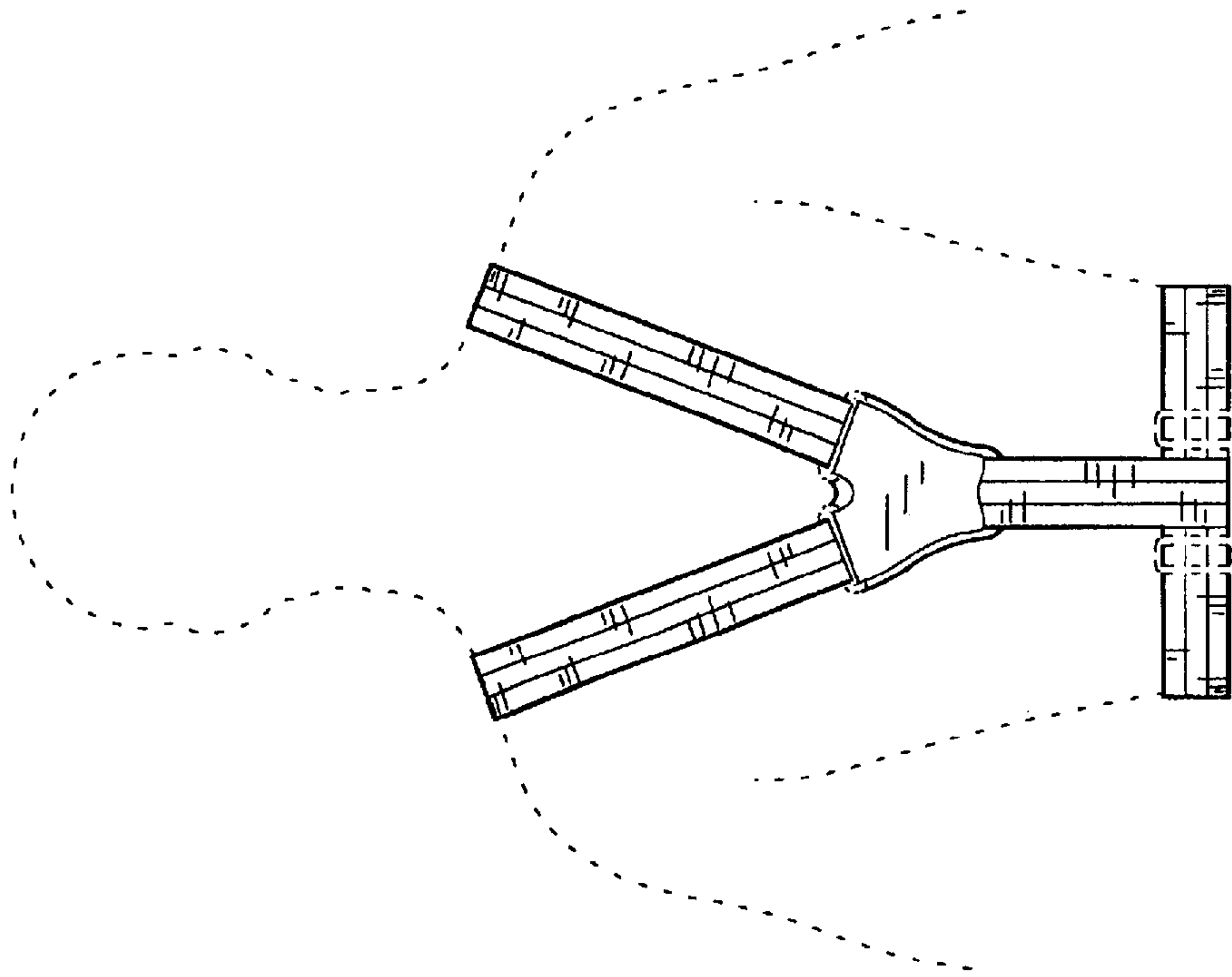


FIG. 2

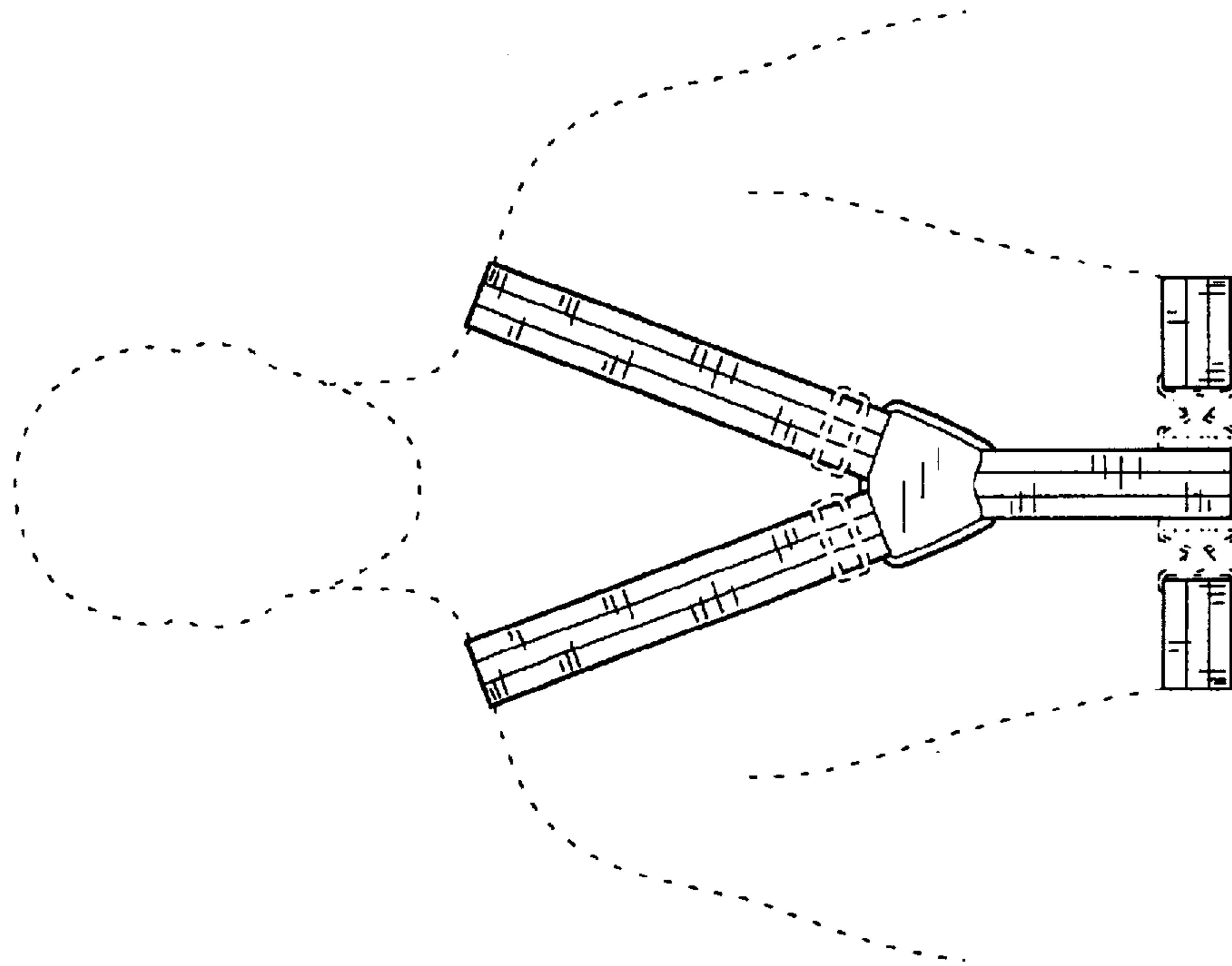


FIG. 1

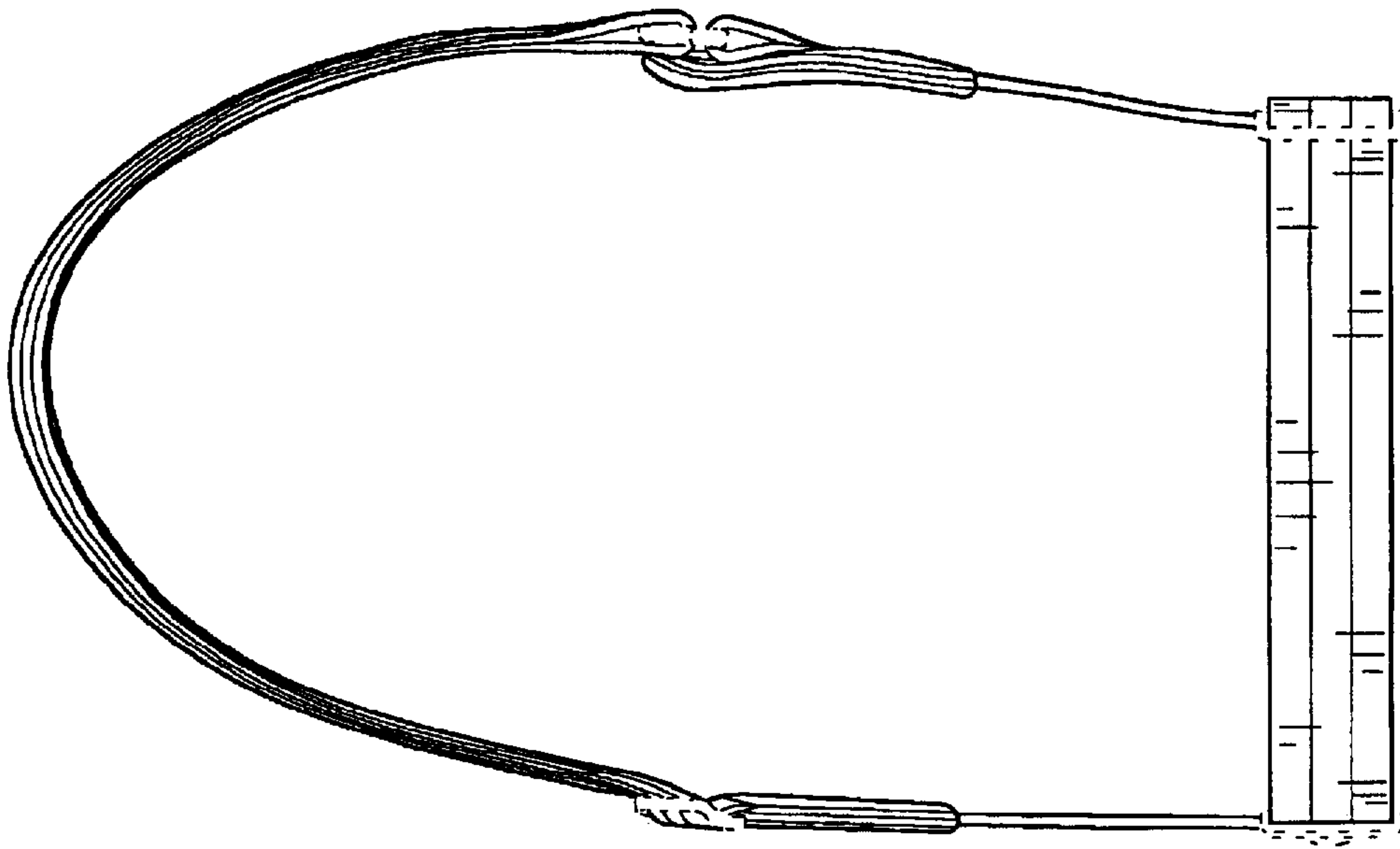


FIG. 5

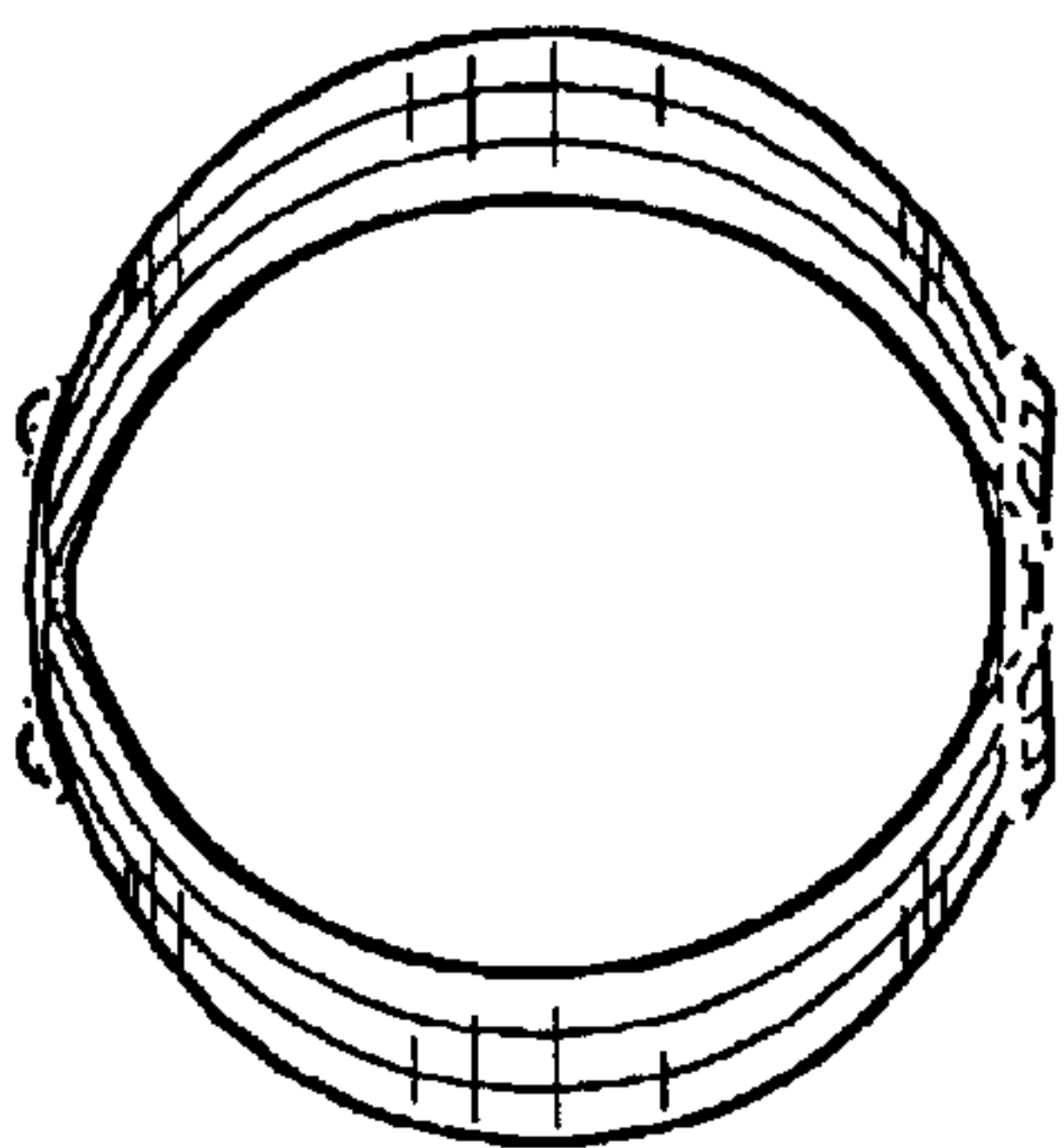


FIG. 3

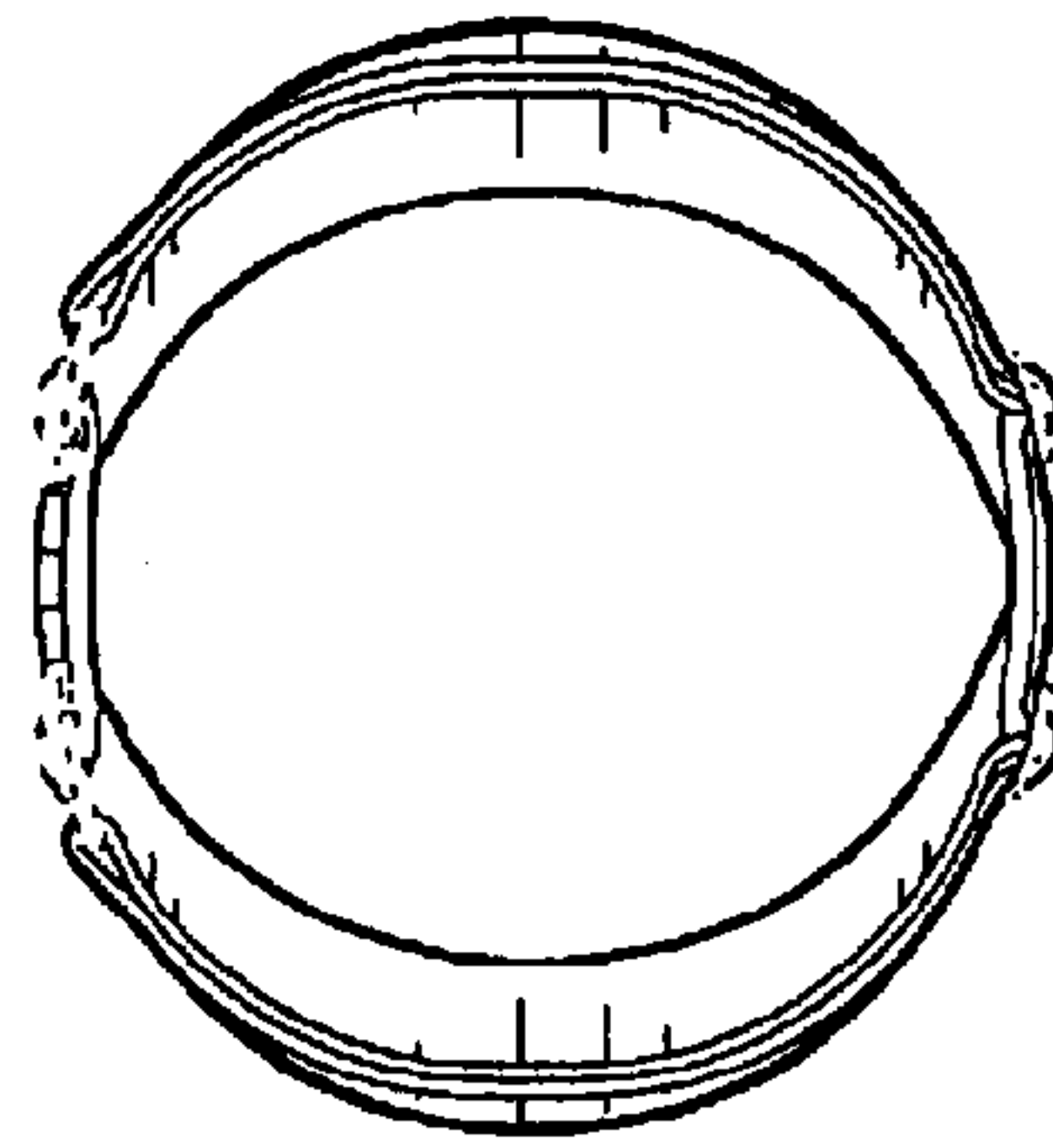


FIG. 4

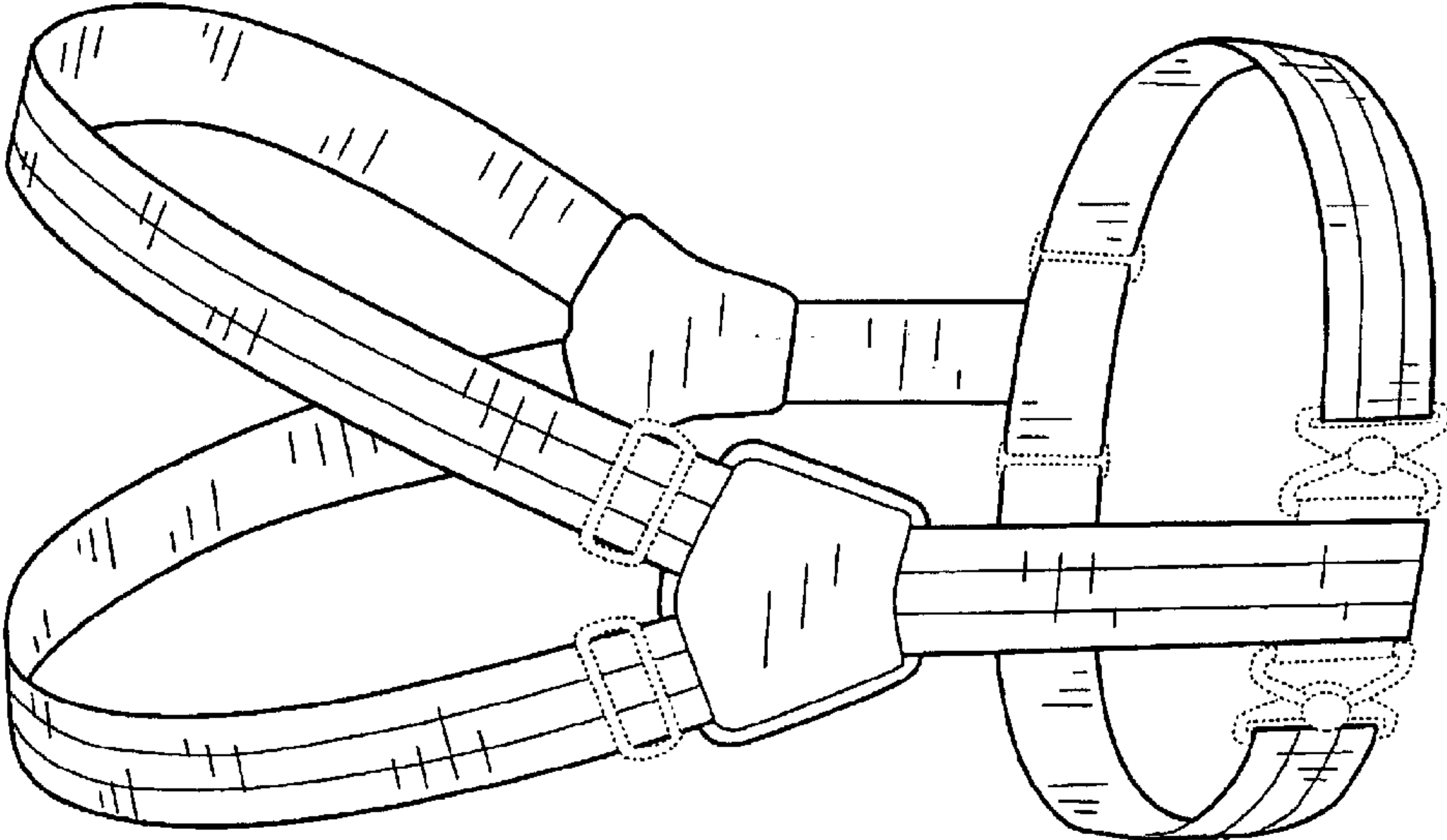


FIG. 6

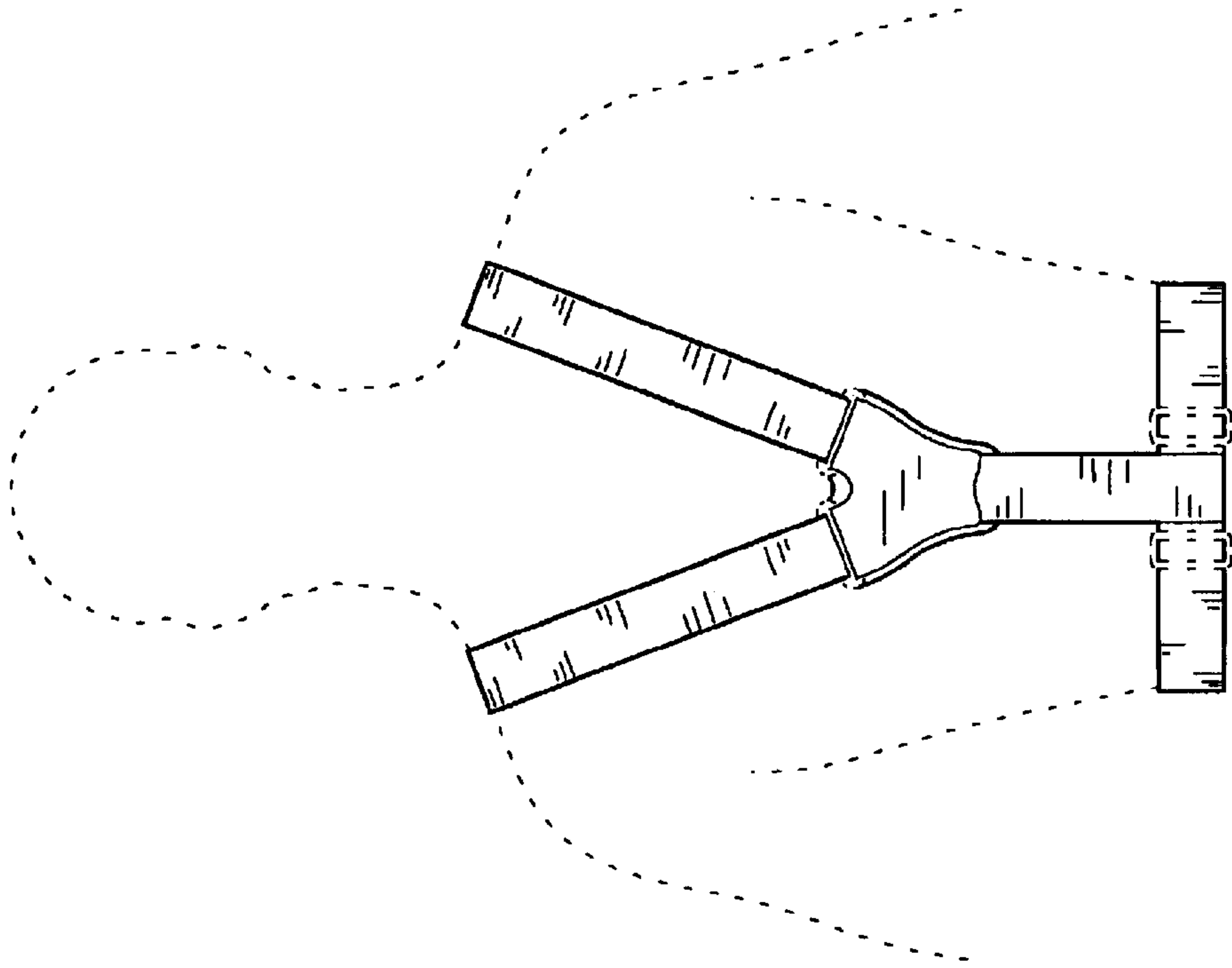


FIG. 8

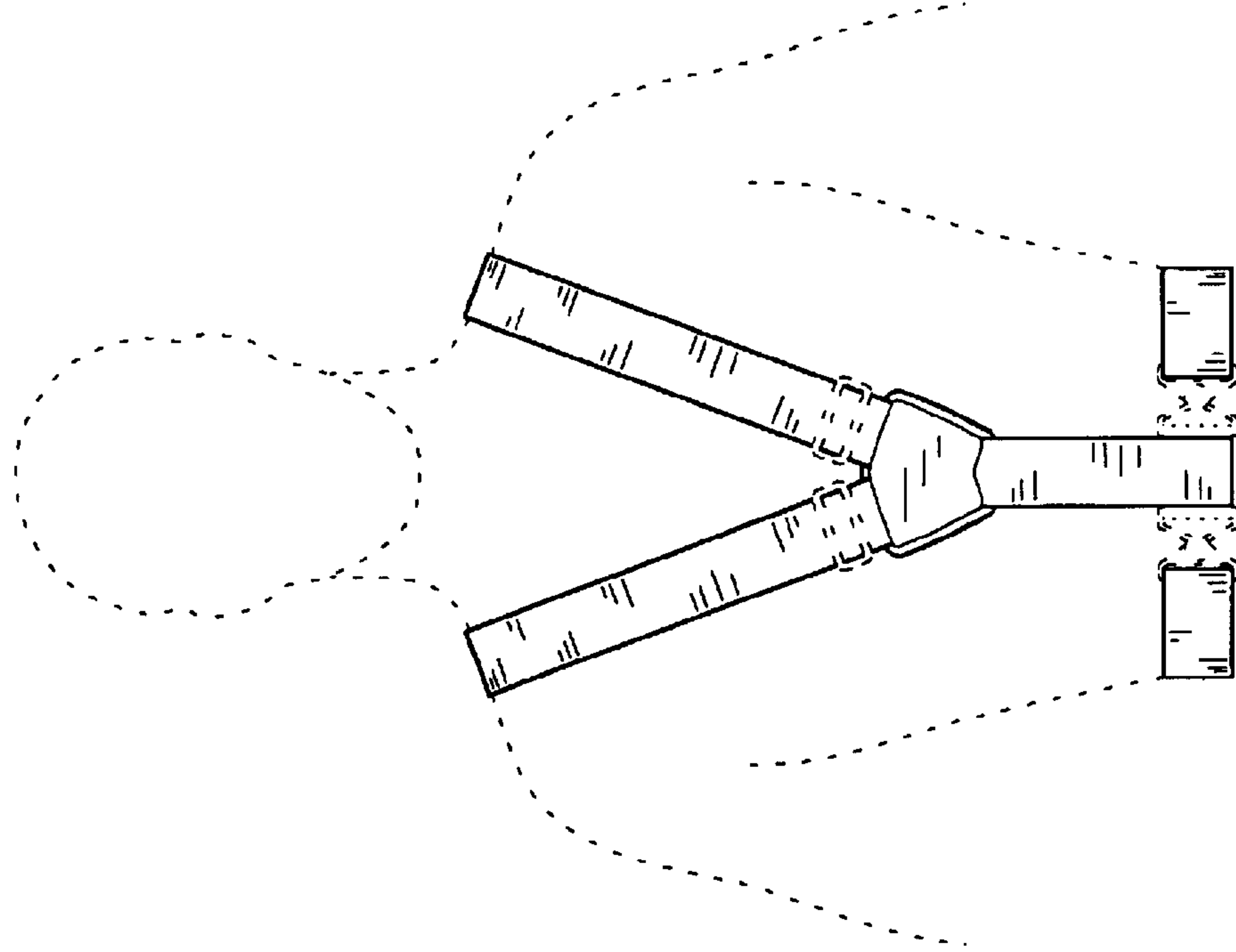


FIG. 7

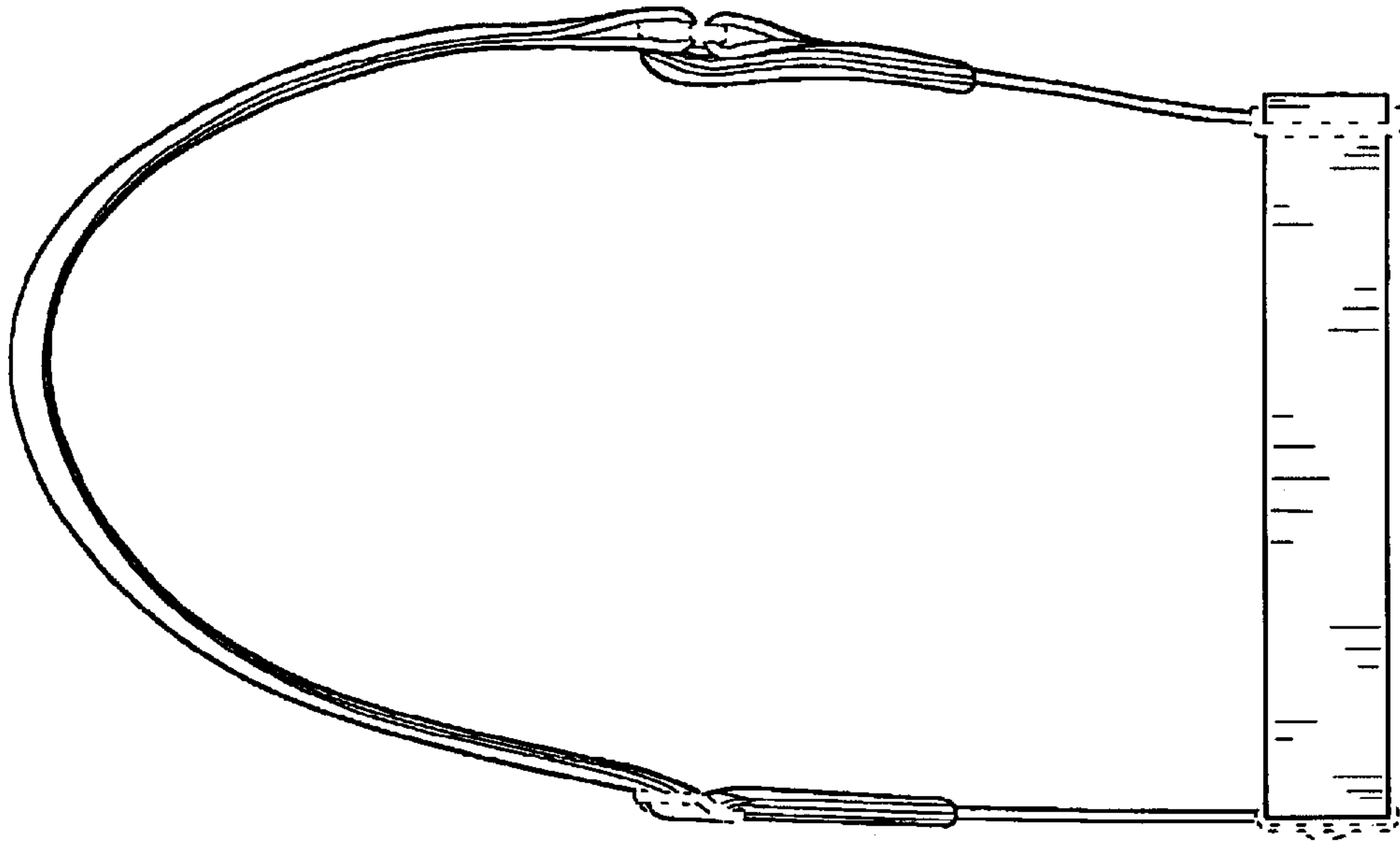


FIG. 11

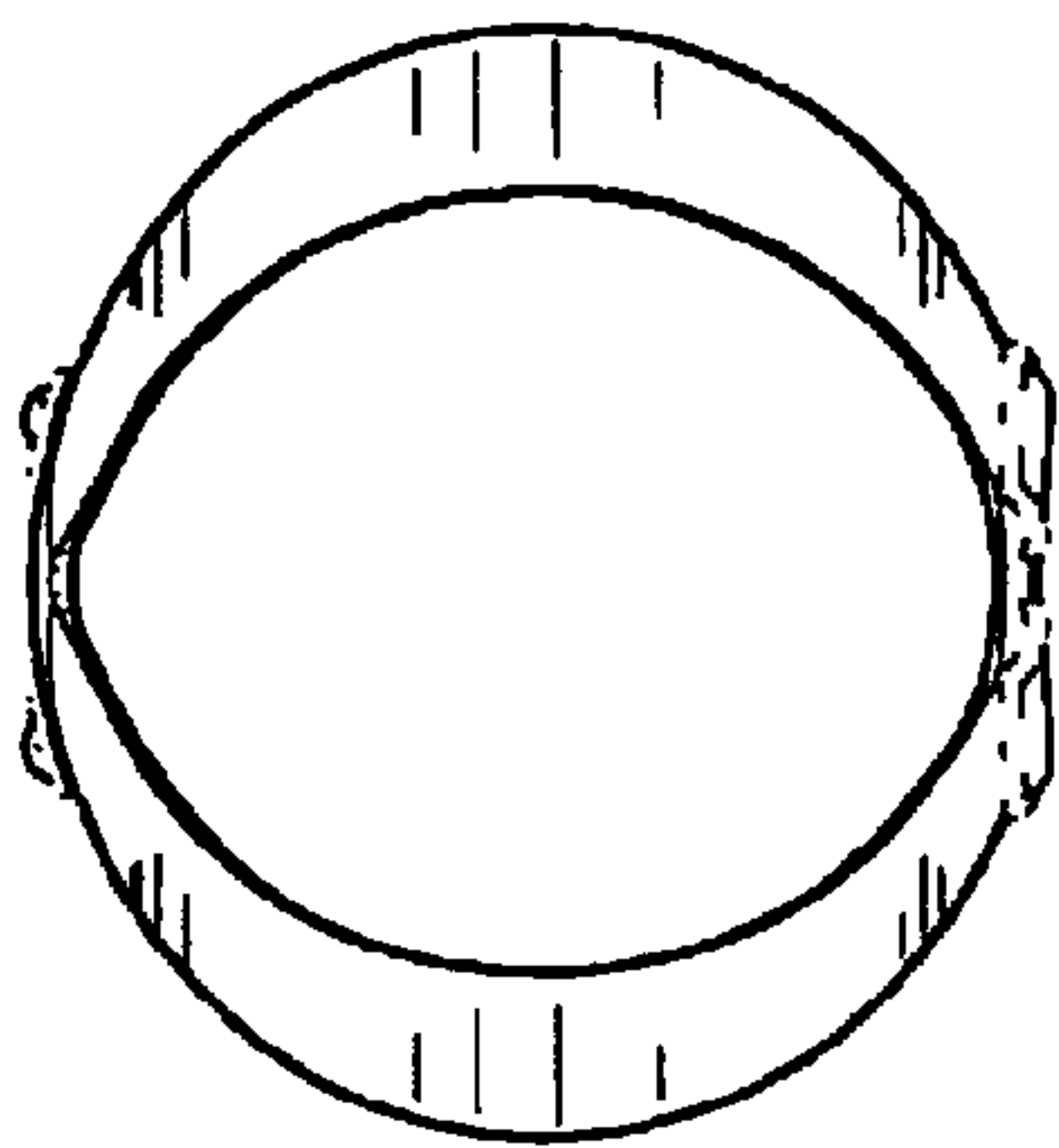


FIG. 9

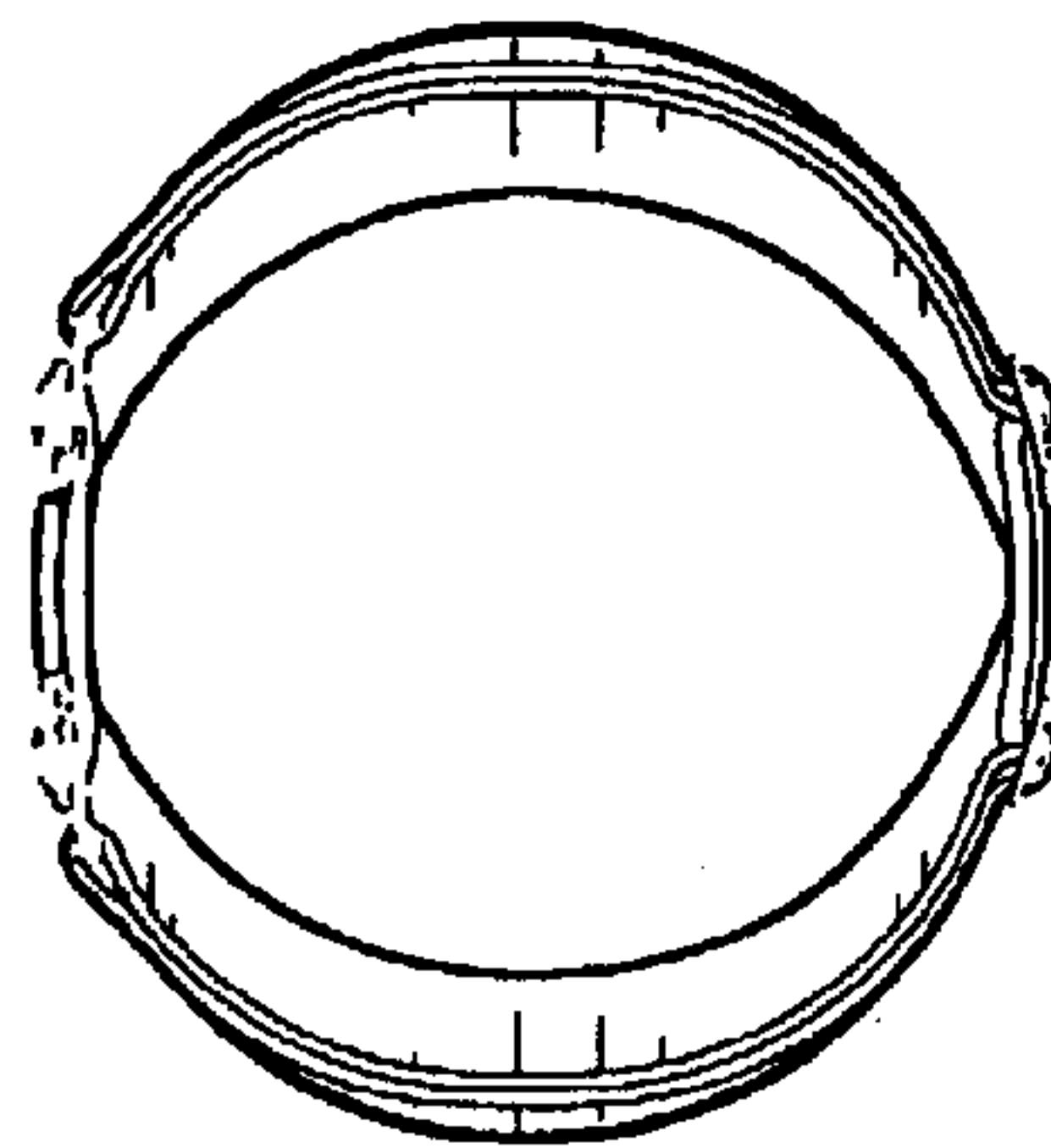


FIG. 10