

US00D509622S

(12) **United States Design Patent**
Smith

(10) **Patent No.:** **US D509,622 S**

(45) **Date of Patent:** **** Sep. 13, 2005**

(54) **LIGHTER**

D492,064 S * 6/2004 Fritz D27/157

(75) **Inventor:** **Andrew D. Smith**, Pascoag, RI (US)

* cited by examiner

(73) **Assignee:** **Colibri Corporation**, Providence, RI (US)

Primary Examiner—Jennifer Rivard

(74) *Attorney, Agent, or Firm*—Salter & Michaelson

(**) **Term:** **14 Years**

(57) **CLAIM**

The ornamental design for a lighter, as shown and described.

(21) **Appl. No.:** **29/221,344**

DESCRIPTION

(22) **Filed:** **Jan. 13, 2005**

(51) **LOC (8) Cl.** **27-05**

(52) **U.S. Cl.** **D27/157**

(58) **Field of Search** D27/141–143,
D27/152–161; 431/151, 153, 253–255,
273–277; 131/248, 249

FIG. 1 is a perspective view of a lighter showing my new design;

FIG. 2 is a front elevational view thereof;

FIG. 3 is a rear elevational view thereof;

FIG. 4 is a top plan view thereof;

FIG. 5 is a bottom plan view thereof;

FIG. 6 is a left side elevational view thereof;

FIG. 7 is a right side elevational view thereof; and,

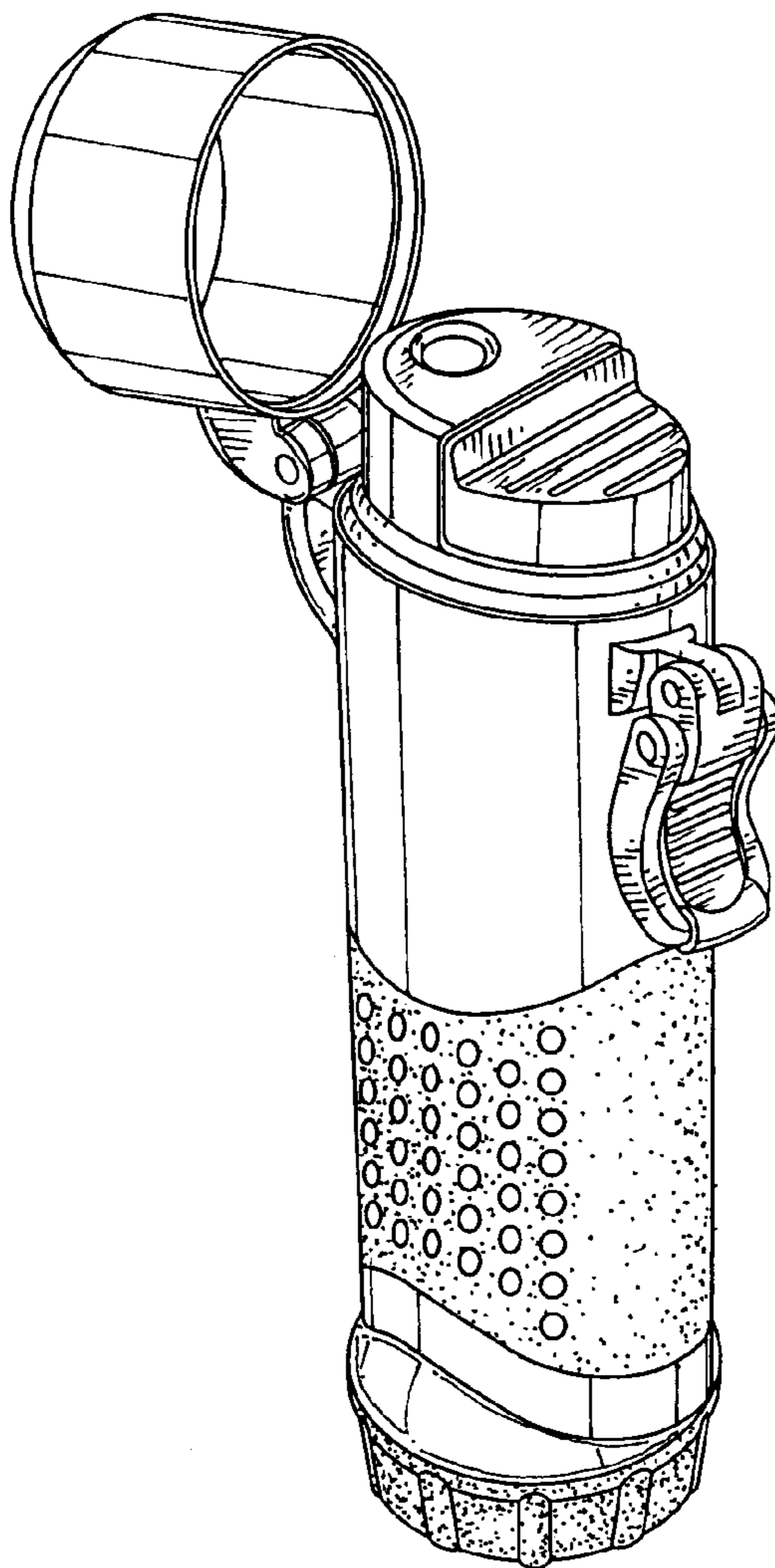
FIG. 8 is a perspective view thereof, with the cover in its opened position.

(56) **References Cited**

U.S. PATENT DOCUMENTS

D465,880 S * 11/2002 Smith D27/157

1 Claim, 4 Drawing Sheets



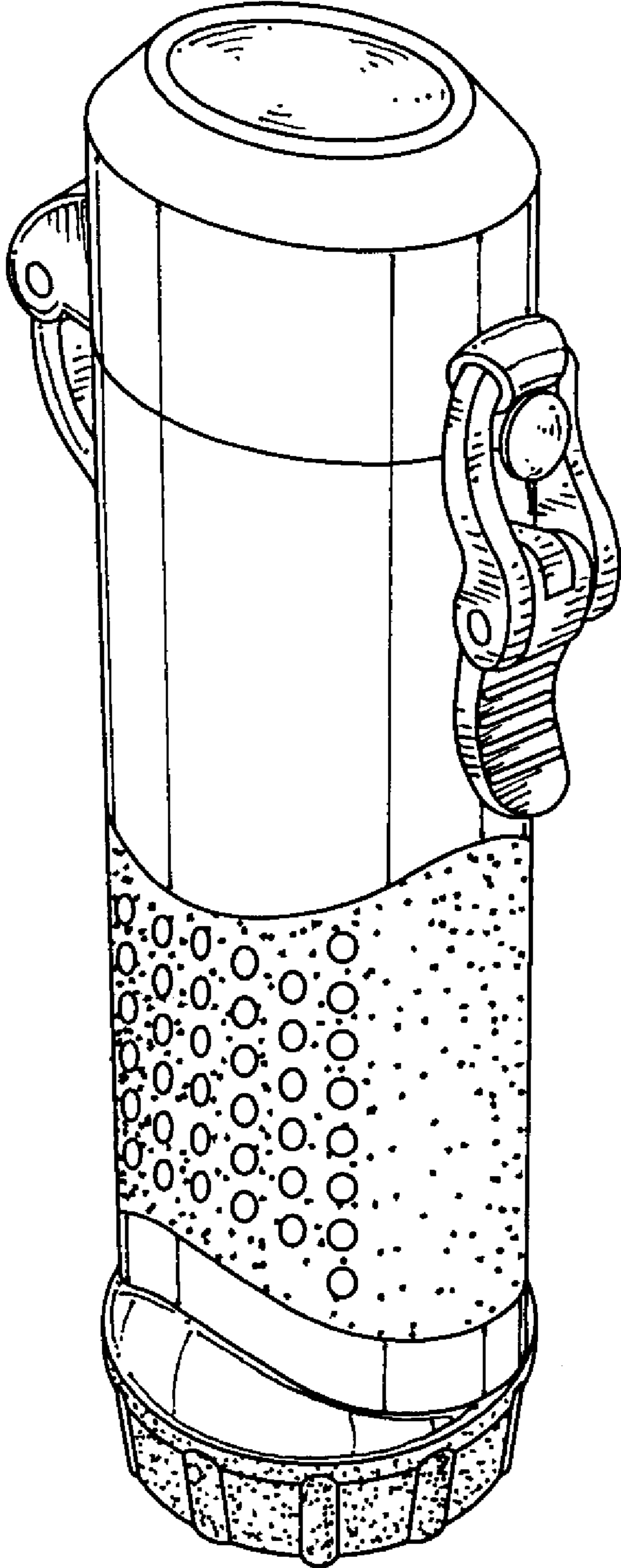


FIG. 1

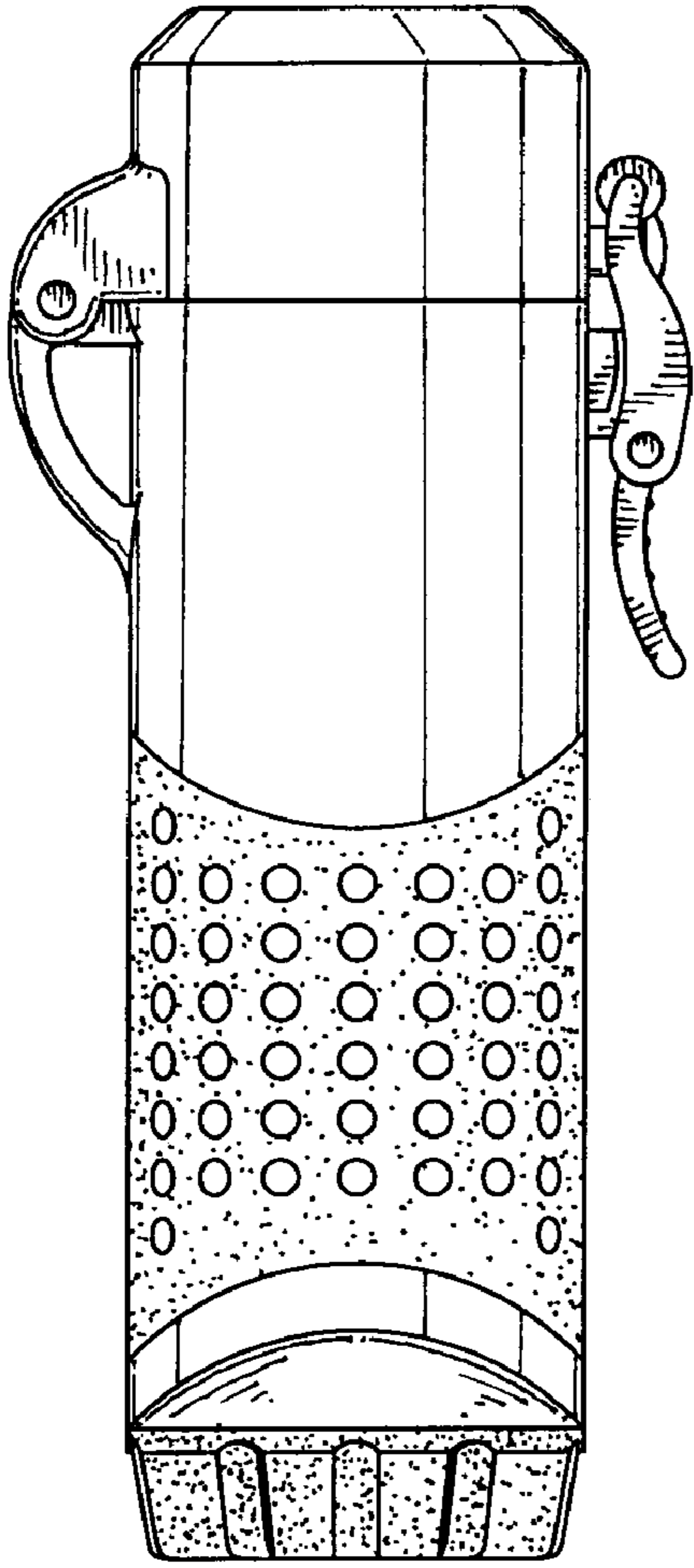


FIG. 2

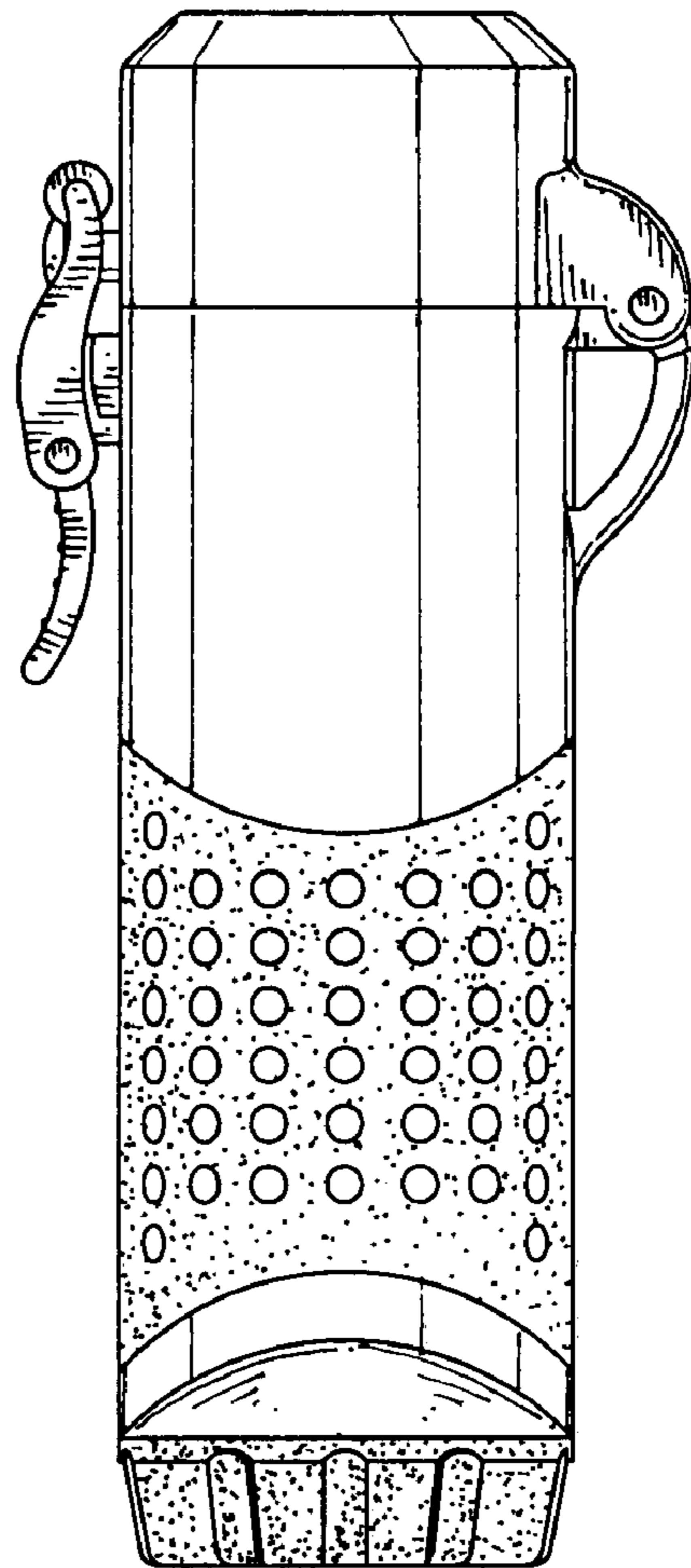


FIG. 3

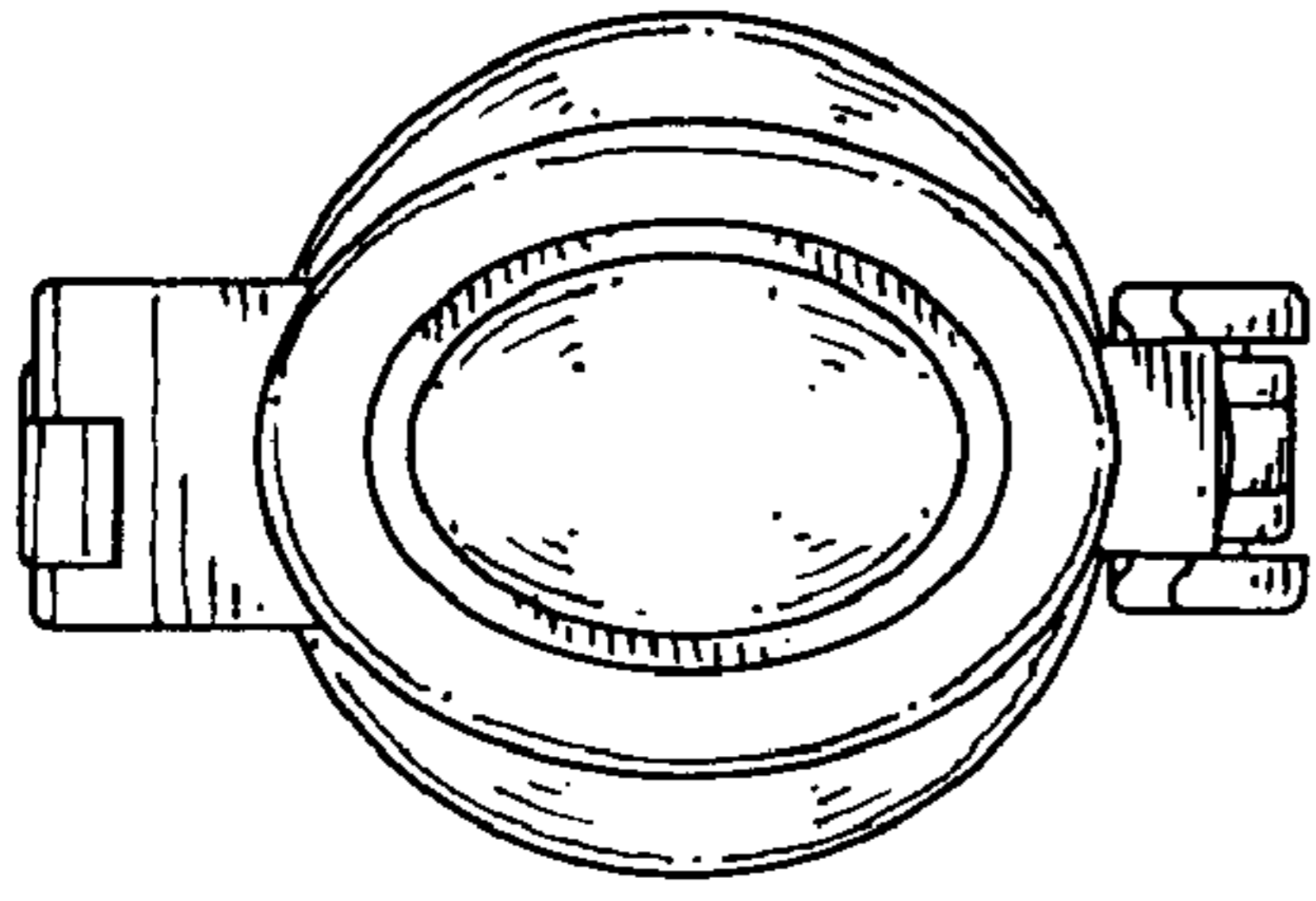


FIG. 4

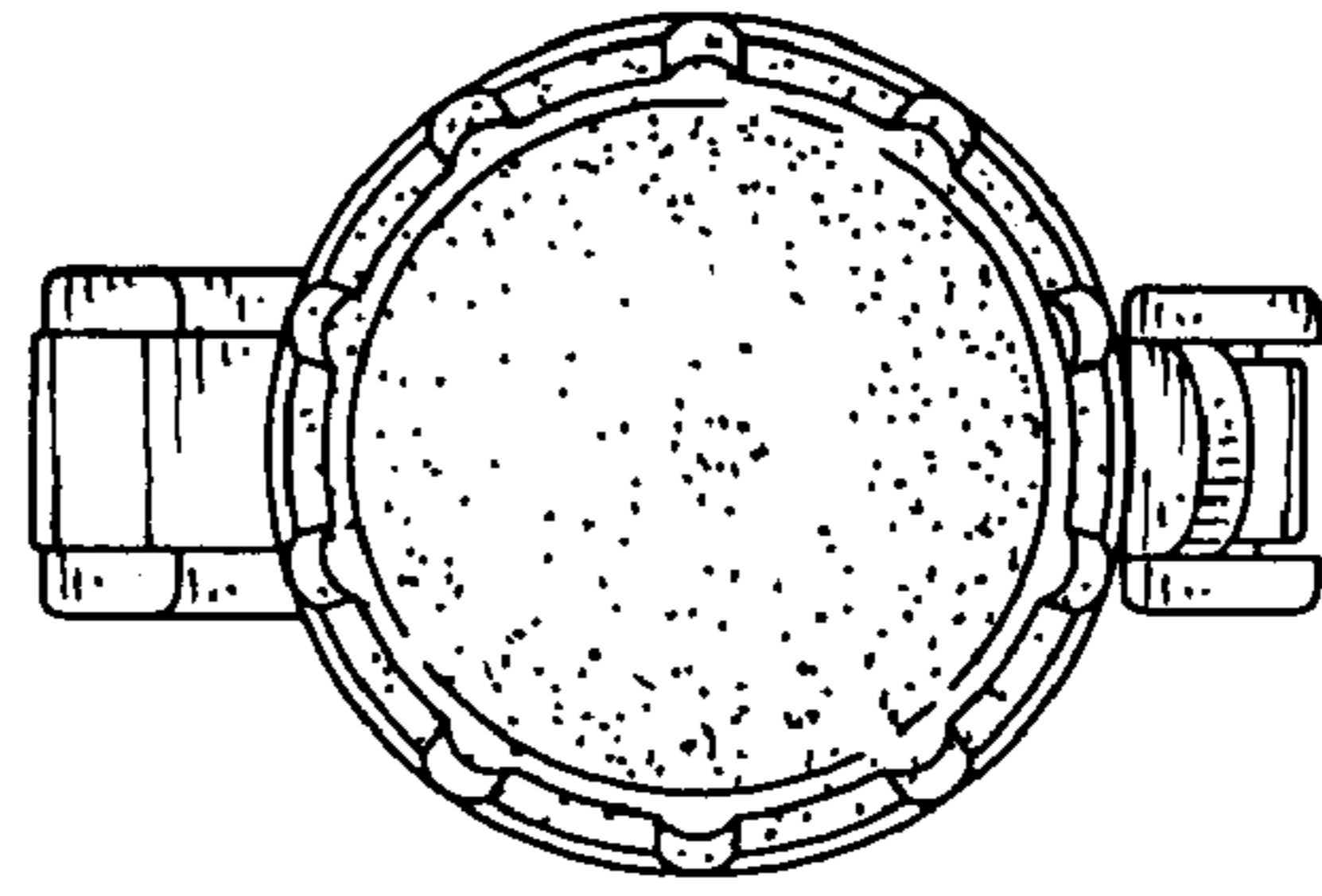


FIG. 5

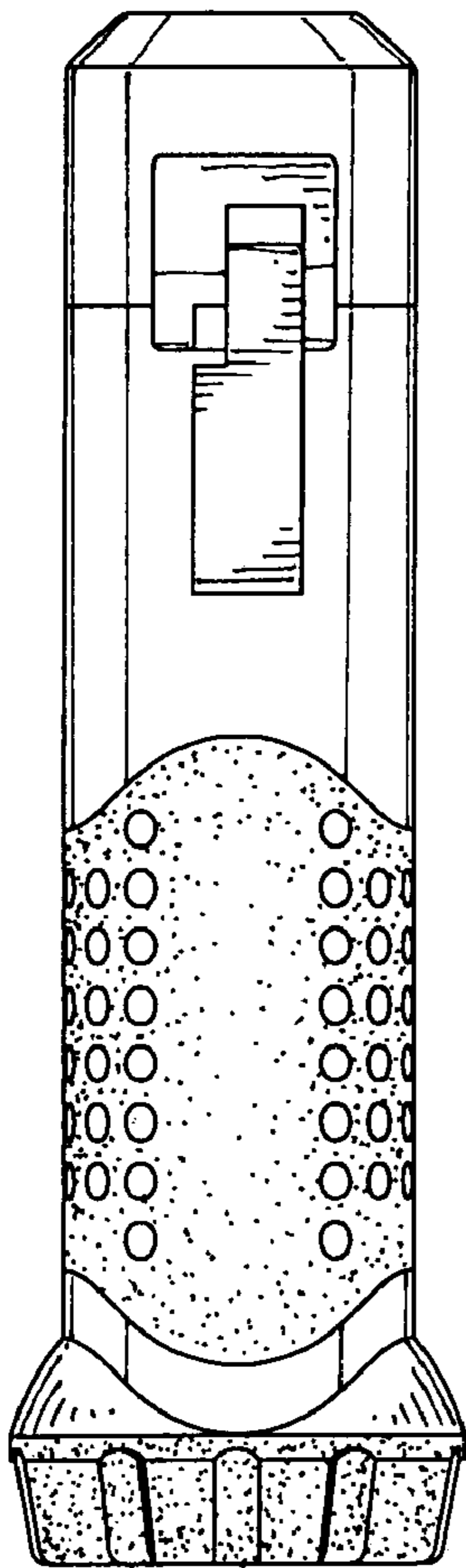


FIG. 6

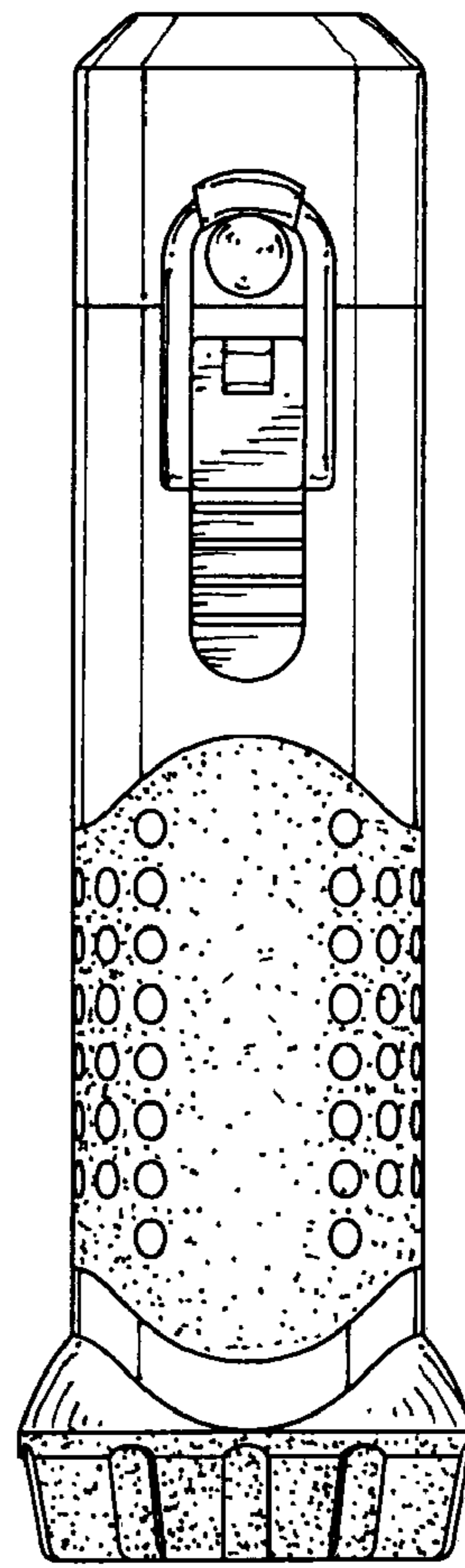


FIG. 7

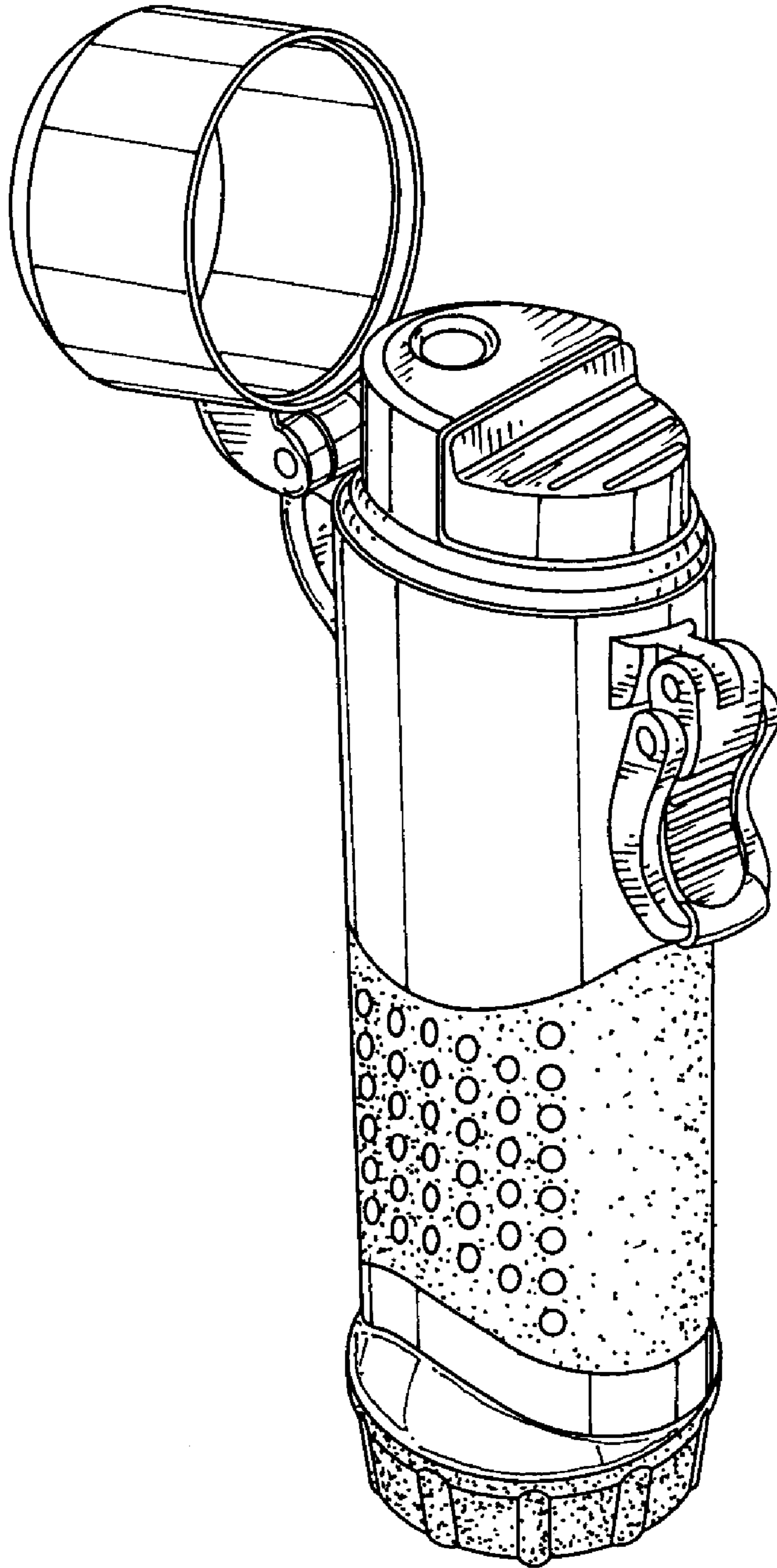


FIG. 8