

US00D509618S

(12) **United States Design Patent** (10) **Patent No.:** **US D509,618 S**
Baarman et al. (45) **Date of Patent:** **** Sep. 13, 2005**

(54) **LAMP**

(75) Inventors: **David W. Baarman**, Fennville, MI (US); **Stephen J. McPhilliamy**, Chicago, IL (US); **Christopher B. Houghton**, Chicago, IL (US)

(73) Assignee: **Access Business Group International LLC**, Ada, MI (US)

(**) Term: **14 Years**

(21) Appl. No.: **29/201,023**

(22) Filed: **Mar. 9, 2004**

(51) **LOC (8) Cl.** **26-03**

(52) **U.S. Cl.** **D26/106**

(58) **Field of Search** D26/51, 61, 93-112; 362/20, 410-415, 565, 33, 97, 109, 183, 194, 195, 30, 277, 285, 806; 320/115

(56) **References Cited**

U.S. PATENT DOCUMENTS

D74,629 S	3/1928	Salterini	
D129,636 S	9/1941	Dreyfuss	
D245,285 S	8/1977	Whitesel	
5,402,700 A	4/1995	Cohen	
D364,241 S	* 11/1995	Jaynes D26/106
D383,242 S	9/1997	Reese	
5,744,736 A	4/1998	Chang	
D404,671 S	1/1999	Stannard	
D411,632 S	6/1999	Lin	
D442,302 S	5/2001	Hsu	
D443,382 S	6/2001	Vong et al.	
D443,704 S	6/2001	Lin	
D445,525 S	7/2001	Pan	
D456,913 S	5/2002	Liu	

D476,094 S	6/2003	Baarman et al.
D476,095 S	6/2003	Baarman et al.
D476,752 S	7/2003	Baarman et al.
D478,834 S	8/2003	Baarman et al.
D479,356 S	9/2003	Baarman et al.
D479,892 S	9/2003	Baarman et al.
D479,893 S	9/2003	Baarman et al.
D484,635 S	12/2003	Baarman et al.
D485,638 S	1/2004	Baarman et al.

* cited by examiner

Primary Examiner—Alan P. Douglas

Assistant Examiner—Linda Brooks

(74) *Attorney, Agent, or Firm*—Warner Norcross & Judd

(57) **CLAIM**

The ornamental design for a lamp, as shown and described.

DESCRIPTION

FIG. 1 is a perspective view of the lamp embodying the new design;

FIG. 2 is a perspective view of another environment of the lamp;

FIG. 3 is a front elevational view thereof;

FIG. 4 is a rear elevational view thereof;

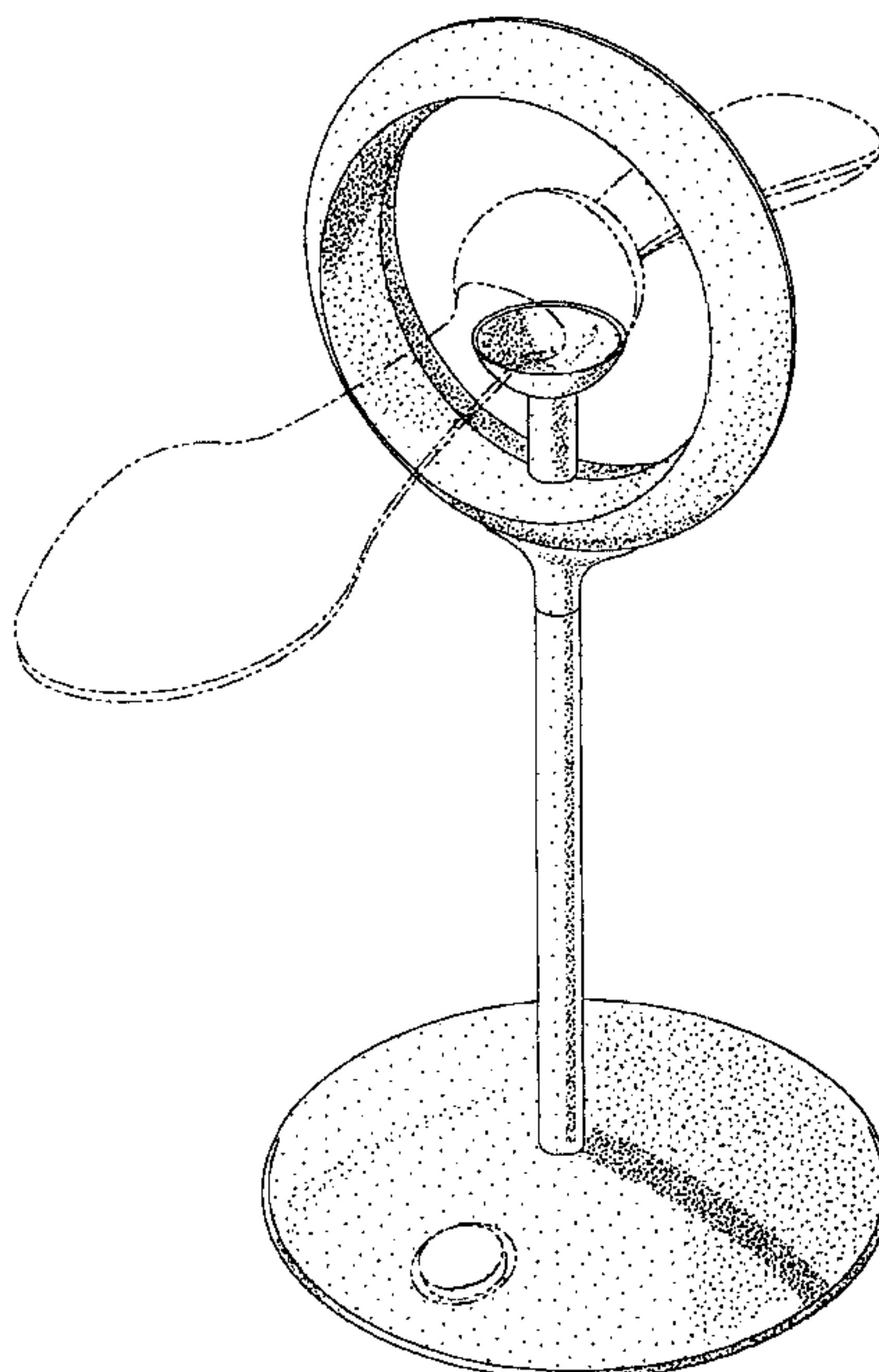
FIG. 5 is a left side elevational view, the right side being a mirror image thereof;

FIG. 6 is a top plan view thereof; and,

FIG. 7 is a bottom plan view thereof.

FIGS. 1-7 show portions of a lamp in broken lines. The broken lines immediately adjacent the shaded areas represent the boundaries of the claimed design and form no part thereof, while the other broken lines are shown for environmental purposes and do not form any part of the claimed design.

1 Claim, 6 Drawing Sheets



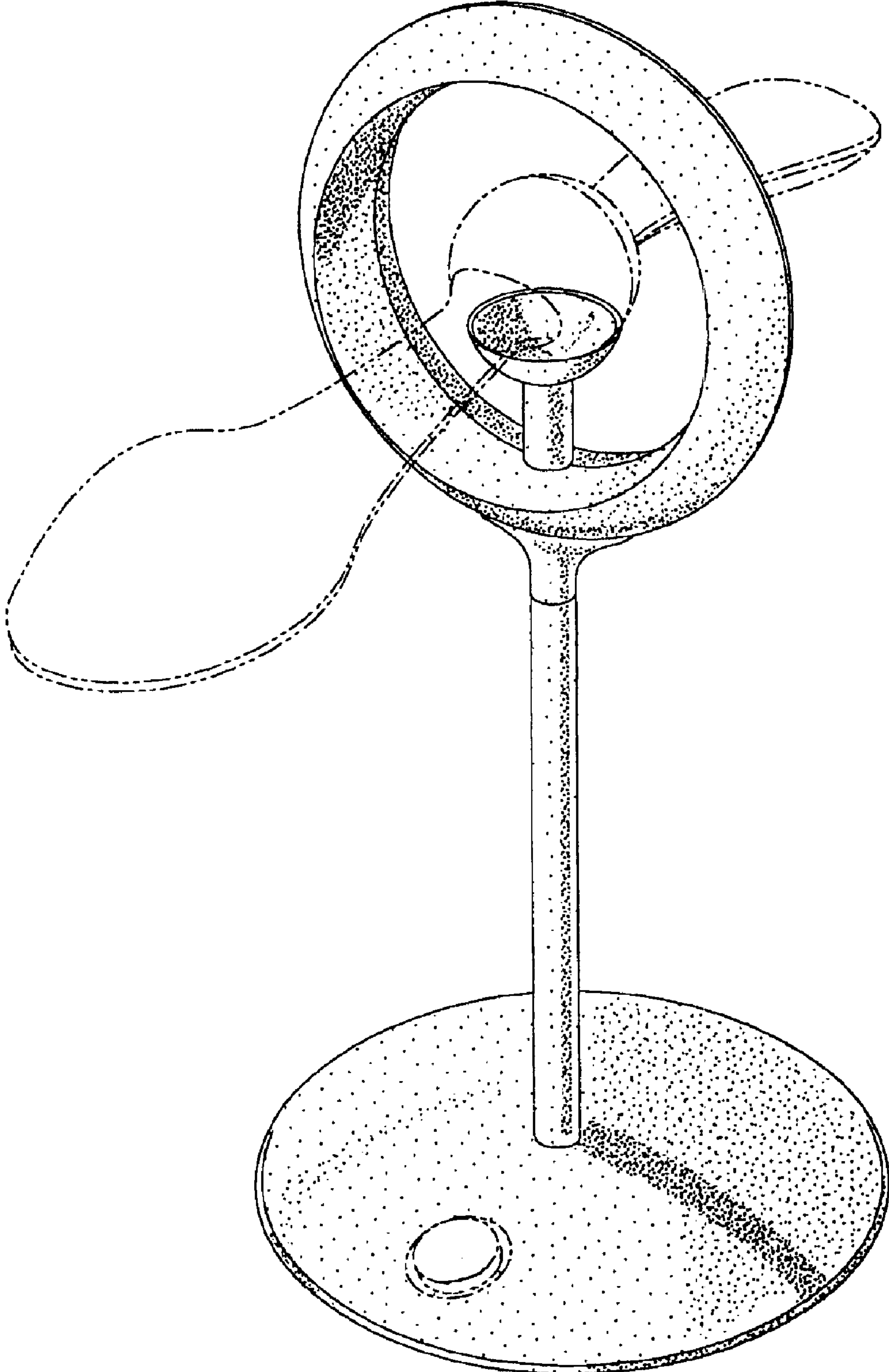


Fig. 1

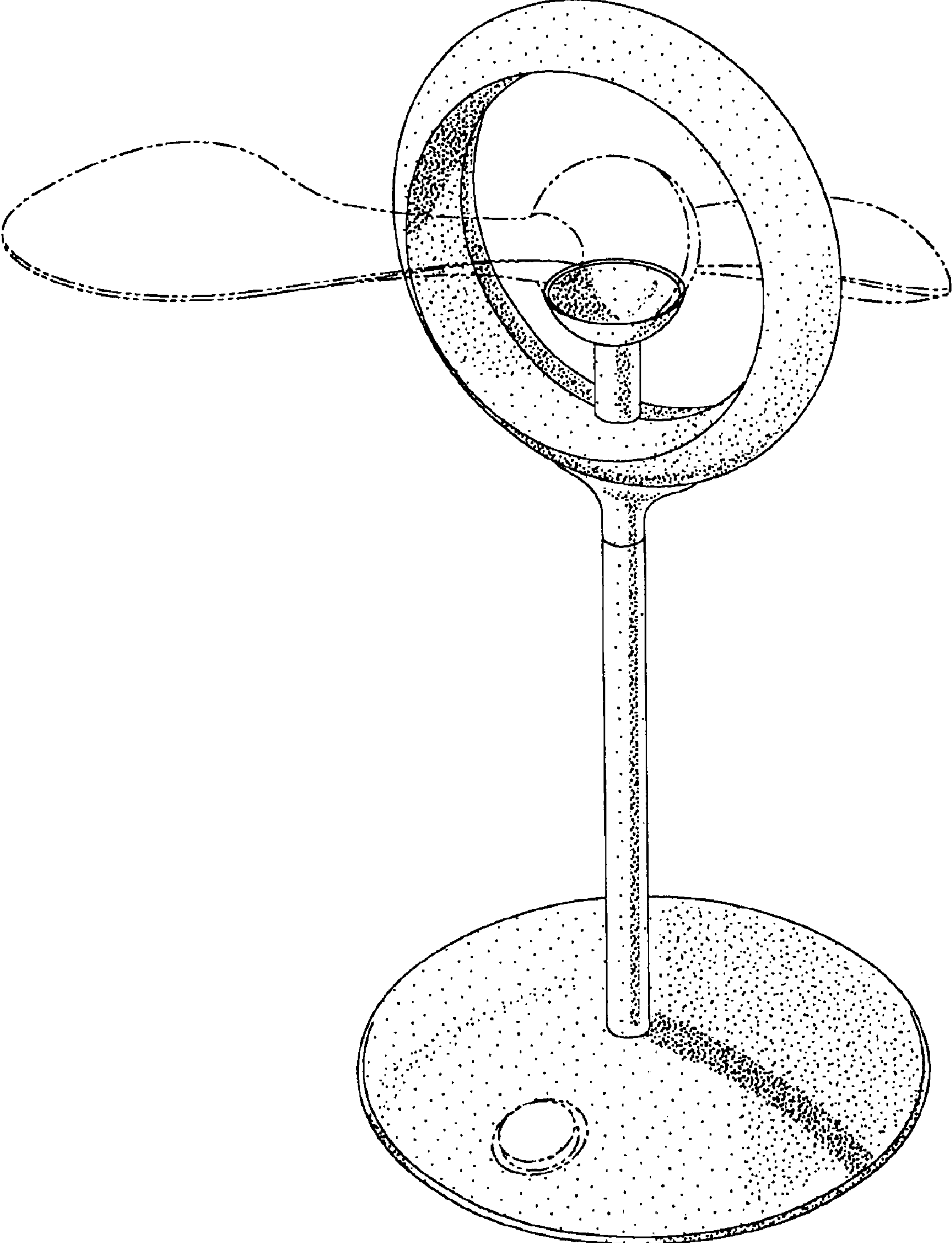


Fig. 2

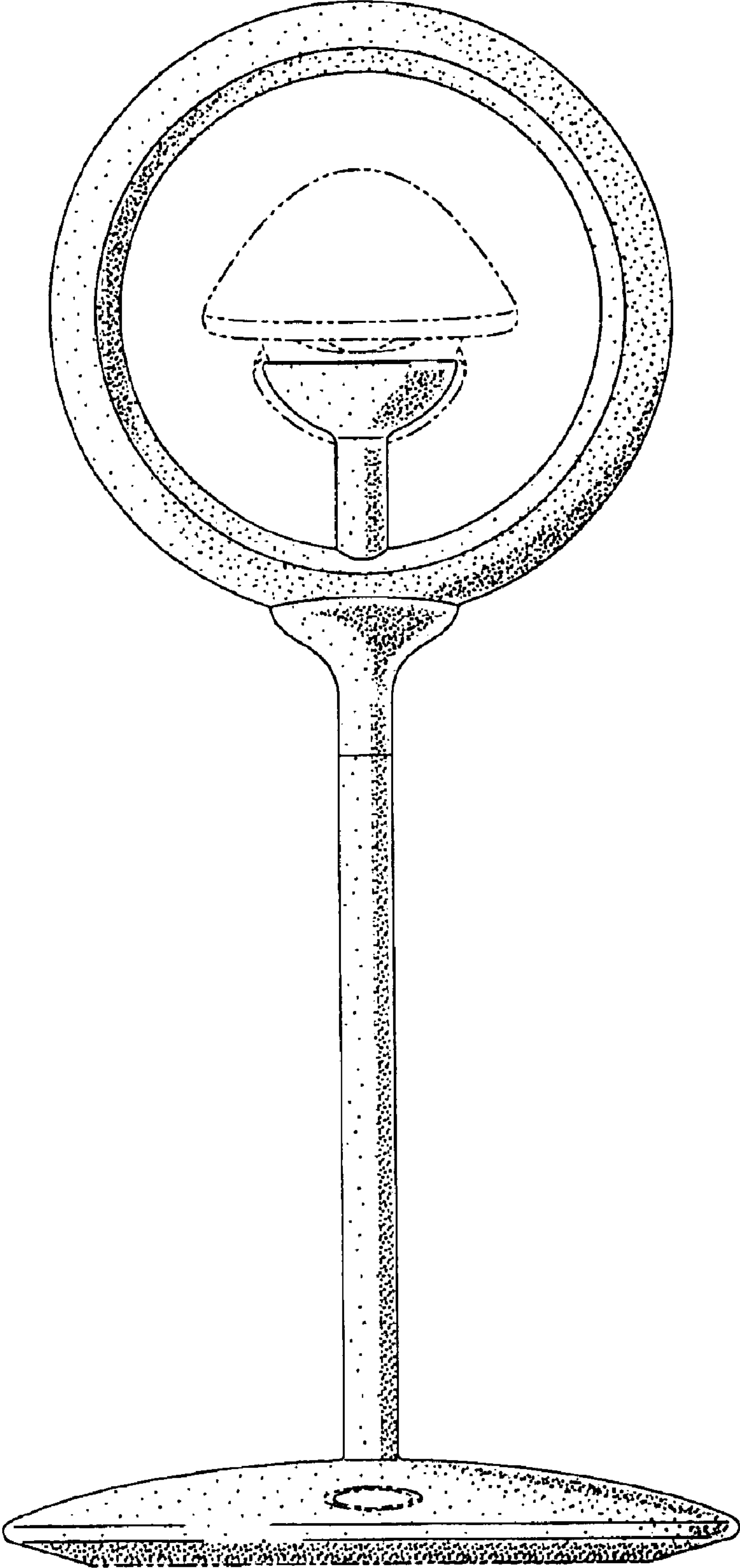


Fig. 3

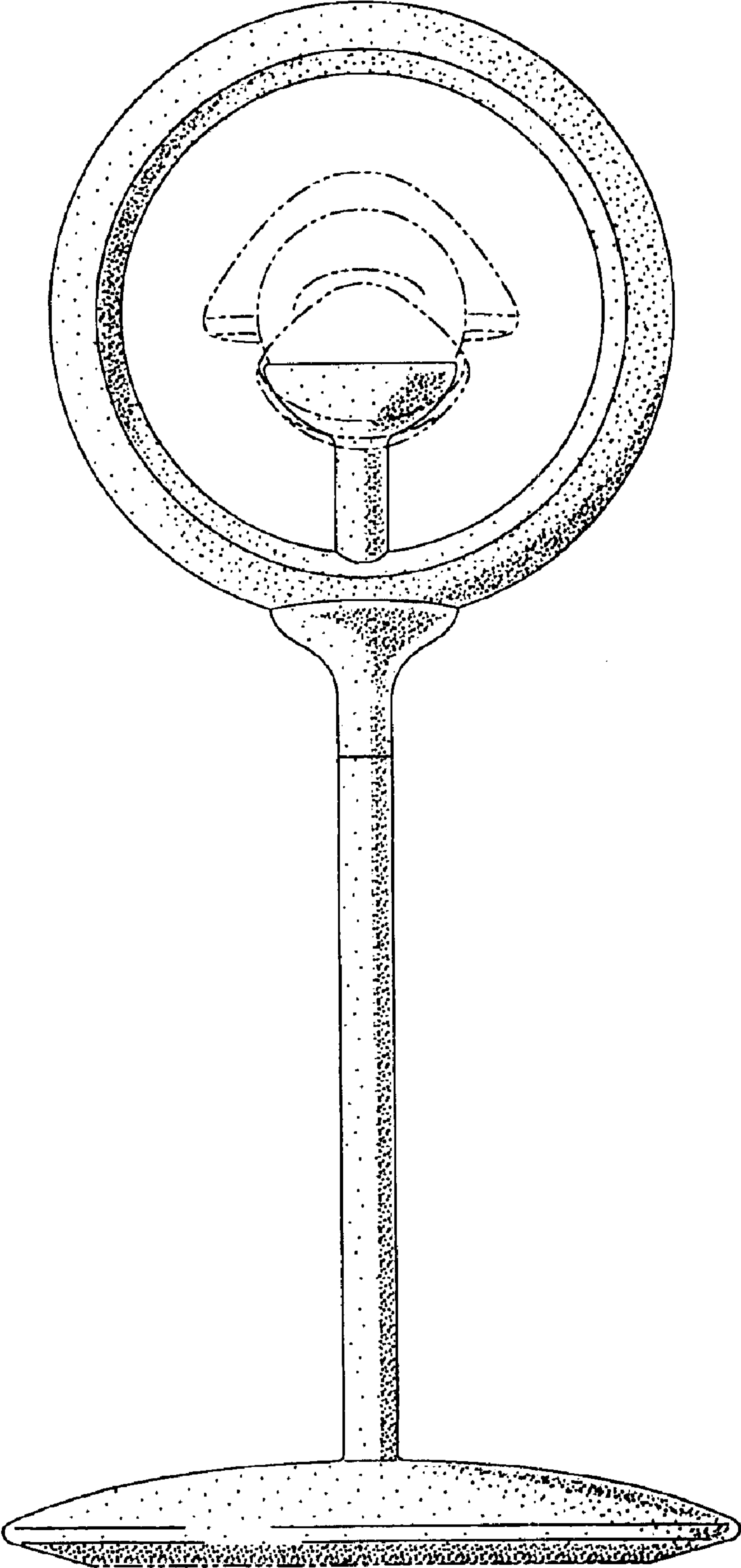


Fig. 4

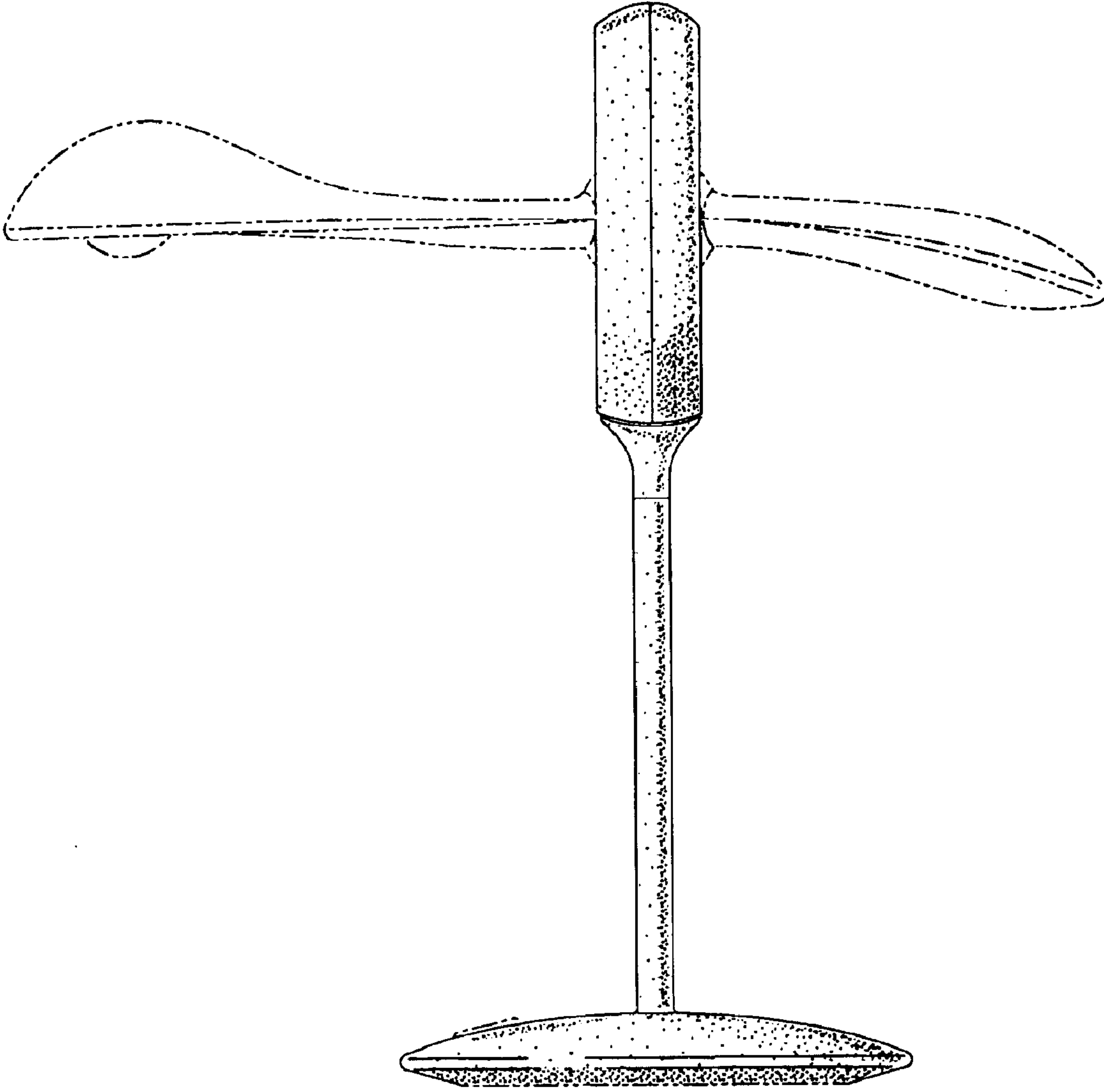


Fig. 5

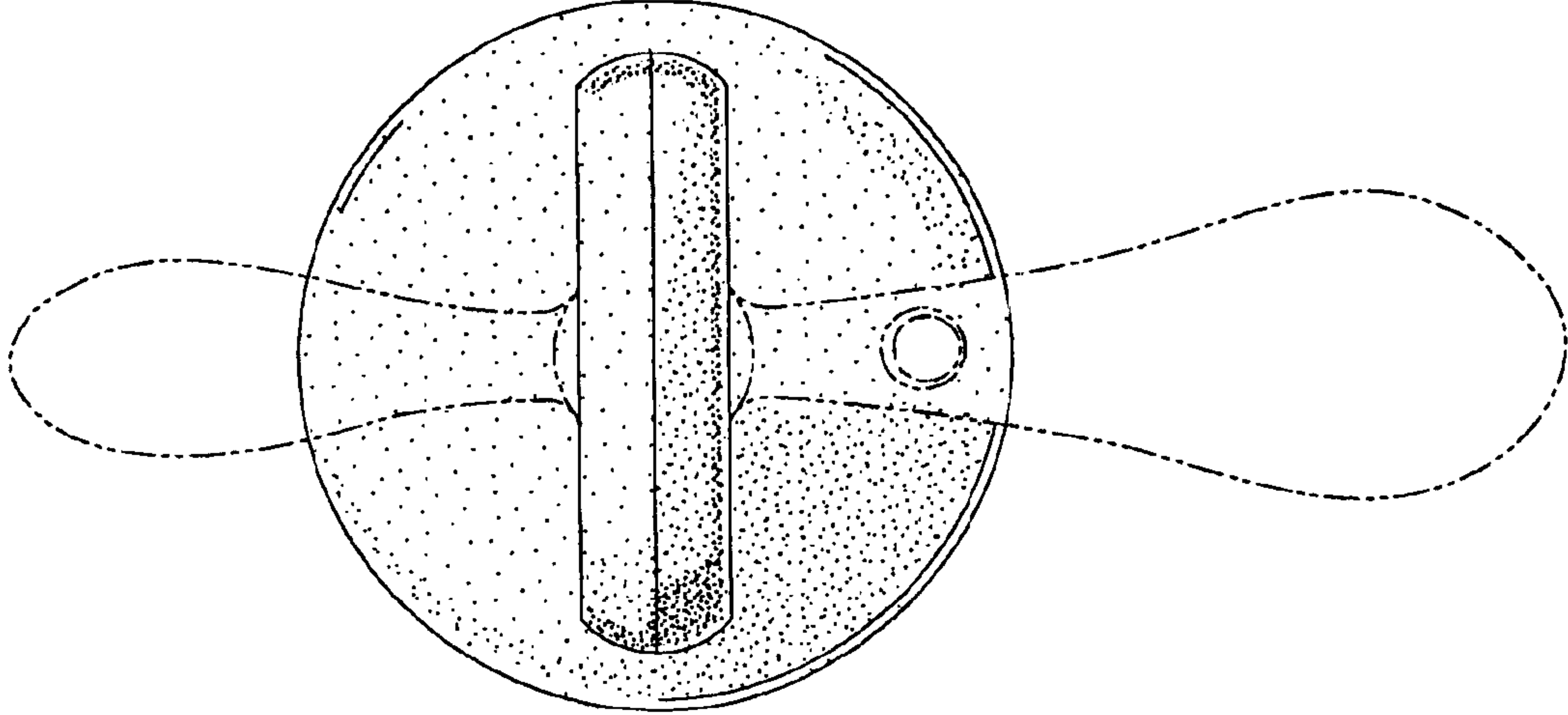


Fig. 6

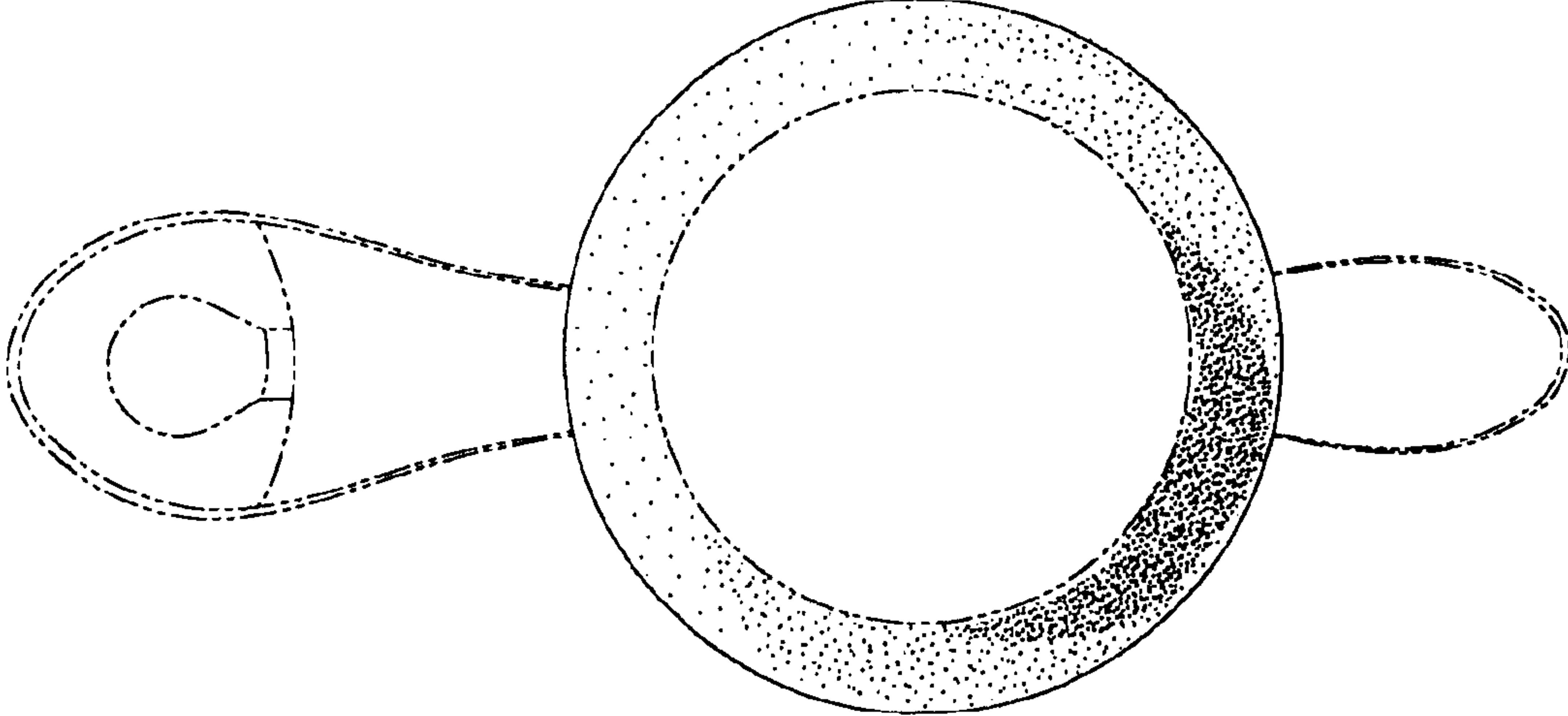


Fig. 7