

US00D509615S

(12) **United States Design Patent**  
**Rashidi**

(10) **Patent No.: US D509,615 S**

(45) **Date of Patent: \*\* Sep. 13, 2005**

(54) **ENCLOSED CONCAVE FROSTED DROP  
OPAL LENS TRIM**

(76) **Inventor: Hamid Rashidi**, 139 N. Clark Dr.,  
Beverly Hills, CA (US) 90211

(\*\*) **Term: 14 Years**

(21) **Appl. No.: 29/208,256**

(22) **Filed: Jun. 24, 2004**

(51) **LOC (8) Cl. .... 26-05**

(52) **U.S. Cl. .... D26/74; D26/120**

(58) **Field of Search** ..... D26/74, 118, 120,  
D26/122-124; 362/147, 296, 300, 235,  
301, 307, 310, 311, 347-350, 364-366

(56) **References Cited**

**U.S. PATENT DOCUMENTS**

D124,167 S	*	12/1940	Arenberg	.....	D26/124
D139,436 S	*	11/1944	Cressaty	.....	D26/123
D286,446 S	*	10/1986	Caroli et al.	.....	D26/123
D325,651 S	*	4/1992	Sonneman	.....	D26/152
6,421,904 B1	*	7/2002	Wedekind et al.	.....	362/365
D475,802 S	*	6/2003	Homann	.....	D26/74

D476,108 S \* 6/2003 Lecluze ..... D26/74

\* cited by examiner

*Primary Examiner*—Clare E Heflin

(74) *Attorney, Agent, or Firm*—Thomas I. Rozsa; Tony D. Chen

(57) **CLAIM**

The ornamental design for an enclosed concave frosted drop opal lens trim, as shown and described.

**DESCRIPTION**

FIG. 1 is a perspective view of the enclosed concave frosted drop opal lens trim, showing my design;

FIG. 2 is a top plan view;

FIG. 3 is a bottom plan view;

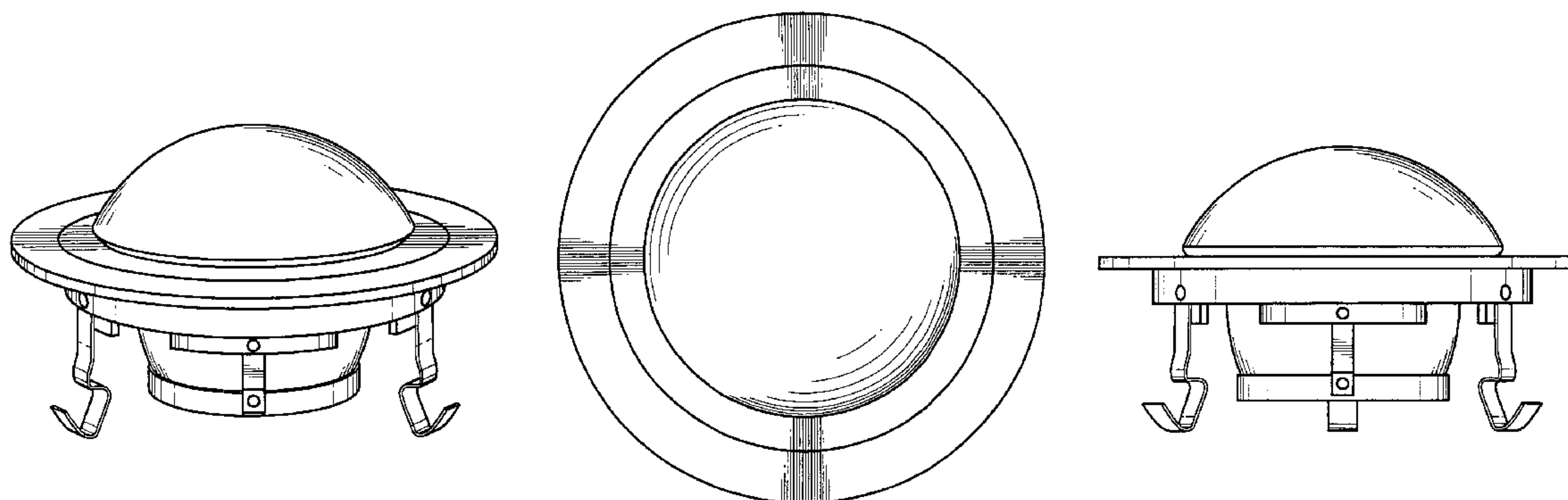
FIG. 4 is a front elevational view;

FIG. 5 is a rear elevational view;

FIG. 6 is a side elevational view when viewed from the right side; and,

FIG. 7 is a side elevational view when viewed from the left side.

**1 Claim, 2 Drawing Sheets**



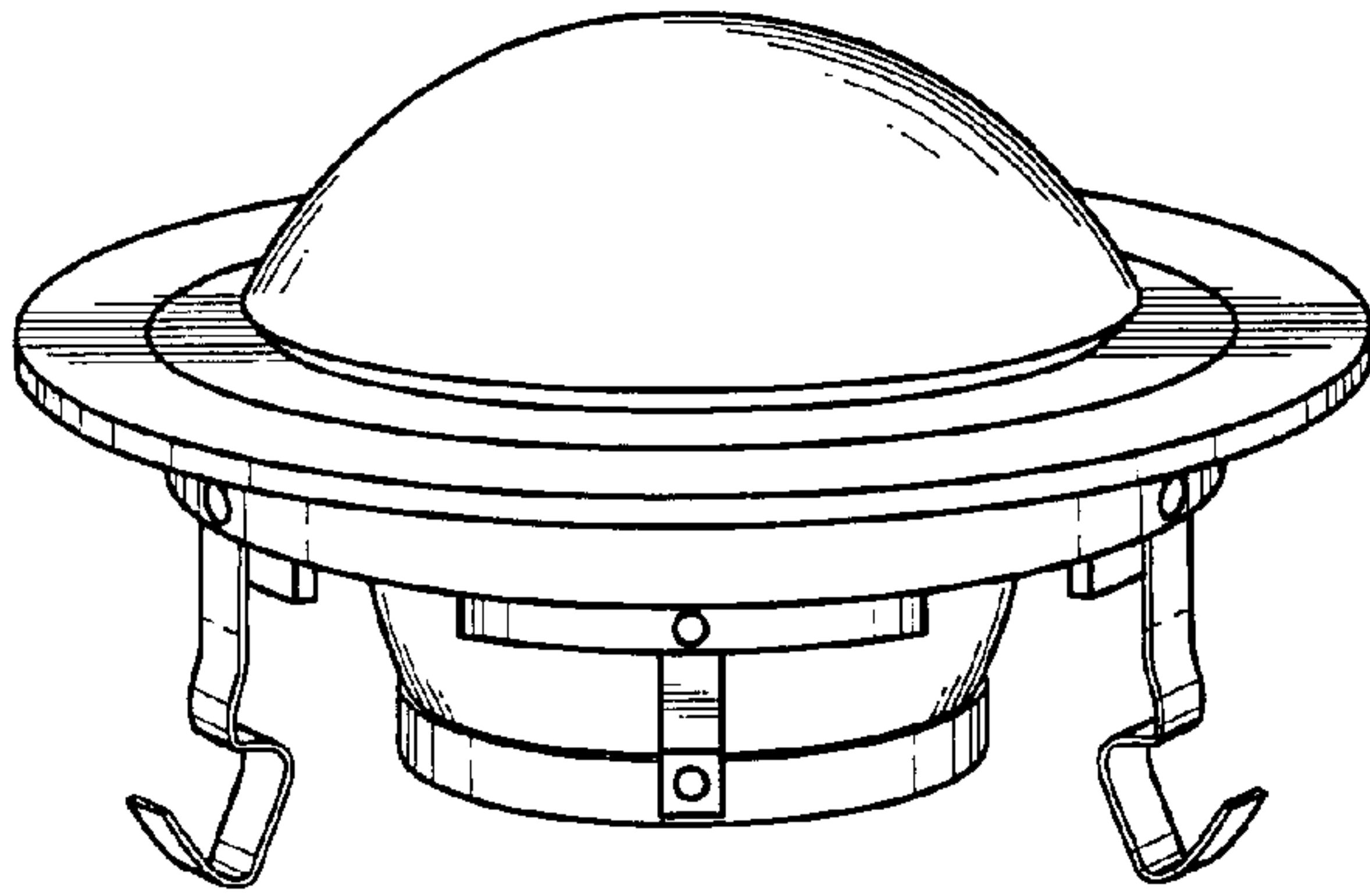


FIG. 1

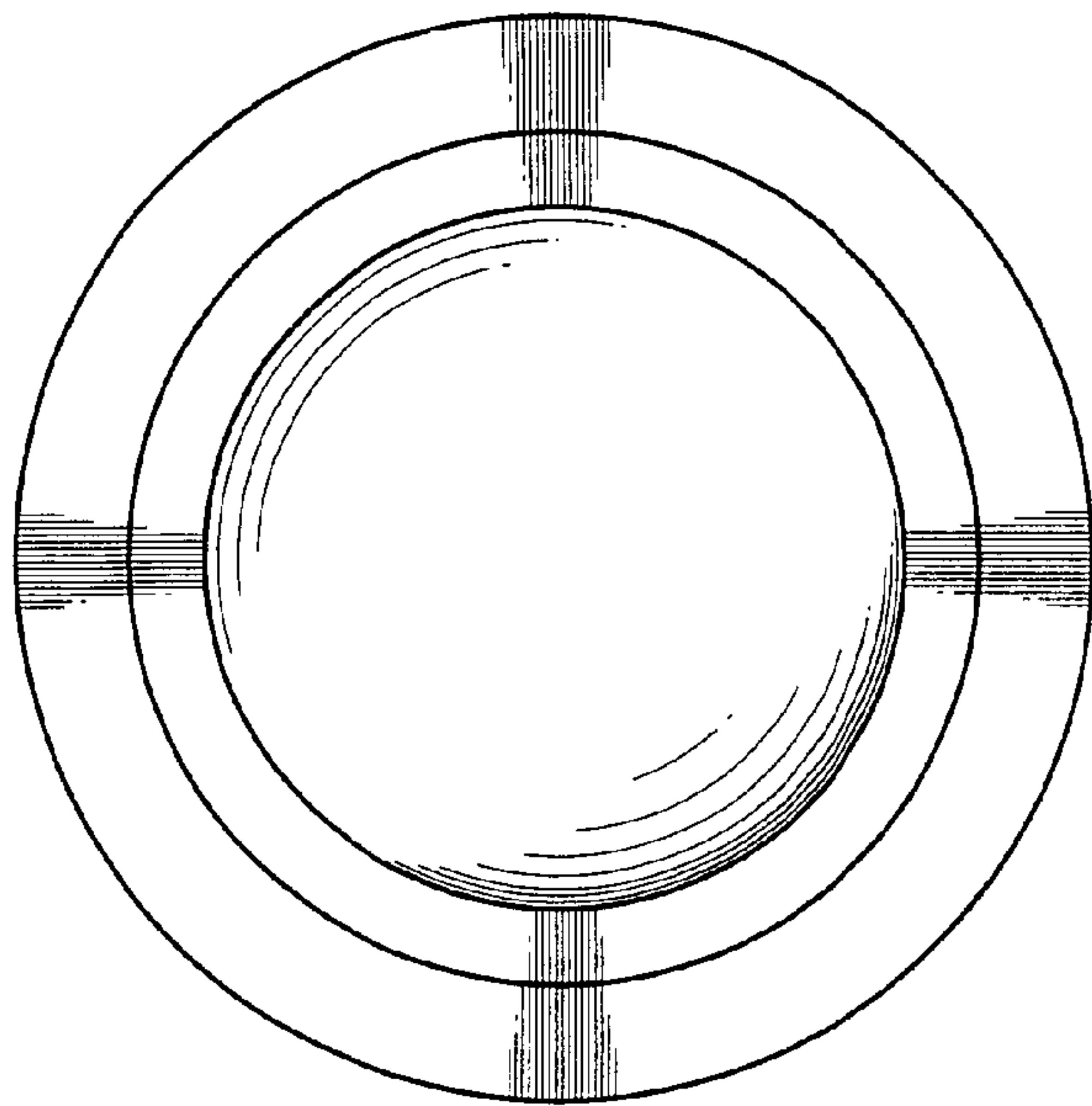


FIG. 2

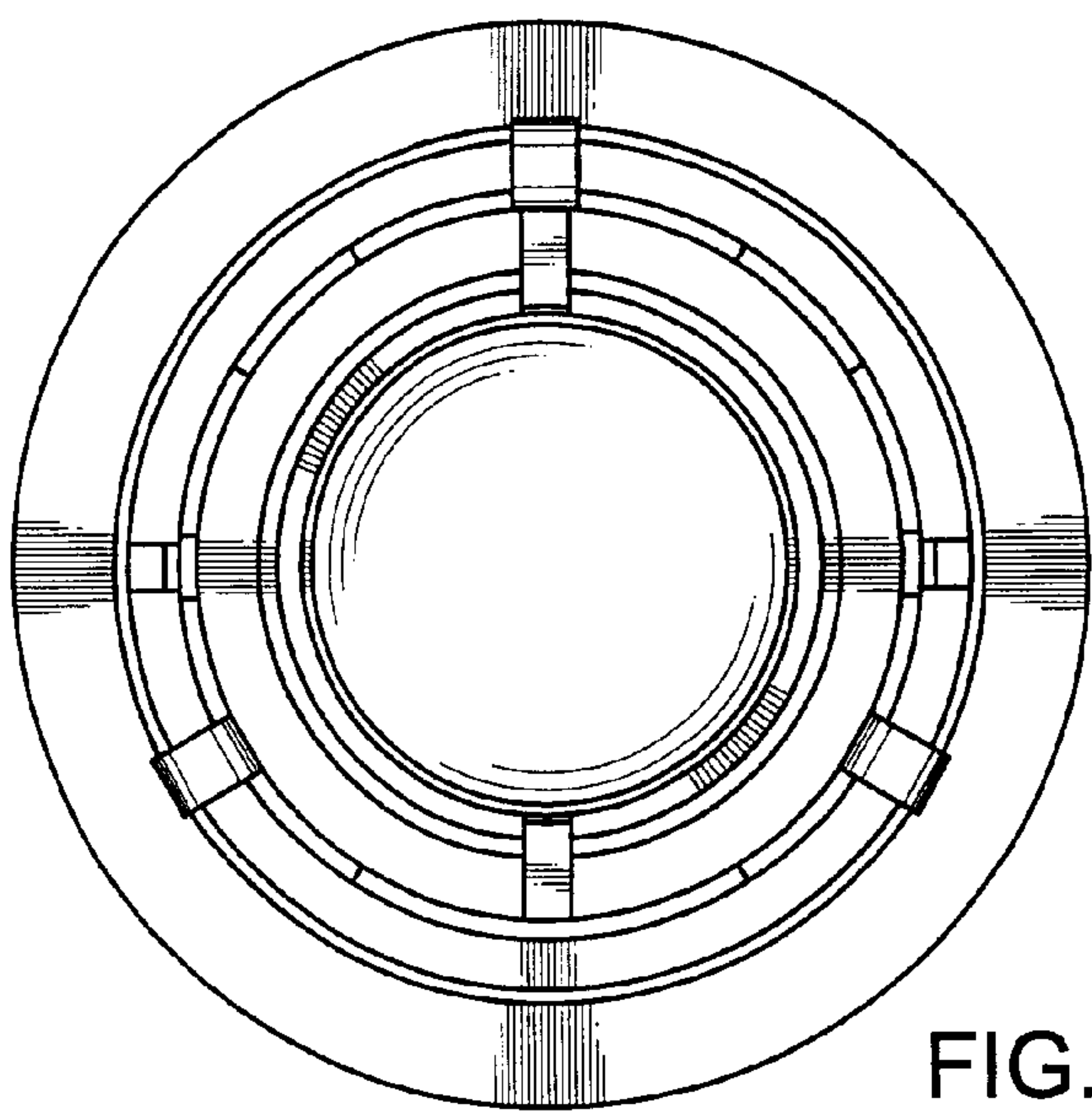


FIG. 3

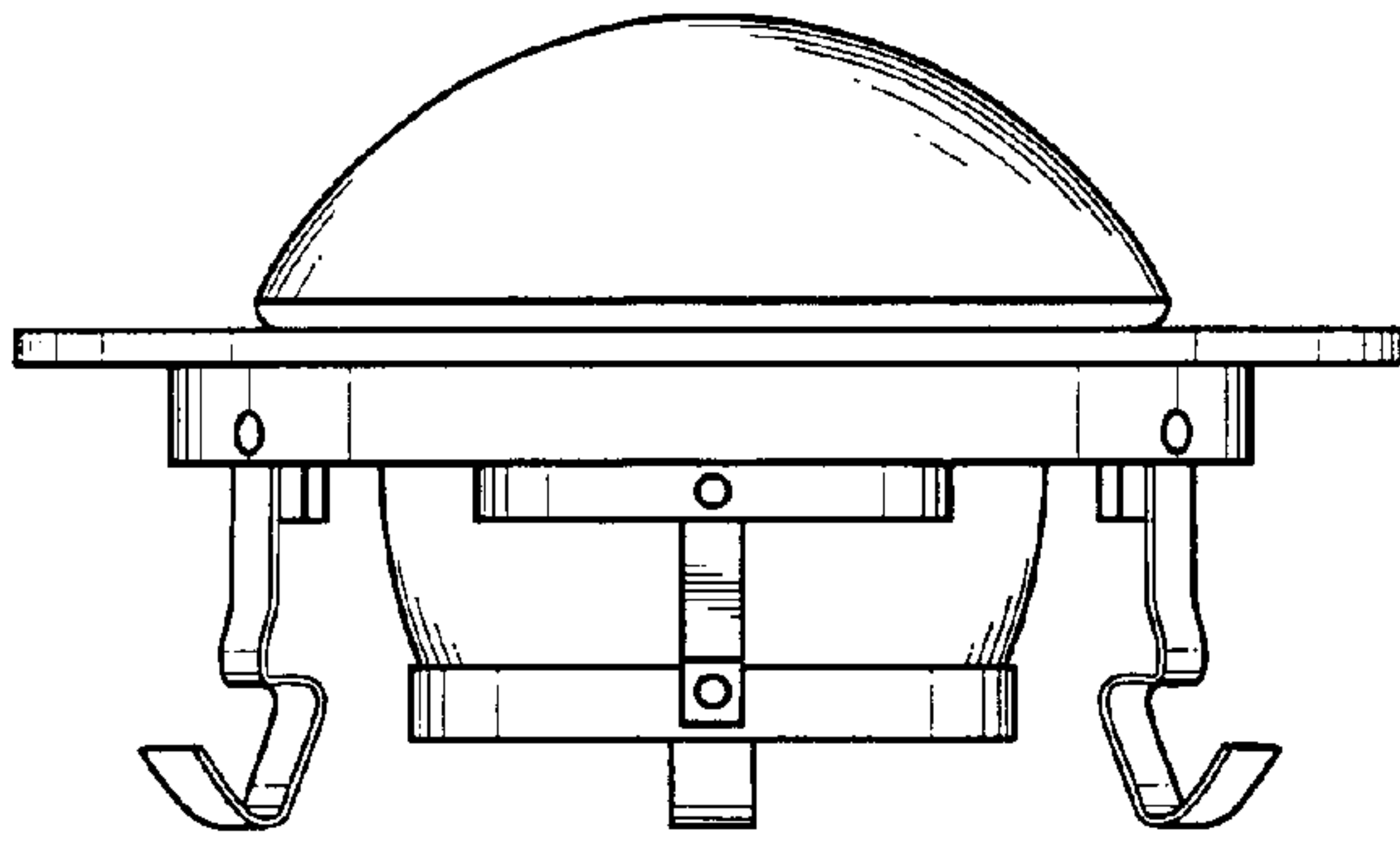


FIG. 4

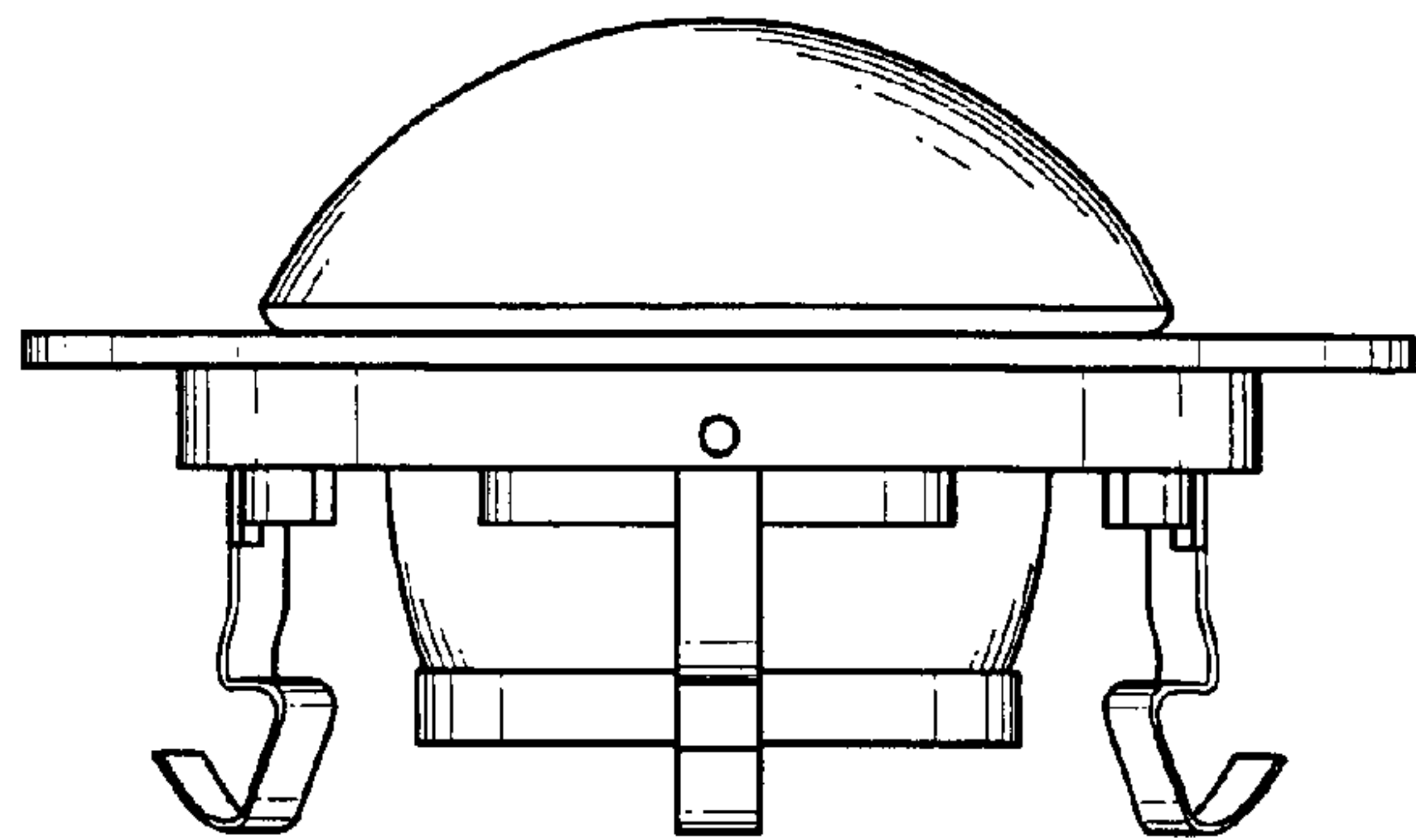


FIG. 5

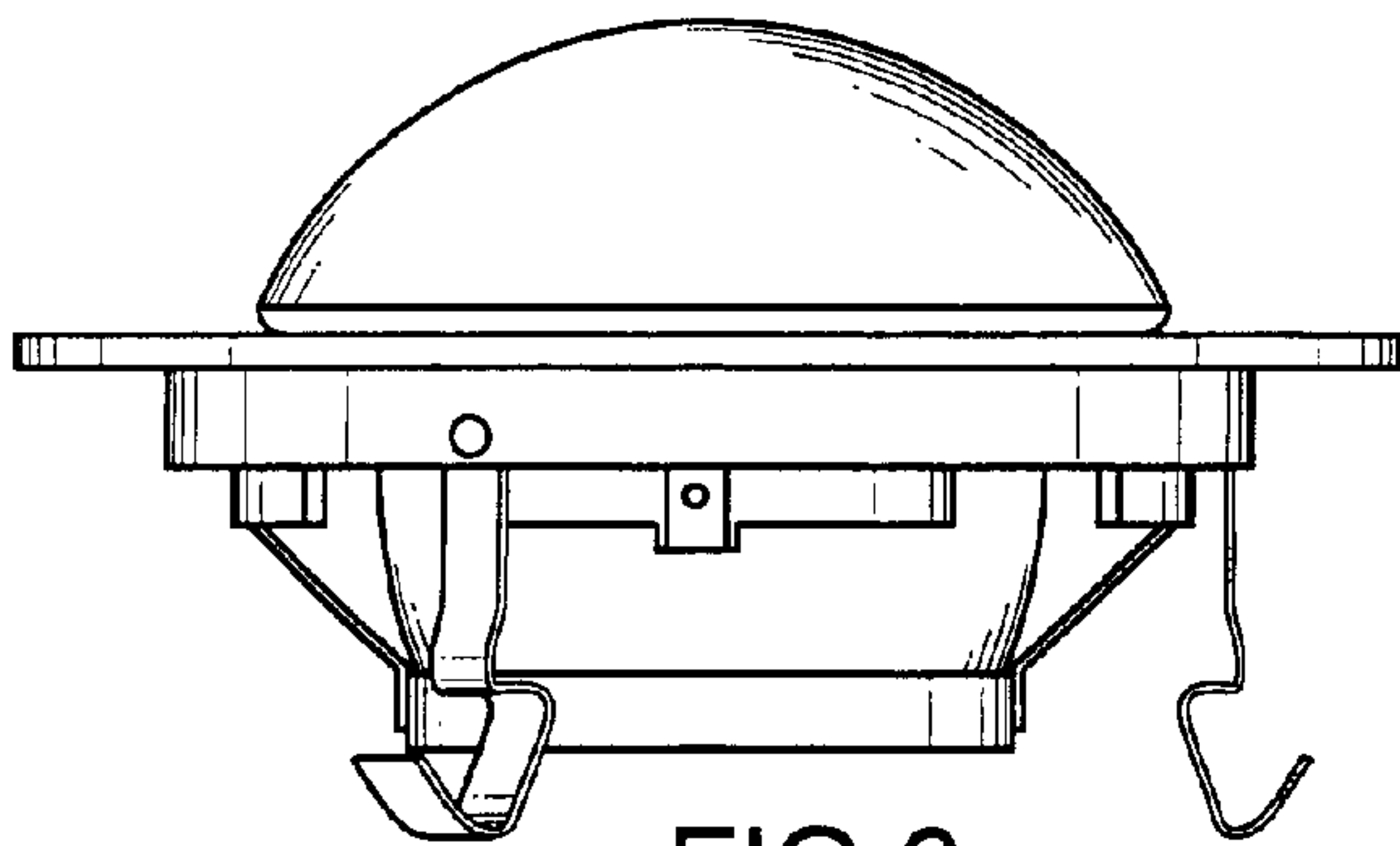


FIG. 6

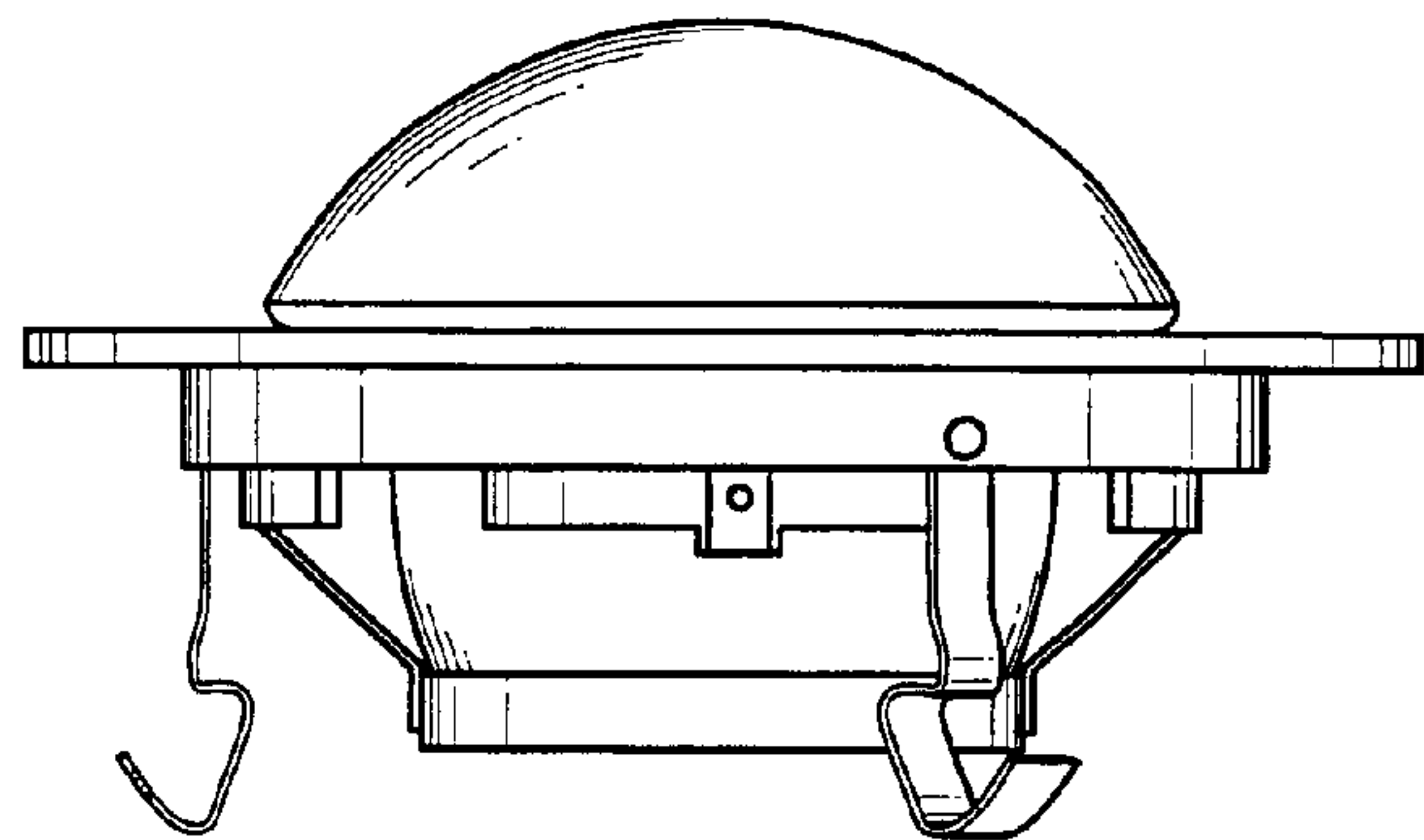


FIG. 7