

US00D509613S

(12) **United States Design Patent**  
**Sooferian**

(10) **Patent No.:** **US D509,613 S**

(45) **Date of Patent:** **\*\* Sep. 13, 2005**

(54) **CHANDLER LAMP**

(76) **Inventor:** **Daniel H. Sooferian**, 425-I Consitution Ave., Camarillo, CA (US) 93012

(\*\*) **Term:** **14 Years**

(21) **Appl. No.:** **29/192,261**

(22) **Filed:** **Oct. 21, 2003**

(51) **LOC (8) Cl.** ..... **26-05**

(52) **U.S. Cl.** ..... **D26/67**

(58) **Field of Search** ..... D26/67-71, 73,  
D26/118; 362/153, 153.1, 249, 353, 360,  
431, 437, 806, 252

(56) **References Cited**

**U.S. PATENT DOCUMENTS**

- D315,965 S \* 4/1991 Frost ..... D26/67
- D323,567 S \* 1/1992 Denison et al. .... D26/68
- D329,100 S \* 9/1992 Hall et al. .... D26/67
- D391,384 S \* 2/1998 Lerch ..... D26/67

- D464,456 S \* 10/2002 Chang ..... D26/67
- D492,055 S \* 6/2004 Hon et al. .... D26/67

\* cited by examiner

*Primary Examiner*—Clare E Heflin

(74) *Attorney, Agent, or Firm*—Colin P. Abrahams

(57) **CLAIM**

The ornamental design for a chandler lamp, as shown.

**DESCRIPTION**

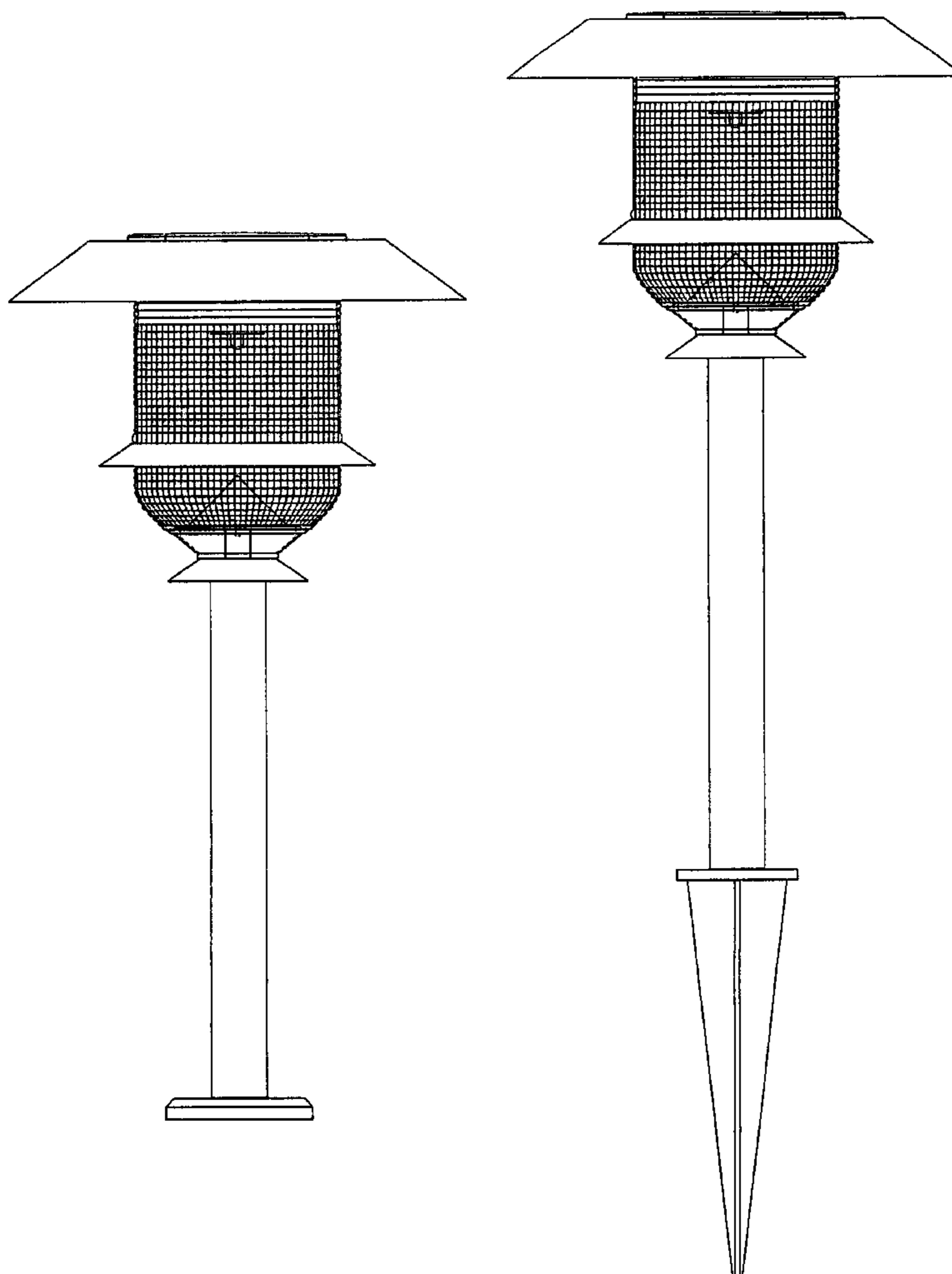
FIG. 1 is a front view of the chandler lamp of my new design;

FIG. 2 is a front view of a second embodiment of the chandler lamp, comprising a support stake;

FIG. 3 is a top view of the chandler lamp shown in FIG. 2 of the drawings; and,

FIG. 4 is a bottom view of the chandler lamp shown in FIG. 2 of the drawings.

**1 Claim, 2 Drawing Sheets**



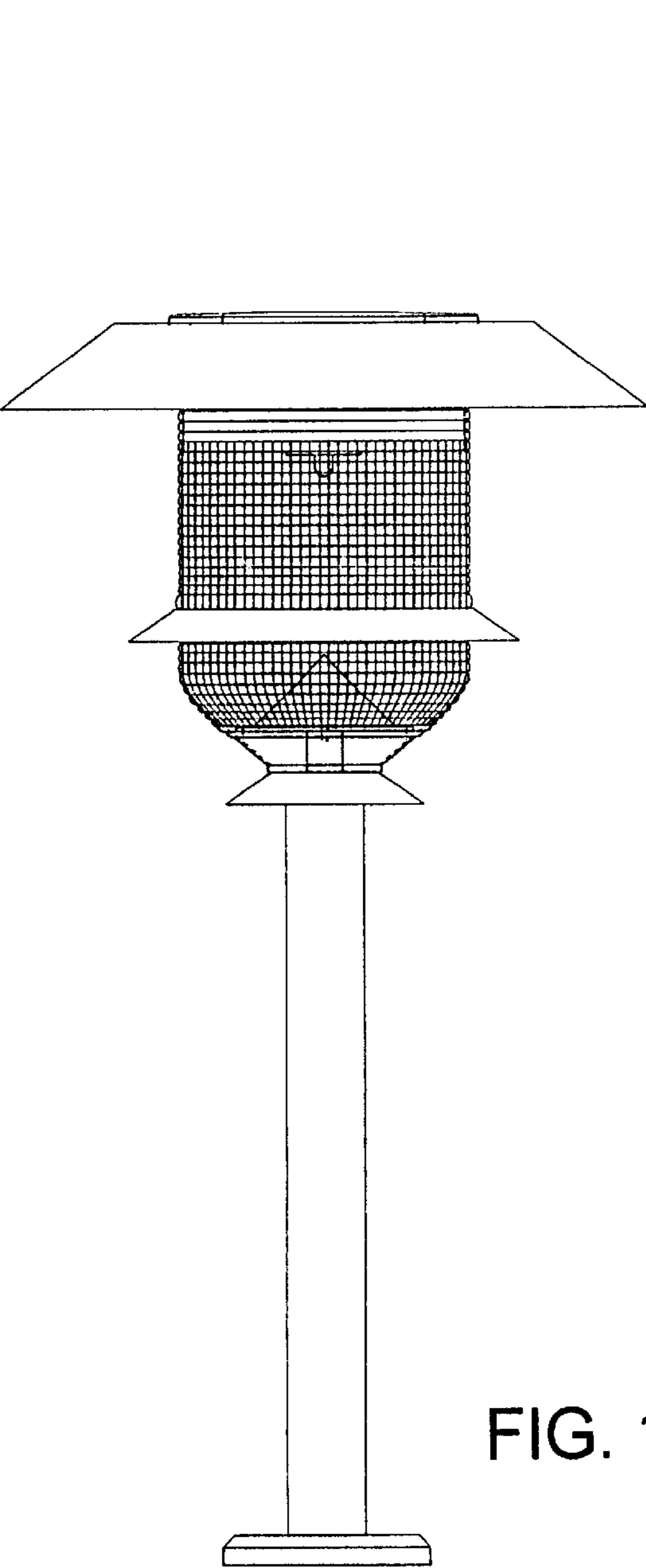


FIG. 1

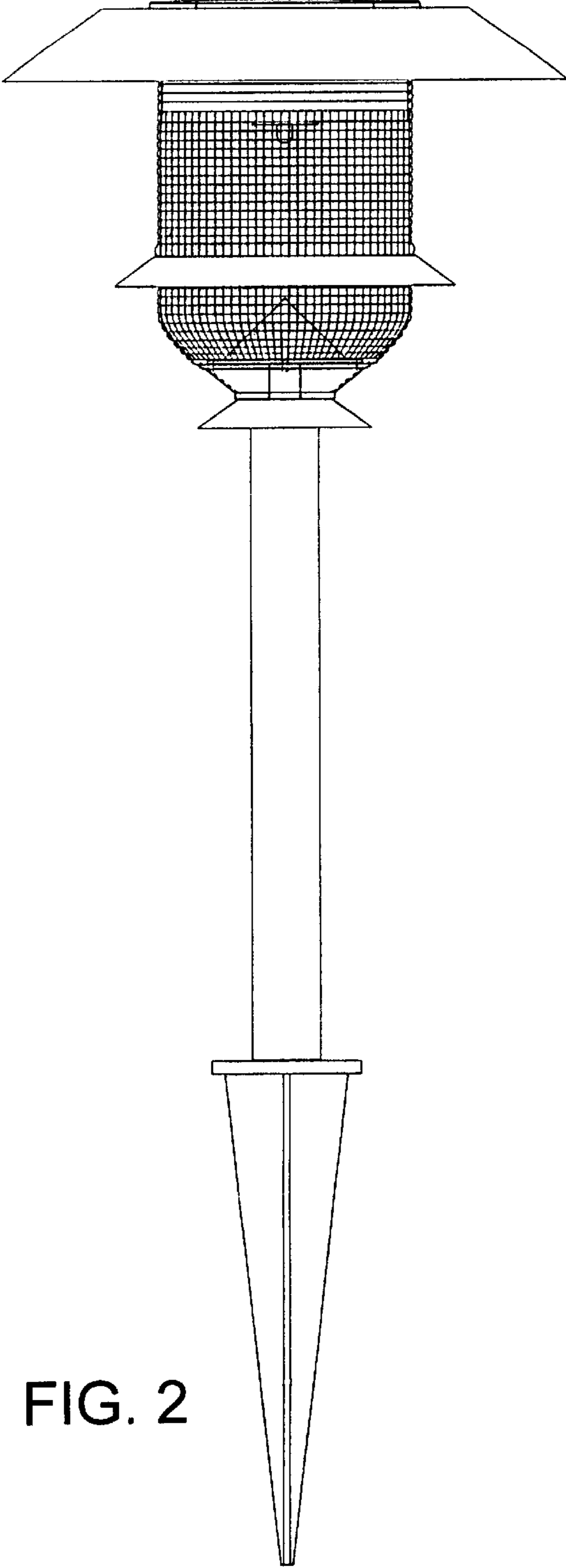


FIG. 2

FIG. 3

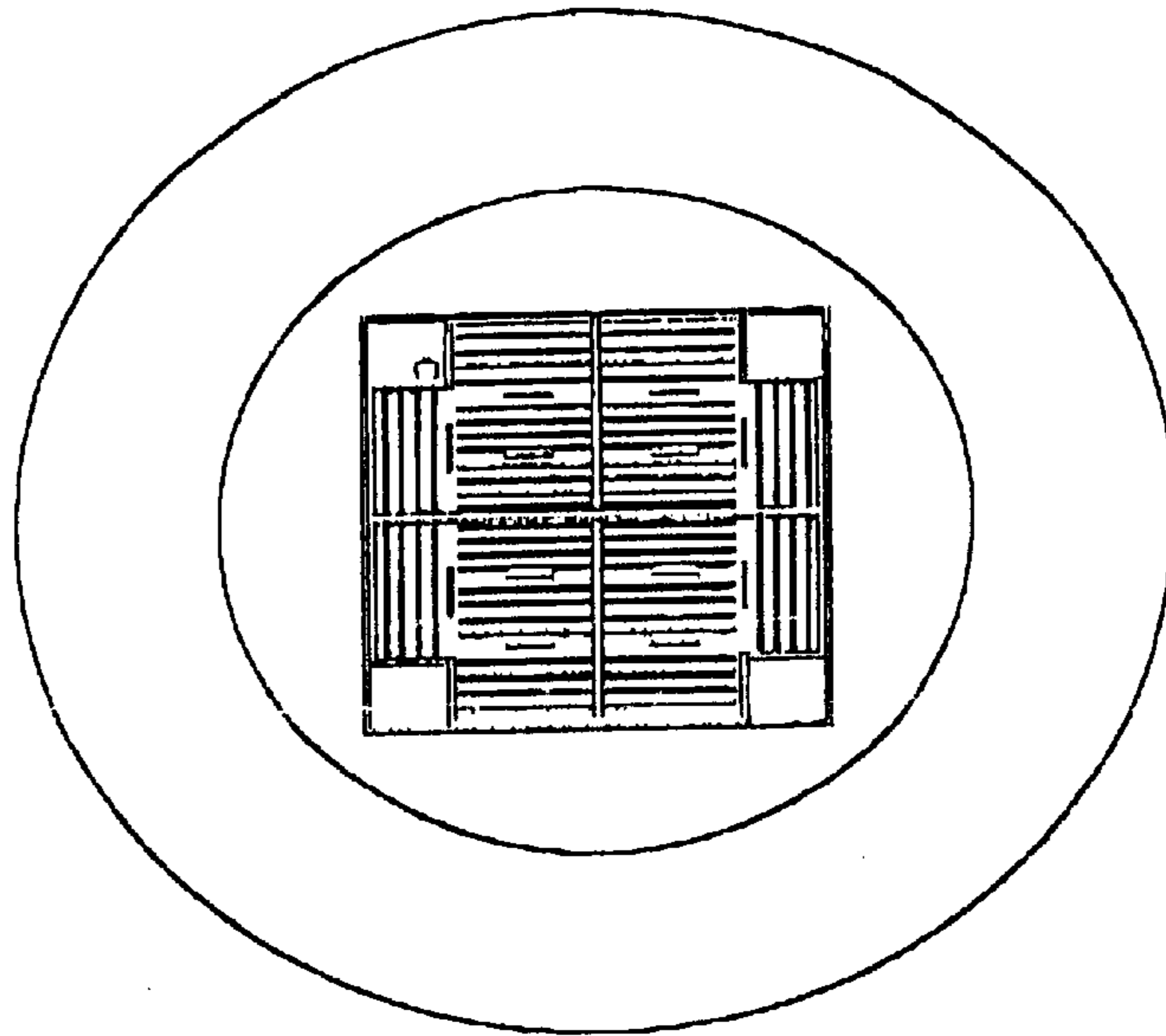
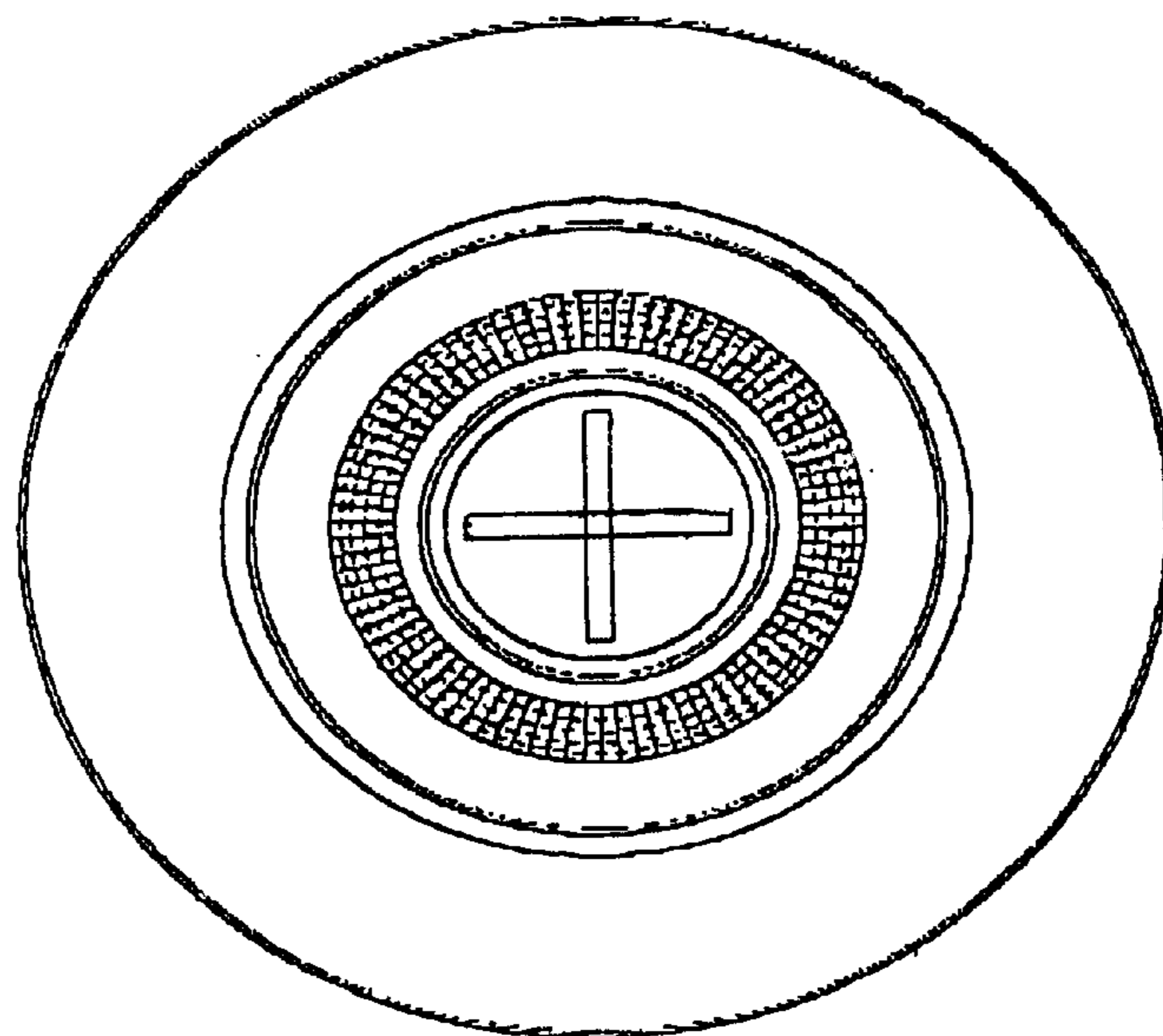


FIG. 4



UNITED STATES PATENT AND TRADEMARK OFFICE  
**CERTIFICATE OF CORRECTION**

PATENT NO. : Des. 509,613 S  
APPLICATION NO. : 29/192261  
DATED : September 13, 2005  
INVENTOR(S) : Sooferian, Danny

Page 1 of 1

It is certified that error appears in the above-identified patent and that said Letters Patent is hereby corrected as shown below:

Title page, item [76] inventor: "Consitution" should read -- Constitution --.

Signed and Sealed this

Eleventh Day of July, 2006

A handwritten signature in black ink on a light gray dotted background. The signature reads "Jon W. Dudas" in a cursive style.

JON W. DUDAS

*Director of the United States Patent and Trademark Office*