

US00D509608S

(12) **United States Design Patent**  
**Brady**

(10) **Patent No.: US D509,608 S**

(45) **Date of Patent: \*\* Sep. 13, 2005**

(54) **COKE BOTTLE LIGHT**

(75) **Inventor: Floyd William Brady, Soquel, CA (US)**

(73) **Assignee: Salamander Graphix, Inc., Watsonville, CA (US)**

(\*\*) **Term: 14 Years**

(21) **Appl. No.: 29/211,614**

(22) **Filed: Aug. 17, 2004**

(51) **LOC (8) Cl. .... 26-05**

(52) **U.S. Cl. .... D26/26; D26/73**

(58) **Field of Search .... D26/26, 73, 104; D23/366, 367; 362/95, 125, 226, 276, 147, 404, 800; D9/539**

D398,981 S \* 9/1998 Wenzell ..... D23/377  
D435,198 S \* 12/2000 Hansen ..... D7/606  
D468,459 S \* 1/2003 Yu ..... D26/26  
D499,821 S \* 12/2004 Lee ..... D26/26

**OTHER PUBLICATIONS**

Coca Cola Sparkle Nightlight from online catalog: redrose-texas.com. Dated Feb. 7, 2005.\*

\* cited by examiner

*Primary Examiner*—Clare E Heflin

(74) *Attorney, Agent, or Firm*—Townsend and Townsend and Crew LLP

(57) **CLAIM**

The ornamental design for coke bottle light, as shown and described.

**DESCRIPTION**

FIG. 1 is a perspective view of a coke bottle light showing the new design;

FIG. 2 is a top plan view thereof;

FIG. 3 is a front elevational view thereof;

FIG. 4 is a right side elevational view, the left side elevational view being a mirror image thereof; and,

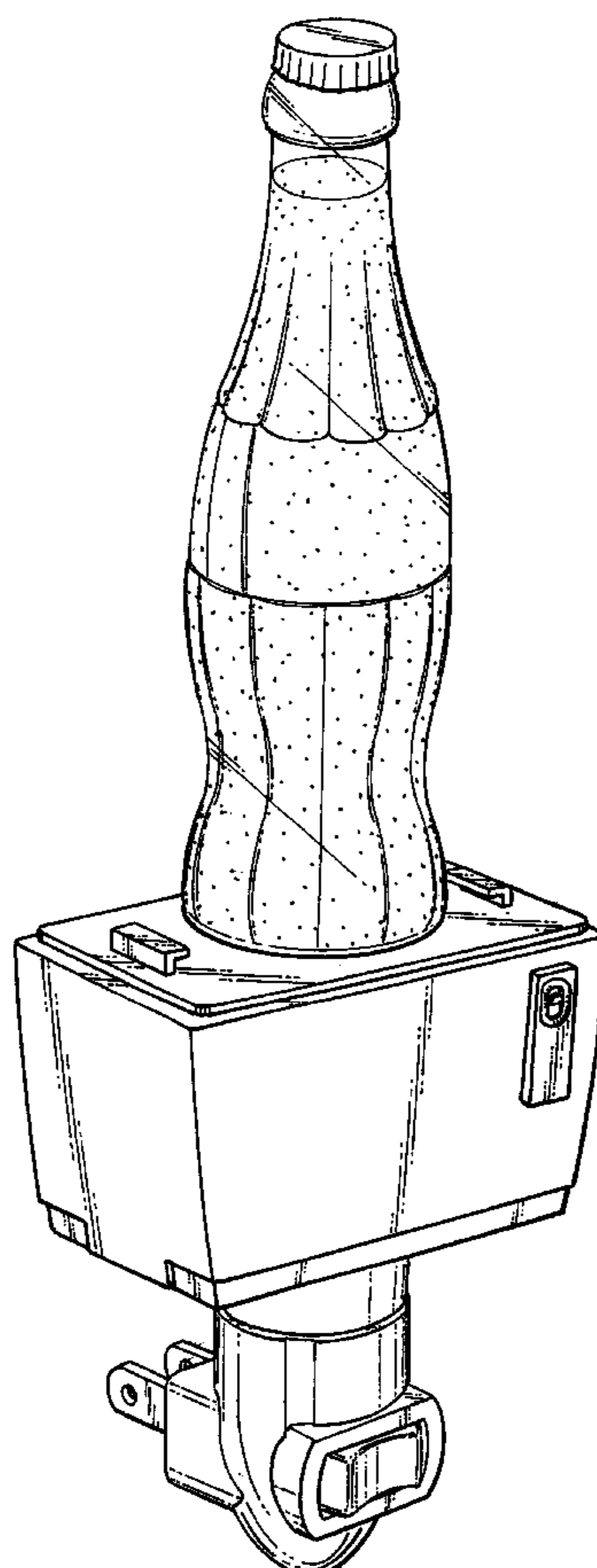
FIG. 5 is a bottom plan view thereof.

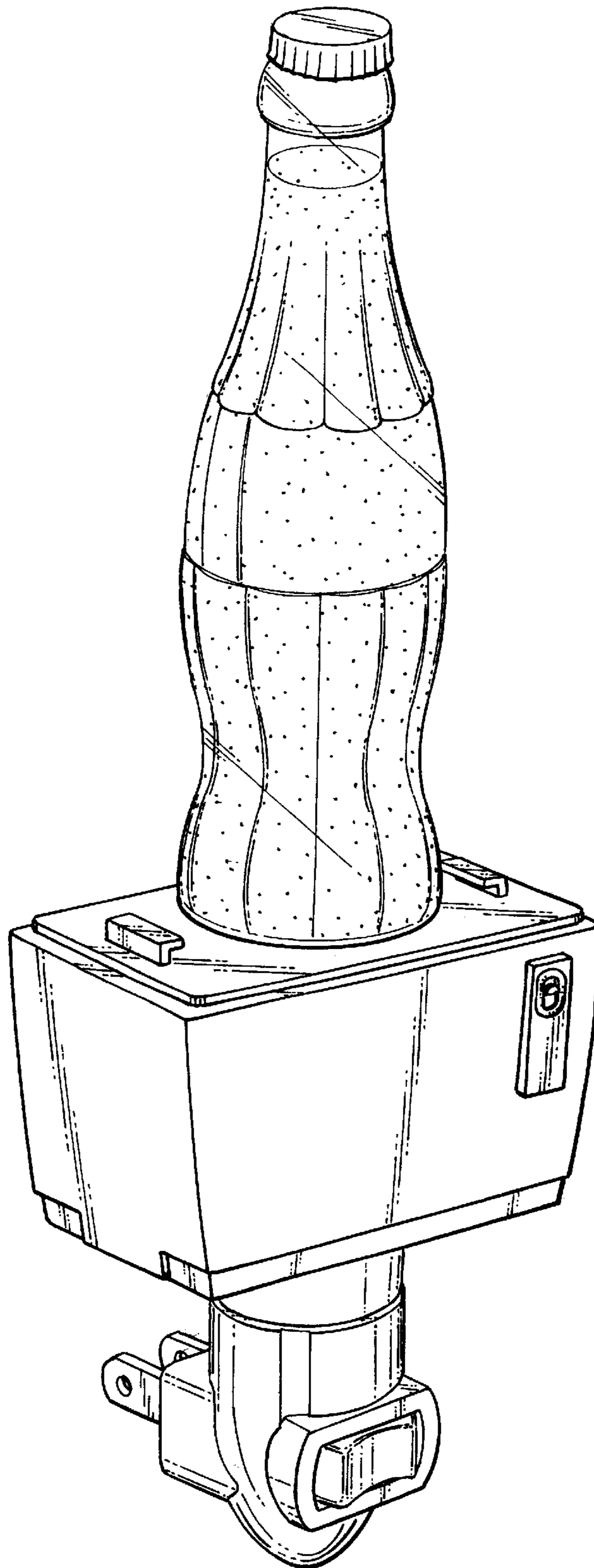
**1 Claim, 3 Drawing Sheets**

(56) **References Cited**

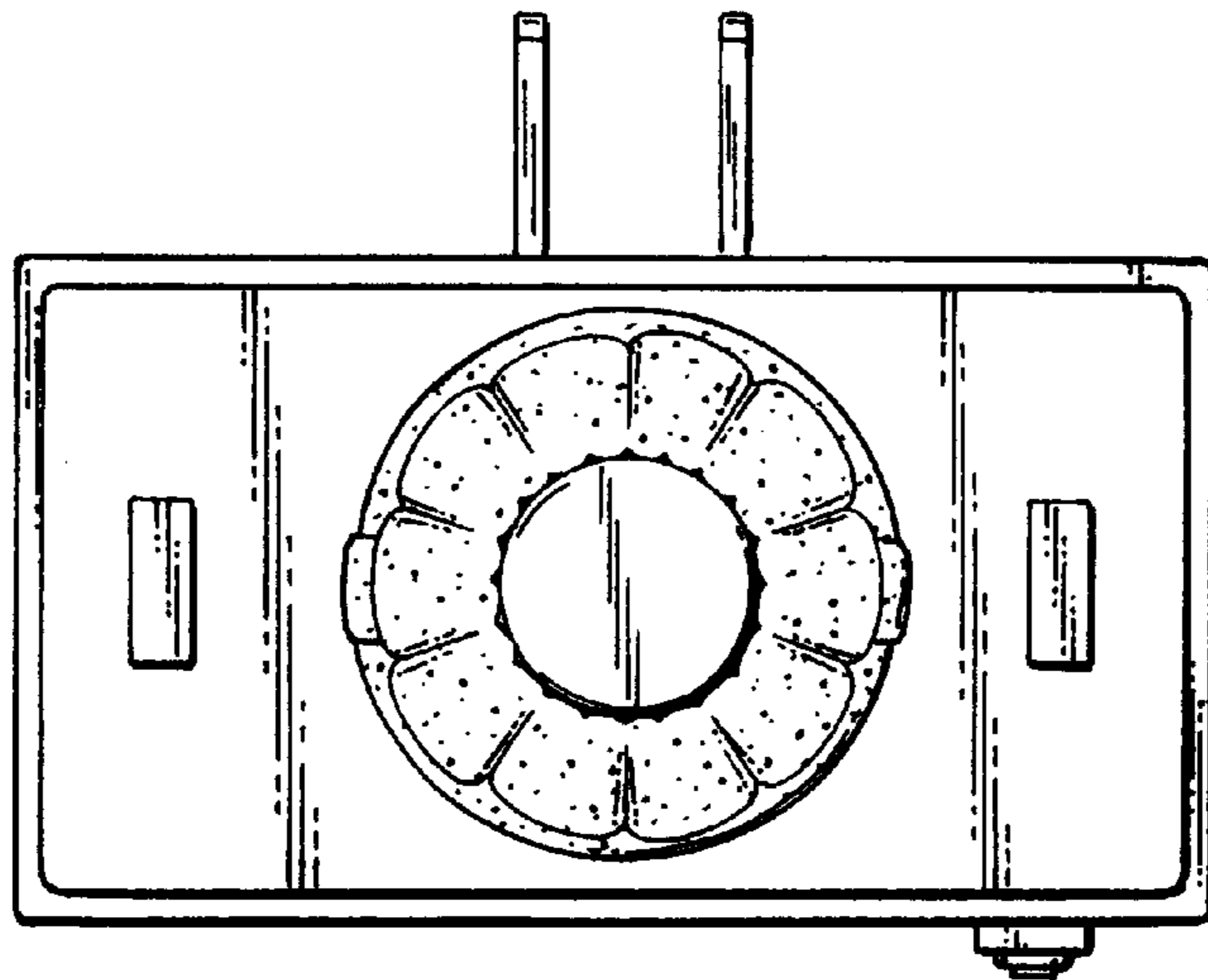
**U.S. PATENT DOCUMENTS**

D63,657 S \* 12/1923 Root ..... D9/538  
D90,777 S \* 9/1933 Lippard ..... D26/73  
D105,529 S \* 8/1937 Kelly ..... D9/539  
3,871,541 A \* 3/1975 Adomaitis ..... 215/375  
D360,478 S \* 7/1995 Freund ..... D26/26  
D362,581 S \* 9/1995 Rogers ..... D7/301  
D394,323 S \* 5/1998 West ..... D26/63

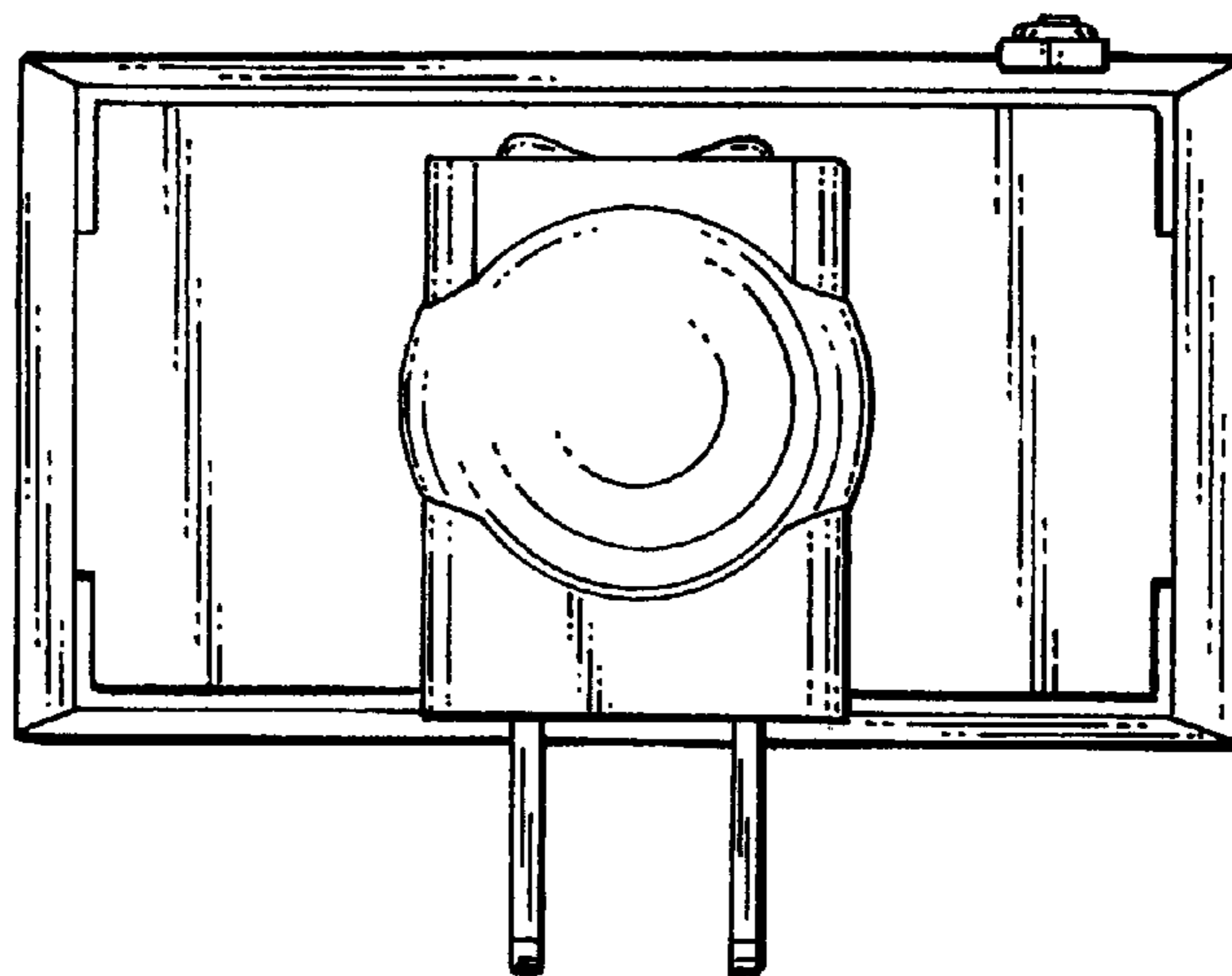




*FIG. 1*



*FIG. 2*



*FIG. 5*

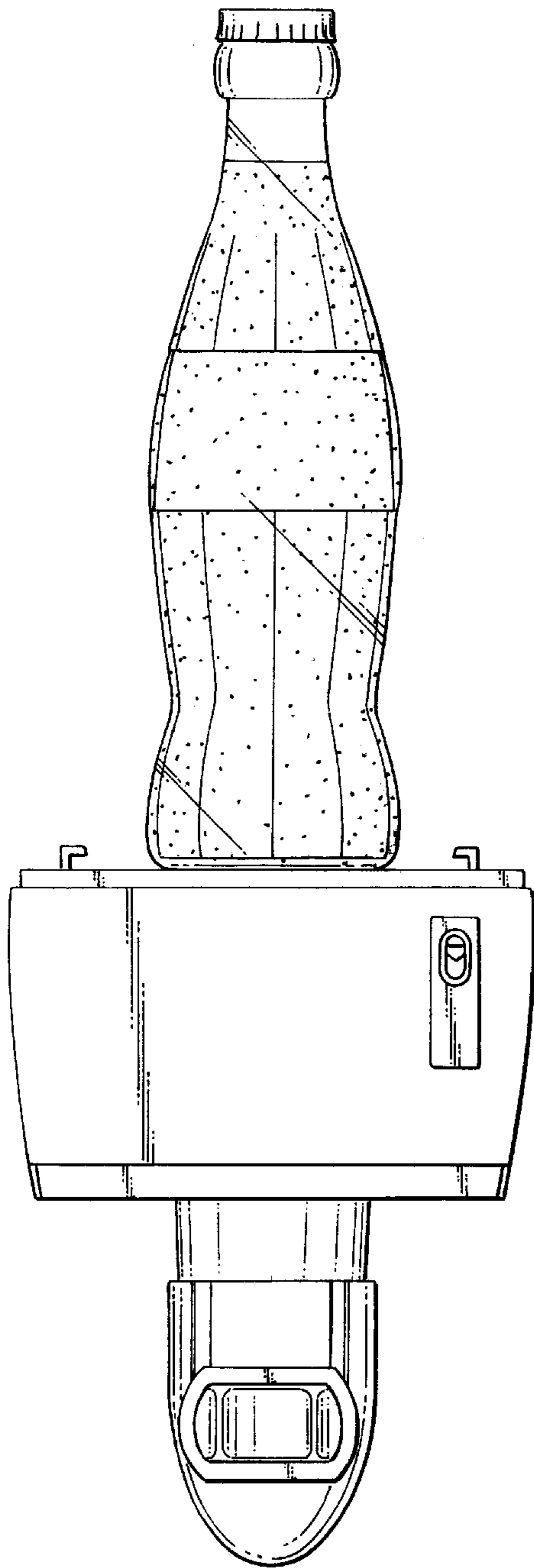


FIG. 3

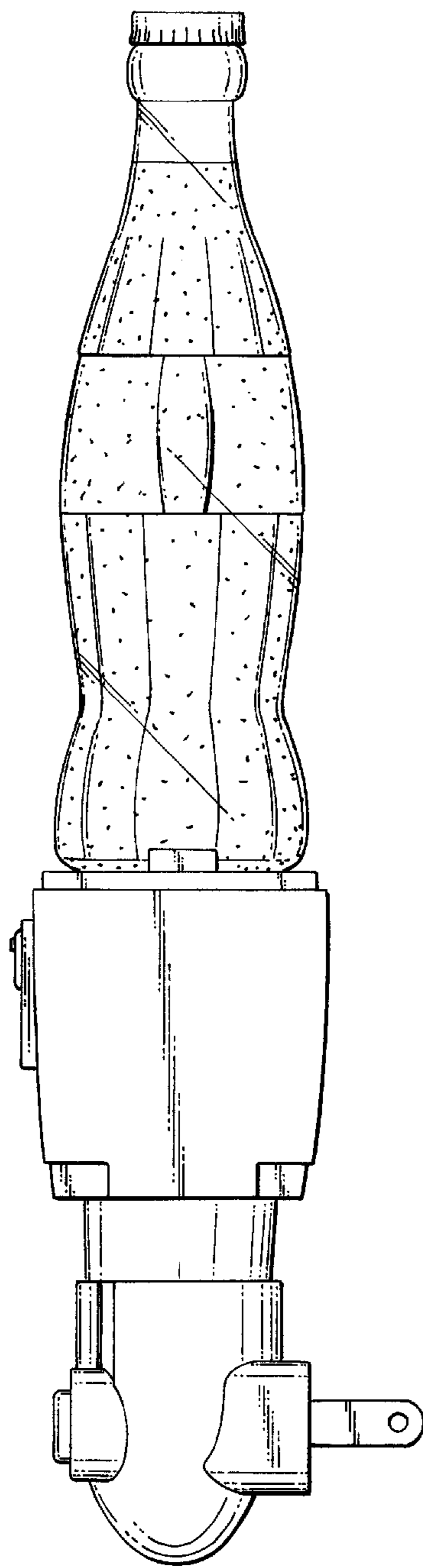


FIG. 4