



US00D509606S

(12) **United States Design Patent**
Egawa

(10) **Patent No.:** **US D509,606 S**

(45) **Date of Patent:** **** Sep. 13, 2005**

(54) **FLUORESCENT TUBE**

(75) **Inventor:** **Kazuo Egawa, Tokyo (JP)**

(73) **Assignee:** **Toshiba Lighting & Technology Corporation, Tokyo (JP)**

(**) **Term:** **14 Years**

(21) **Appl. No.:** **29/210,077**

(22) **Filed:** **Jul. 26, 2004**

(51) **LOC (8) Cl. 26-04**

(52) **U.S. Cl. D26/3**

(58) **Field of Search** D26/1-4; 313/110,
313/313, 315, 317, 318, 491, 493, 567,
569; 315/56, 57, 58, 73

(56) **References Cited**

U.S. PATENT DOCUMENTS

D362,733 S	*	9/1995	Murata	D26/3
D438,651 S	*	3/2001	Madanat	D26/3
D501,568 S	*	2/2005	Iida et al.	D26/3

* cited by examiner

Primary Examiner—Marcus A. Jackson
(74) Attorney, Agent, or Firm—J.C. Patents

(57) **CLAIM**

The ornamental design for a fluorescent tube, as shown and described.

DESCRIPTION

FIG. 1 is a front view of a fluorescent tube showing the new design.

FIG. 2 is a rear view thereof.

FIG. 3 is a left side view thereof.

FIG. 4 is a right side view thereof.

FIG. 5 is a top view thereof.

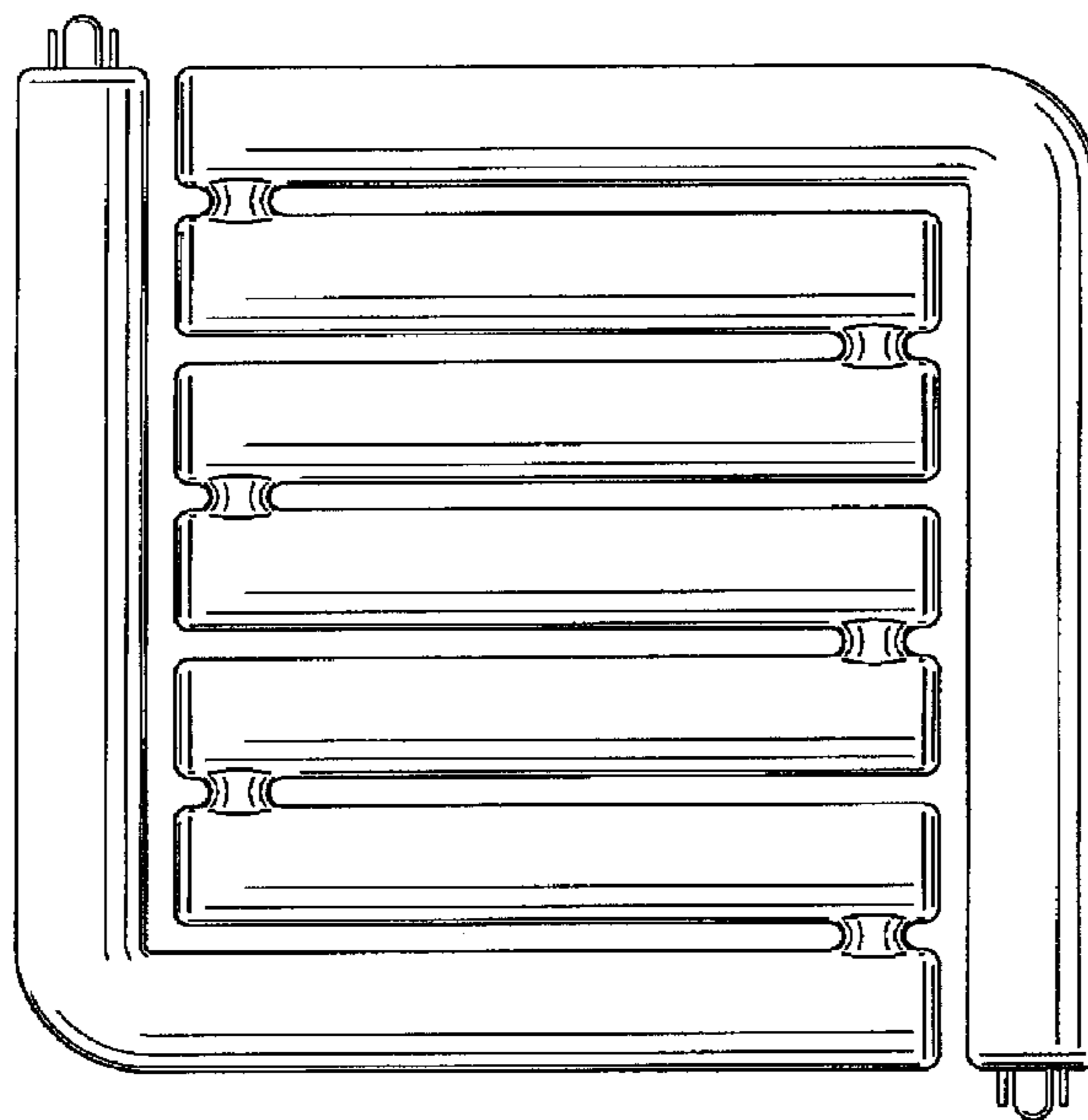
FIG. 6 is a bottom view thereof.

FIG. 7 is an end view in section taken along line 7—7 in FIG. 1; and,

FIG. 8 is an end view in section taken along line 8—8 in FIG. 4.

1 Claim, 8 Drawing Sheets

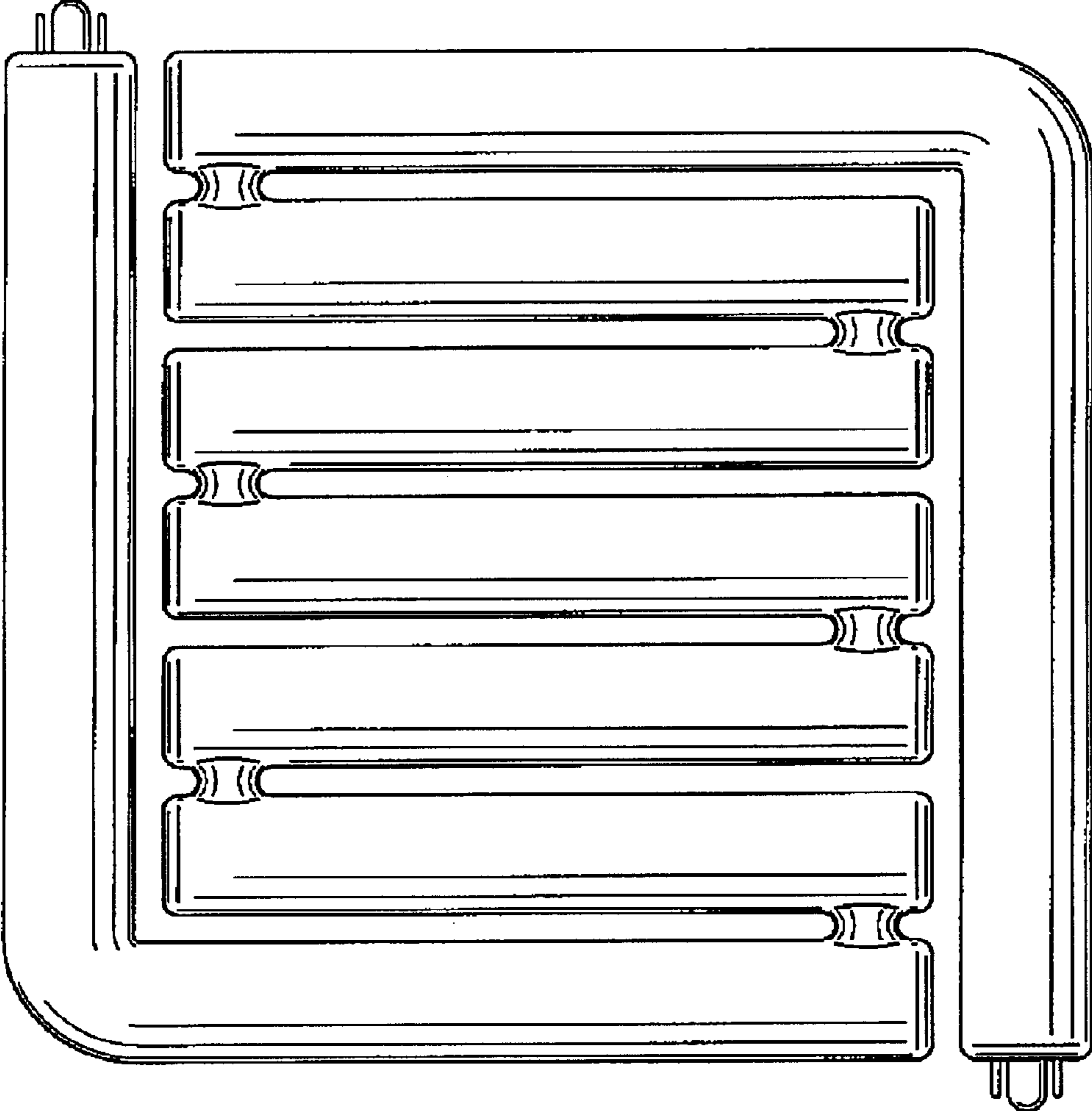
7 ←



7 ←



74



75

FIG. 1

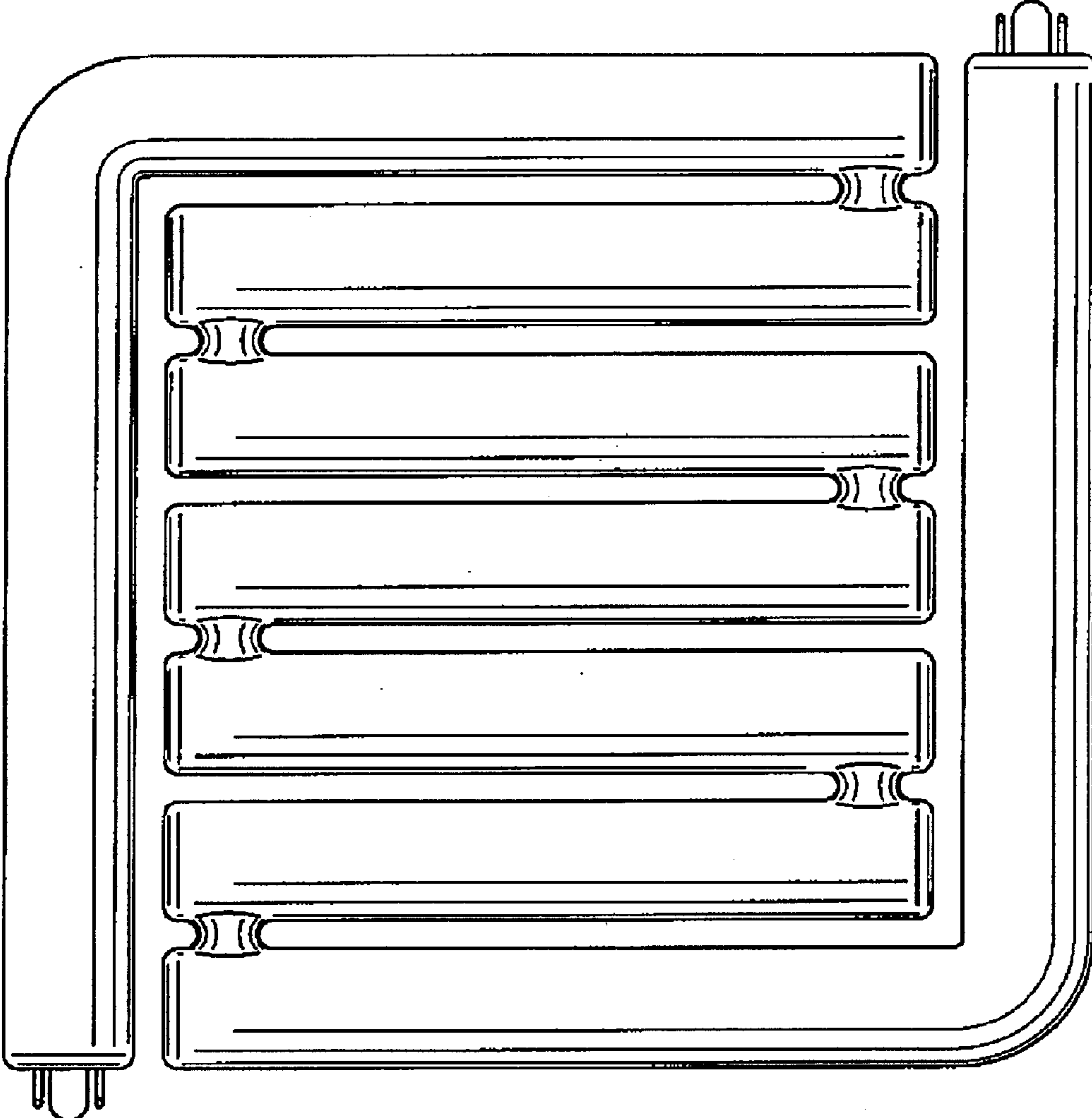


FIG. 2



FIG. 3



FIG. 4

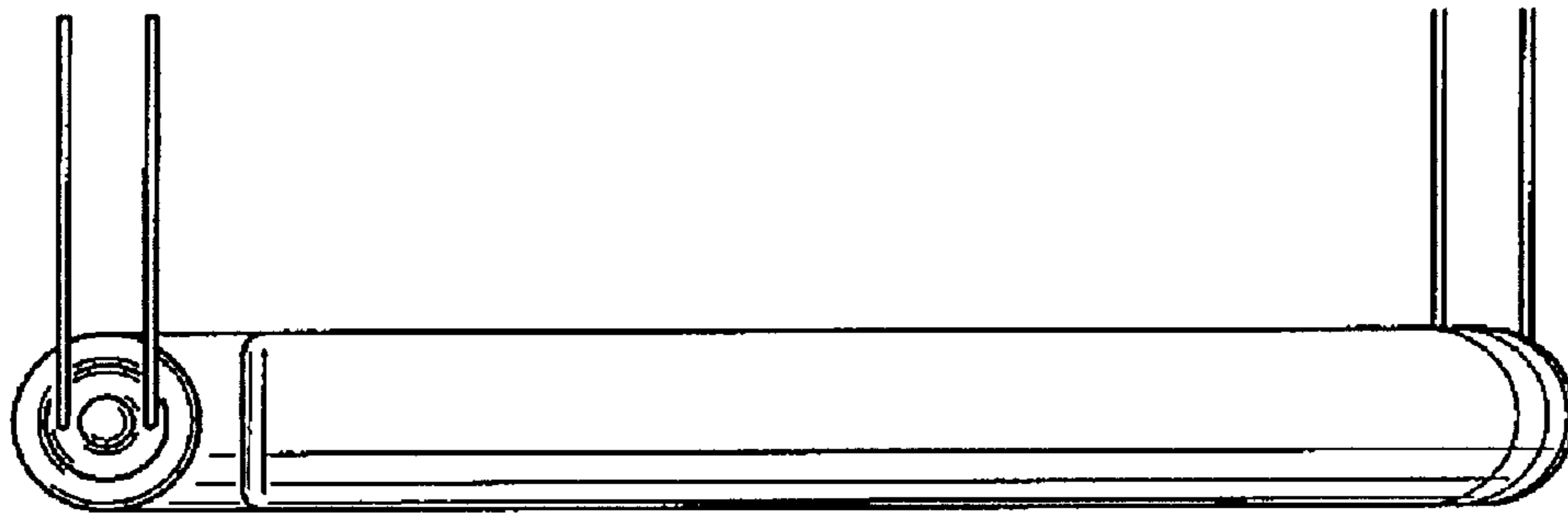


FIG. 5

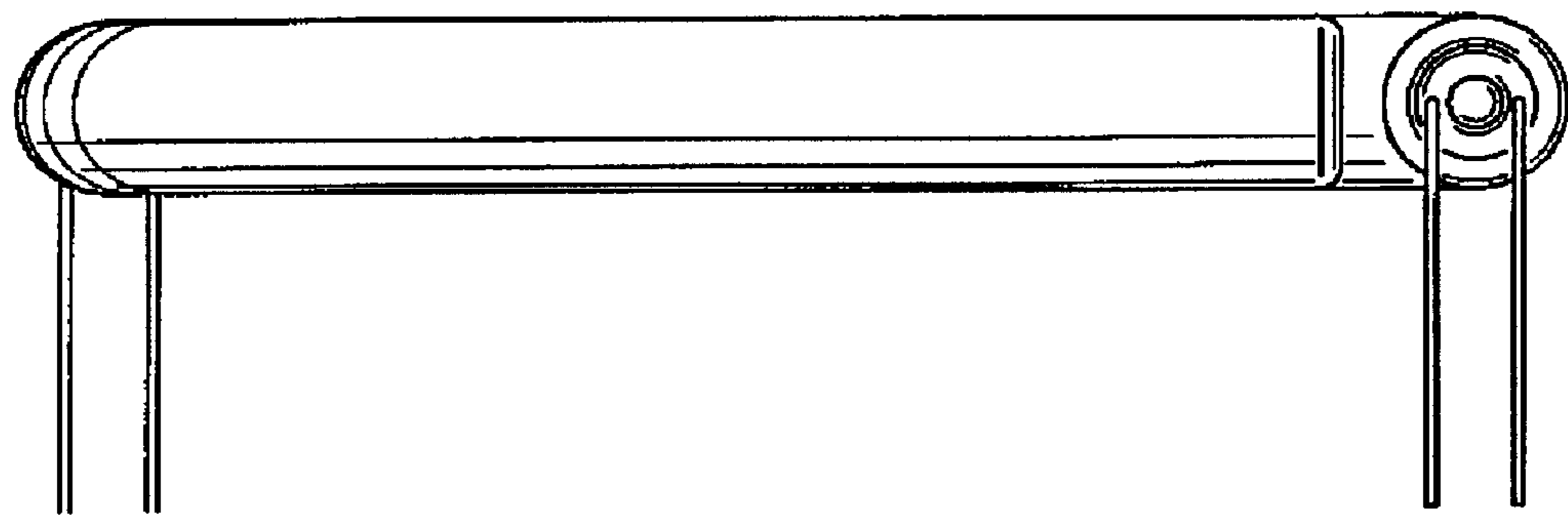


FIG. 6

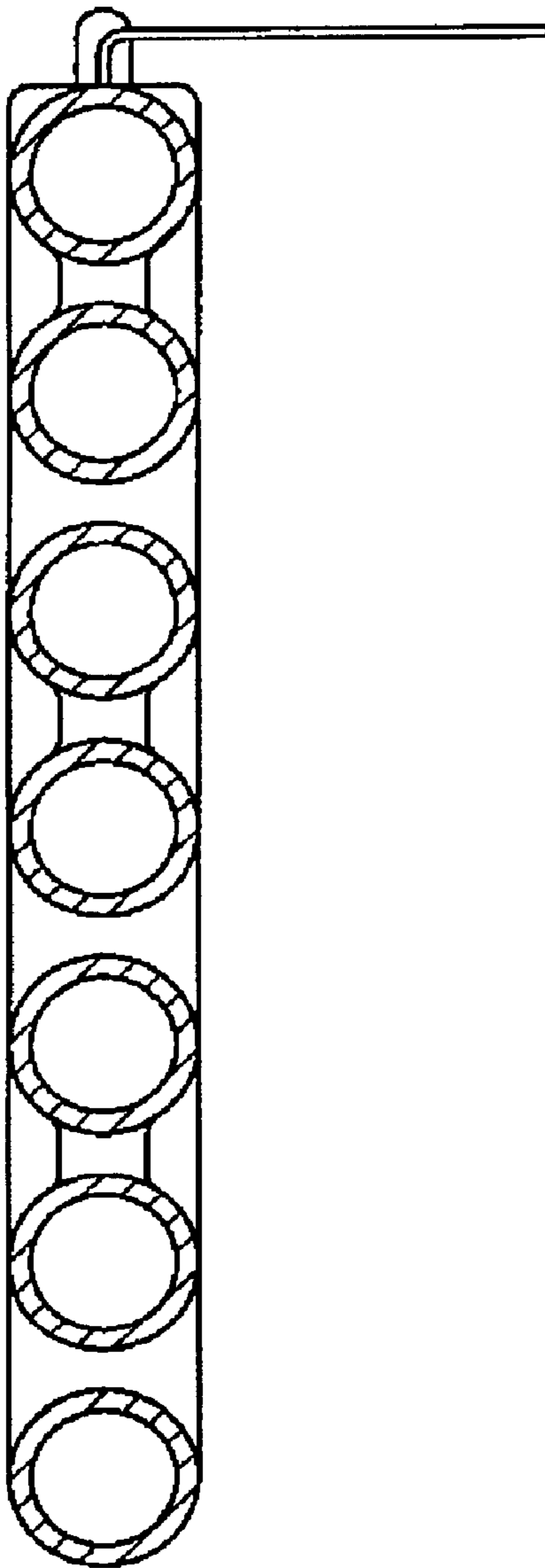


FIG. 7

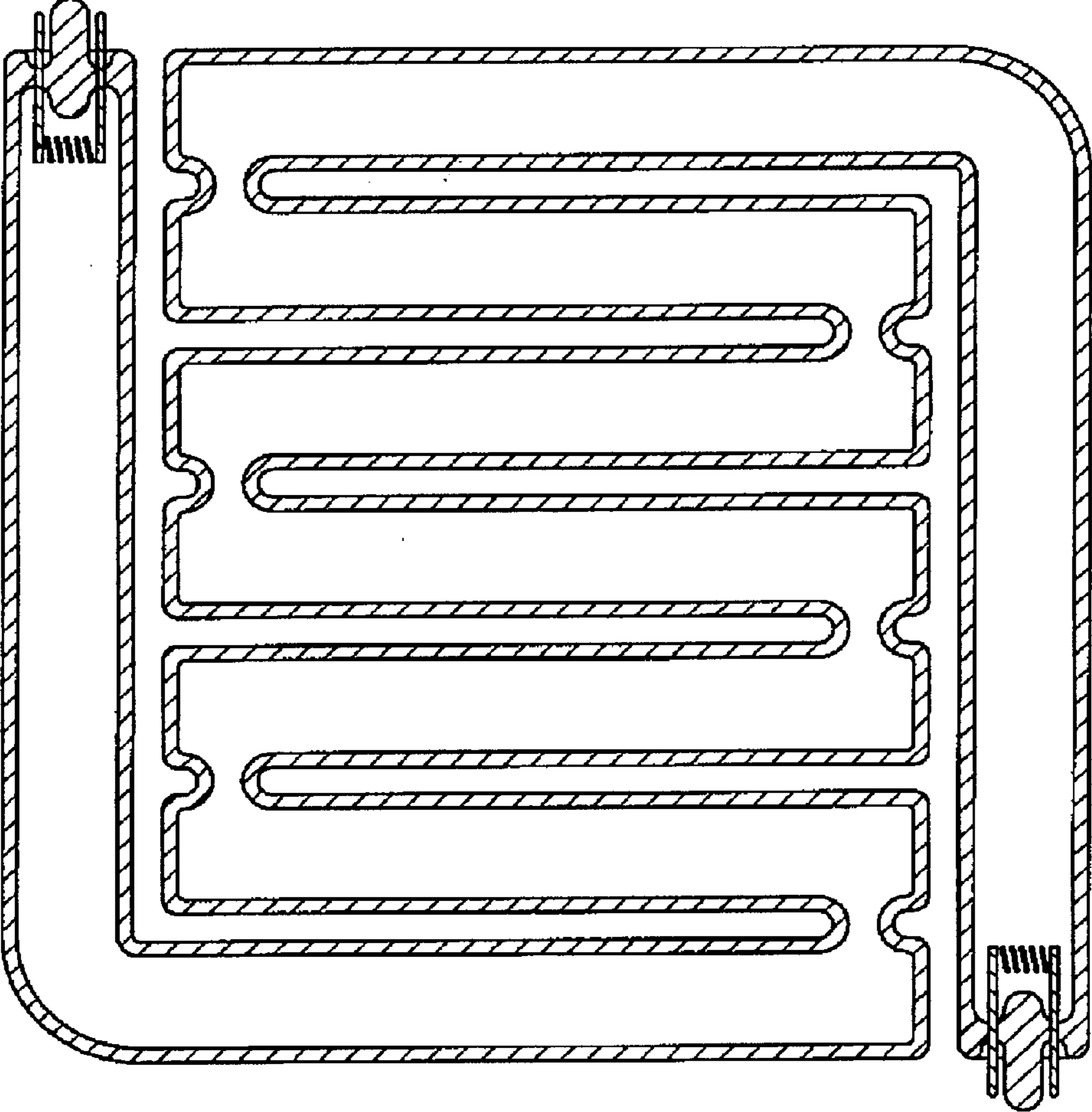


FIG. 8