

US00D509599S

(12) **United States Design Patent**
MacDonald

(10) **Patent No.:** **US D509,599 S**

(45) **Date of Patent:** **** Sep. 13, 2005**

(54) **HANDRAIL**

(76) **Inventor:** **Steven P. MacDonald**, 495 Manchester Rd., Auburn, NH (US) 03032

(**) **Term:** **14 Years**

(21) **Appl. No.:** **29/210,013**

(22) **Filed:** **Jul. 26, 2004**

(51) **LOC (8) Cl.** **25-01**

(52) **U.S. Cl.** **D25/121**

(58) **Field of Search** D25/121, 126,
D25/38; 52/745.05; 256/13.1, 59

(56) **References Cited**

U.S. PATENT DOCUMENTS

D291,831 S	9/1987	Noyce	
D344,141 S	* 2/1994	Wonderly D25/119
6,702,259 B2	* 3/2004	Pratt 256/65.03

* cited by examiner

Primary Examiner—Doris Clark
(74) *Attorney, Agent, or Firm*—Maine & Asmus

(57) **CLAIM**

The ornamental design for a handrail, as shown and described.

DESCRIPTION

FIG. 1 is a perspective view of a handrail of the present invention;

FIG. 2 is a front view thereof;

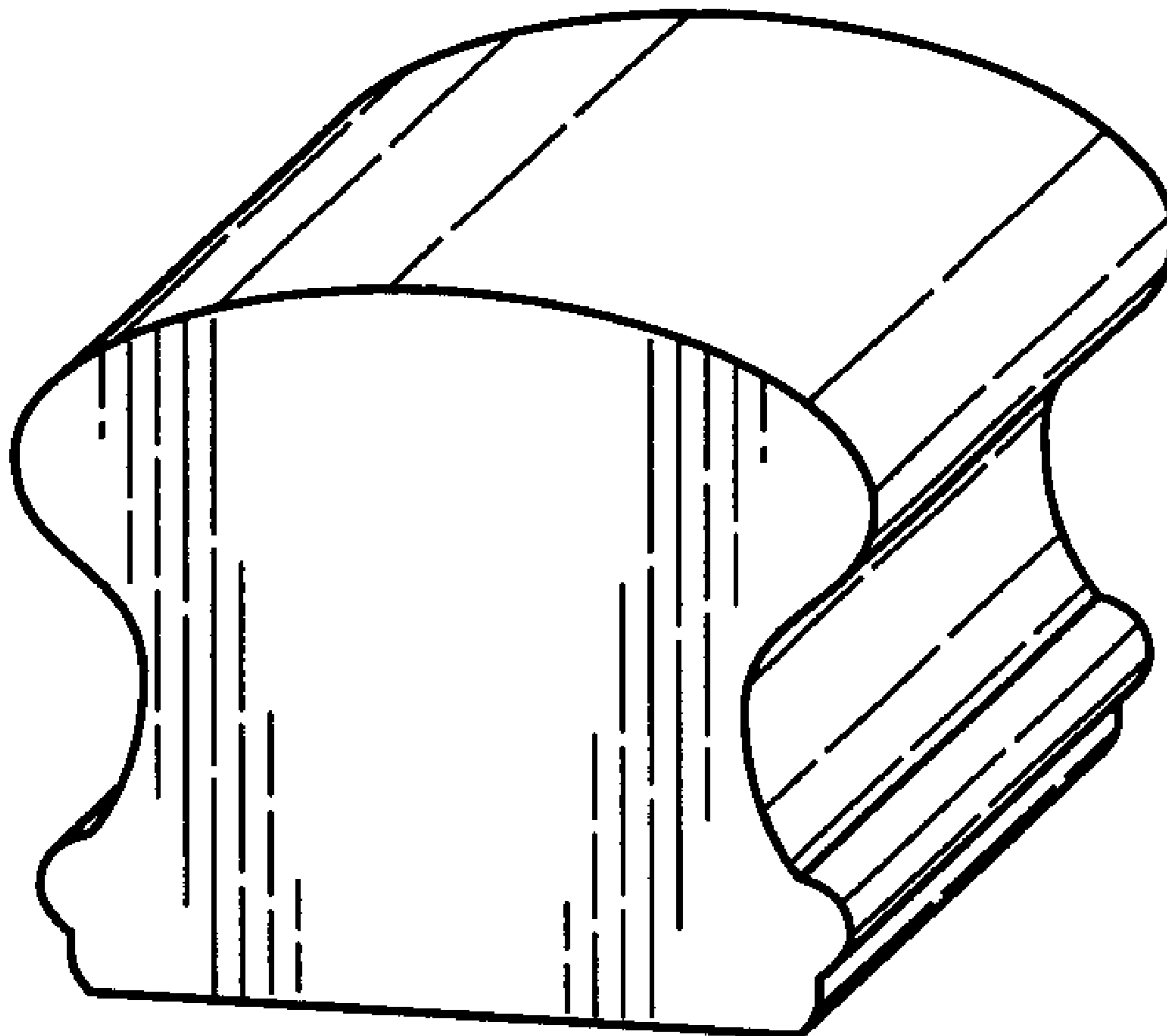
FIG. 3 is a side view thereof;

FIG. 4 is a bottom planar view thereof; and,

FIG. 5 is a top planar view thereof.

The handrail is shown fragmented on the ends to disclose indefinite length.

1 Claim, 1 Drawing Sheet



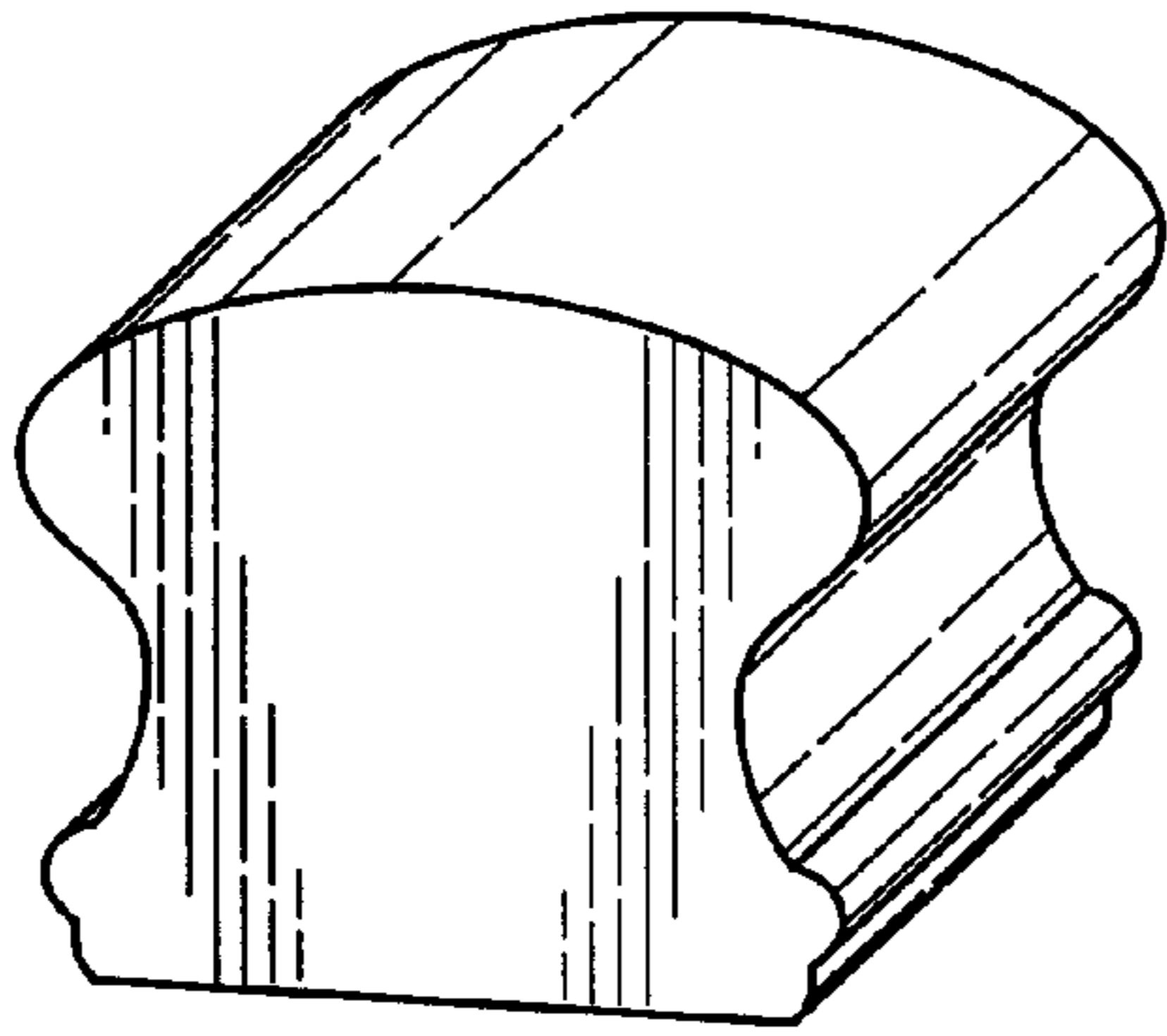


FIG. 1

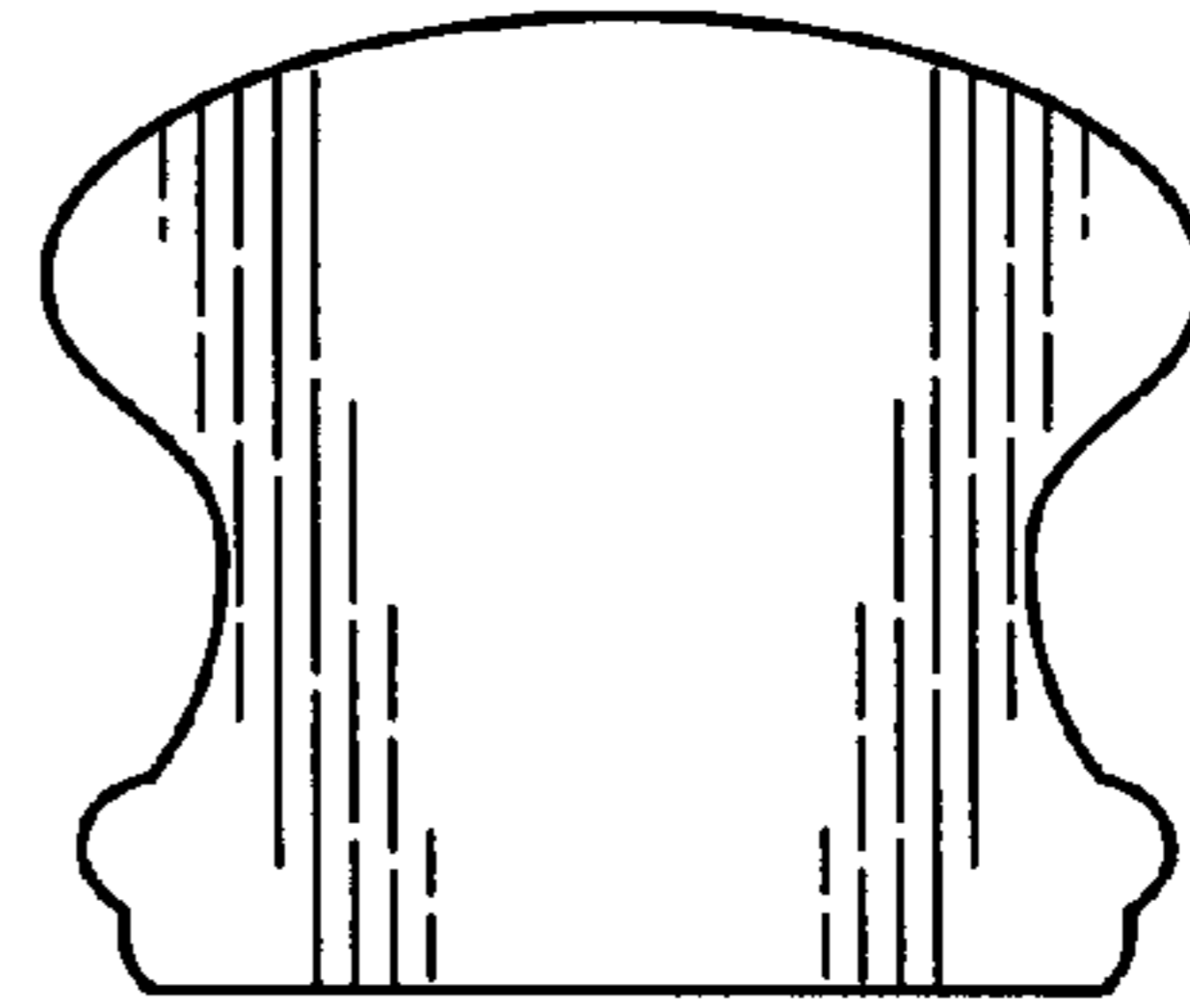


FIG. 2

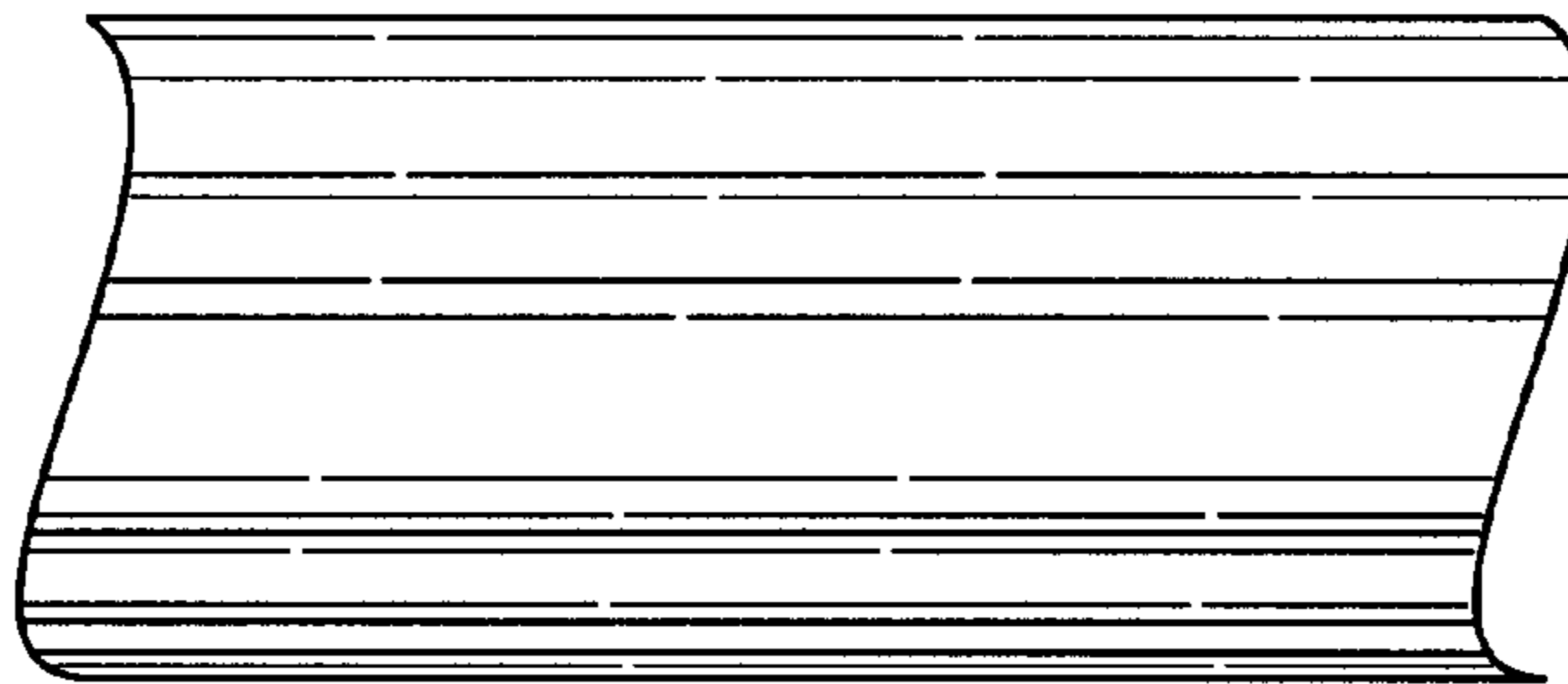


FIG. 3



FIG. 4

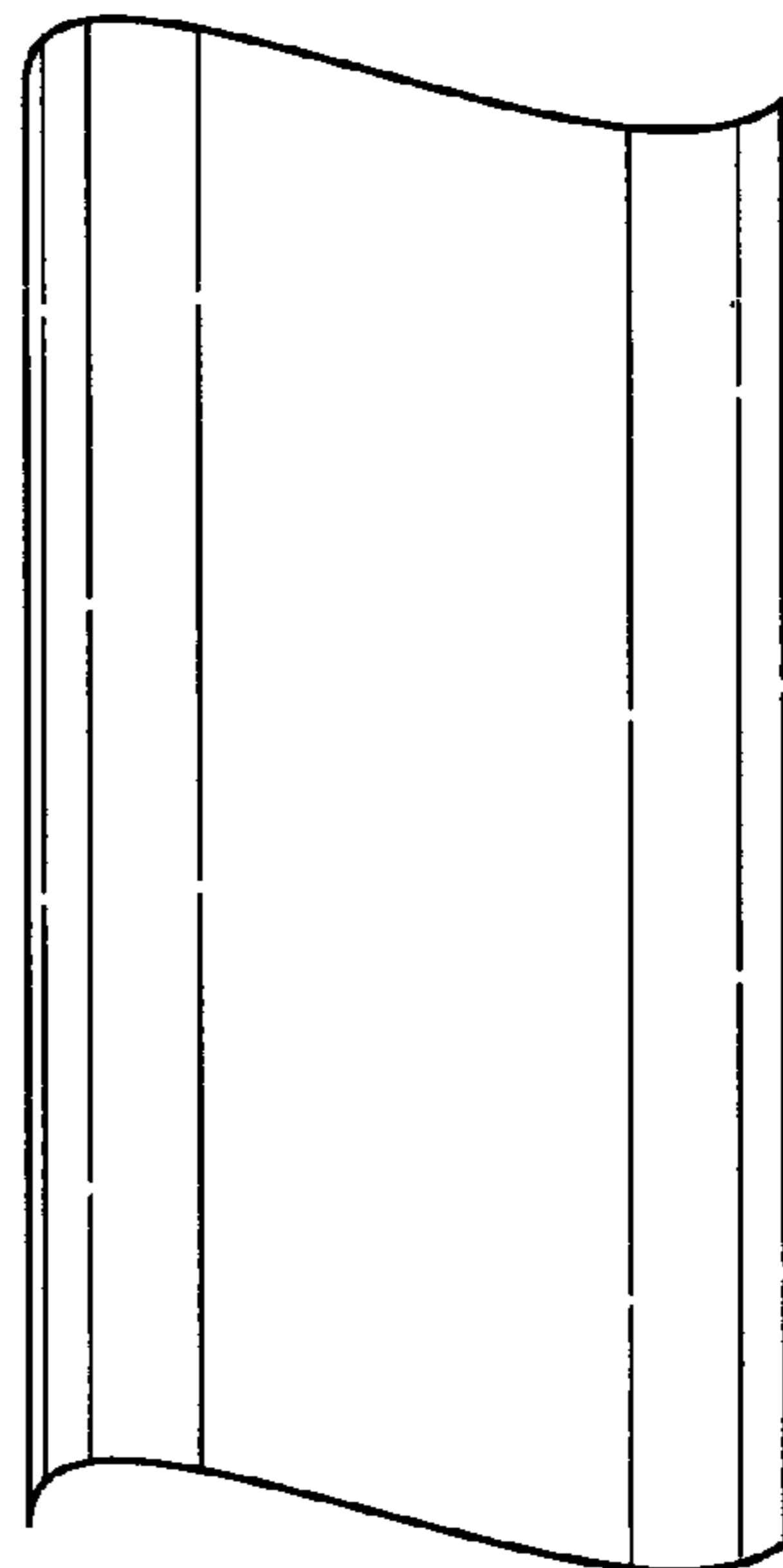


FIG. 5