

US00D509597S

(12) **United States Design Patent**
Yanagisawa

(10) **Patent No.:** **US D509,597 S**

(45) **Date of Patent:** **** Sep. 13, 2005**

(54) **CONSTRUCTION CONCRETE BLOCK**

D467,668 S * 12/2002 Slagnes D25/113

(76) **Inventor:** **Paul Yanagisawa**, 2019 Crestlake AV,
South Pasadena, CA (US) 91030

* cited by examiner

Primary Examiner—Robert A. Delehanty

(74) *Attorney, Agent, or Firm*—Donald W. Meeker

(**) **Term:** **14 Years**

(57) **CLAIM**

(21) **Appl. No.:** **29/200,231**

The ornamental design for a construction concrete block, as shown.

(22) **Filed:** **Feb. 24, 2004**

DESCRIPTION

(51) **LOC (8) Cl.** **25-01**

(52) **U.S. Cl.** **D25/115**

(58) **Field of Search** D25/112–118,
D25/164, 151; D21/483–486, 499–505;
405/15–16, 284, 286; 404/34, 37–42, 44–45;
52/102, 503–505, 596–609, 612

FIG. 1 is a perspective view of the construction concrete block;

FIG. 2 is a front elevational view of the construction concrete block;

FIG. 3 is a side elevational view of the construction concrete block;

FIG. 4 is a top plan view of the construction concrete block;

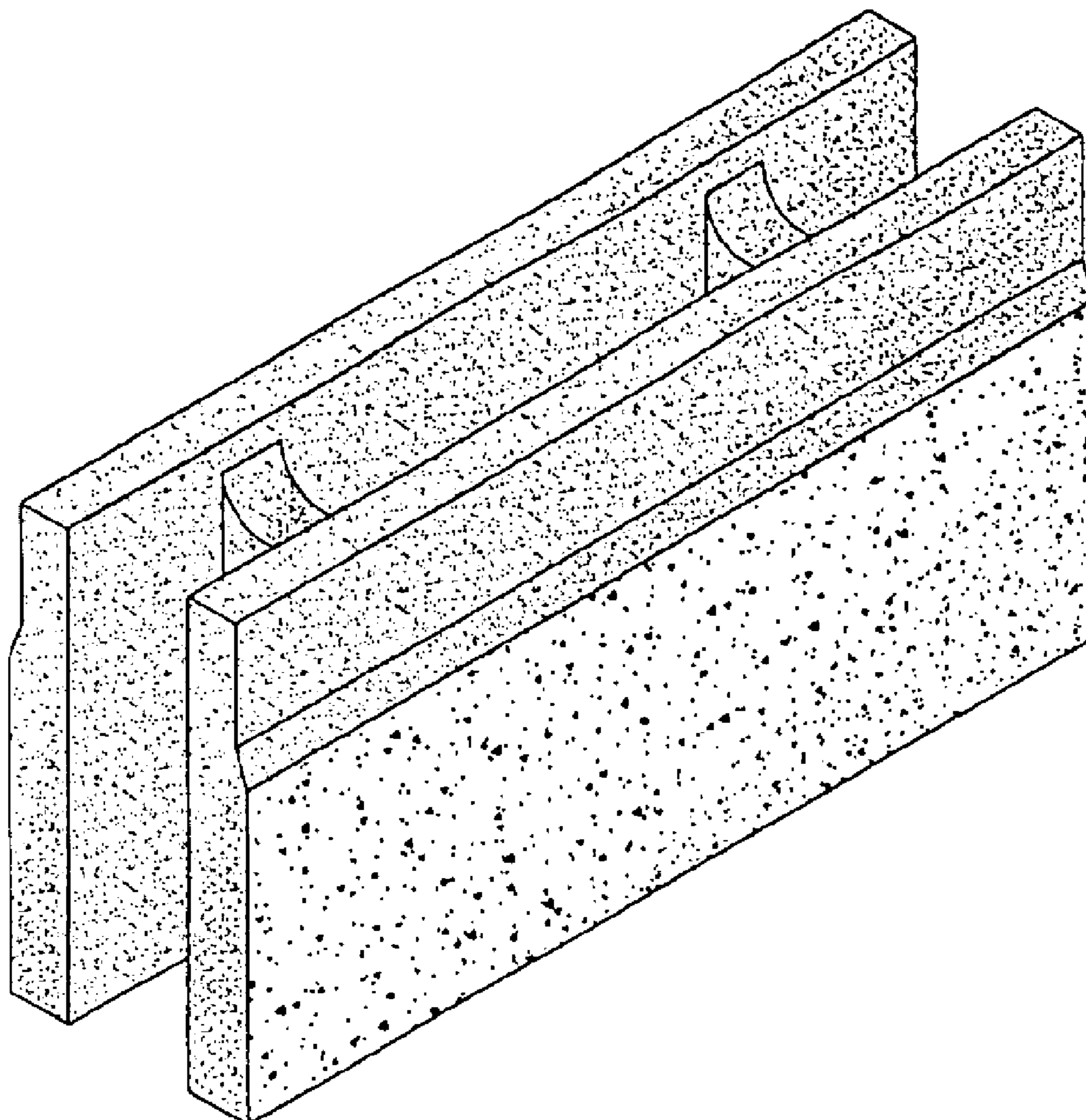
and,
FIG. 5 is a bottom plan view of the construction concrete block.

(56) **References Cited**

U.S. PATENT DOCUMENTS

5,465,542 A * 11/1995 Terry D25/118
5,865,005 A * 2/1999 Cataldo 52/598
D456,527 S * 4/2002 Azar D25/113

1 Claim, 1 Drawing Sheet



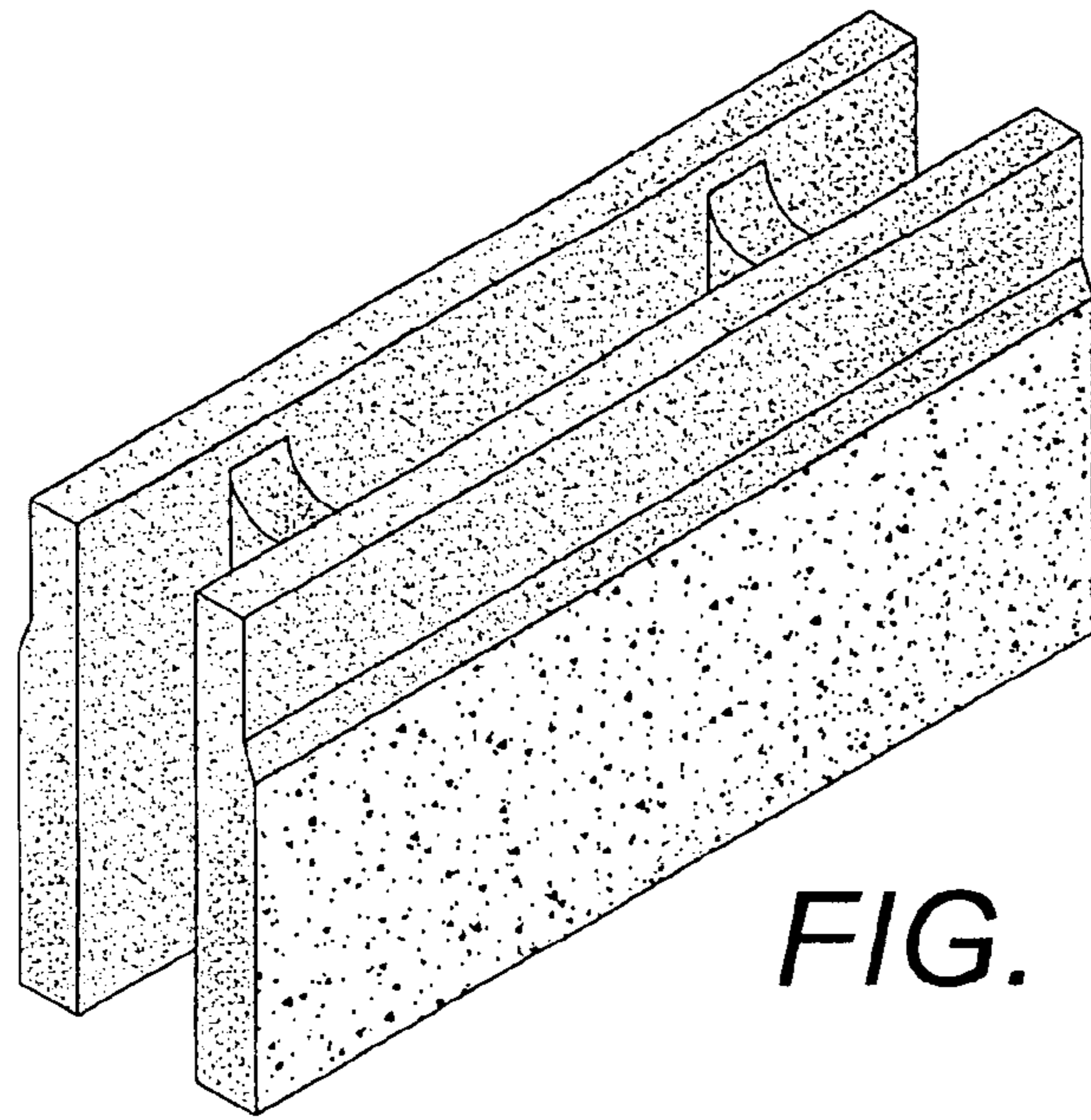


FIG. 1

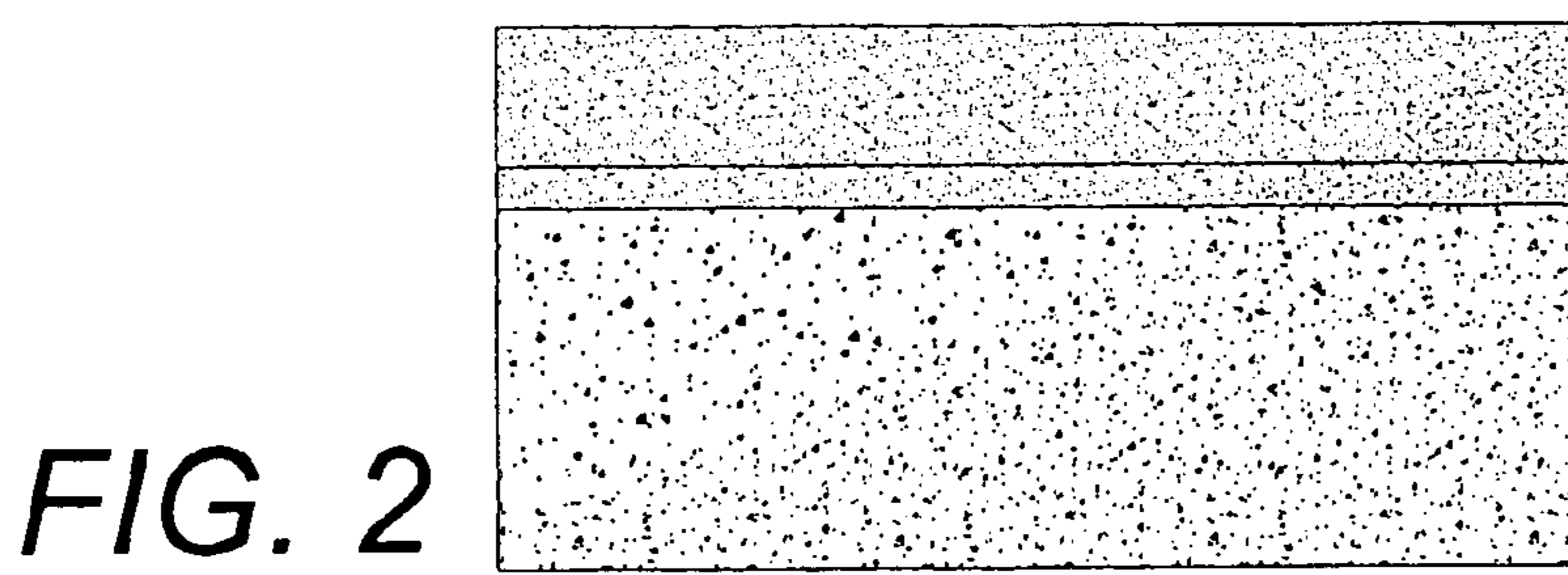


FIG. 2

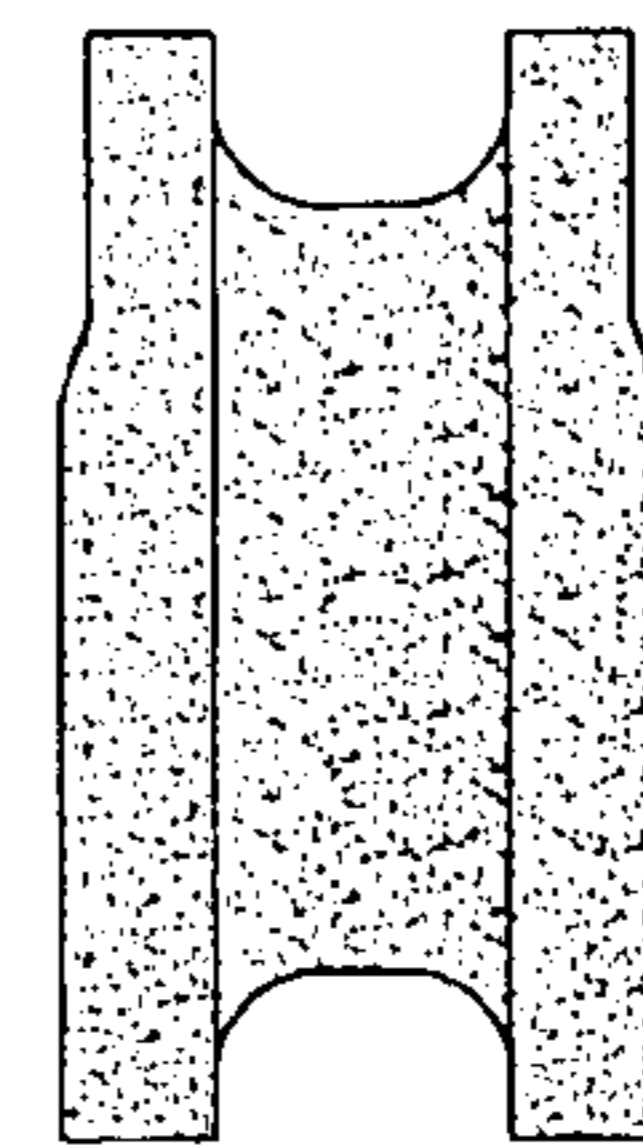


FIG. 3

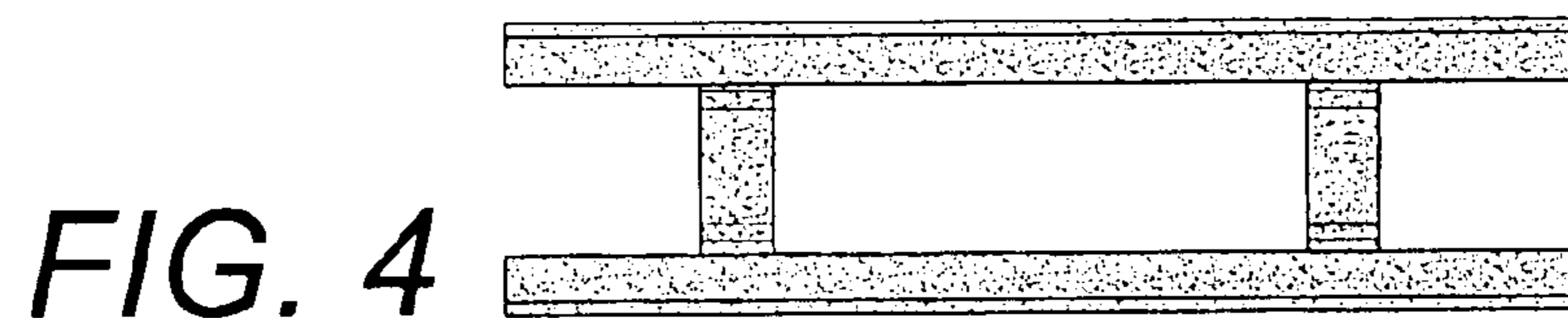


FIG. 4

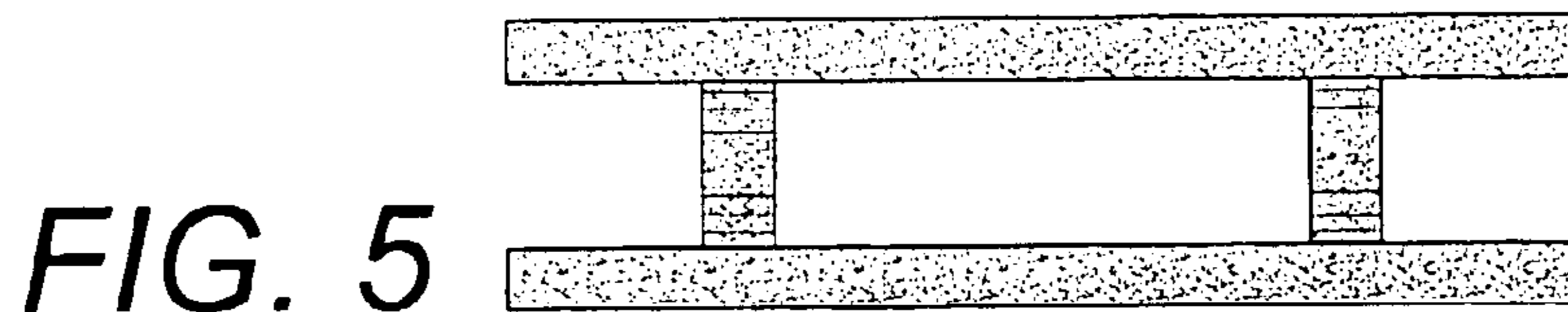


FIG. 5