



US00D509596S

(12) **United States Design Patent**
Cant

(10) **Patent No.:** **US D509,596 S**

(45) **Date of Patent:** **** Sep. 13, 2005**

(54) **PAVING OR BORDER BRICK**

(75) **Inventor:** **Richard Samuel Cant**, Bulleen (AU)

(73) **Assignee:** **Jagna Ltd.**, Thornhill (CA)

(**) **Term:** **14 Years**

(21) **Appl. No.:** **29/191,937**

(22) **Filed:** **Oct. 16, 2003**

(30) **Foreign Application Priority Data**

Apr. 16, 2003 (AU) 1282/03

(51) **LOC (8) Cl.** **25-01**

(52) **U.S. Cl.** **D25/113**

(58) **Field of Search** D25/112-118,
D25/164, 199; D21/483-486, 499-500;
404/17, 19-20, 27-31, 34-42; 52/102, 596,
574, 612, 603-609

(56) **References Cited**

U.S. PATENT DOCUMENTS

6,811,352 B1 * 11/2004 Meerkerk 52/604

* cited by examiner

Primary Examiner—Robert A. Delehanty

(74) *Attorney, Agent, or Firm*—Collard & Roe, P.C.

(57) **CLAIM**

The ornamental design for a paving or border brick, as shown and described.

DESCRIPTION

FIG. 1 is a front perspective view of a paving or border brick, showing my new design;

FIG. 2 is another front perspective view taken from a different angle;

FIG. 3 is a top plan view thereof;

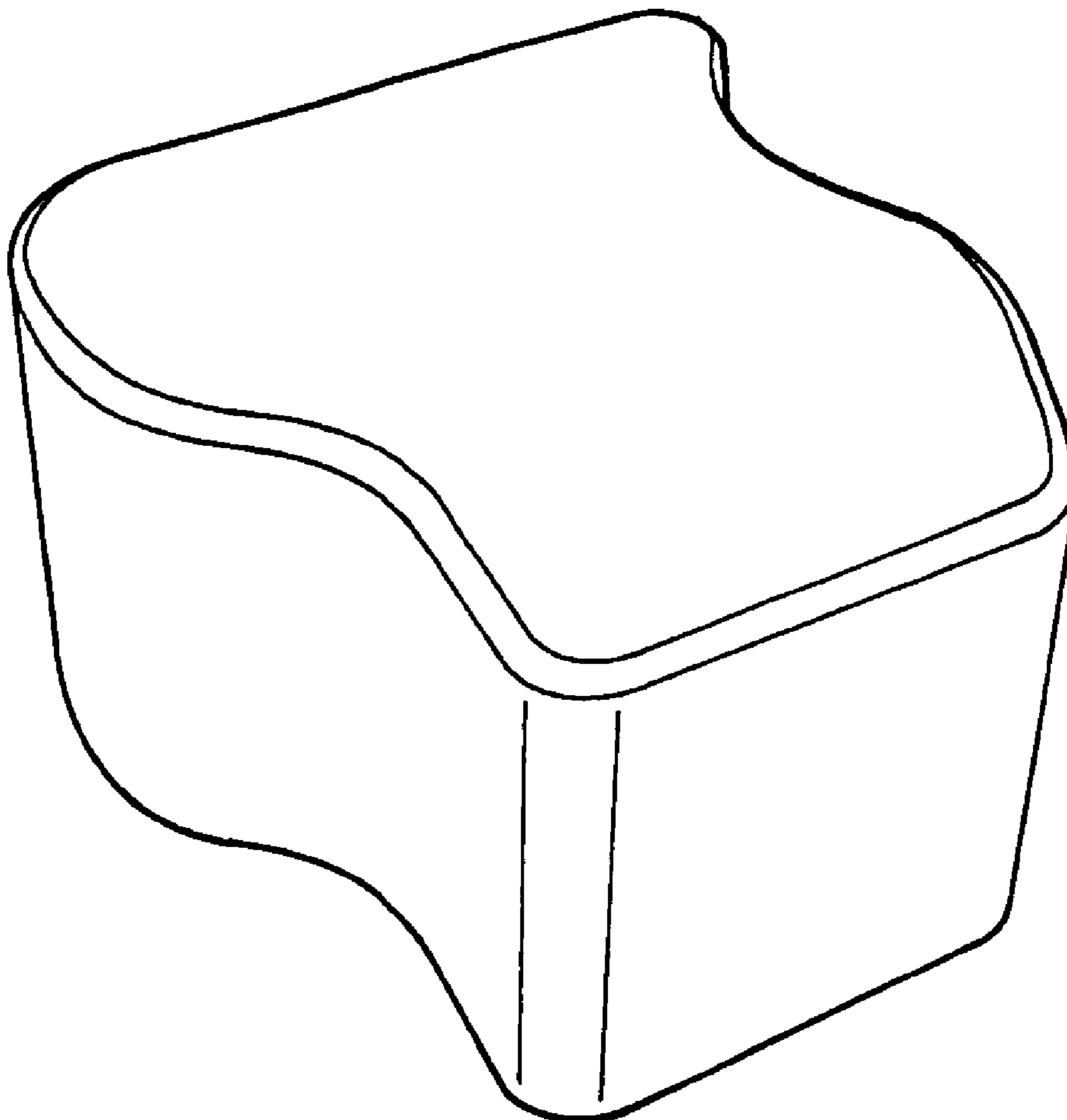
FIG. 4 is a perspective view of a combination of several bricks as shown in FIGS. 1 and 3, blocks assembled to form a curve;

FIG. 5 is a top plan view of the assembly shown in FIG. 4; and,

FIG. 6 is a perspective view of a plurality of bricks as shown in FIGS. 1 to 3, assembled in such a manner as to be aligned.

The broken line showing like blocks is for illustrative purposes only and forms no part of the claimed design.

1 Claim, 4 Drawing Sheets



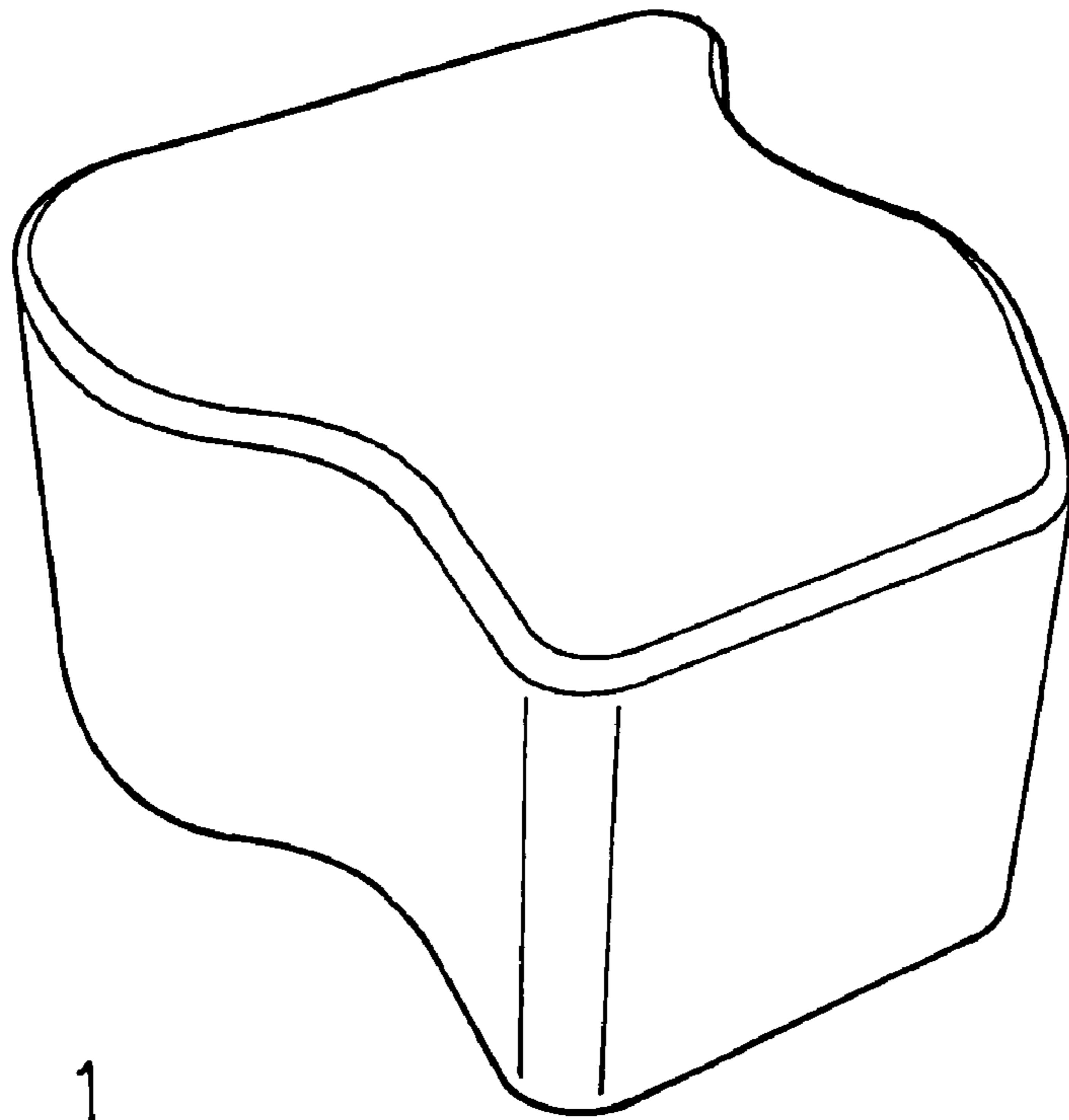


FIG. 1

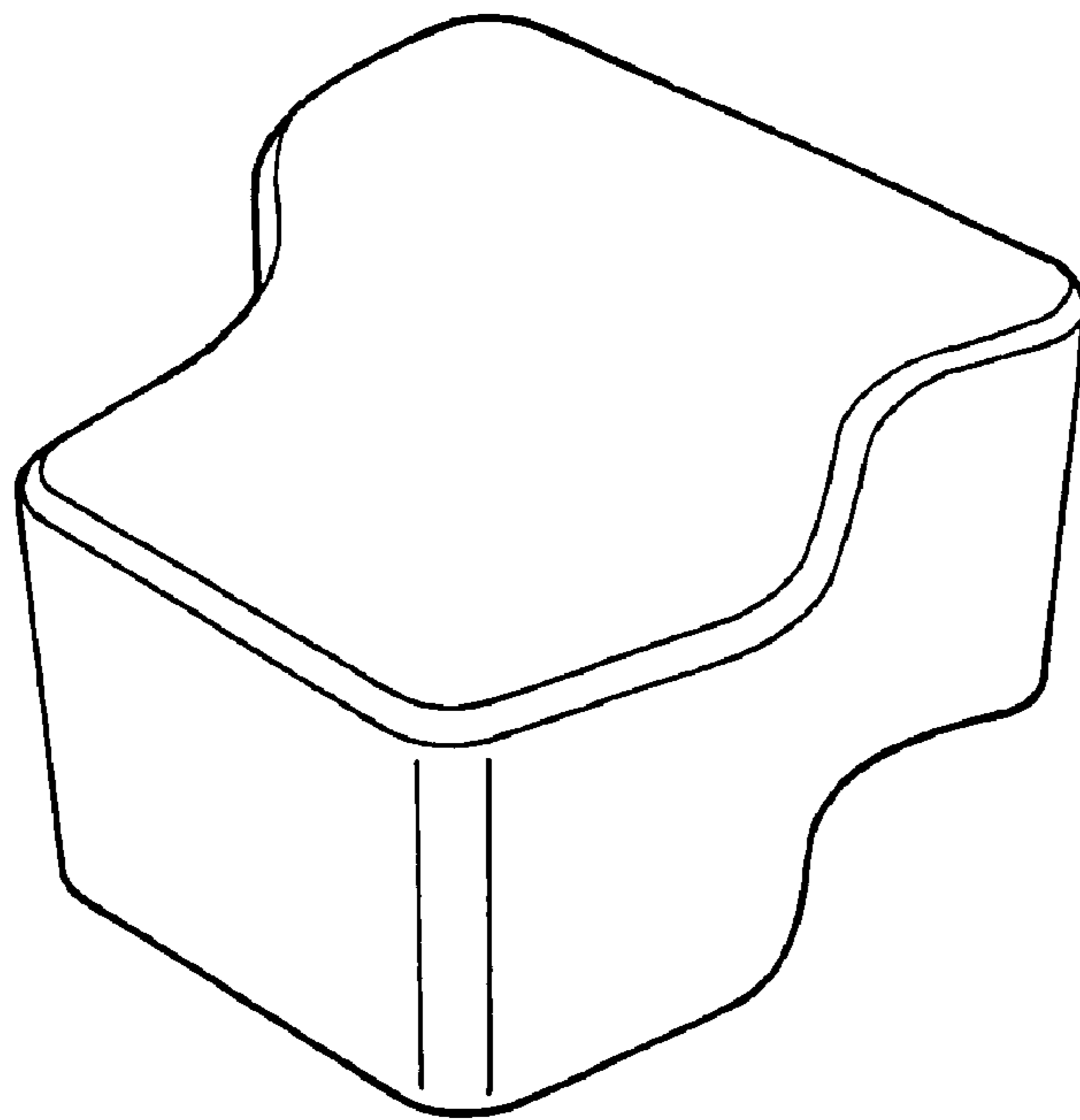


FIG. 2

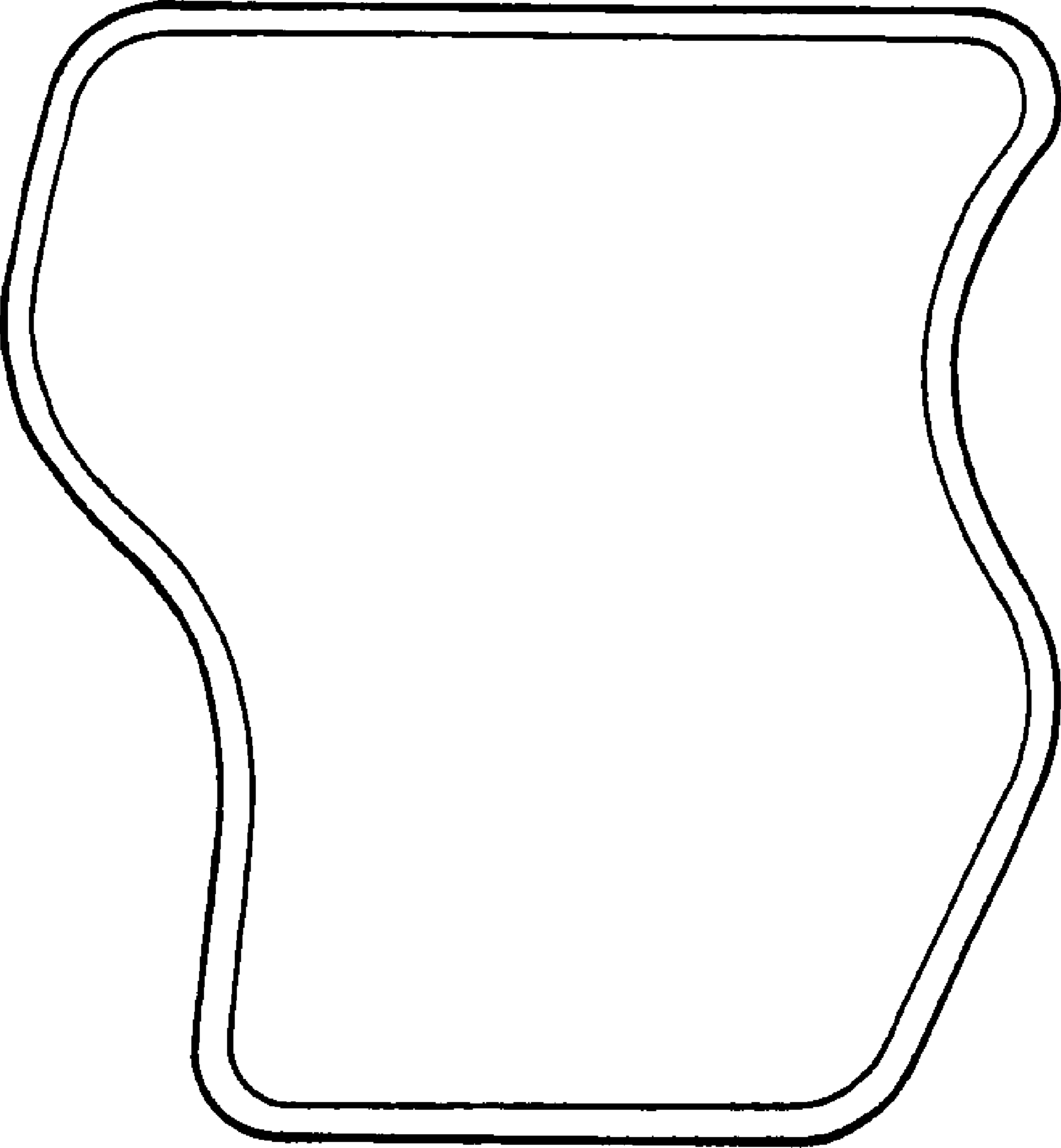


FIG. 3

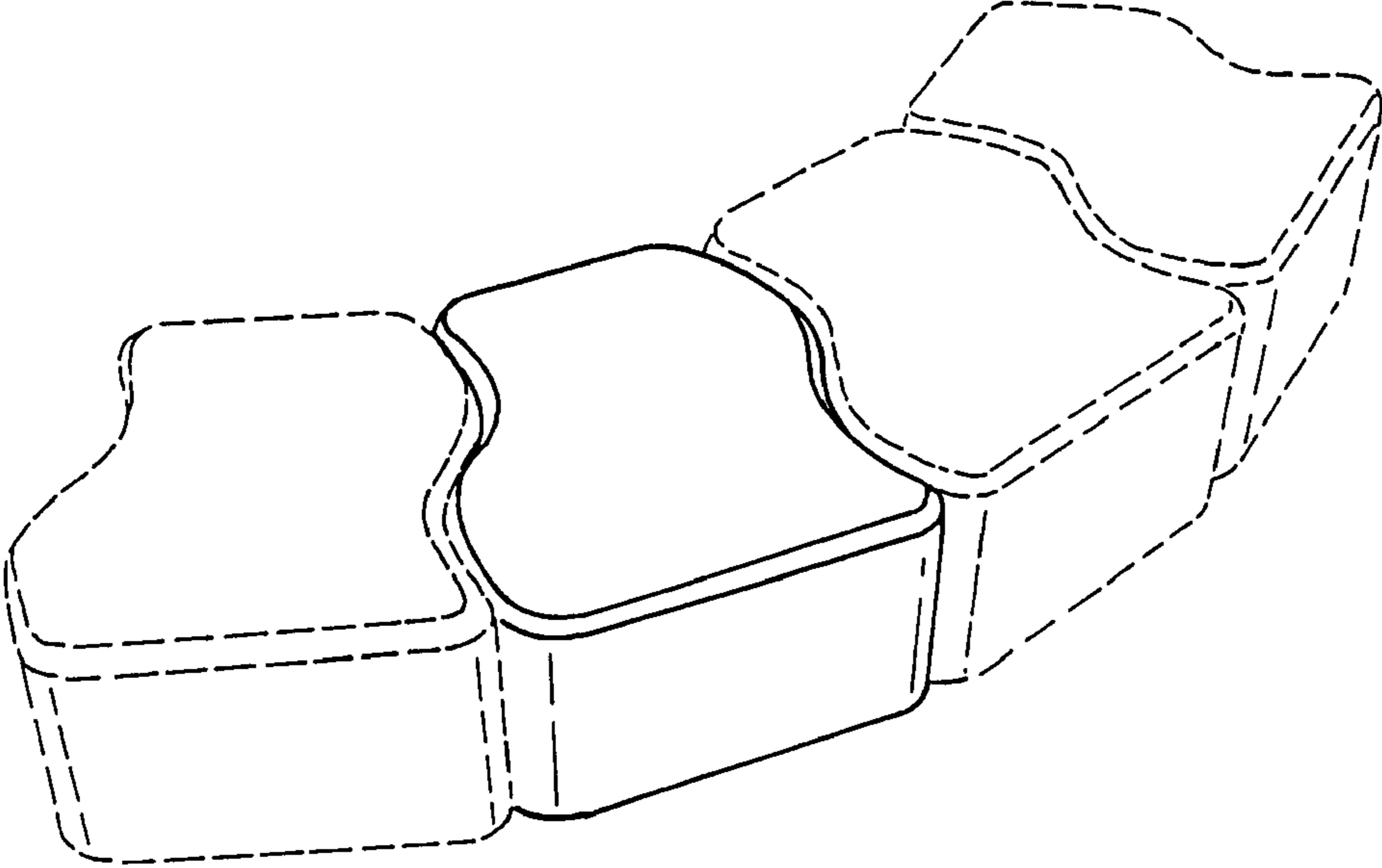


FIG. 4

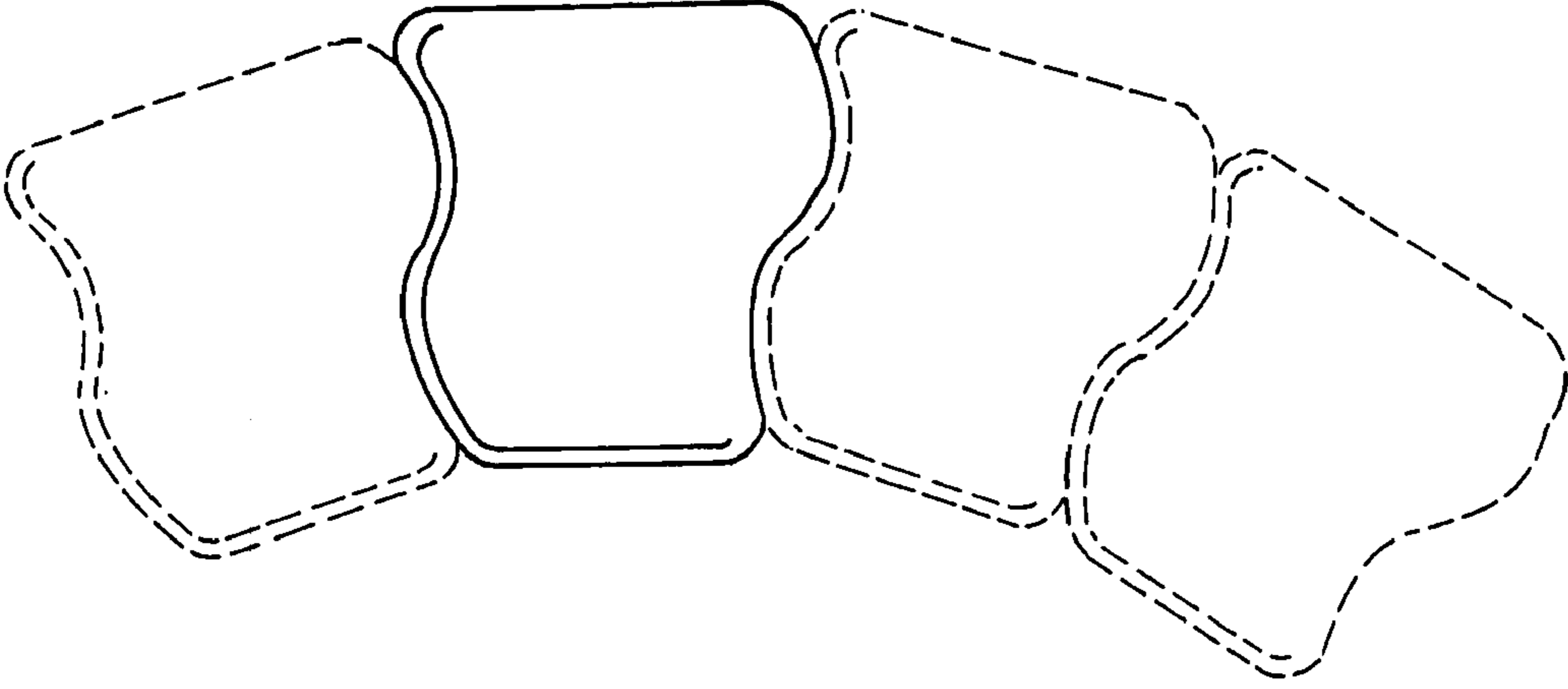


FIG. 5

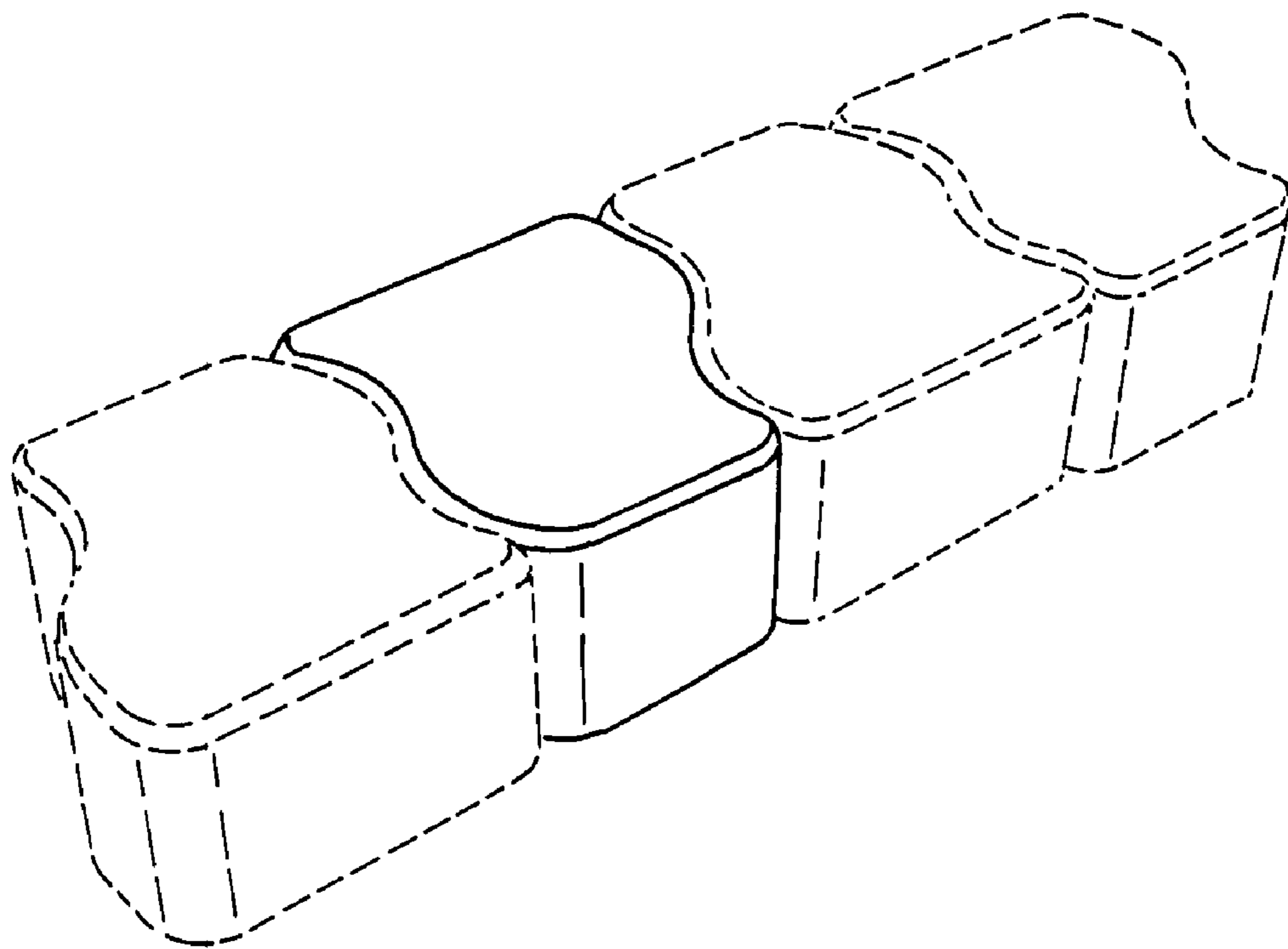


FIG. 6