



US00D509591S

(12) **United States Design Patent**  
Tomioka et al.

(10) **Patent No.:** **US D509,591 S**  
(45) **Date of Patent:** **\*\* Sep. 13, 2005**

(54) **PULSE WAVE MEASURING INSTRUMENT WITH A SPHYGMOMANOMETER**

D459,813 S \* 7/2002 Ramsey, III ..... D24/186  
D475,137 S \* 5/2003 Manke et al. .... D24/165

(75) Inventors: **Shigeru Tomioka**, Kyoto (JP); **Takashi Inagaki**, Kyoto (JP); **Tadashi Koike**, Kyoto (JP); **So Noguchi**, Osaka (JP); **Hidekazu Yagi**, Osaka (JP)

\* cited by examiner

*Primary Examiner*—Ian Simmons  
*Assistant Examiner*—Daniel Yu  
(74) *Attorney, Agent, or Firm*—Dickstein Shapiro Morin & Oshinsky LLP

(73) Assignee: **Omron Healthcare Co., Ltd.**, Kyoto (JP)

(57) **CLAIM**

(\*\*) Term: **14 Years**

The ornamental design for a pulse wave measuring instrument with a sphygmomanometer, as shown and described.

(21) Appl. No.: **29/203,777**

**DESCRIPTION**

(22) Filed: **Apr. 20, 2004**

(30) **Foreign Application Priority Data**

Oct. 21, 2003 (JP) ..... D2003-031030

(51) **LOC (8) Cl.** ..... **24-02**

(52) **U.S. Cl.** ..... **D24/165**

(58) **Field of Search** ..... D24/165, 167,  
D24/169, 186, 188; 600/479, 480, 481,  
485, 500

FIG. 1 is a front perspective view of a pulse wave measuring instrument with a sphygmomanometer showing our new design;

FIG. 2 is a front view thereof;

FIG. 3 is a rear view thereof;

FIG. 4 is a top view thereof;

FIG. 5 is a bottom view thereof;

FIG. 6 is a right side elevational view thereof; and,

FIG. 7 is a left side elevational view.

The broken line showing of the body of the pulse wave measuring instrument with a sphygmomanometer is for illustrative purposes only and forms no part of the claimed design.

(56) **References Cited**

**U.S. PATENT DOCUMENTS**

D340,769 S \* 10/1993 Bloom et al. .... D24/165  
6,405,075 B1 \* 6/2002 Levin ..... 600/480

**1 Claim, 7 Drawing Sheets**

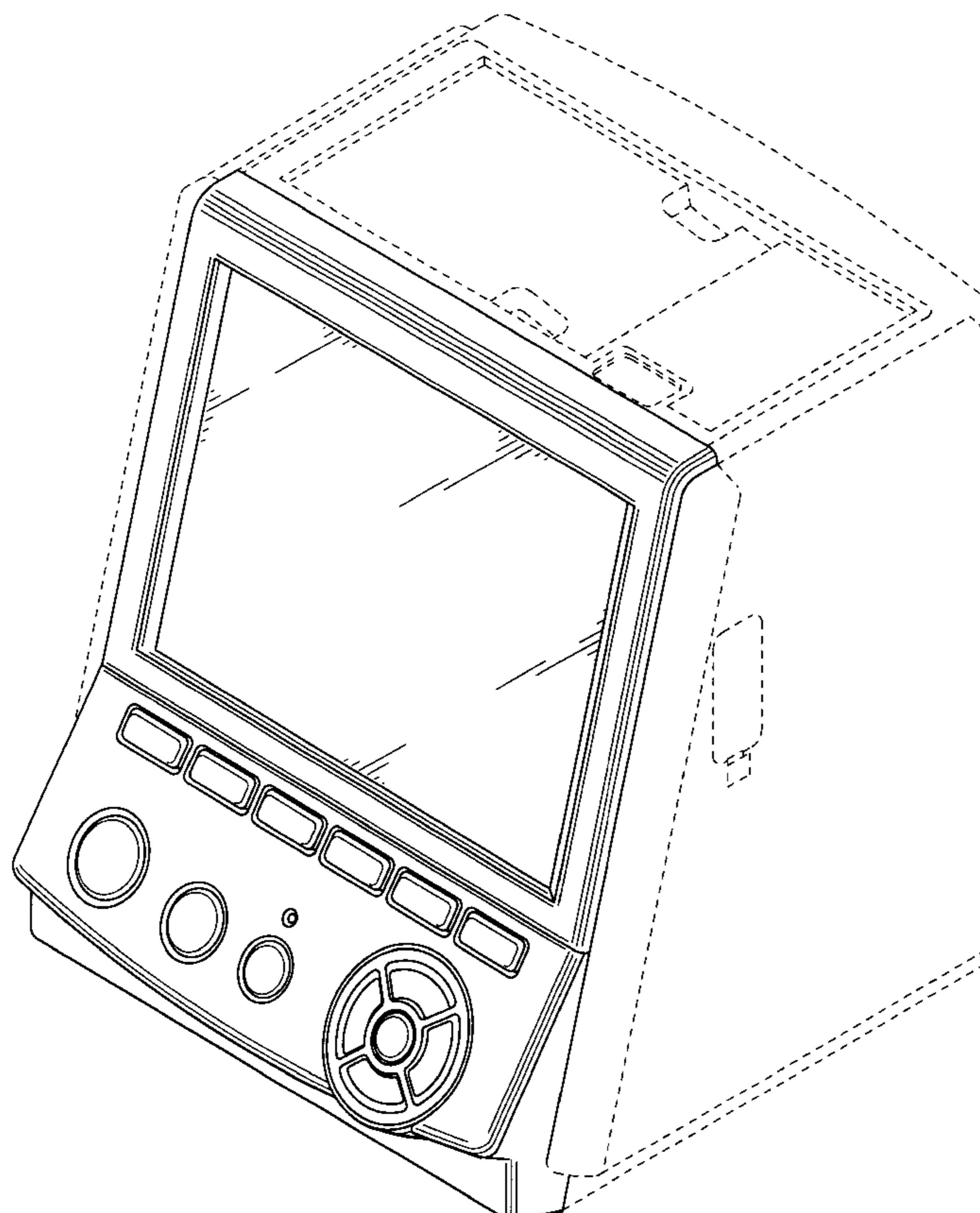


FIG. 1

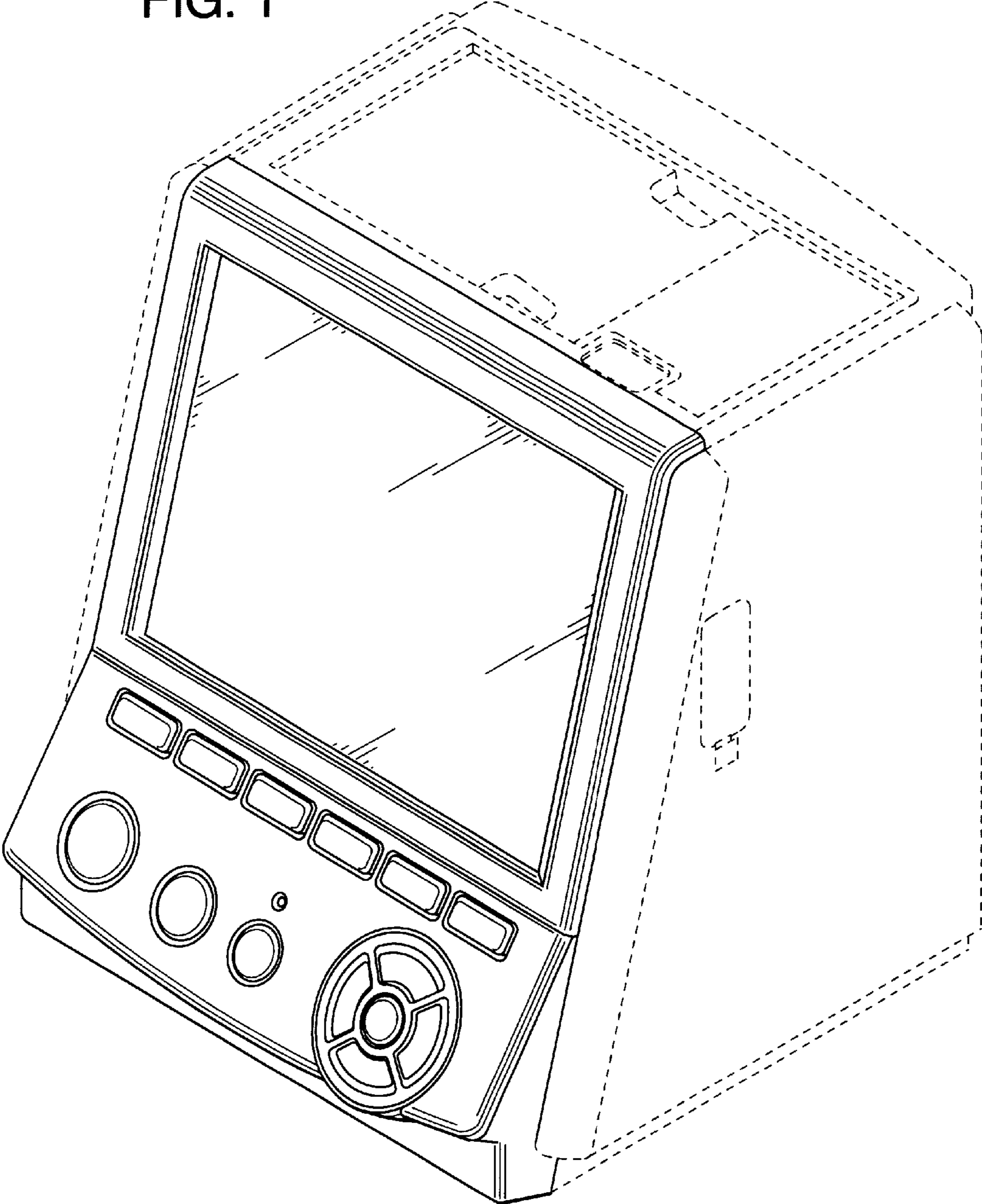


FIG. 2

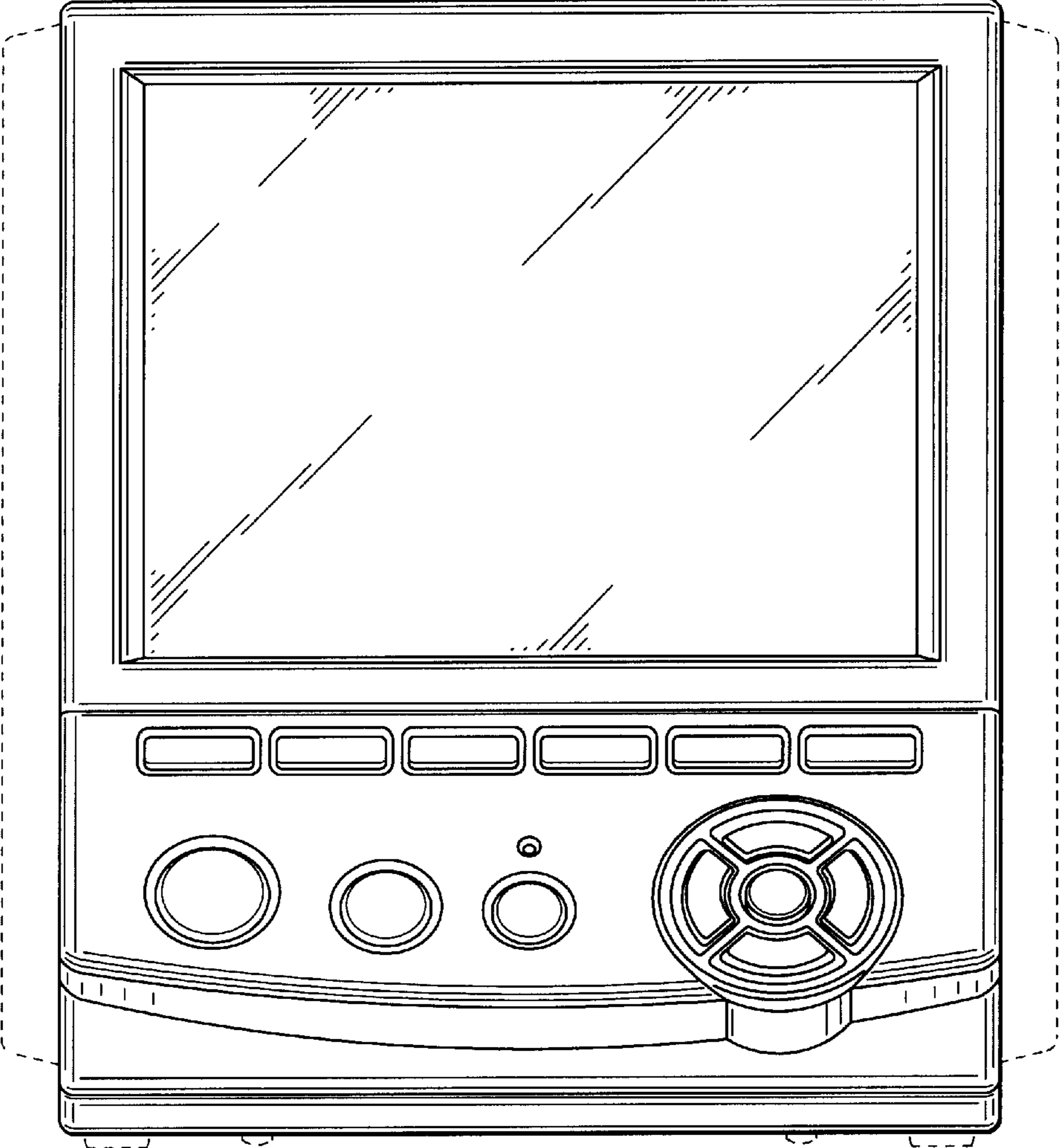


FIG. 3

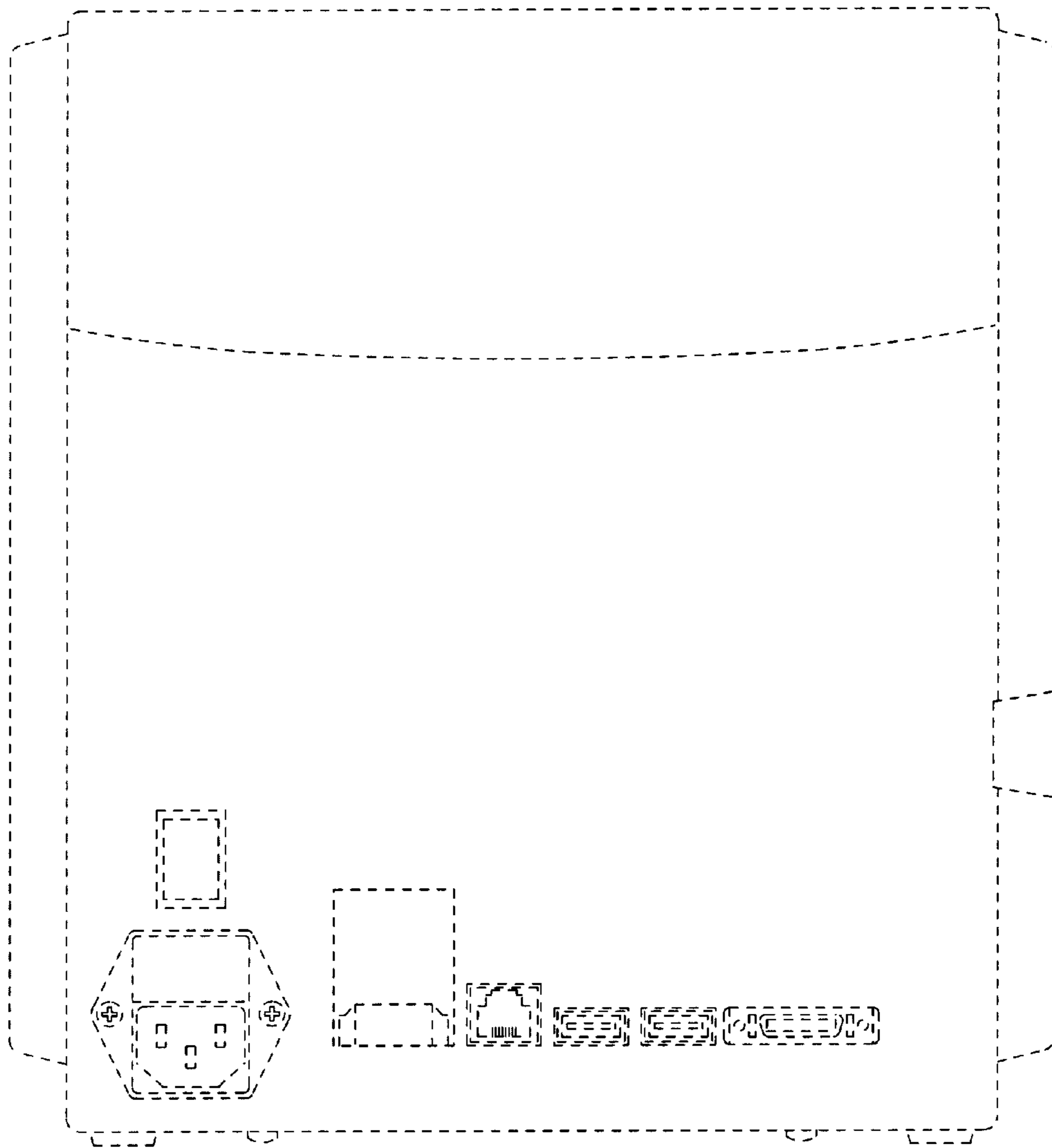


FIG. 4

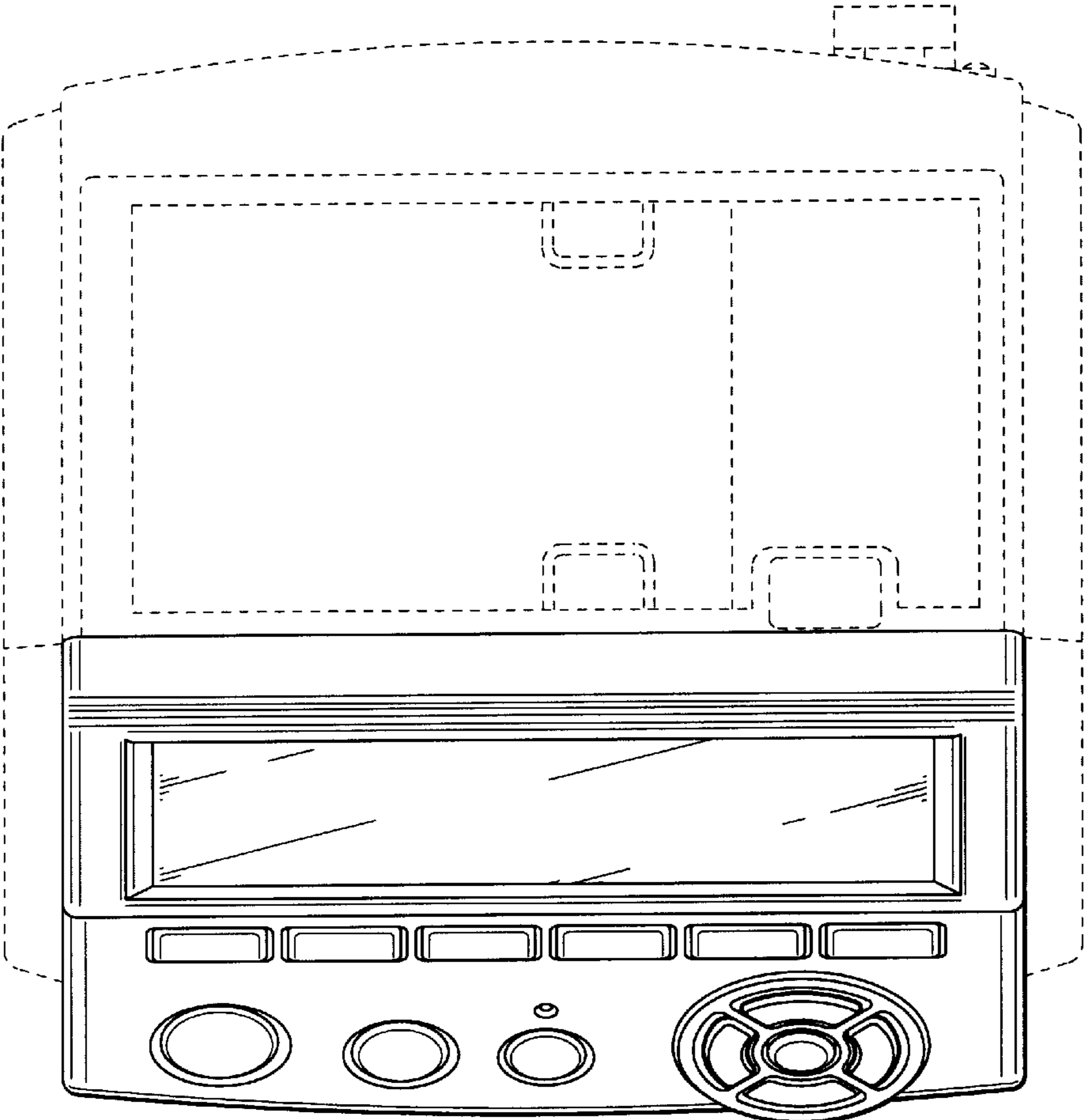


FIG. 5

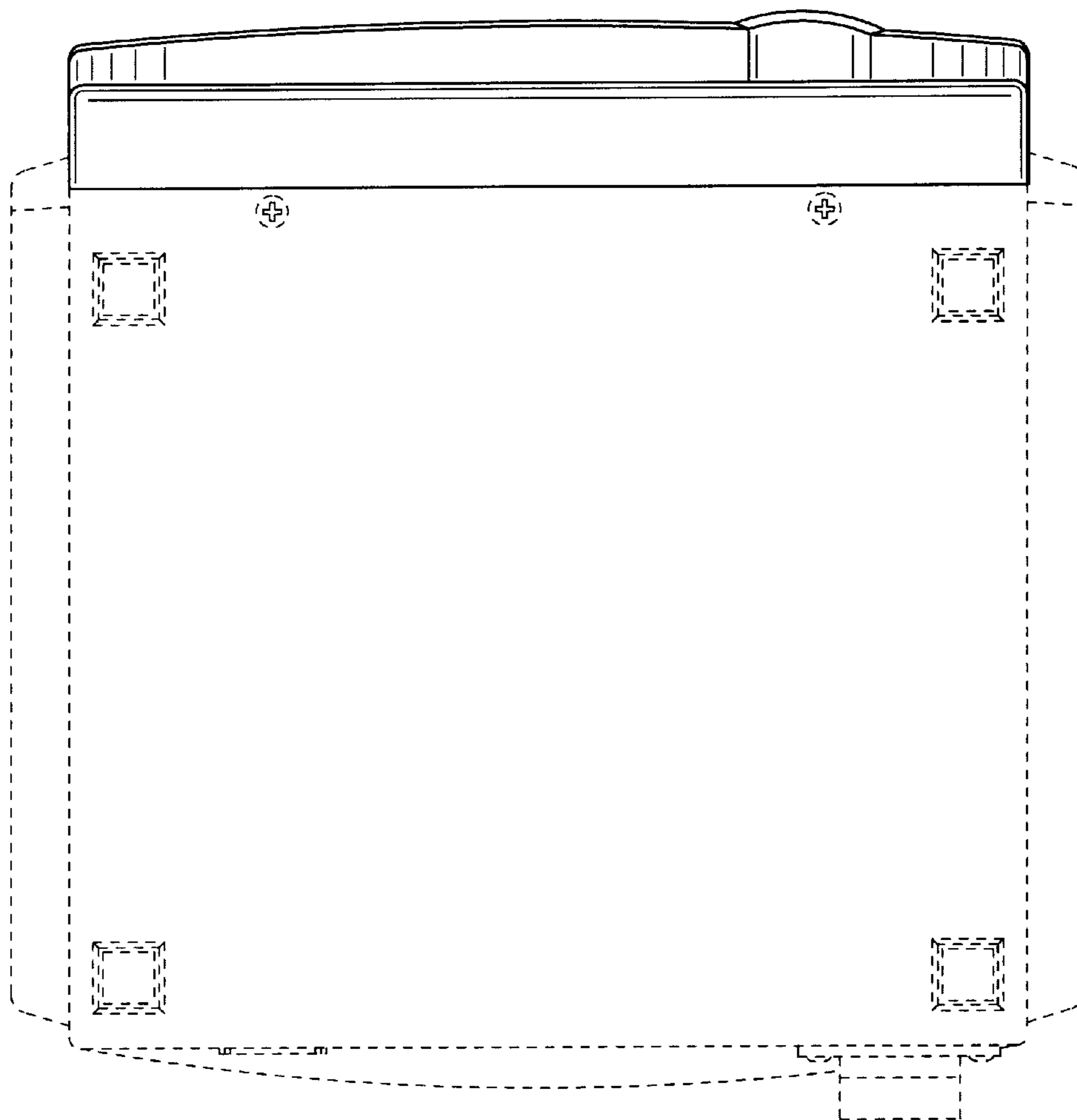


FIG. 6

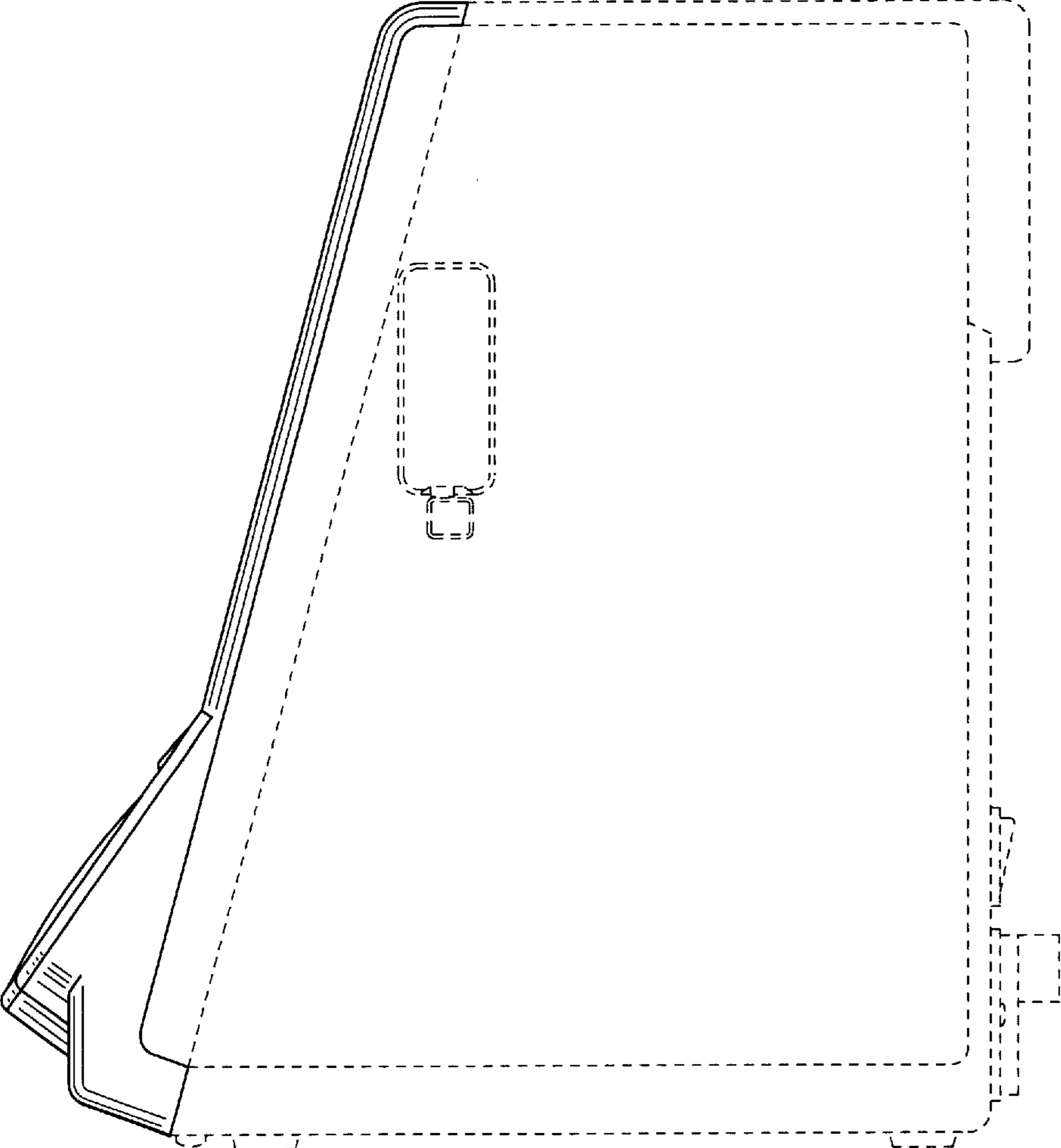


FIG. 7

