

US00D509589S

(12) **United States Design Patent**  
**Wells**

(10) **Patent No.:** **US D509,589 S**  
(45) **Date of Patent:** **\*\* Sep. 13, 2005**

(54) **HANDLE FOR SURGICAL INSTRUMENT**  
(75) **Inventor:** **Timothy N. Wells, Ridgefield, CT (US)**  
(73) **Assignee:** **Tyco Healthcare Group, LP, Norwalk, CT (US)**  
(\*\*) **Term:** **14 Years**

5,816,471 A 10/1998 Plyley et al.  
5,862,972 A 1/1999 Green et al.  
5,897,562 A 4/1999 Bolanos et al.  
5,901,895 A 5/1999 Heaton et al.  
5,954,259 A 9/1999 Viola et al.  
6,109,500 A 8/2000 Alli et al.  
6,241,139 B1 \* 6/2001 Milliman et al. .... 227/175.1  
2005/0006432 A1 \* 1/2005 Racenet et al. .... 227/176.1

\* cited by examiner

(21) **Appl. No.:** **29/192,047**  
(22) **Filed:** **Oct. 17, 2003**

*Primary Examiner*—Ian Simmons

(51) **LOC (8) Cl.** ..... **24-02**  
(52) **U.S. Cl.** ..... **D24/145; D24/133**  
(58) **Field of Search** ..... **D24/145, 143, D24/133, 144, 147, 146; 227/175.1, 901, 175.2, 175.3, 175.4, 176.1, 177.1, 178.1, 179.1, 180.1, 181.1, 182.1, 19; 606/139, 142, 143**

(57) **CLAIM**

I claim the ornamental design for a handle for surgical instrument, as shown and described.

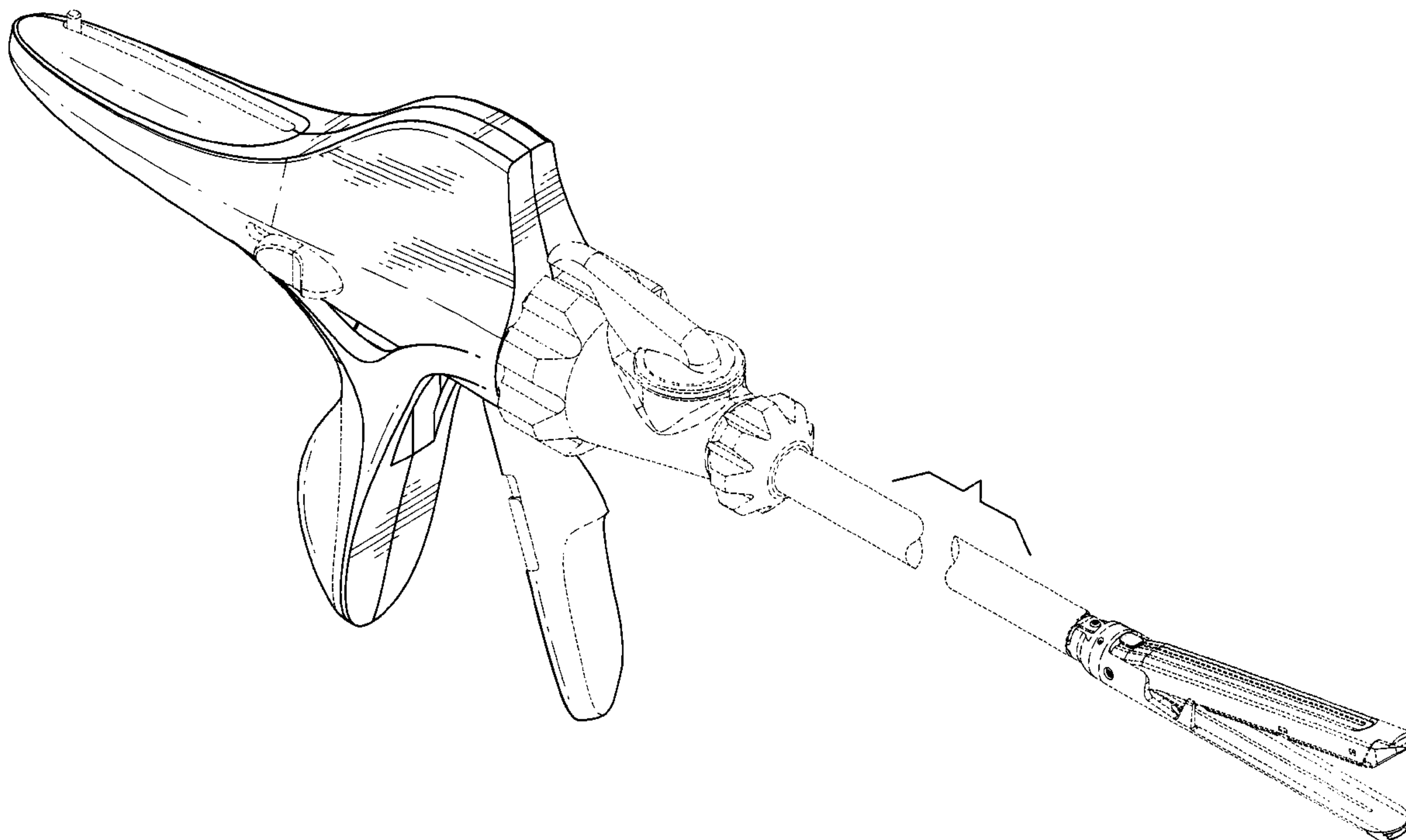
**DESCRIPTION**

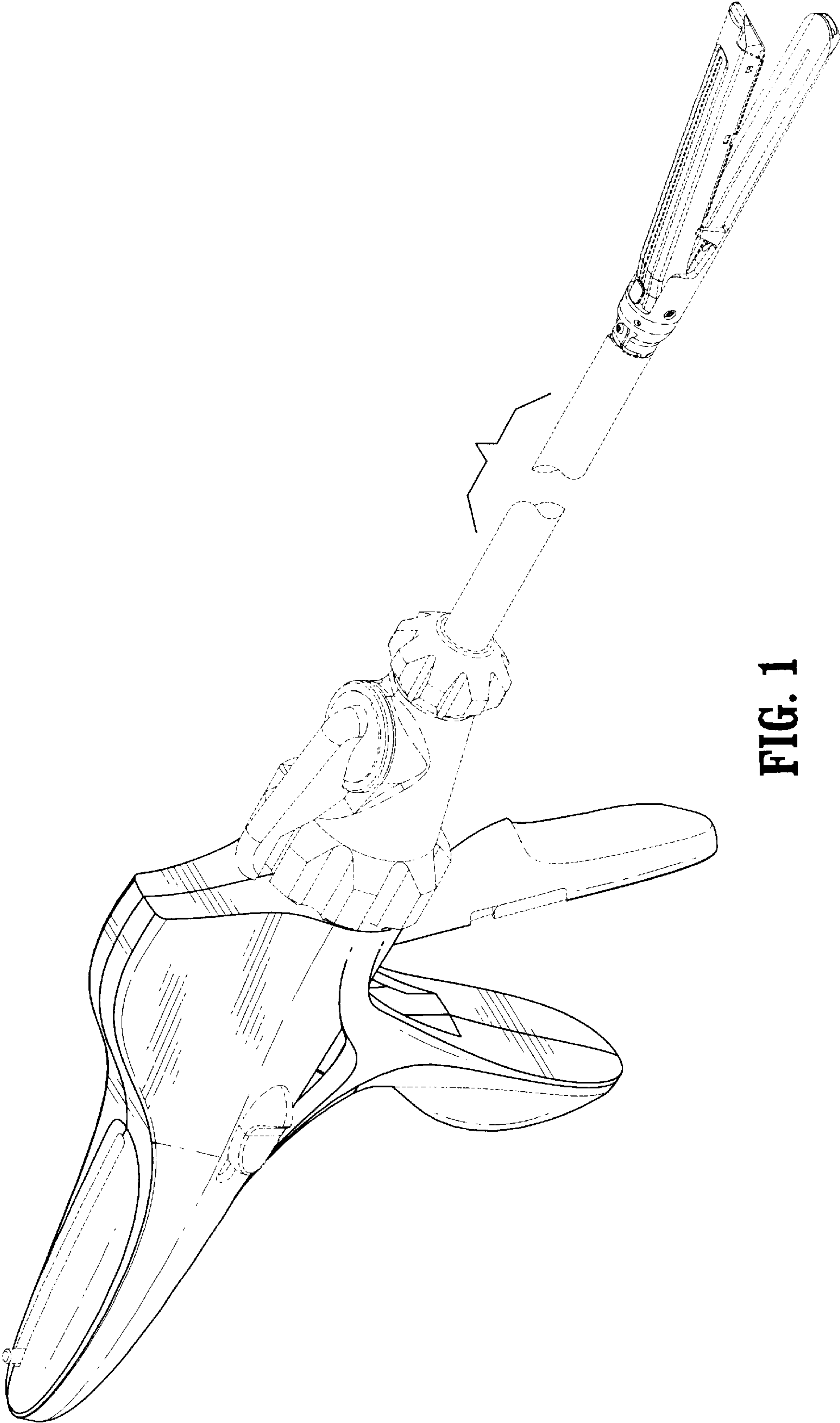
FIG. 1 is a perspective view of a handle for surgical instrument showing my new design. The broken line showing is for illustrative purposes only and forms no part of the claimed design;  
FIG. 2 is a left side elevational view thereof;  
FIG. 3 is a top plan view thereof;  
FIG. 4 is a right side elevational view thereof;  
FIG. 5 is a bottom plan view thereof;  
FIG. 6 is a rear elevational view thereof; and,  
FIG. 7 is a front elevational view thereof.

(56) **References Cited**  
**U.S. PATENT DOCUMENTS**

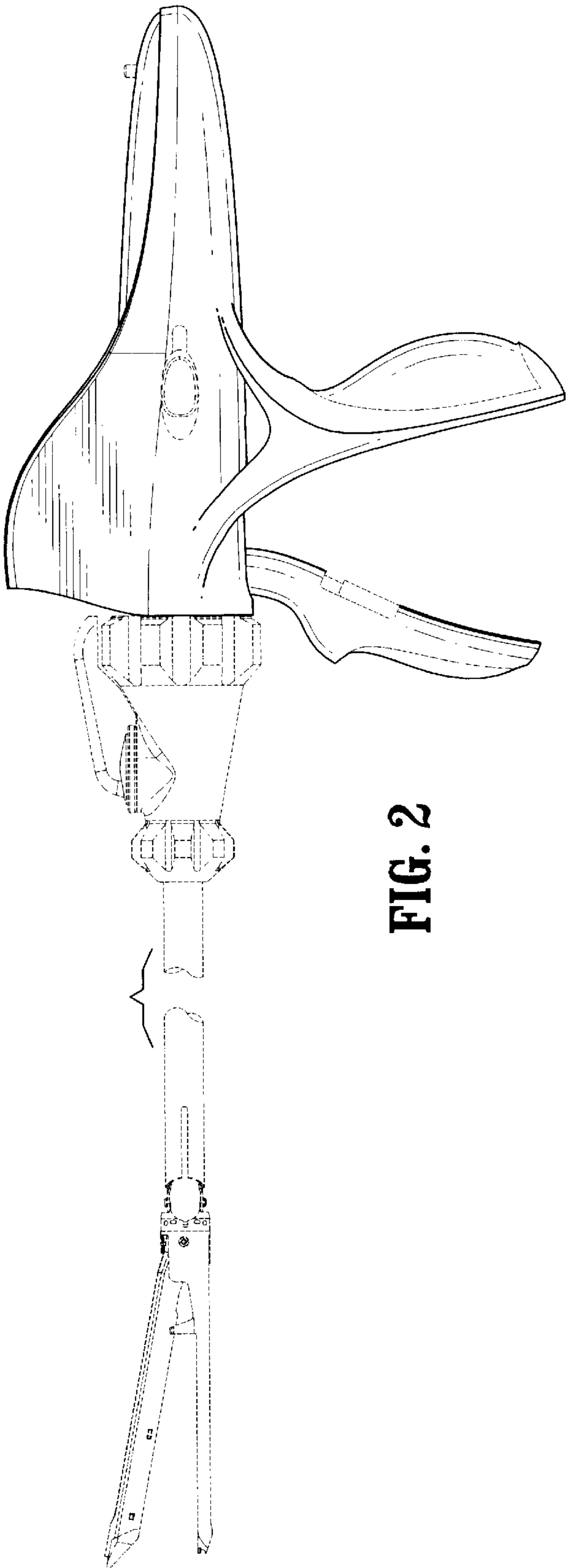
D347,474 S \* 5/1994 Olson ..... D24/145  
5,478,003 A 12/1995 Green et al.  
5,607,436 A \* 3/1997 Pratt et al. .... 606/139  
5,690,269 A 11/1997 Bolanos et al.  
5,752,644 A 5/1998 Bolanos et al.  
5,797,538 A 8/1998 Heaton et al.

**1 Claim, 4 Drawing Sheets**

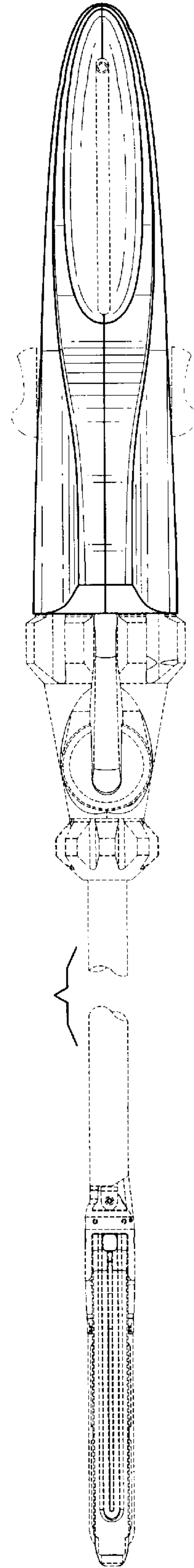




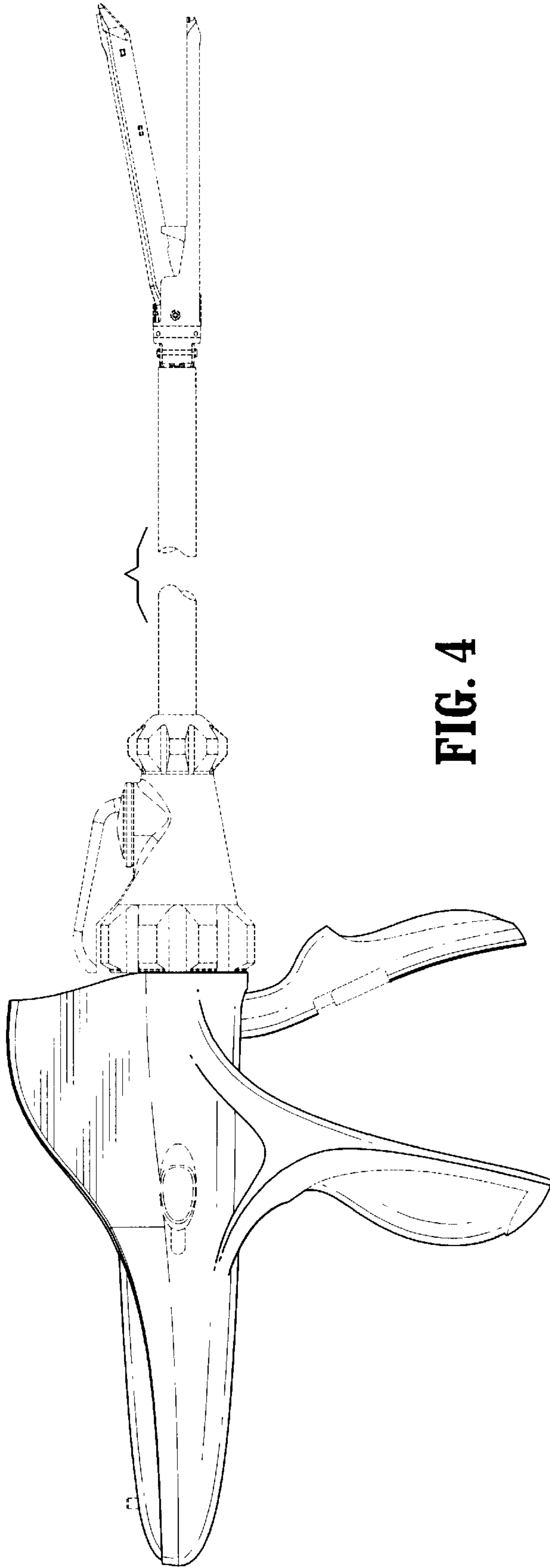
**FIG. 1**



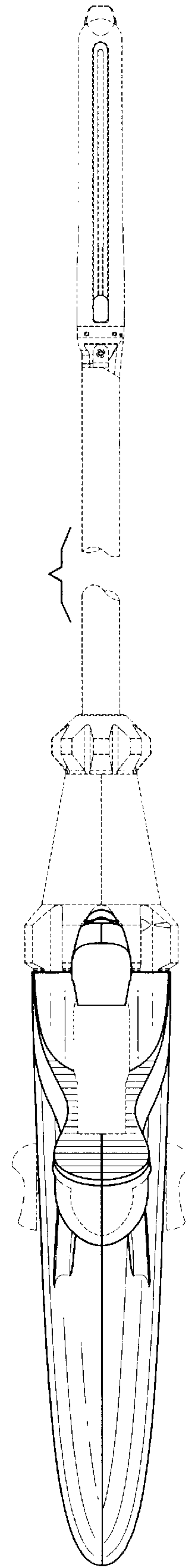
**FIG. 2**



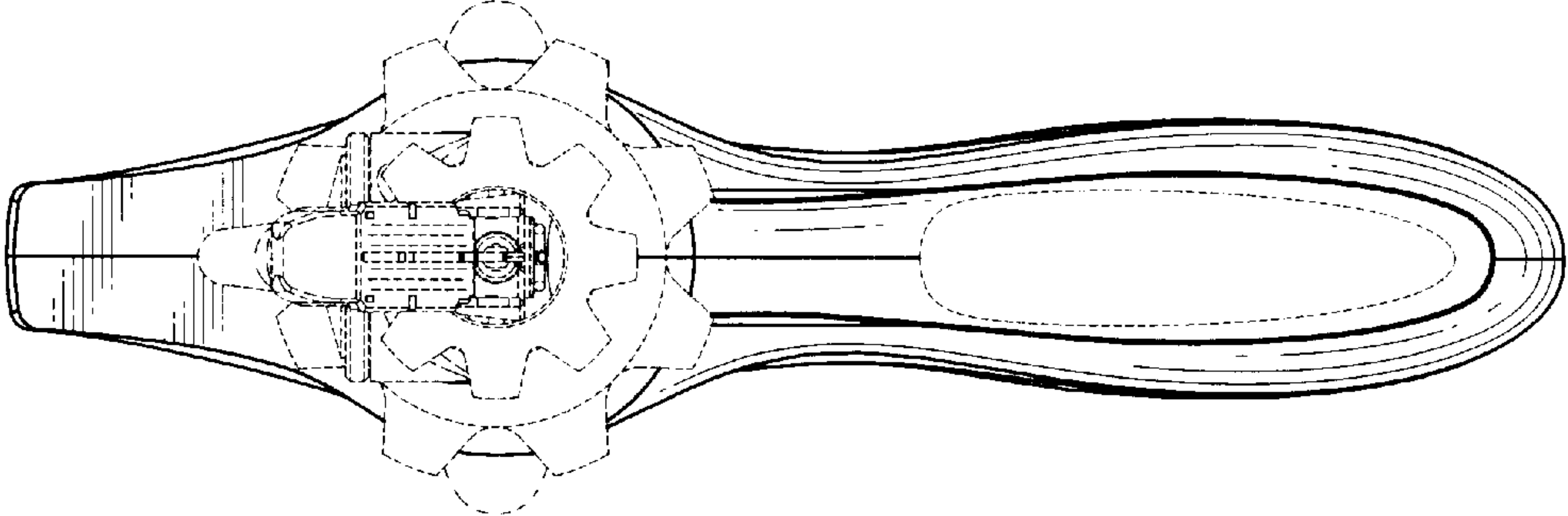
**FIG. 3**



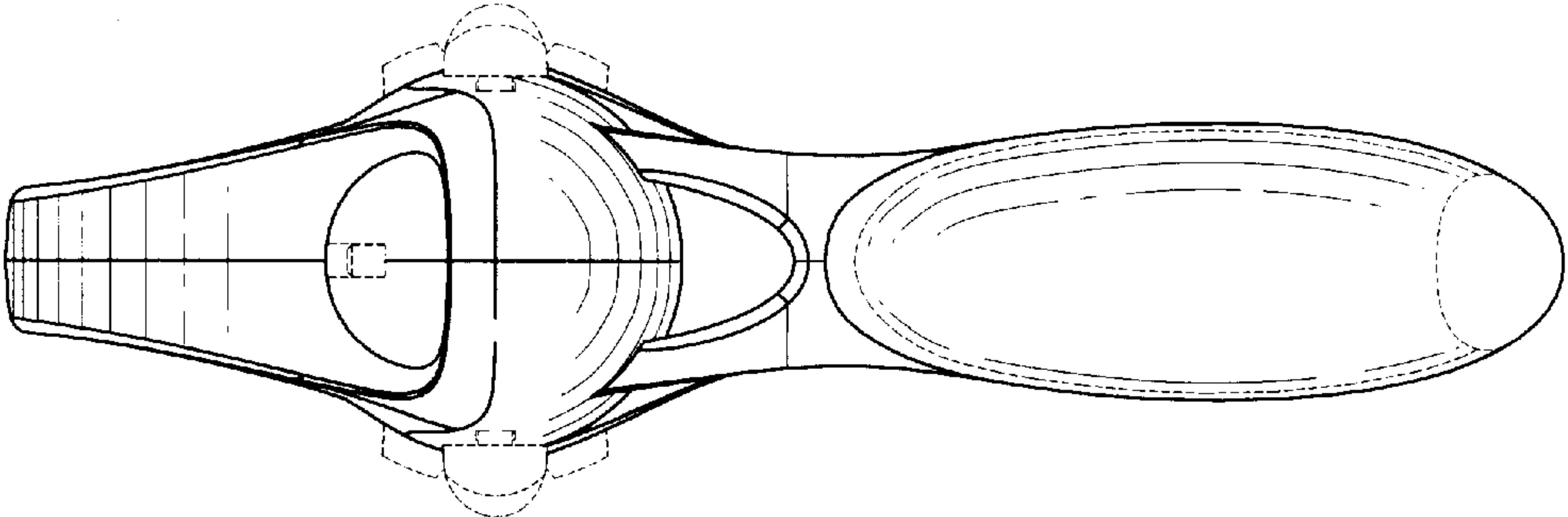
**FIG. 4**



**FIG. 5**



**FIG. 7**



**FIG. 6**