



US00D509583S

(12) **United States Design Patent**
Graham

(10) **Patent No.:** **US D509,583 S**

(45) **Date of Patent:** **** Sep. 13, 2005**

(54) **CEILING FAN MOTOR HOUSING**

(75) Inventor: **William B. Graham**, Memphis, TN
(US)

(73) Assignee: **Hunter Fan Company**, Memphis, TN
(US)

(**) Term: **14 Years**

(21) Appl. No.: **29/199,861**

(22) Filed: **Feb. 19, 2004**

(51) **LOC (8) Cl.** **23-04**

(52) **U.S. Cl.** **D23/411**

(58) **Field of Search** D23/411, 377,
D23/379, 385; 416/5

(56) **References Cited**

U.S. PATENT DOCUMENTS

D408,073 S * 4/1999 Tai D23/377

OTHER PUBLICATIONS

2003 Hunter Fan Company Prestige Product Catalog p. 14,
16, 18, 20, 24, 32, 38, 40, 41, and 46.

2002 Casablanca Fan Company Product Catalog p. 24 and
51.

* cited by examiner

Primary Examiner—Lisa Lichtenstein

(74) *Attorney, Agent, or Firm*—Baker Donelson

(57) **CLAIM**

The ornamental design for a ceiling fan motor housing, as shown and described.

DESCRIPTION

FIG. 1 is a perspective view of a ceiling fan motor housing showing my new design.

FIG. 2 is a front view thereof, the rear view, the right side view and the left side view being the same thereof.

FIG. 3 is a top view thereof; and,

FIG. 4 is a bottom view thereof.

The broken lines in the views show environmental features which are for illustrative purposes only and form no part of the claimed design.

1 Claim, 2 Drawing Sheets

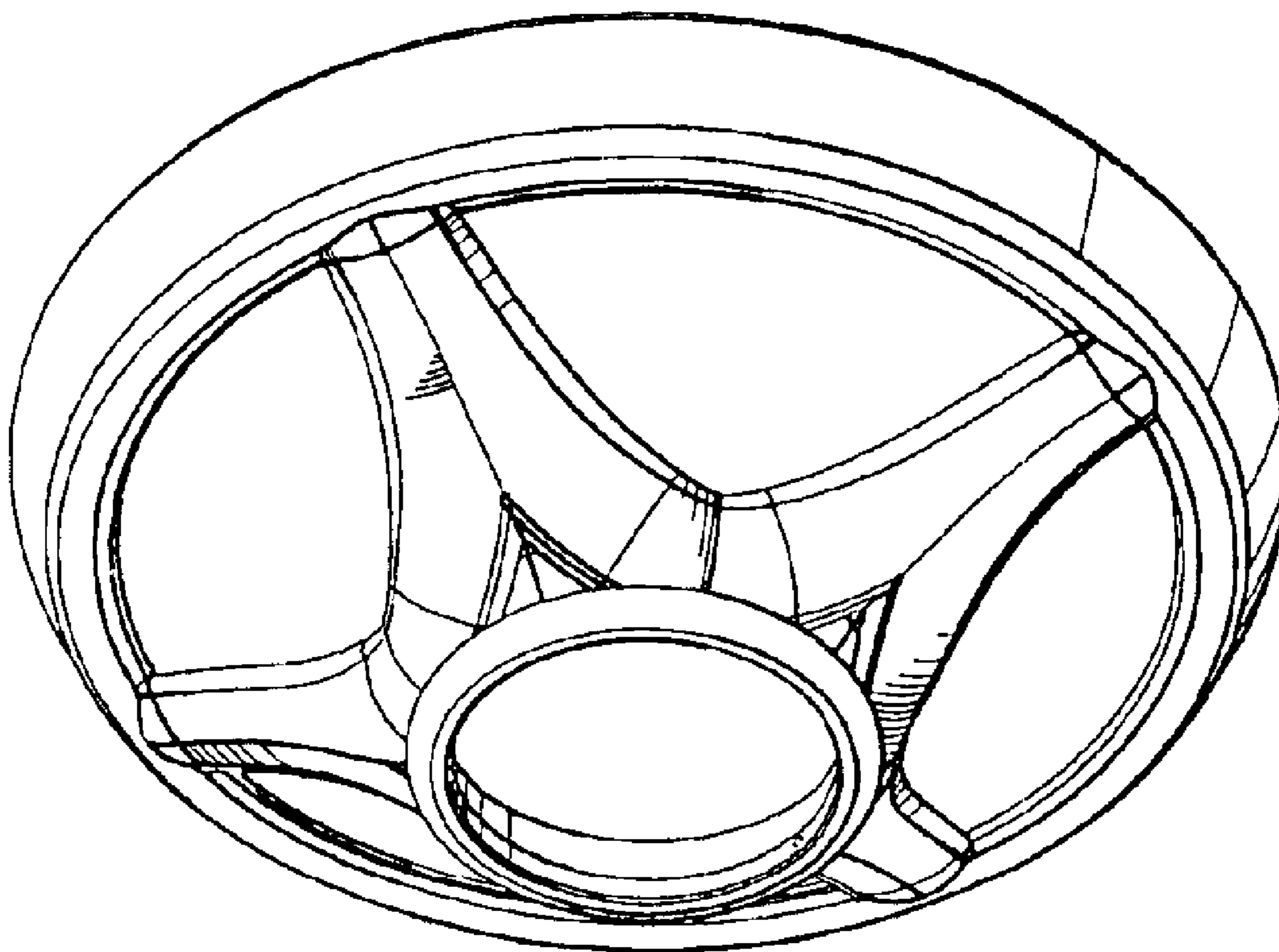


Fig. 1

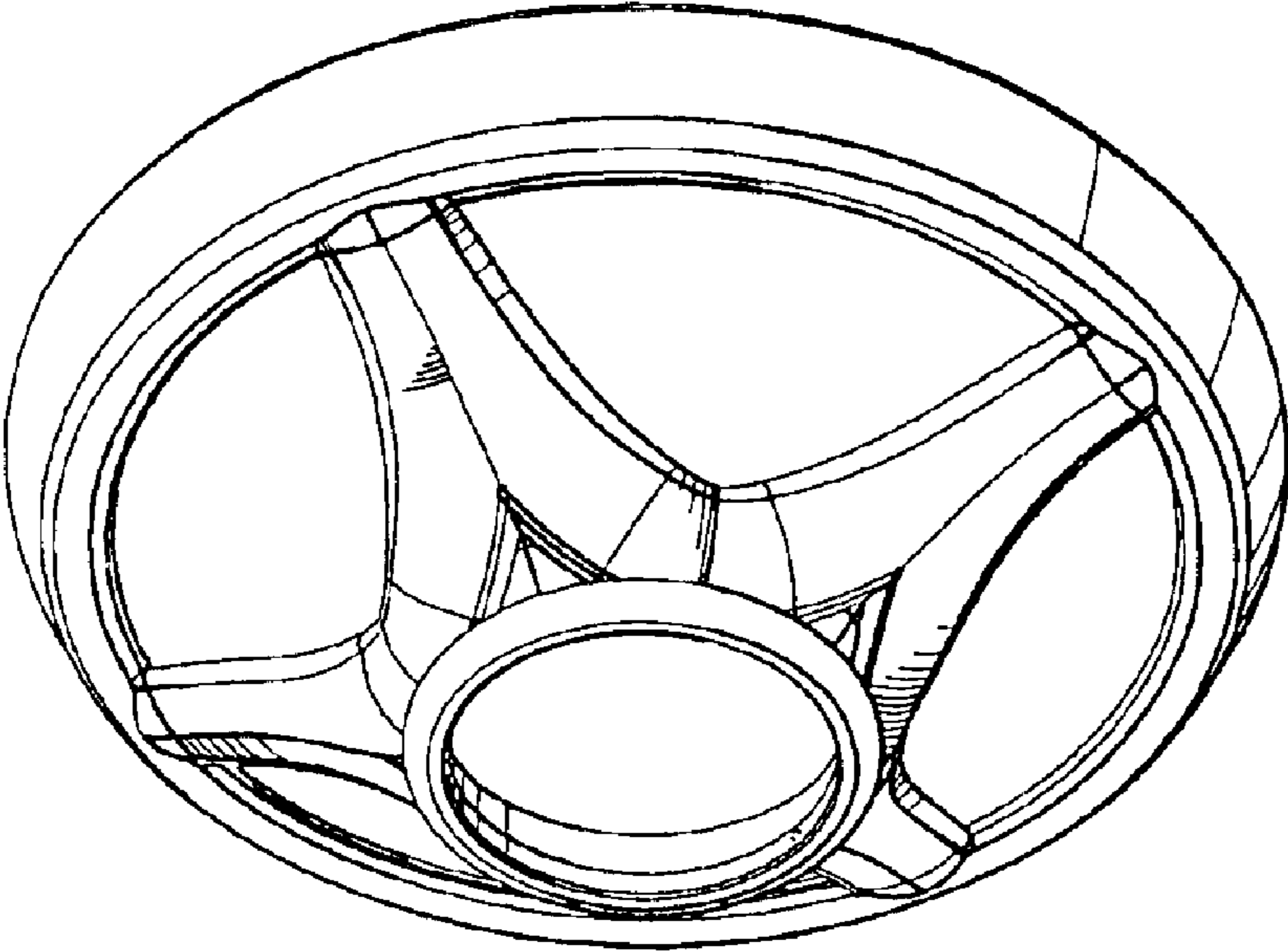


Fig. 2

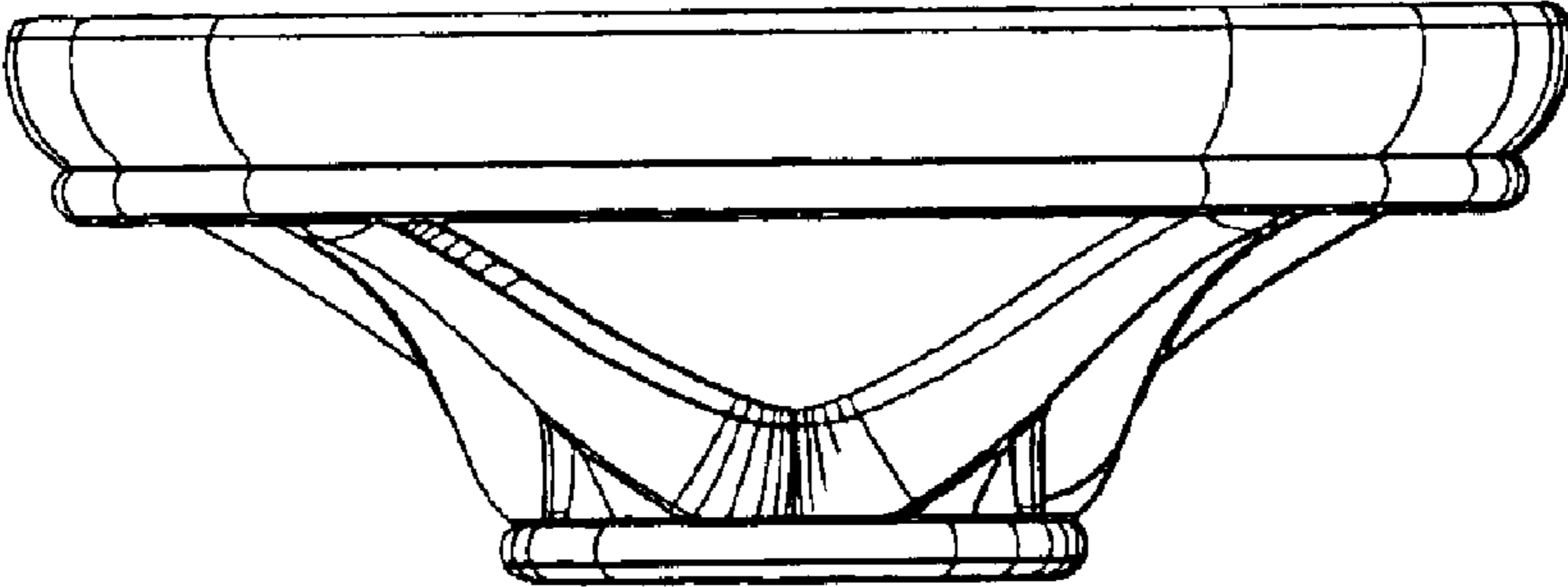


Fig. 3

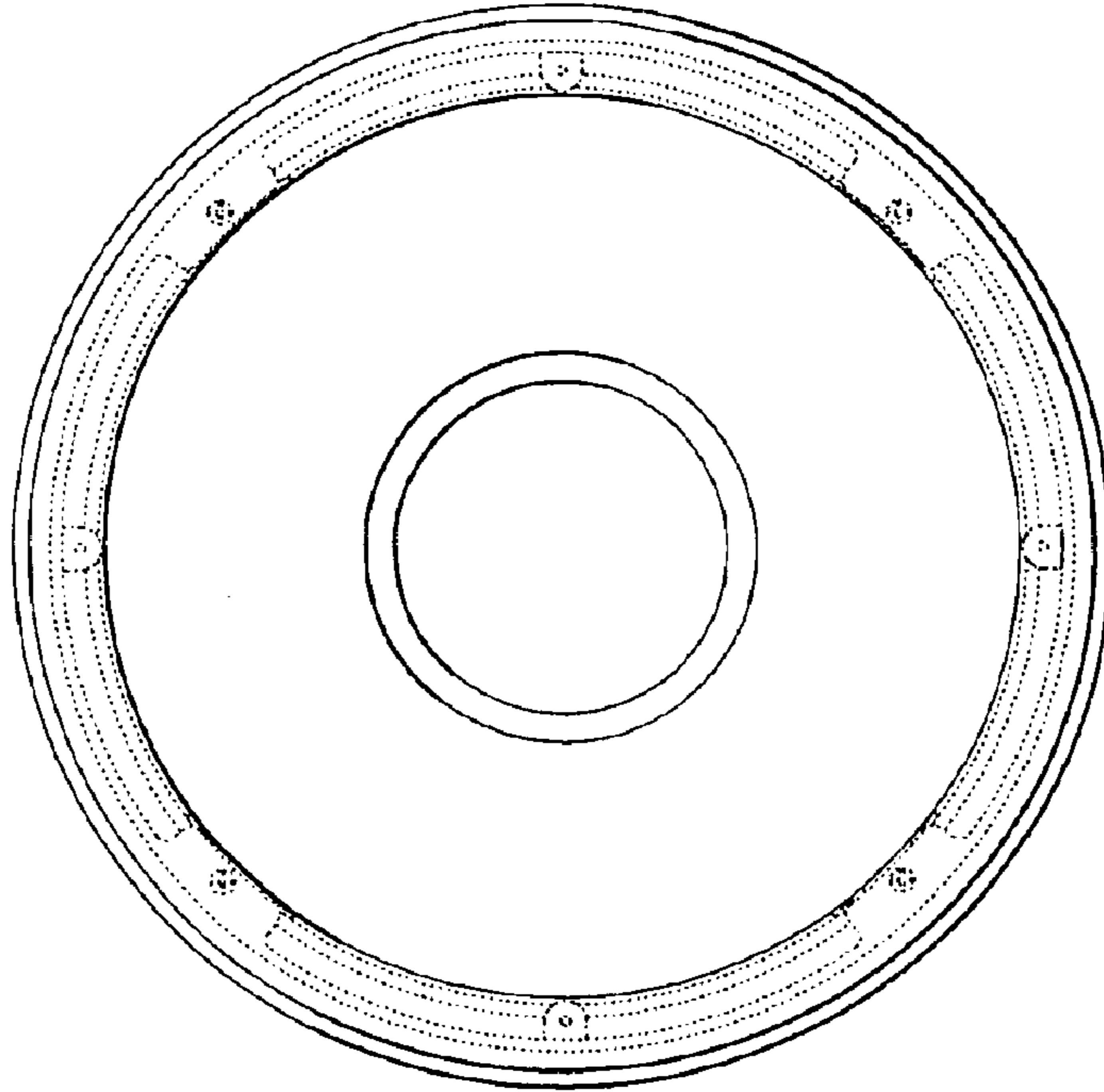


Fig. 4

