



US00D509576S

(12) **United States Design Patent** (10) **Patent No.:** **US D509,576 S**  
**Williams** (45) **Date of Patent:** **\*\* Sep. 13, 2005**

(54) **NOVELTY POTTY CHAIR**

D407,471 S 3/1999 Merkle  
D425,946 S \* 5/2000 Wei ..... D21/541

(76) Inventor: **Argo Williams**, 6719 Trafalger Sq.,  
Norcross, GA (US) 30093

\* cited by examiner

(\*\*) Term: **14 Years**

*Primary Examiner*—Robert A. Delehanty  
(74) *Attorney, Agent, or Firm*—Richard C. Litman

(21) Appl. No.: **29/206,713**

(57) **CLAIM**

(22) Filed: **Jun. 3, 2004**

The ornamental design for a novelty potty chair, as shown and described.

(51) **LOC (8) Cl.** ..... **23-02**

(52) **U.S. Cl.** ..... **D23/297**

(58) **Field of Search** ..... D23/295–299,  
D23/303, 309, 311–313; D6/333, 334, 335,  
339, 358, 359, 610, 611; D21/541, 427;  
4/300, 329, 449, 460, 465, 902, 905

**DESCRIPTION**

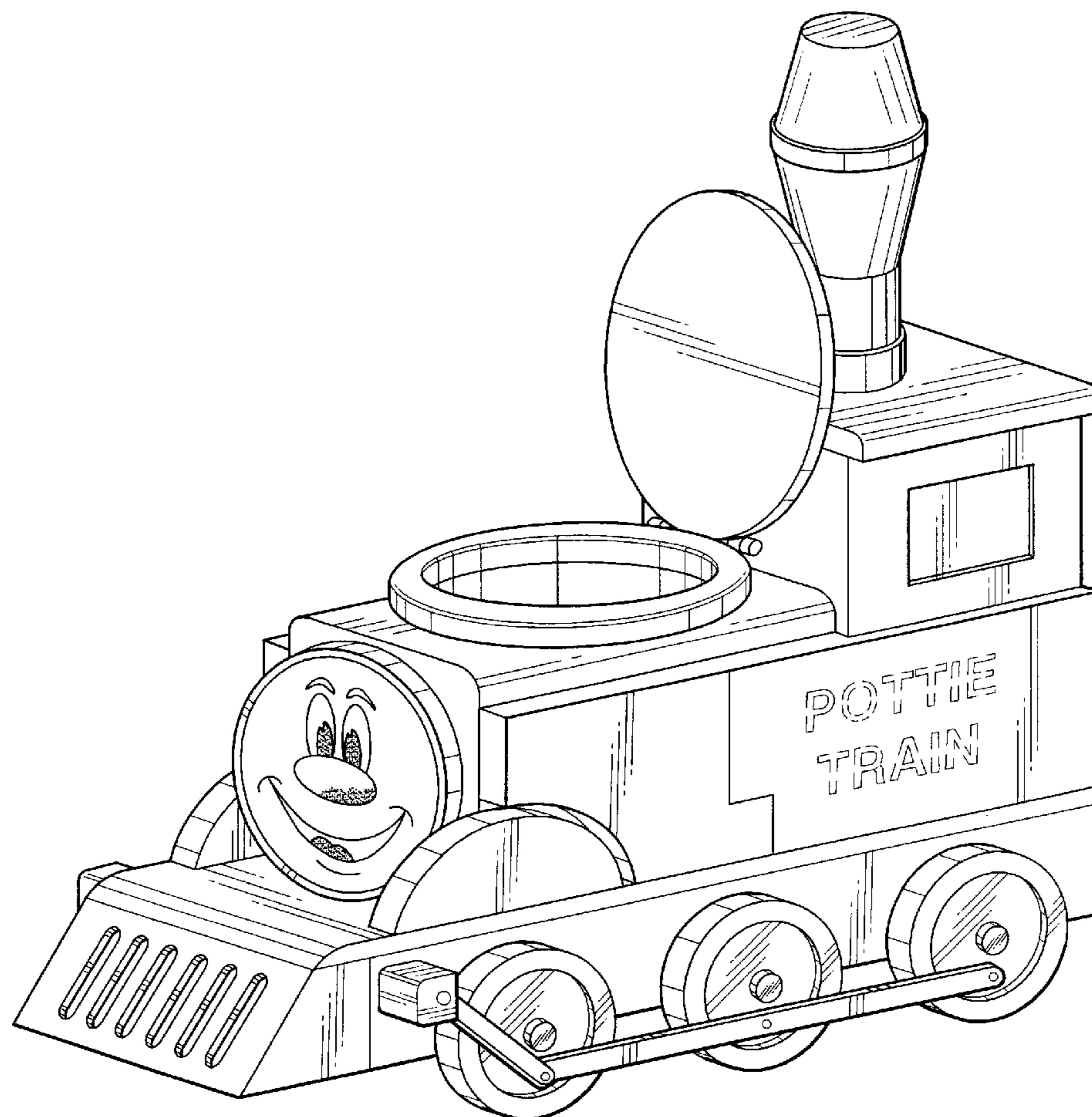
FIG. 1 is a front elevational view of a novelty potty chair showing my new design;  
FIG. 2 is a rear elevational view thereof;  
FIG. 3 is a top plan view thereof;  
FIG. 4 is an environmental right side elevational view with the left side being a mirror image thereof; and,  
FIG. 5 is an environmental perspective view thereof.  
The broken line showing of the name in FIGS. 4 and 5 is for illustrative purposes only and forms no part of the claimed design.

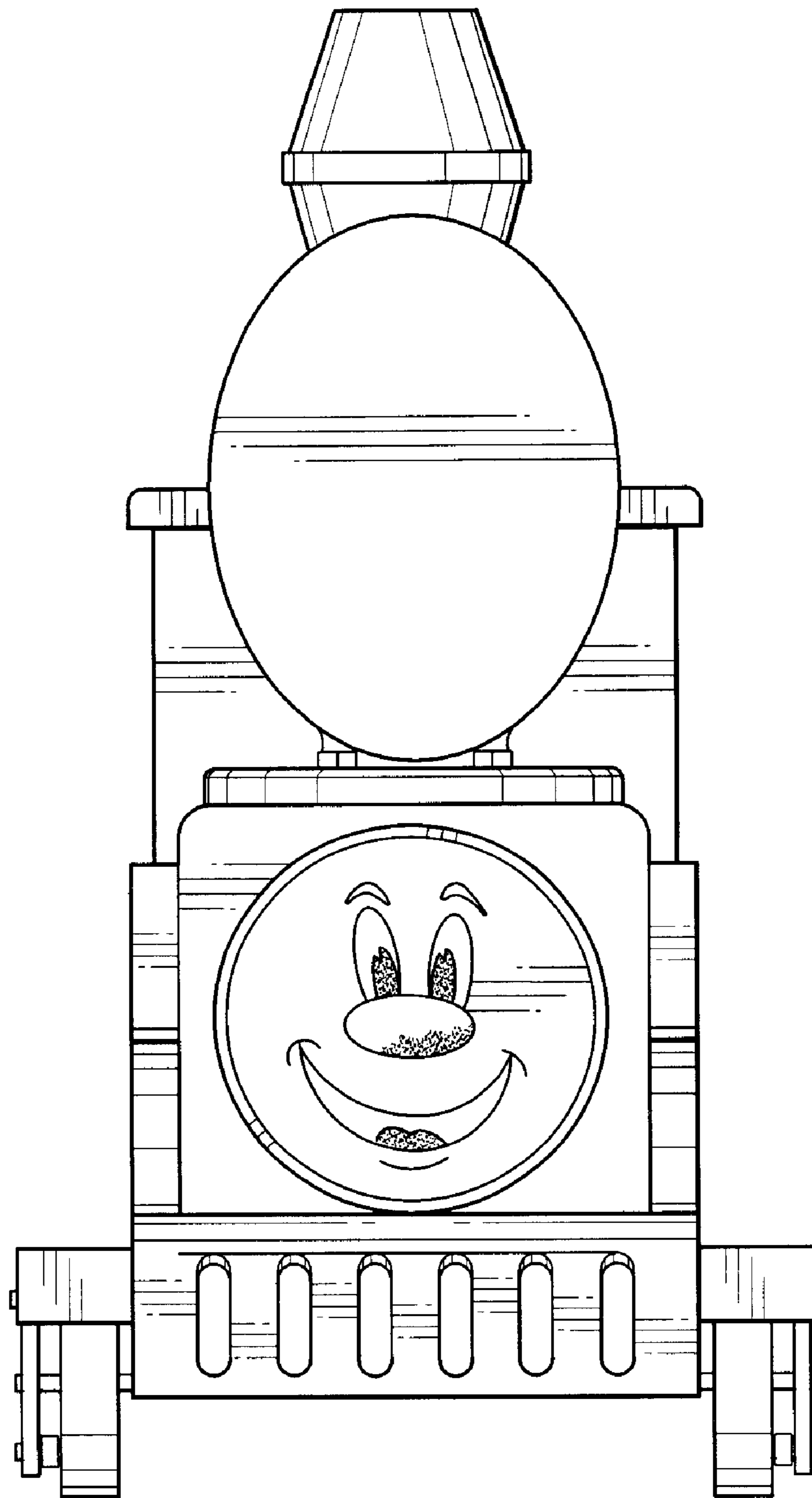
(56) **References Cited**

**U.S. PATENT DOCUMENTS**

|            |         |          |
|------------|---------|----------|
| D210,581 S | 5/1968  | Cantrell |
| D310,118 S | 8/1990  | Lemon    |
| D321,246 S | 10/1991 | Lambdin  |
| D388,160 S | 12/1997 | Simmons  |

**1 Claim, 5 Drawing Sheets**





*FIG. 1*

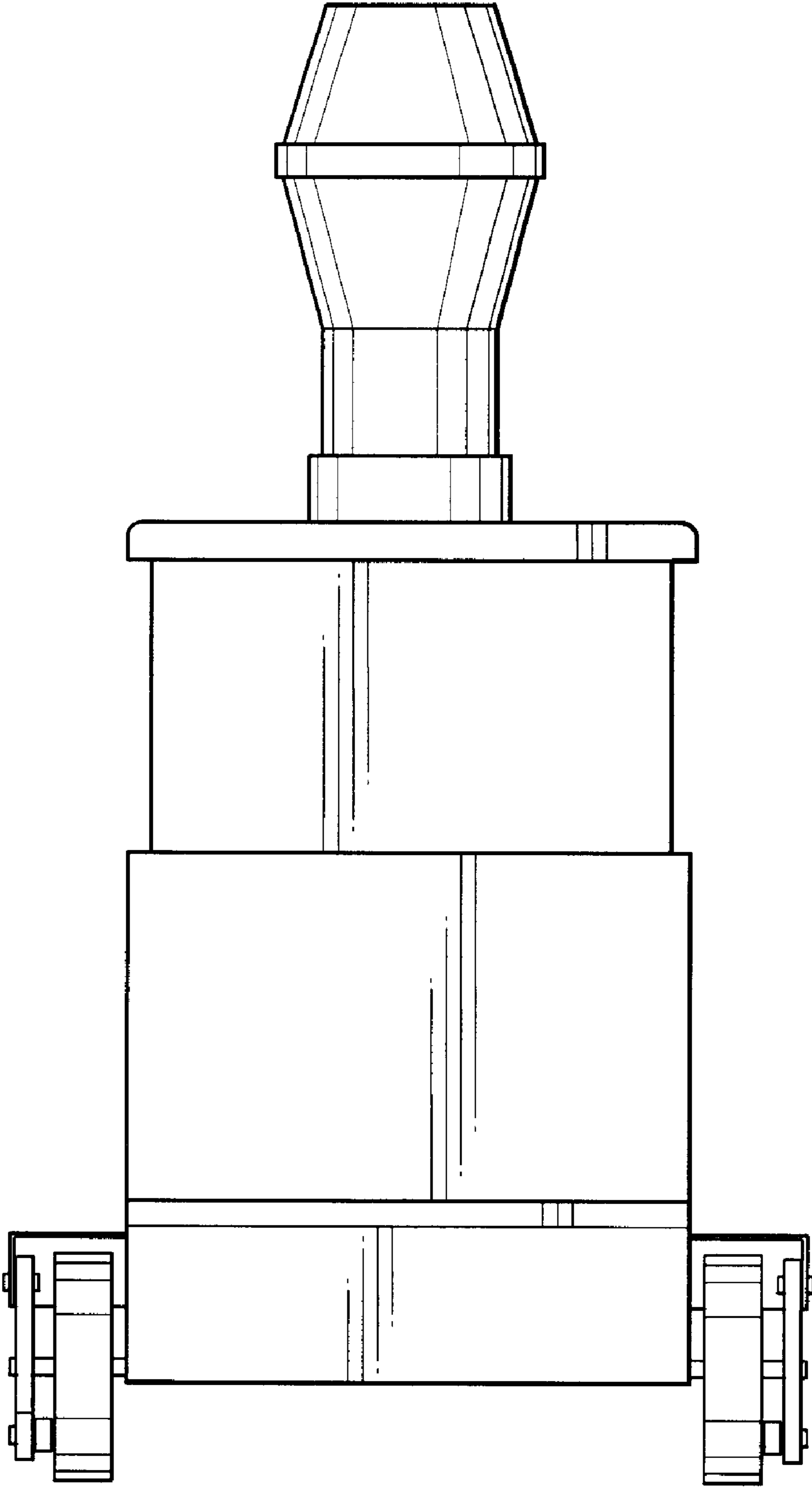


FIG. 2

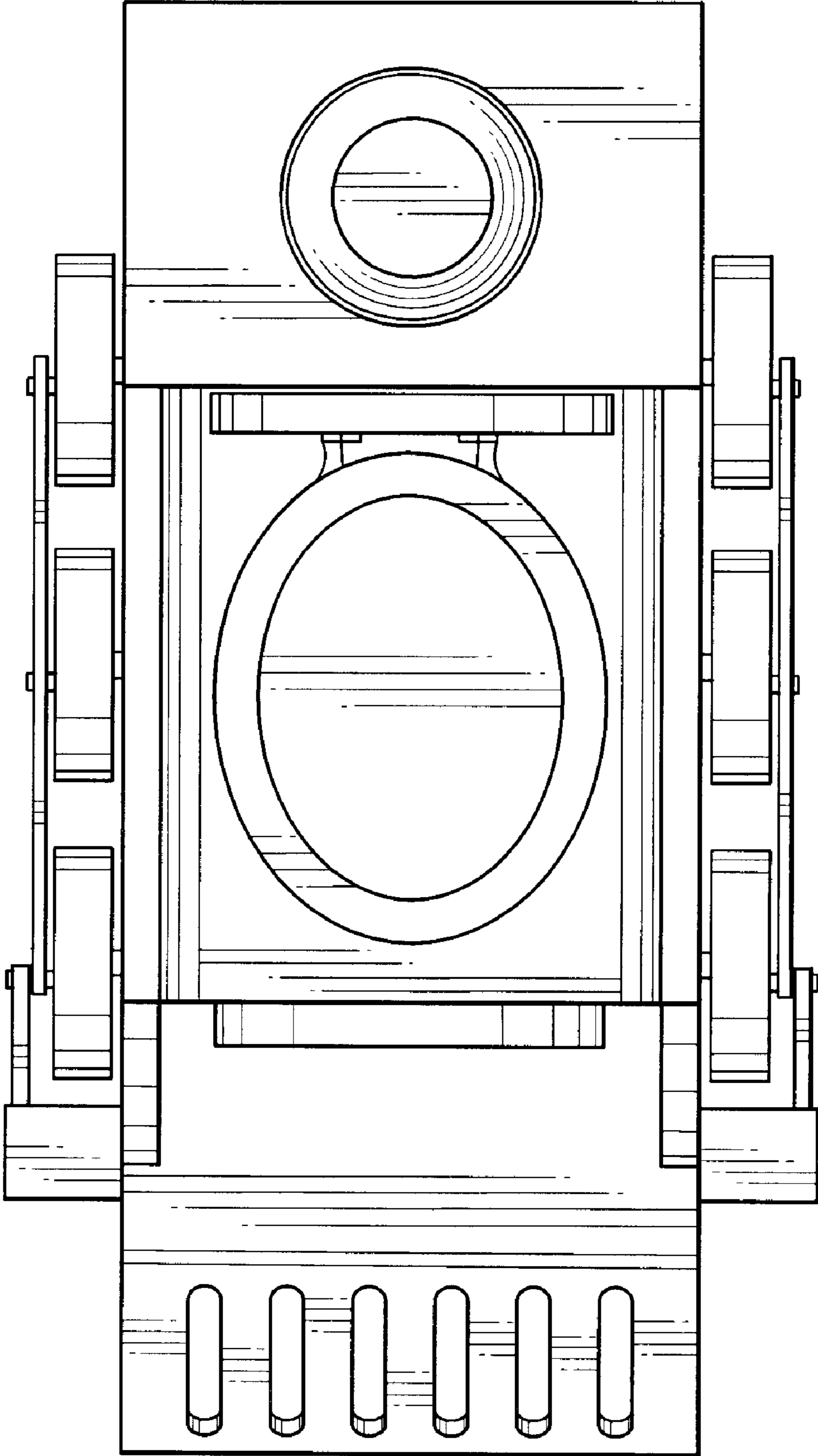


FIG. 3

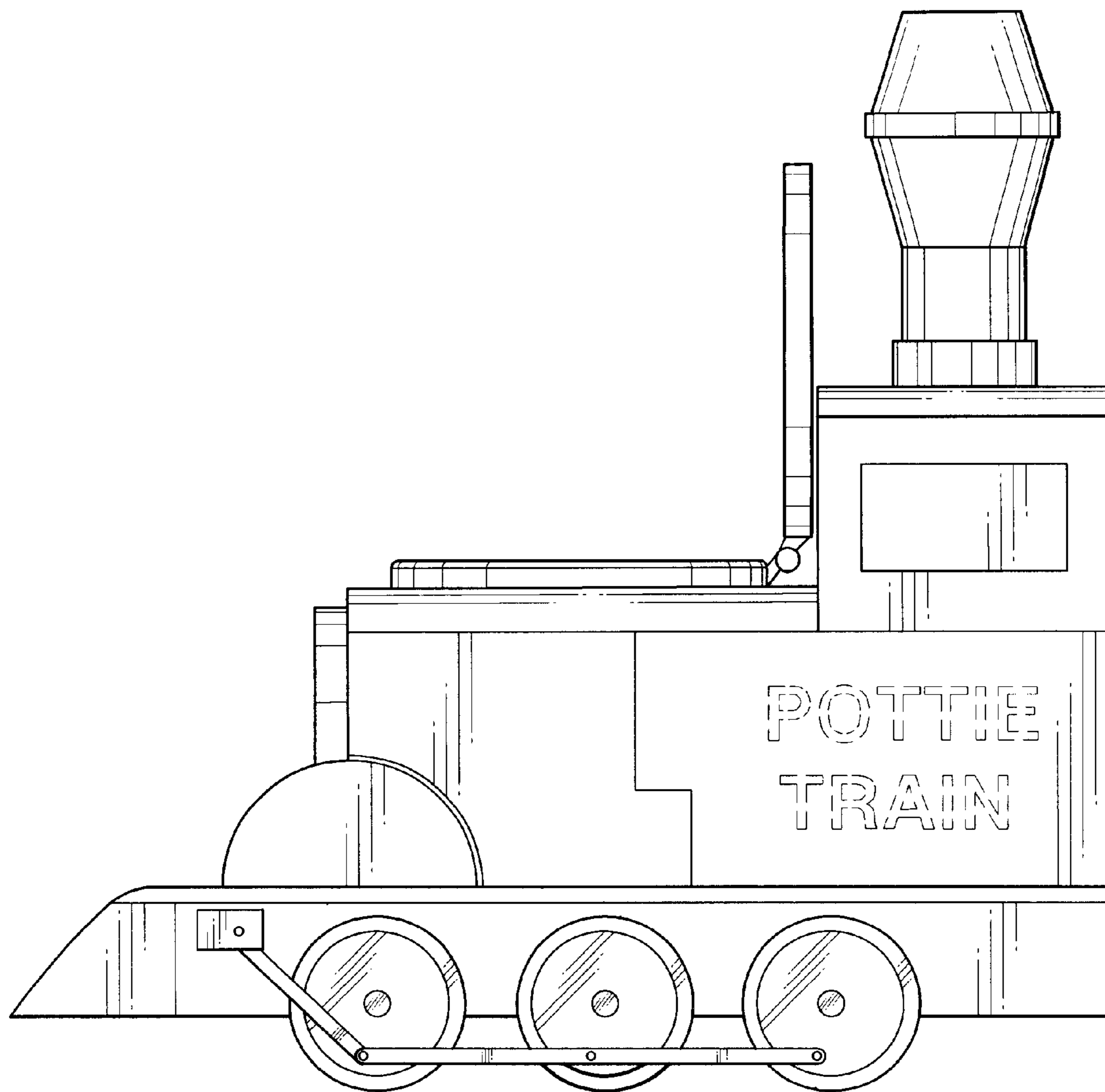


FIG. 4

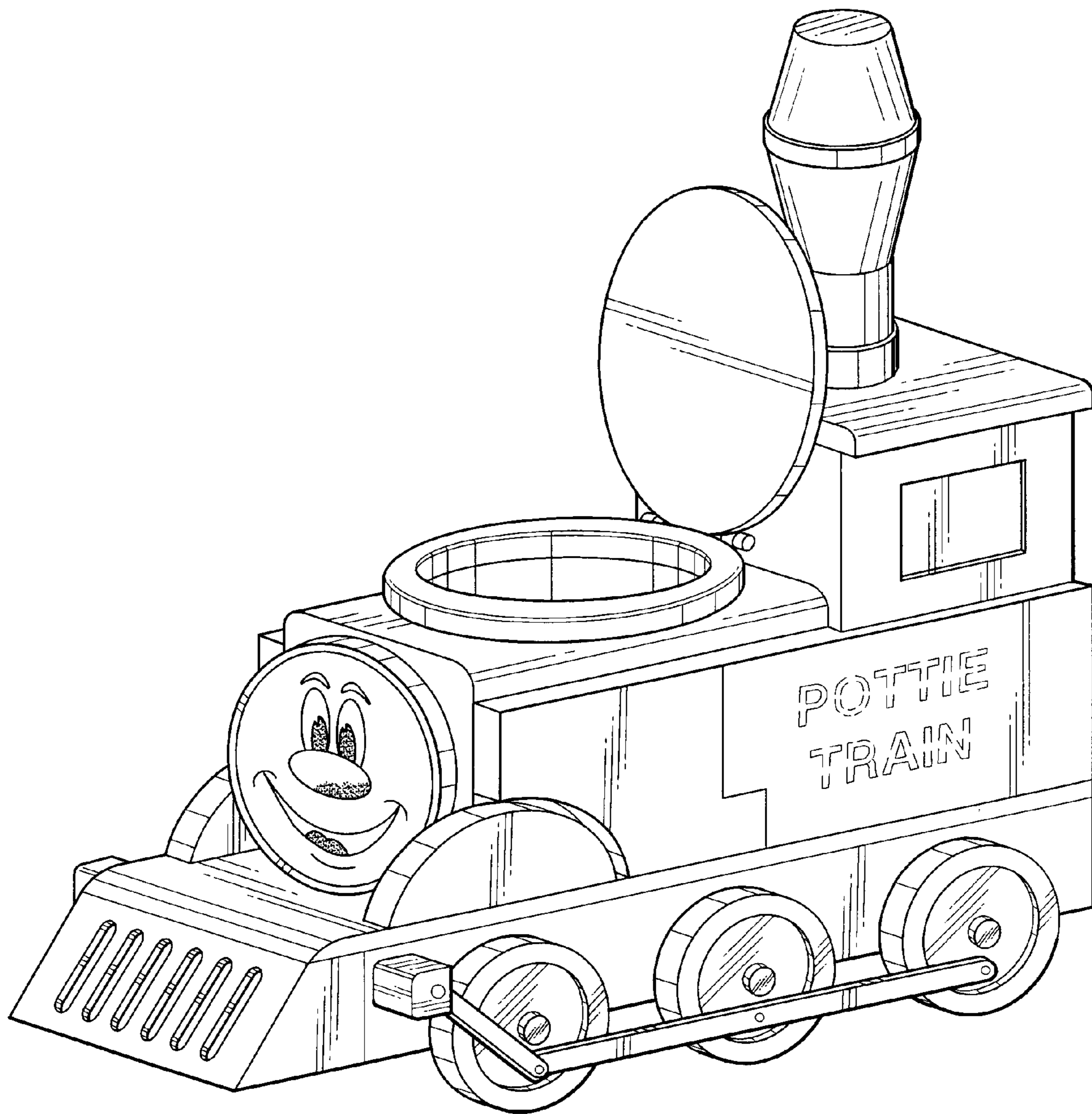


FIG. 5