



US00D509574S

(12) **United States Design Patent**
Sutopo

(10) **Patent No.:** **US D509,574 S**

(45) **Date of Patent:** **** Sep. 13, 2005**

(54) **LAVATORY**

(74) *Attorney, Agent, or Firm*—Quarles & Brady LLP

(75) **Inventor:** **Elise A. Sutopo**, Sheboygan, WI (US)

(57) **CLAIM**

(73) **Assignee:** **Kohler Co.**, Kohler, WI (US)

The ornamental design for a lavatory, as shown and described.

(**) **Term:** **14 Years**

(21) **Appl. No.:** **29/216,581**

(22) **Filed:** **Nov. 5, 2004**

(51) **LOC (8) Cl.** **23-02**

(52) **U.S. Cl.** **D23/293.1**

(58) **Field of Search** D23/270–273,
D23/284, 292, 293.1, 303, 308, 285–287,
291; 4/662, 619, 624, 638, 643, 661, 663–666,
630

DESCRIPTION

In a preferred embodiment, the nature of this product is a plumbing fixture, such as a drop-in style lavatory, for washing human body parts.

FIG. 1 is a top, left, front perspective view of a lavatory embodying my new design;

FIG. 2 is a top plan view thereof;

FIG. 3 is a front elevational view thereof;

FIG. 4 is a right side elevational view thereof;

FIG. 5 is a left side elevational view thereof;

FIG. 6 is a rear elevational view thereof;

FIG. 7 is a bottom plan view thereof; and,

FIG. 8 is a sectional view taken along line 7–7 of FIG. 2.

The broken line representations of holes in FIGS. 1–2 and 7–8 are for the purpose of illustration only, and form no part of the claimed design.

(56) **References Cited**

U.S. PATENT DOCUMENTS

D387,419 S * 12/1997 Laguera Garza D23/292
D416,991 S 11/1999 Caplow
D441,853 S 5/2001 Roberts

OTHER PUBLICATIONS

Alape, Die Farben, 1 sheet, not dated.

* cited by examiner

Primary Examiner—Robert A. Delehanty

1 Claim, 3 Drawing Sheets

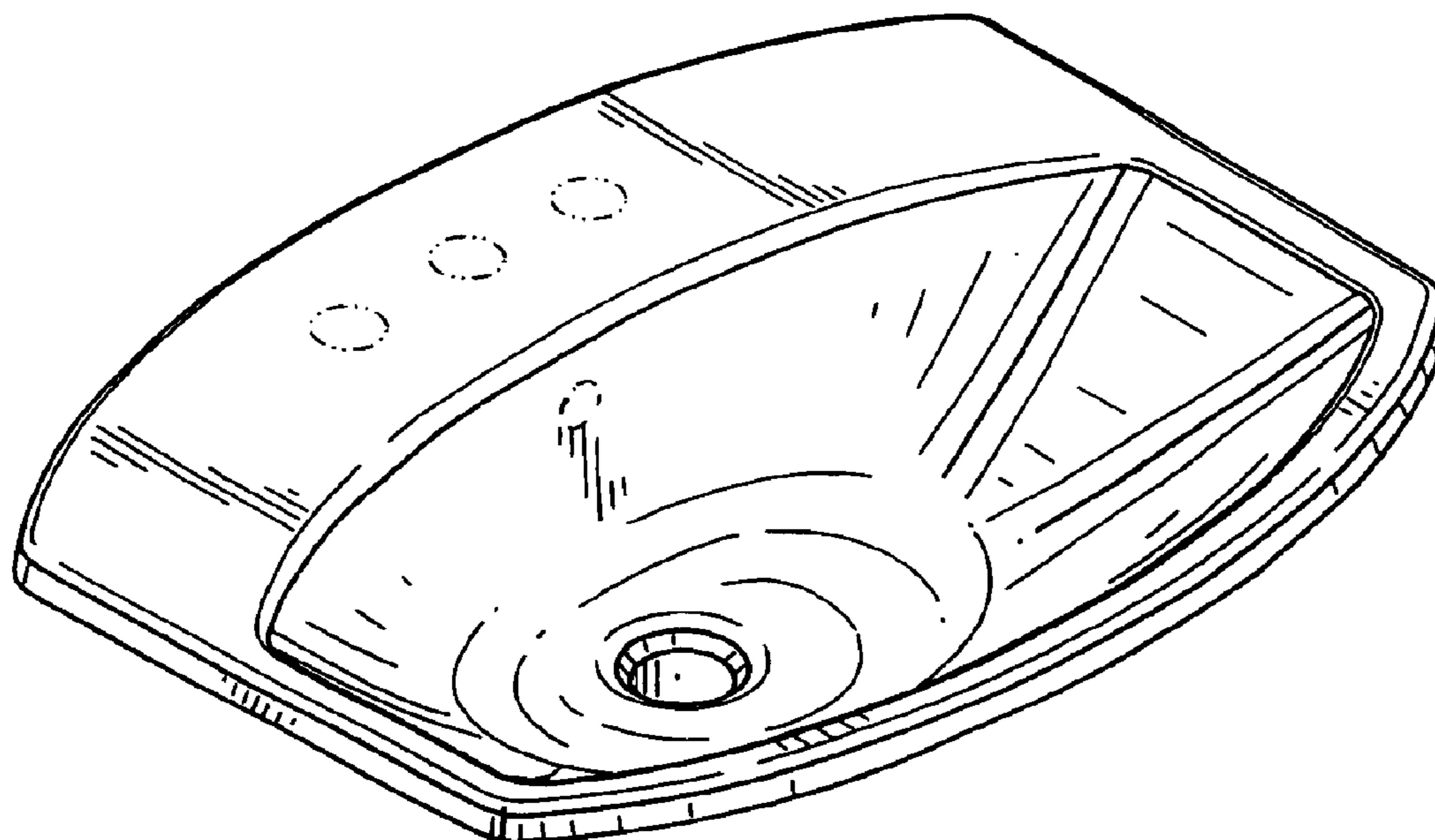


FIG. 1

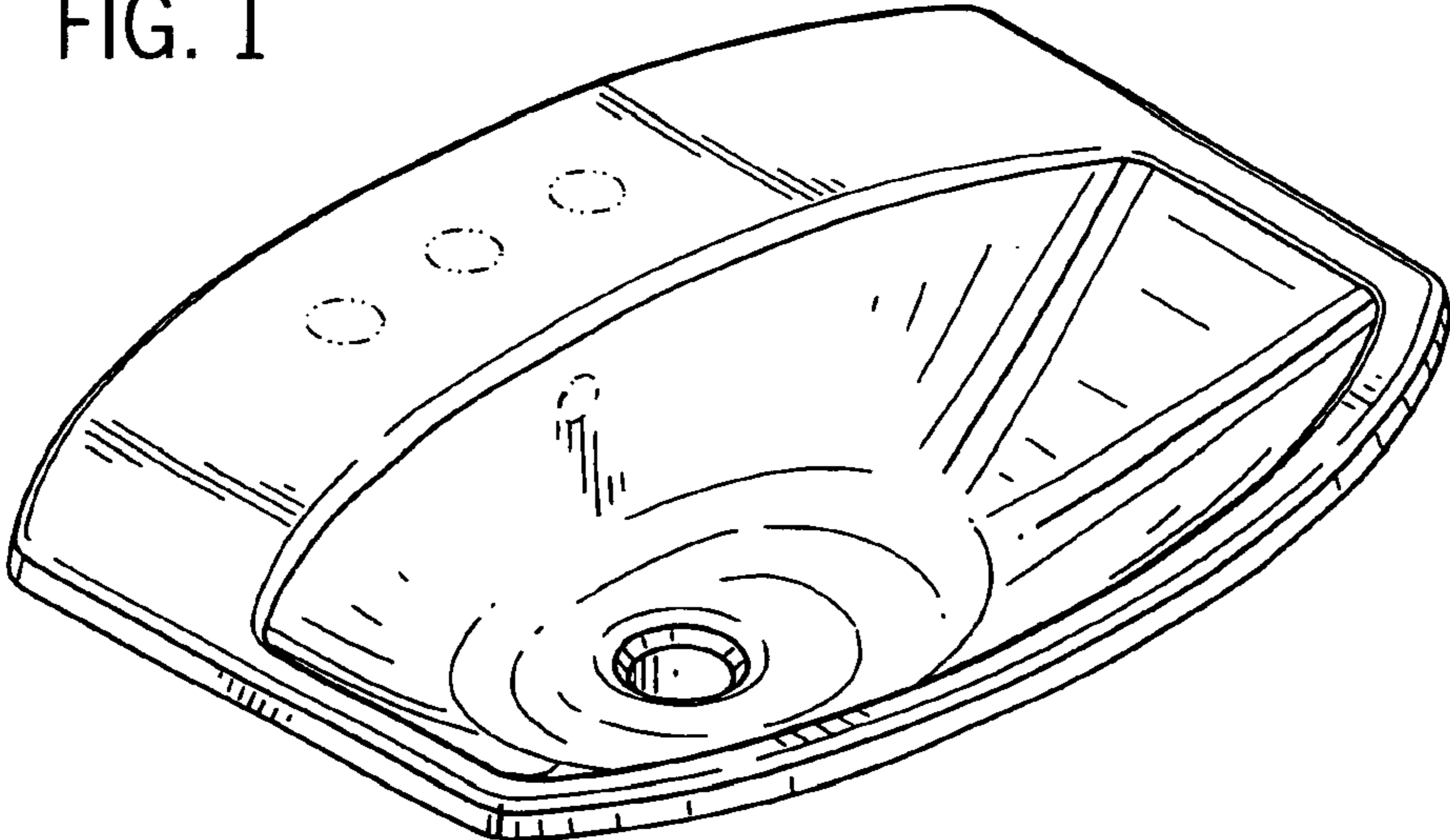


FIG. 2

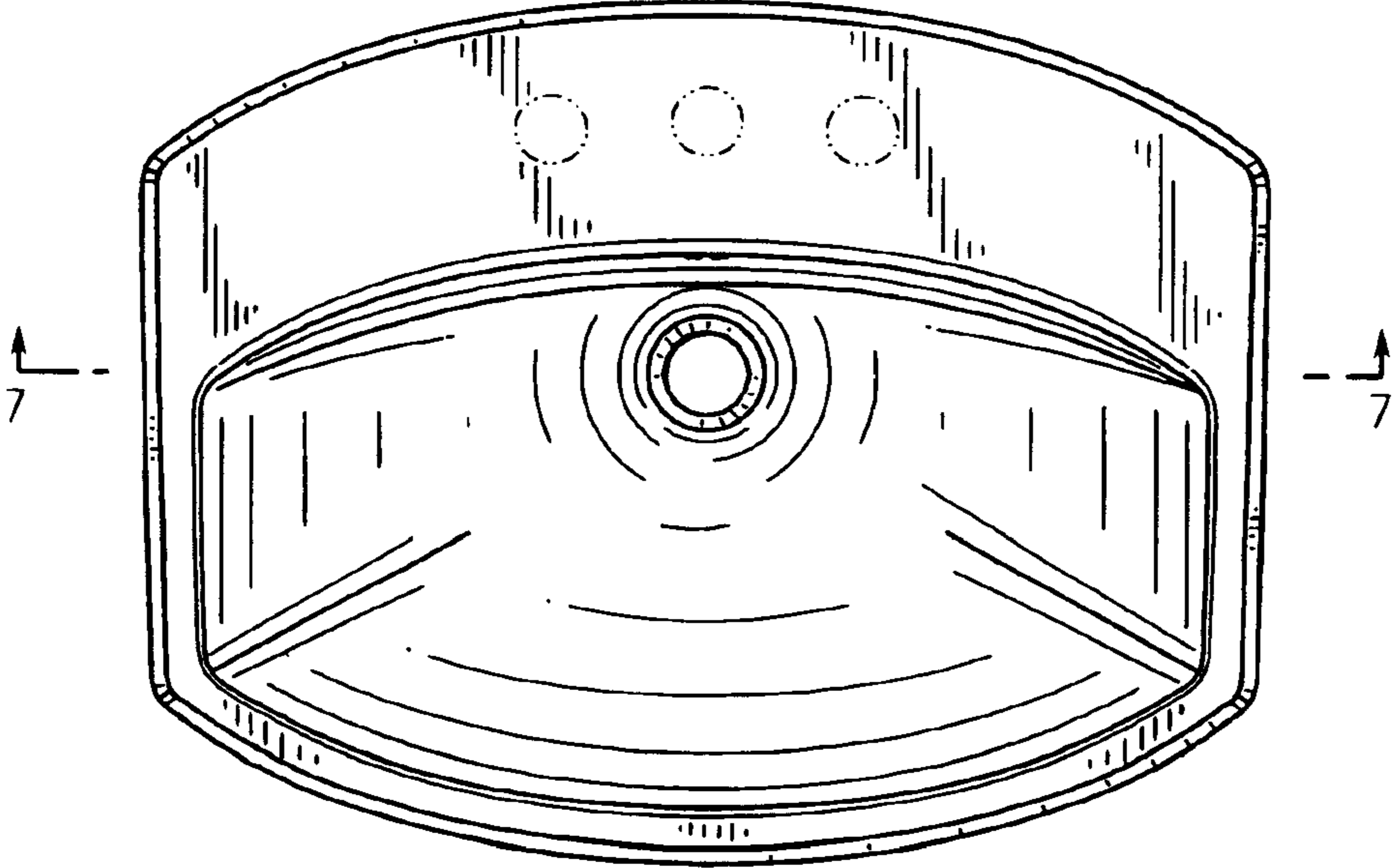


FIG. 3

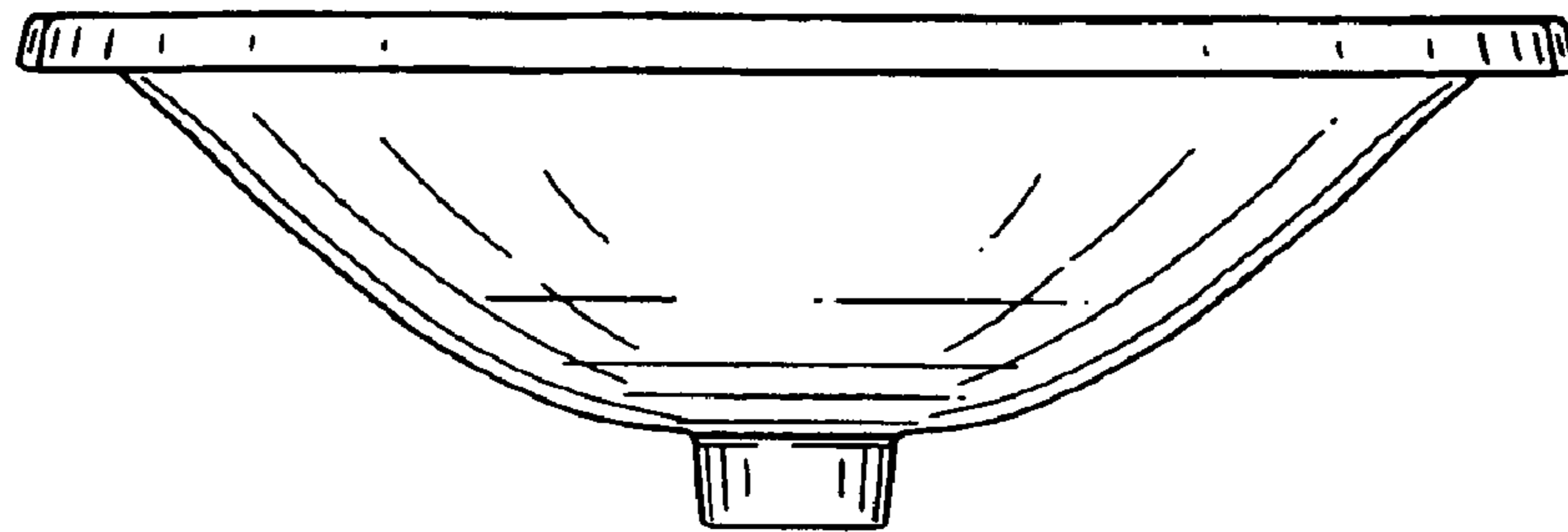


FIG. 4

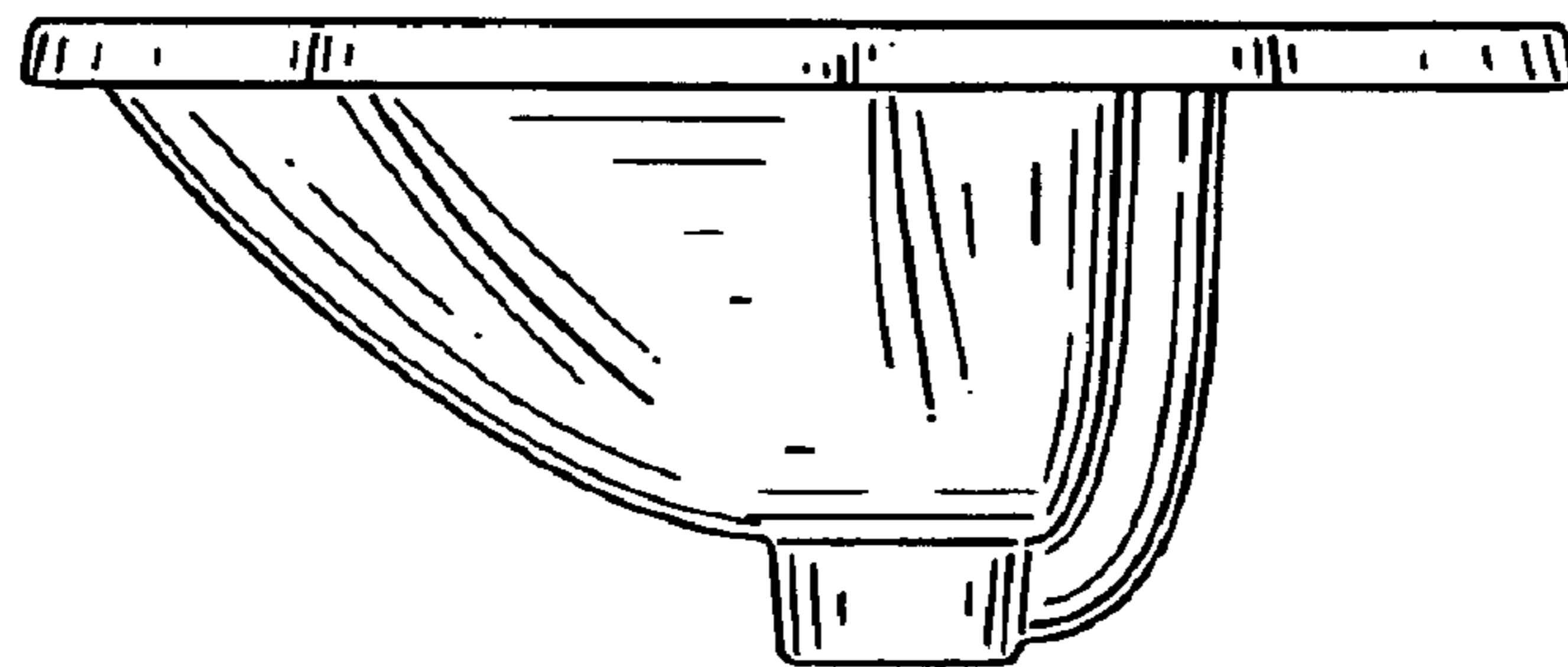


FIG. 5

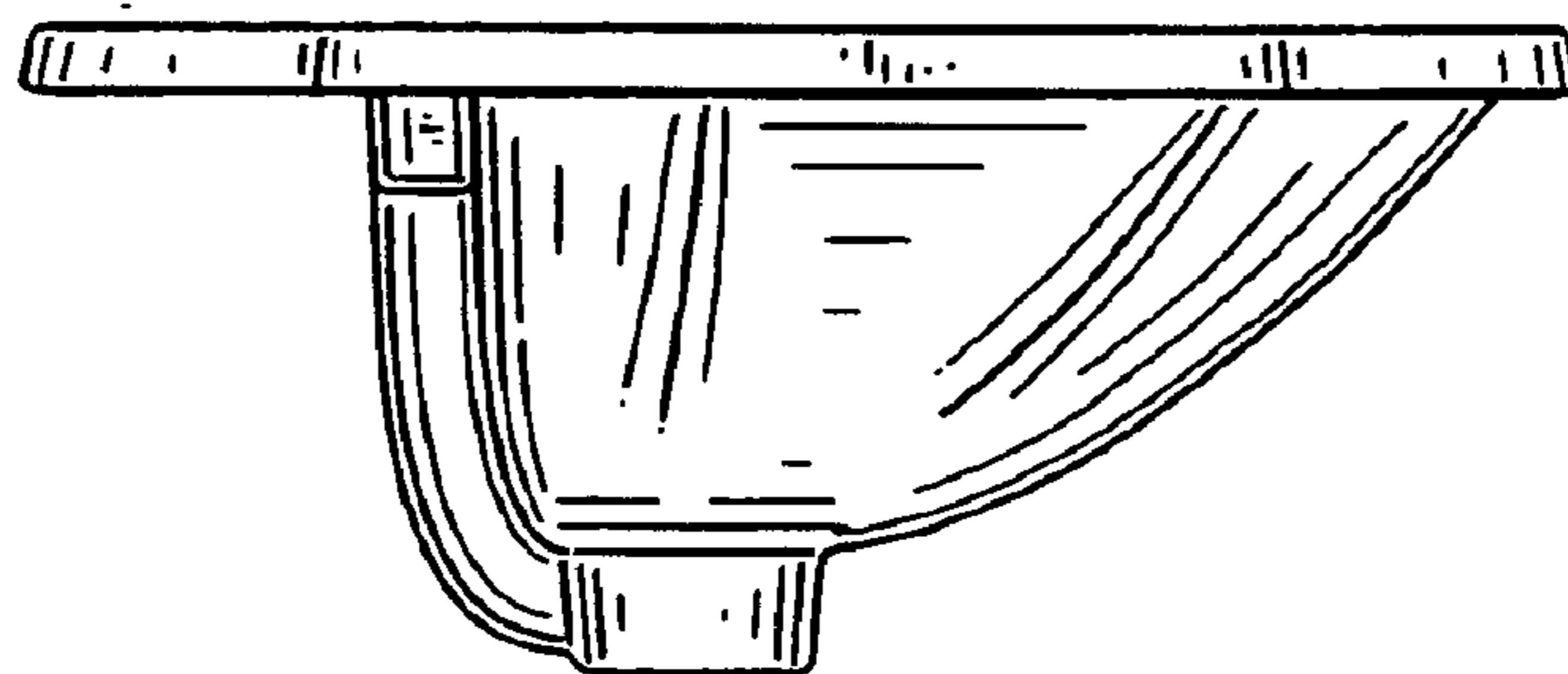


FIG. 6

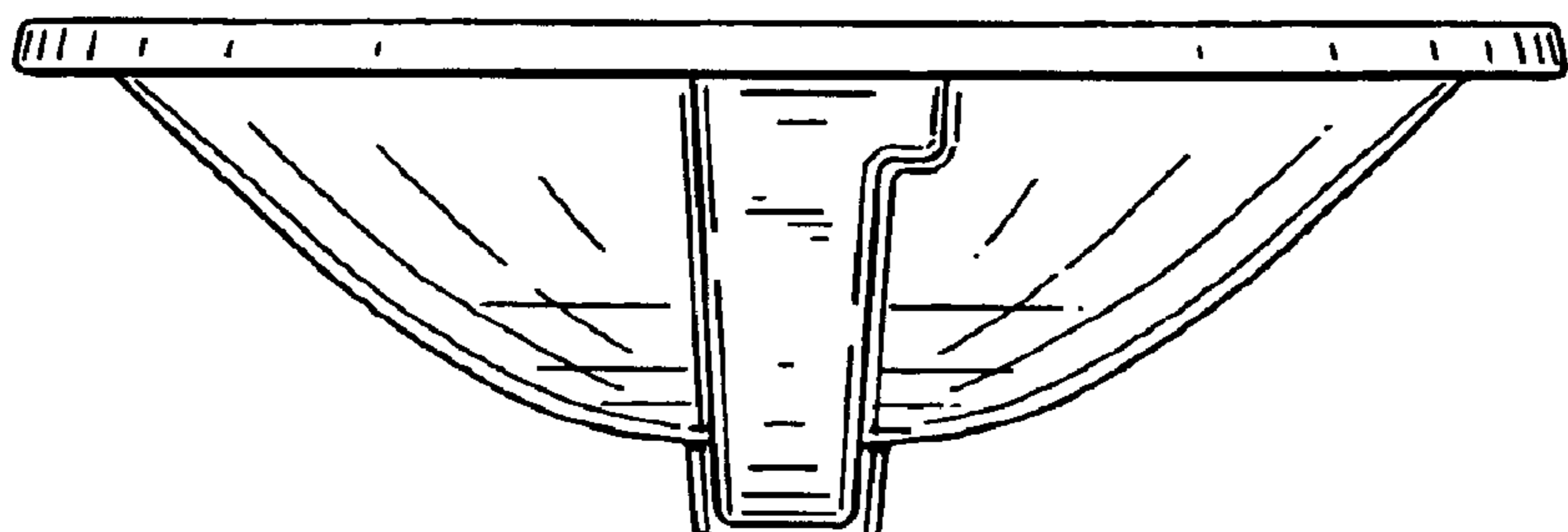


FIG. 7

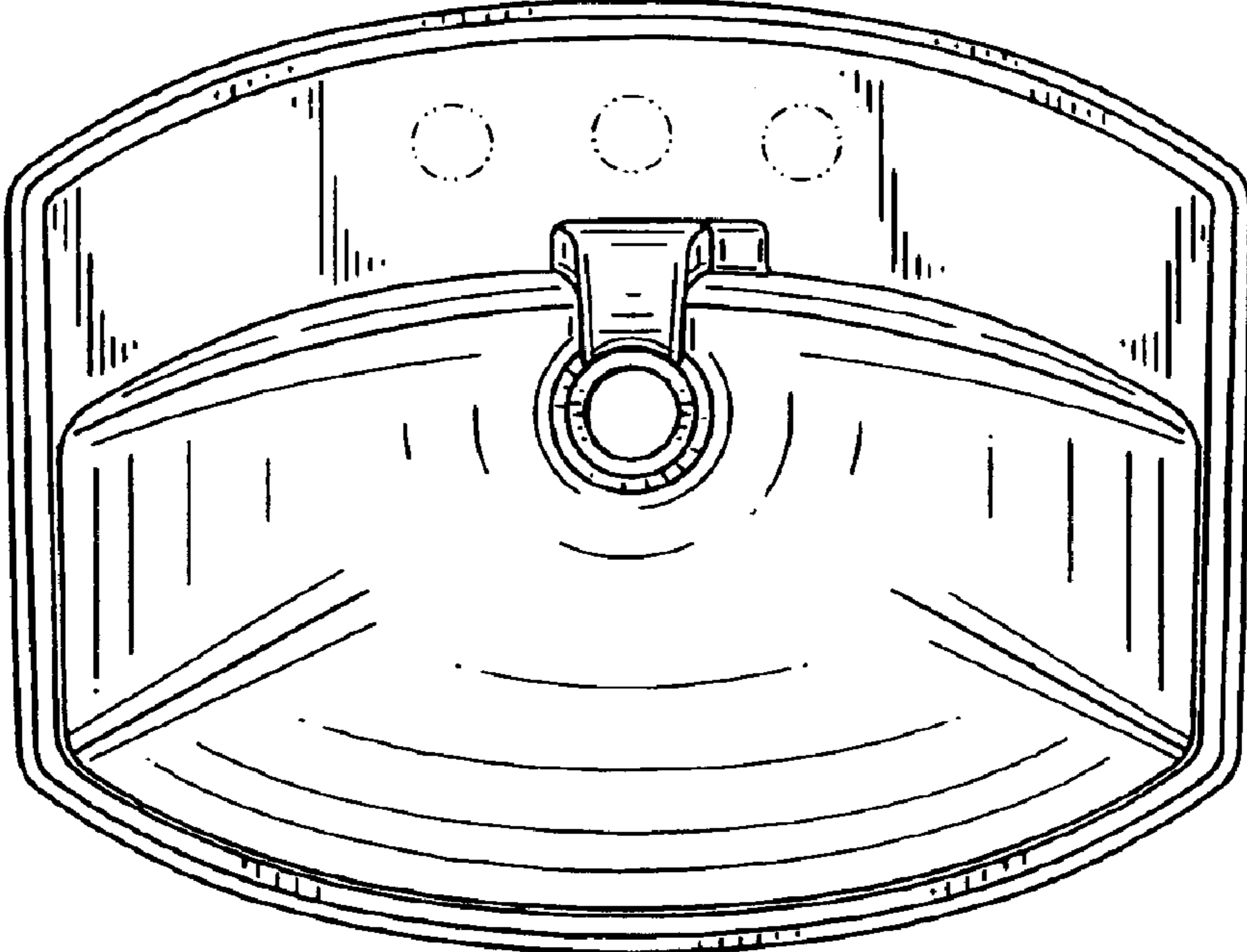


FIG. 8

