



US00D509573S

(12) **United States Design Patent** (10) **Patent No.:** **US D509,573 S**
Reid et al. (45) **Date of Patent:** **** Sep. 13, 2005**

(54) **LAVATORY**

(75) Inventors: **Mary J. Reid**, Sheboygan, WI (US);
Nicole A. Lanius, Sheboygan, WI (US)

(73) Assignee: **Kohler Co.**, Kohler, WI (US)

(**) Term: **14 Years**

(21) Appl. No.: **29/216,427**

(22) Filed: **Nov. 1, 2004**

Related U.S. Application Data

(62) Division of application No. 29/201,975, filed on Mar. 24, 2004, now Pat. No. Des. 501,246.

(51) **LOC (8) Cl.** **23-02**

(52) **U.S. Cl.** **D23/293.1; D5/1; D11/8**

(58) **Field of Search** **D23/270-273, D23/284-285, 289, 292-293.1, 303, 308; 4/662-666, 619, 643, 661, 638, 650-653; D5/1-3, 5, 51, 54; D11/6-8, 16, 40, 43, 79**

(56) **References Cited**

U.S. PATENT DOCUMENTS

1,487,794 A *	3/1924	Melaun	D5/54
D64,506 S	4/1924	Mandalian		
3,456,711 A	7/1969	Spencer		
3,967,129 A	6/1976	Winkler		
3,977,458 A	8/1976	Kuen		
D361,372 S	8/1995	Enthoven		
D430,275 S	8/2000	Slothower		
D475,771 S	6/2003	Svendsen et al.		

OTHER PUBLICATIONS

2001 Kallista catalog ad, p. 2.4, showing a "Michael Smith" console table lavatory.
2000 Kohler catalog ad, p. 6.18, showing a fringed rectangular carpet adjacent various "Memoirs" plumbing fixtures.

* cited by examiner

Primary Examiner—Robert A. Delehanty

(74) *Attorney, Agent, or Firm*—Quarles & Brady, LLP

(57) **CLAIM**

The ornamental design for a lavatory, as shown and described.

DESCRIPTION

In a preferred embodiment, the nature of this product is as a plumbing fixture in the form of a lavatory which is primarily useful for washing the body parts of humans.

FIG. 1 is a left, top, front perspective view of a lavatory embodying our new design;

FIG. 2 is a top plan view thereof;

FIG. 3 is a left side elevational view thereof, the right side elevational view thereof being a mirror image of the left side shown;

FIG. 4 is a front elevational view thereof;

FIG. 5 is a rear elevational view of the sink portion thereof, albeit with bead curtains removed for purposes of illustration only;

FIG. 6 is a bottom plan view thereof, albeit with bead curtains removed for purposes of illustration only; and,

FIG. 7 is an enlarged fragmentary view of the beaded curtain portion thereof taken along lines 7—7 of FIG. 1.

The broken line representations of holes in FIGS. 4 and 5 are for the purpose of illustration only, and form no part of the claimed design.

1 Claim, 6 Drawing Sheets

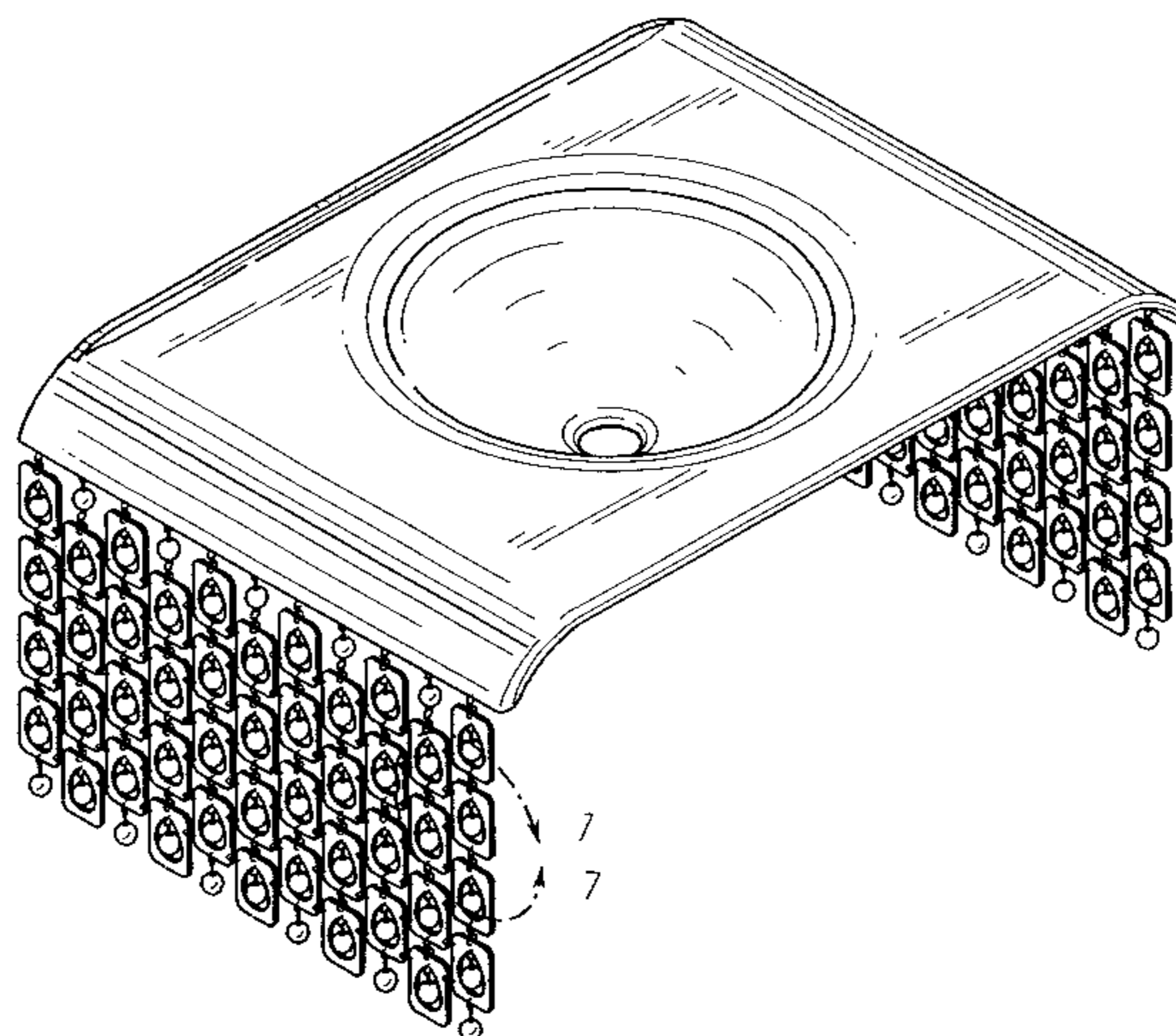


FIG. 1

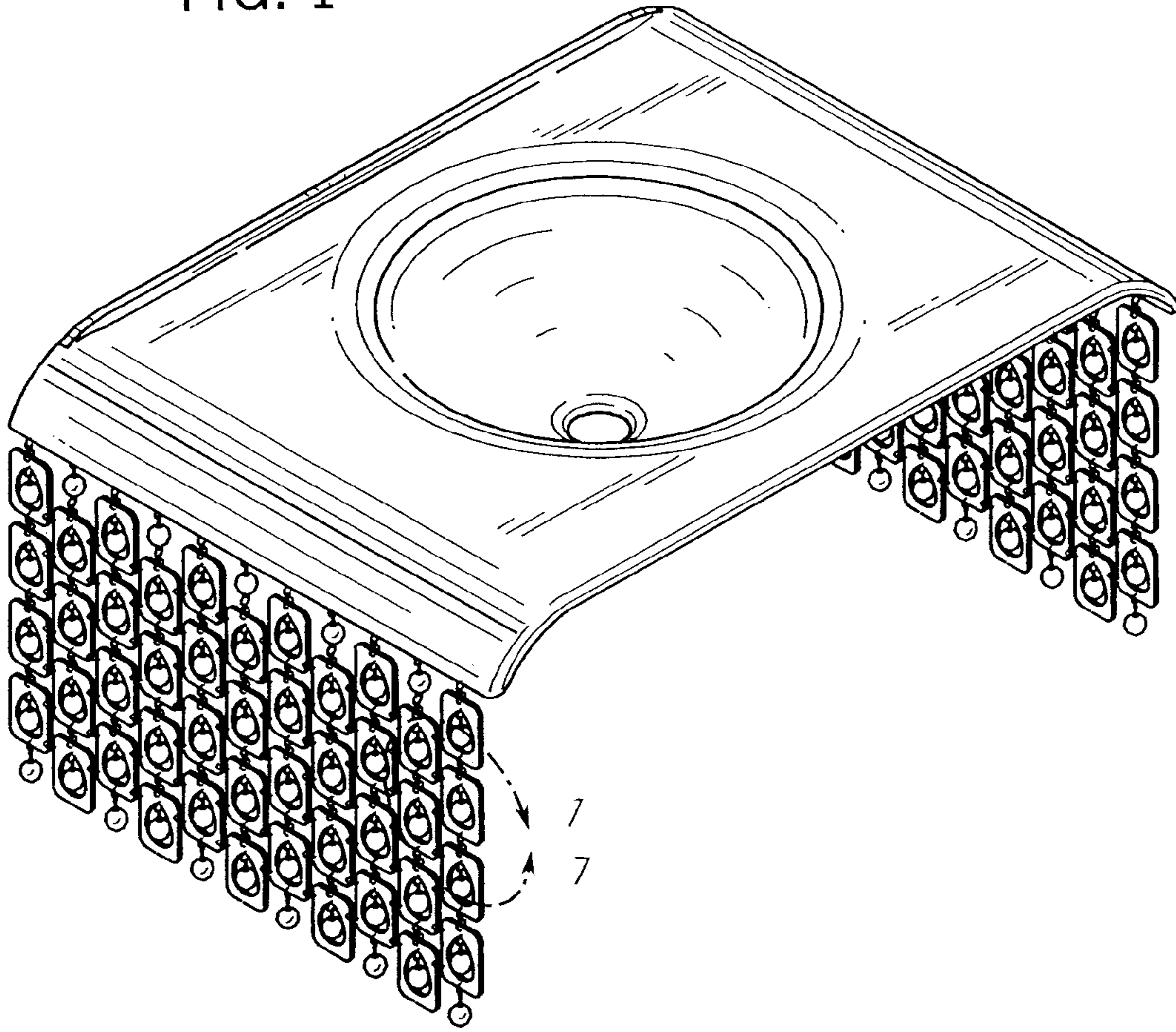


FIG. 7

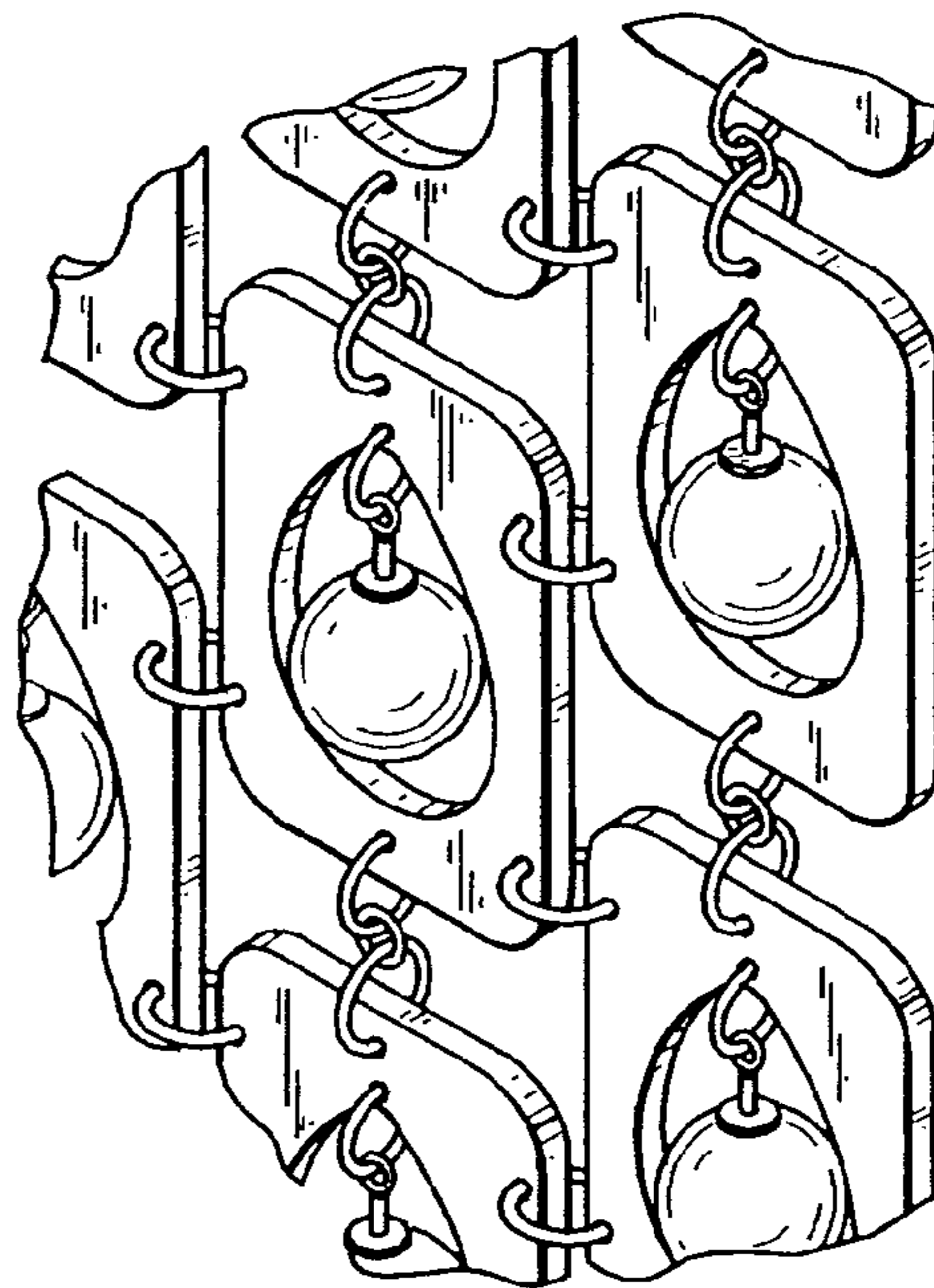


FIG. 2

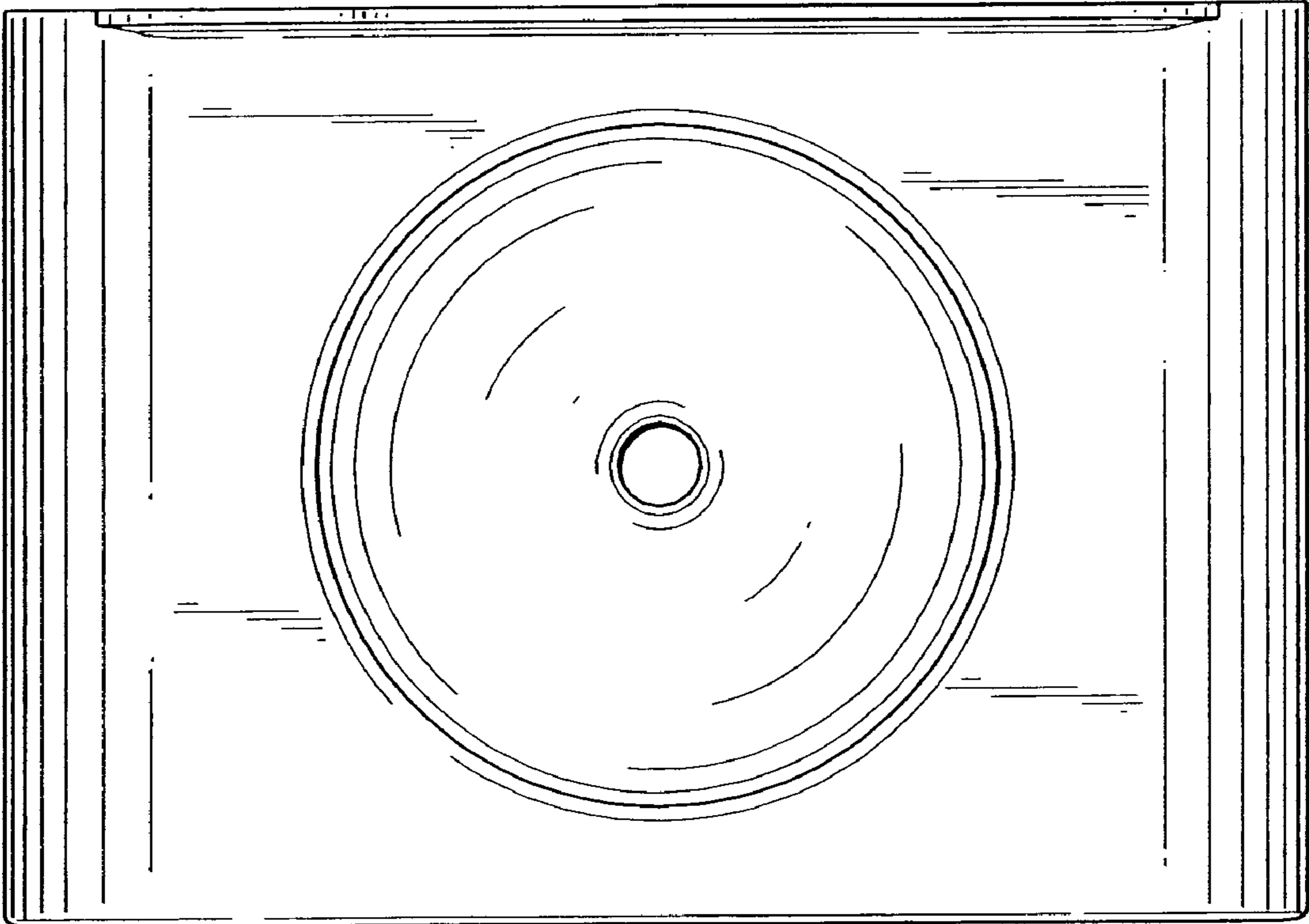


FIG. 3

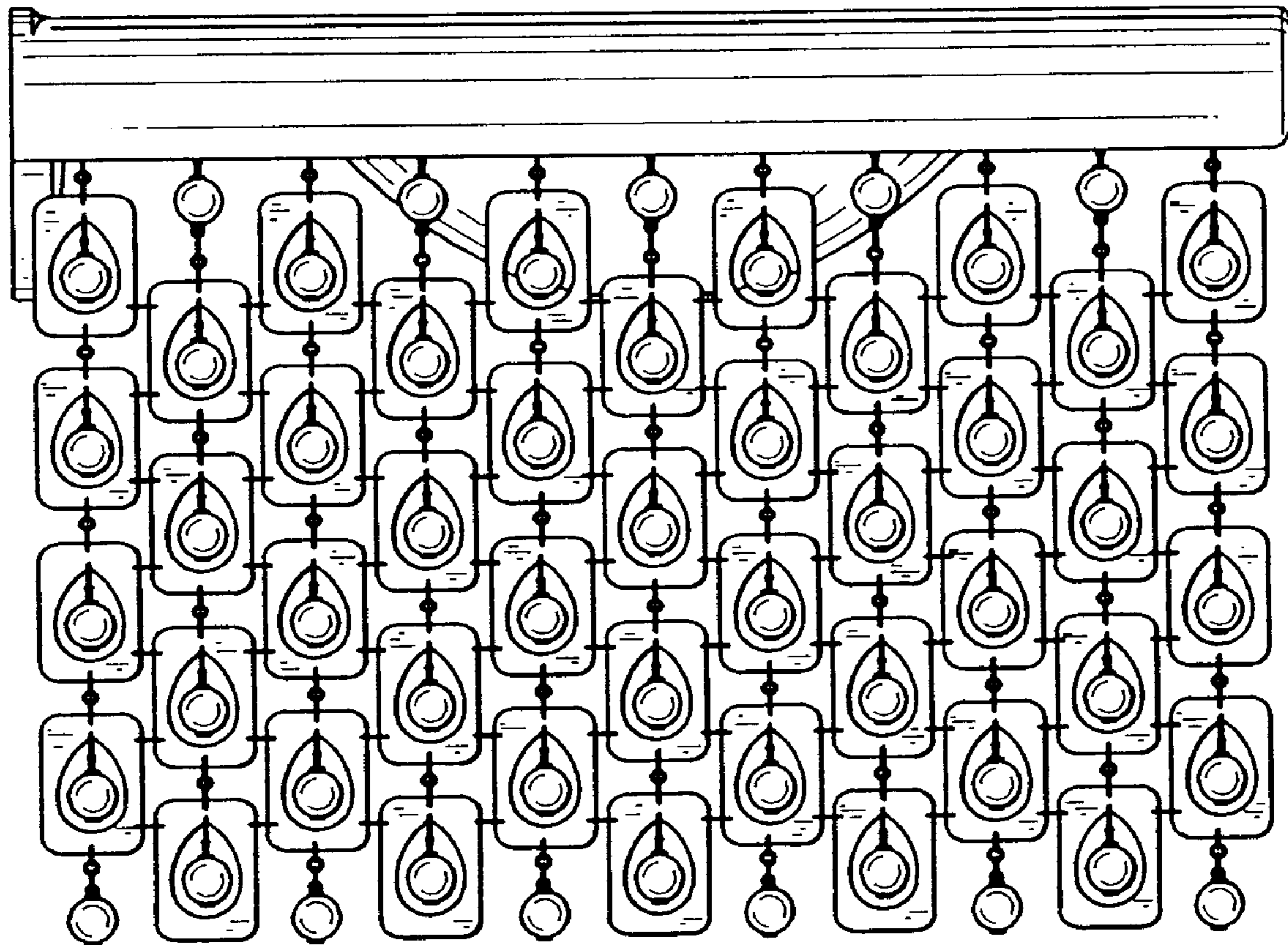
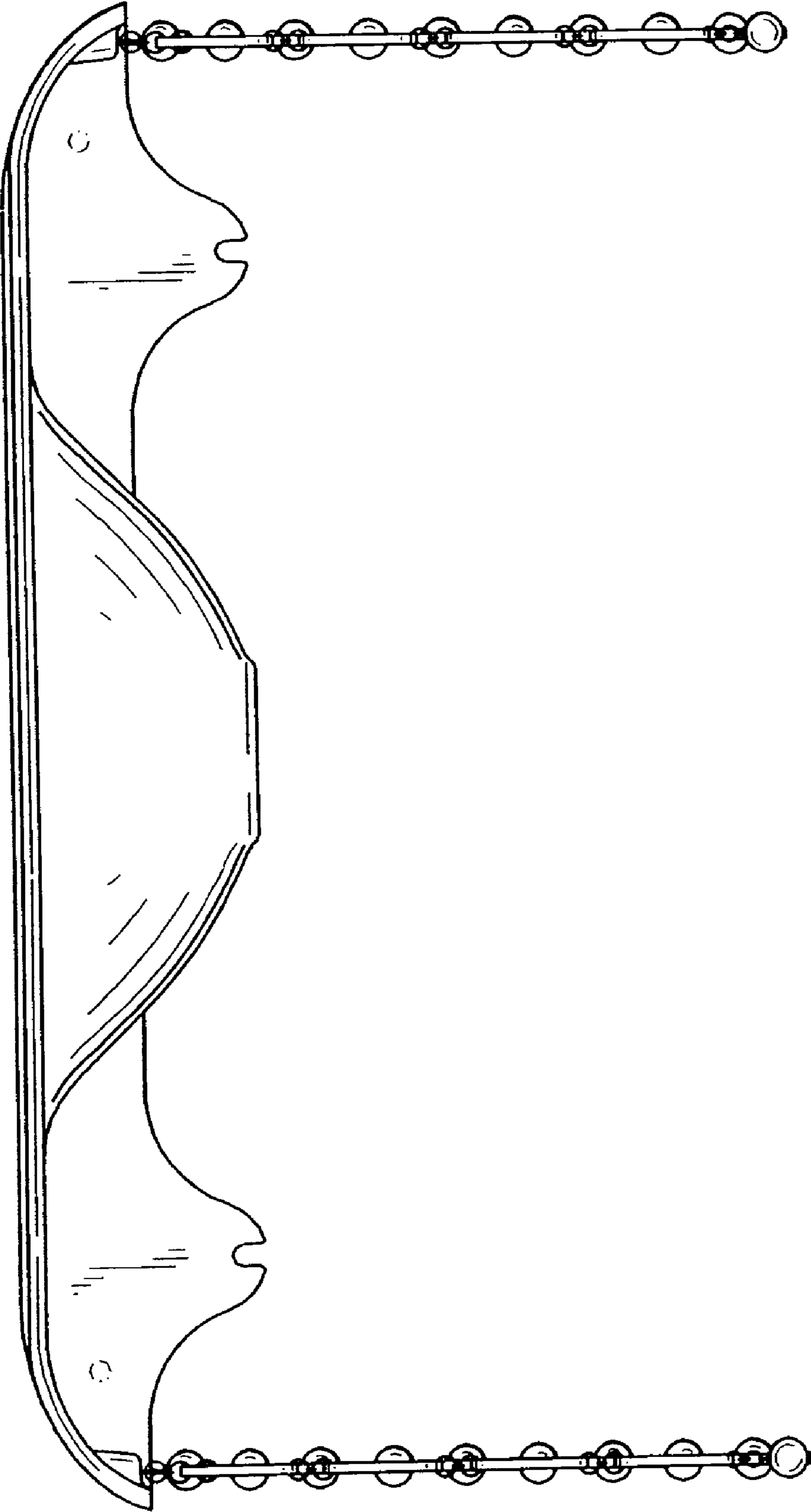


FIG. 4



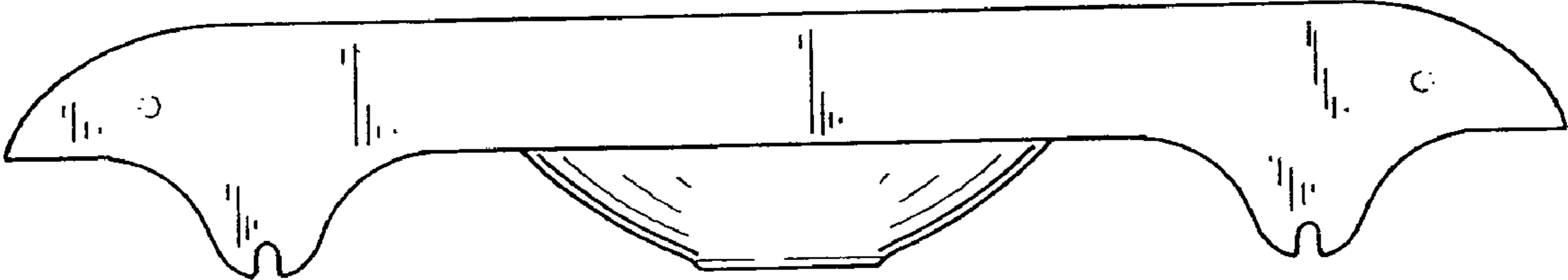


FIG. 5

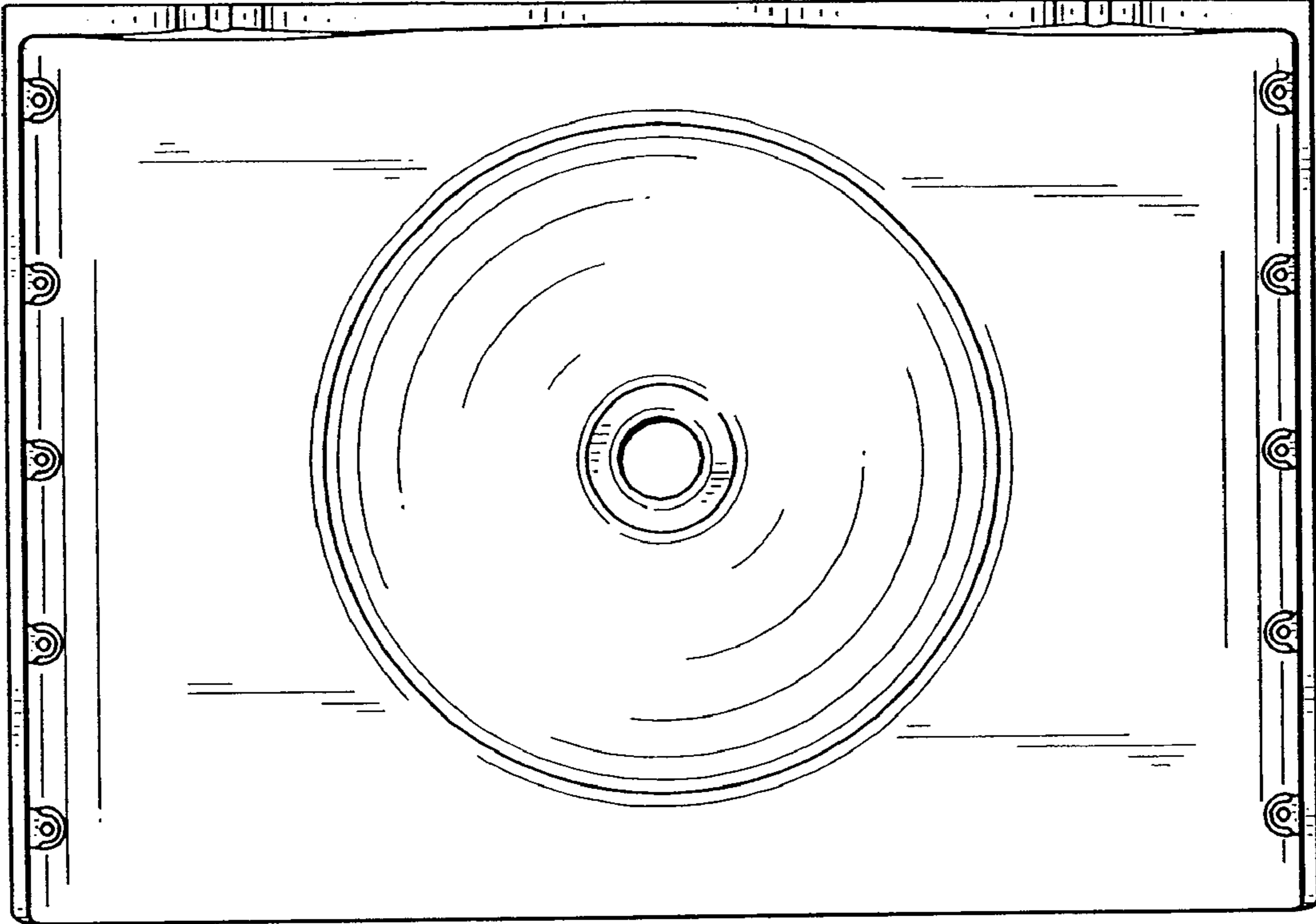


FIG. 6