



US00D509572S

(12) **United States Design Patent**  
**Arkay-Leliever**

(10) **Patent No.:** **US D509,572 S**

(45) **Date of Patent:** **\*\* Sep. 13, 2005**

(54) **FAUCET**

(75) **Inventor:** **Christian P. Arkay-Leliever**, Farfield, CT (US)

(73) **Assignees:** **Sloan Valve Company**, Franklin Park, IL (US); **Skidmore, Owings & Merrill LLP**, New York, NY (US)

(\*\*) **Term:** **14 Years**

(21) **Appl. No.:** **29/197,695**

(22) **Filed:** **Jan. 20, 2004**

(51) **LOC (8) Cl.** ..... **23-01**

(52) **U.S. Cl.** ..... **D23/255**

(58) **Field of Search** ..... D23/238-257;  
4/675-678; 137/801

(56) **References Cited**

**U.S. PATENT DOCUMENTS**

- D101,443 S \* 10/1936 Dreyfuss ..... D23/255
- D189,806 S \* 2/1961 Chapman ..... D23/257
- D302,203 S \* 7/1989 Paul ..... D23/257

- D403,055 S \* 12/1998 Nguyen ..... D23/255
- D417,262 S \* 11/1999 Caplow ..... D23/255
- D461,230 S \* 8/2002 Ko ..... D23/255

\* cited by examiner

*Primary Examiner*—Louis S. Zarfaz

*Assistant Examiner*—G. Andoll

(74) *Attorney, Agent, or Firm*—Cook, Alex, McFarron, Manzo, Cummings & Mehler, Ltd.

(57) **CLAIM**

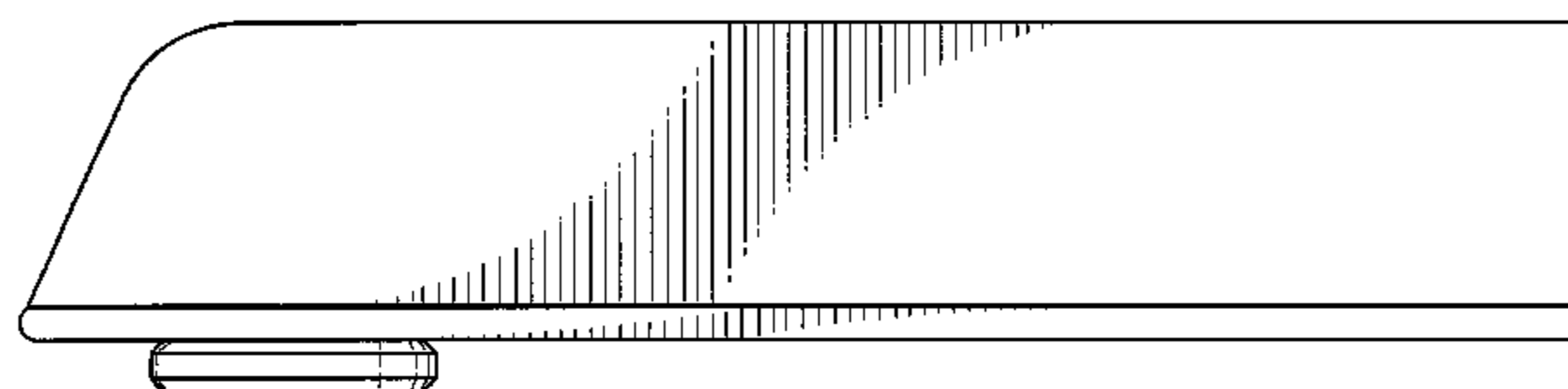
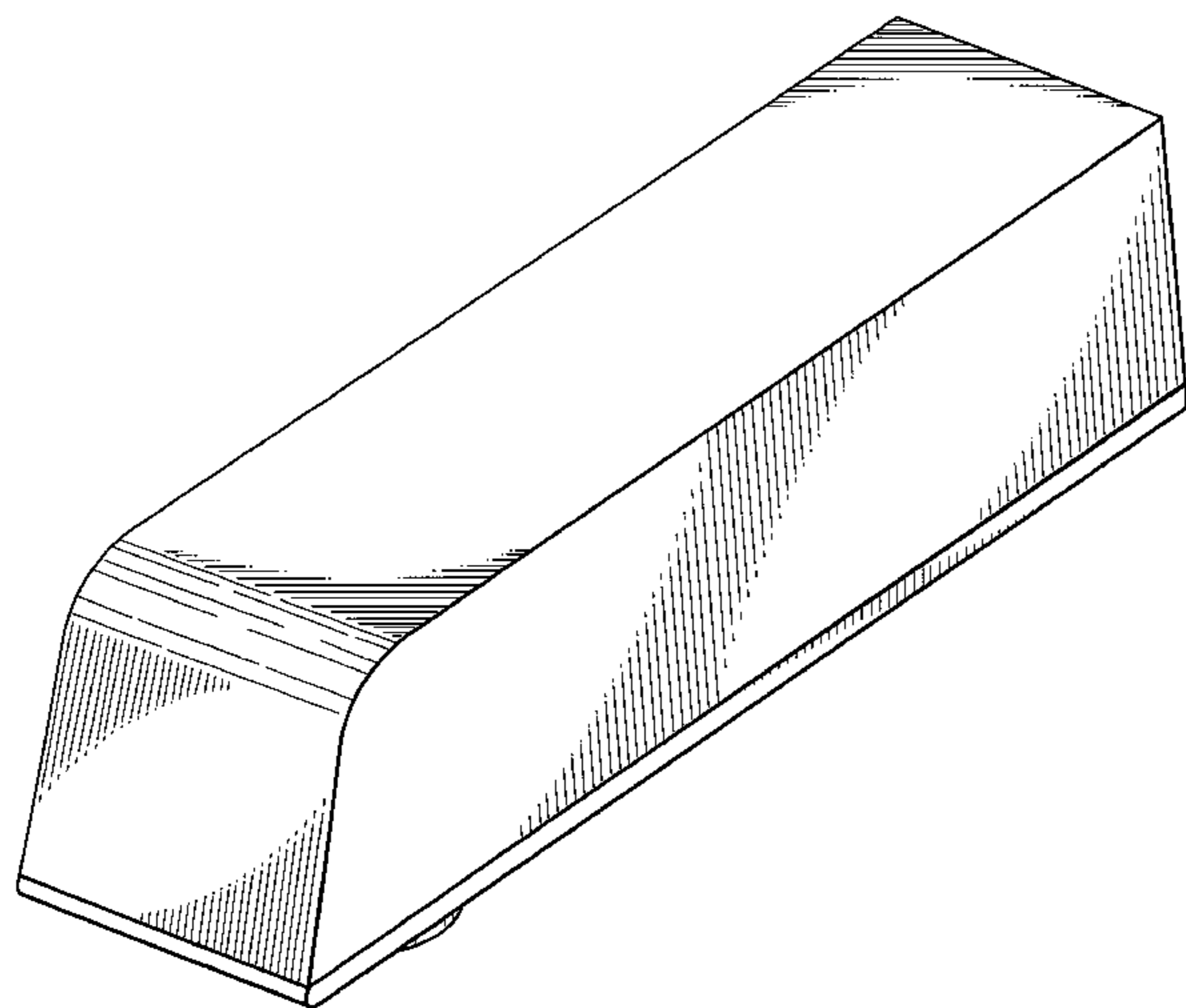
The ornamental design for a faucet, as shown and described.

**DESCRIPTION**

FIG. 1 is a perspective view of my new design for a faucet; FIG. 2 is a left side elevation view thereof; FIG. 3 is a right side elevation view thereof; FIG. 4 is a top plan view thereof; FIG. 5 is a bottom plan view thereof; FIG. 6 is a front elevation view; and, FIG. 7 is a rear elevation view.

The broken lines in the Figures are for illustrative purposes only and form no part of the claimed design.

**1 Claim, 3 Drawing Sheets**



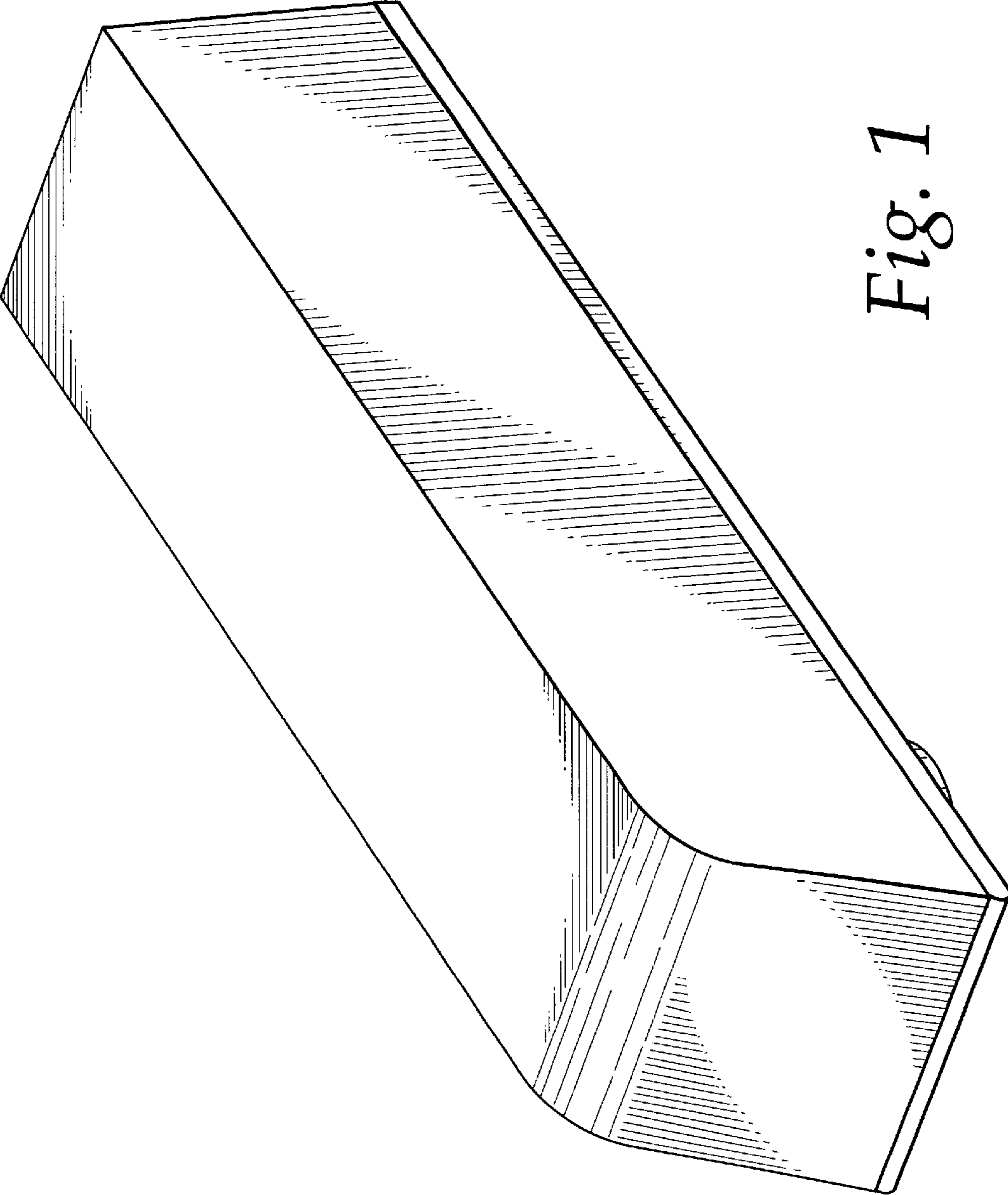
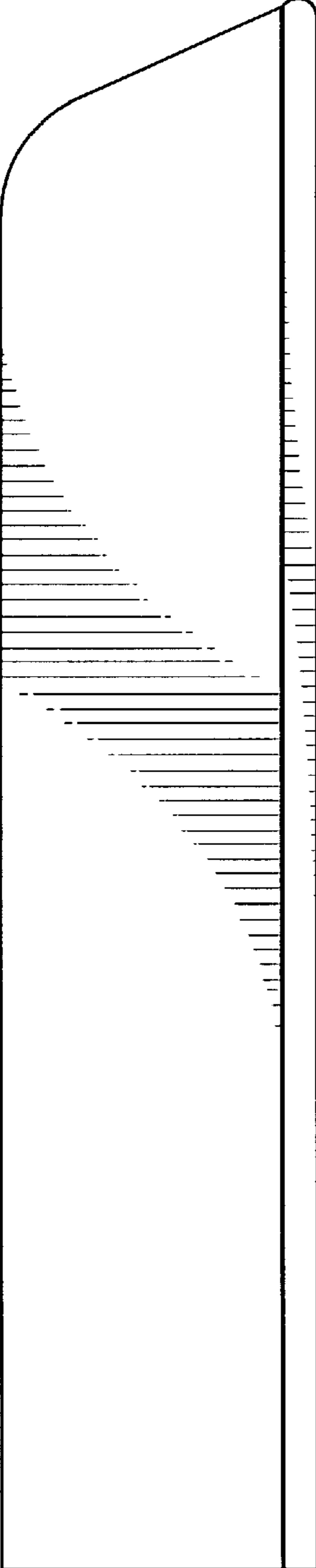
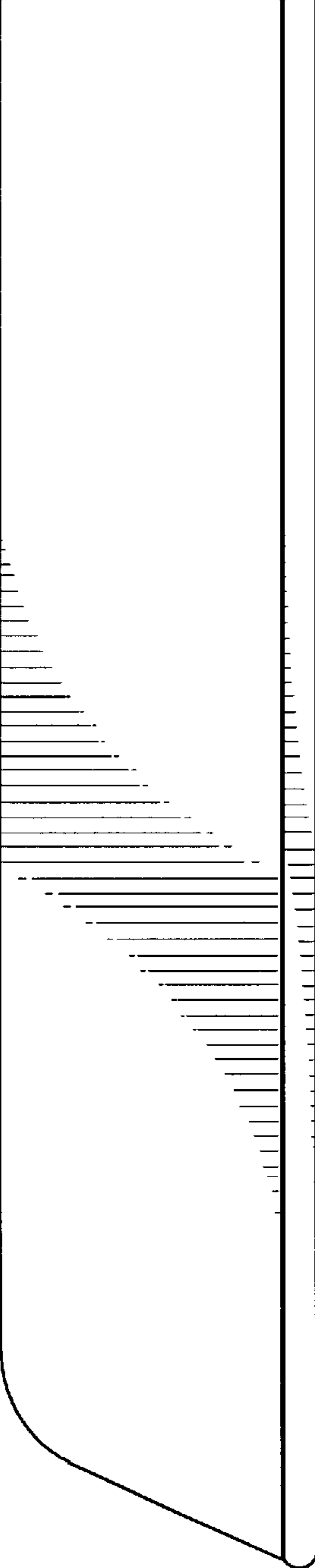


Fig. 1



*Fig. 2*



*Fig. 3*

Fig. 4

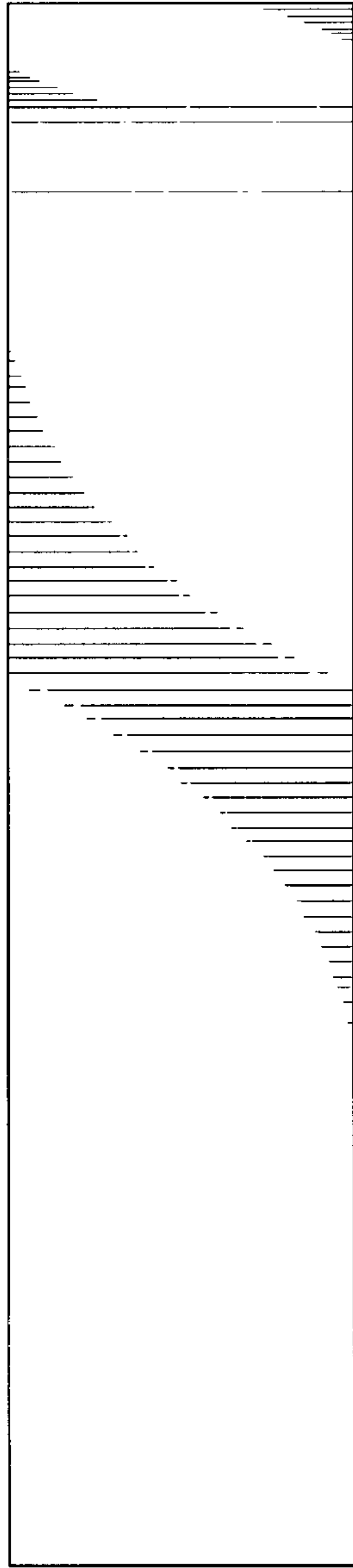


Fig. 5

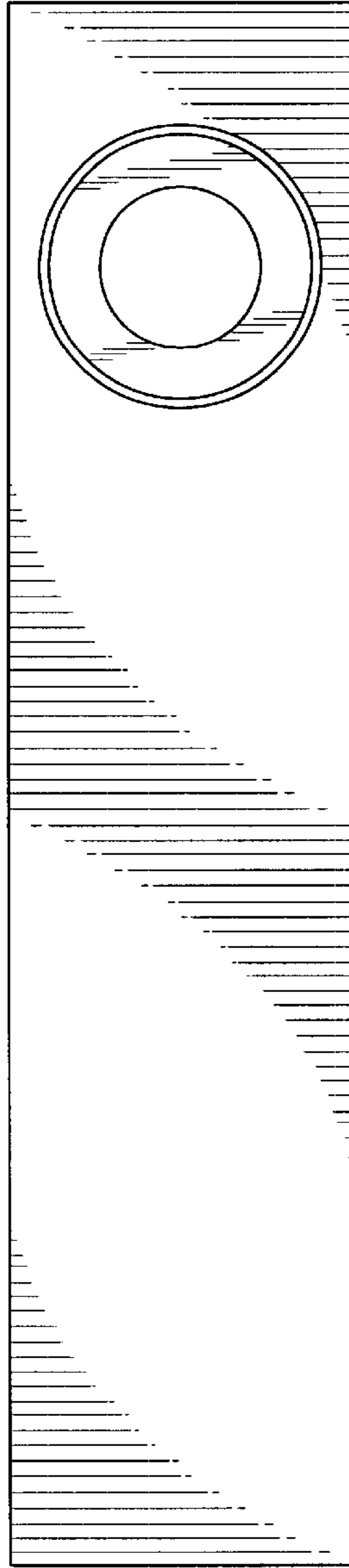


Fig. 7

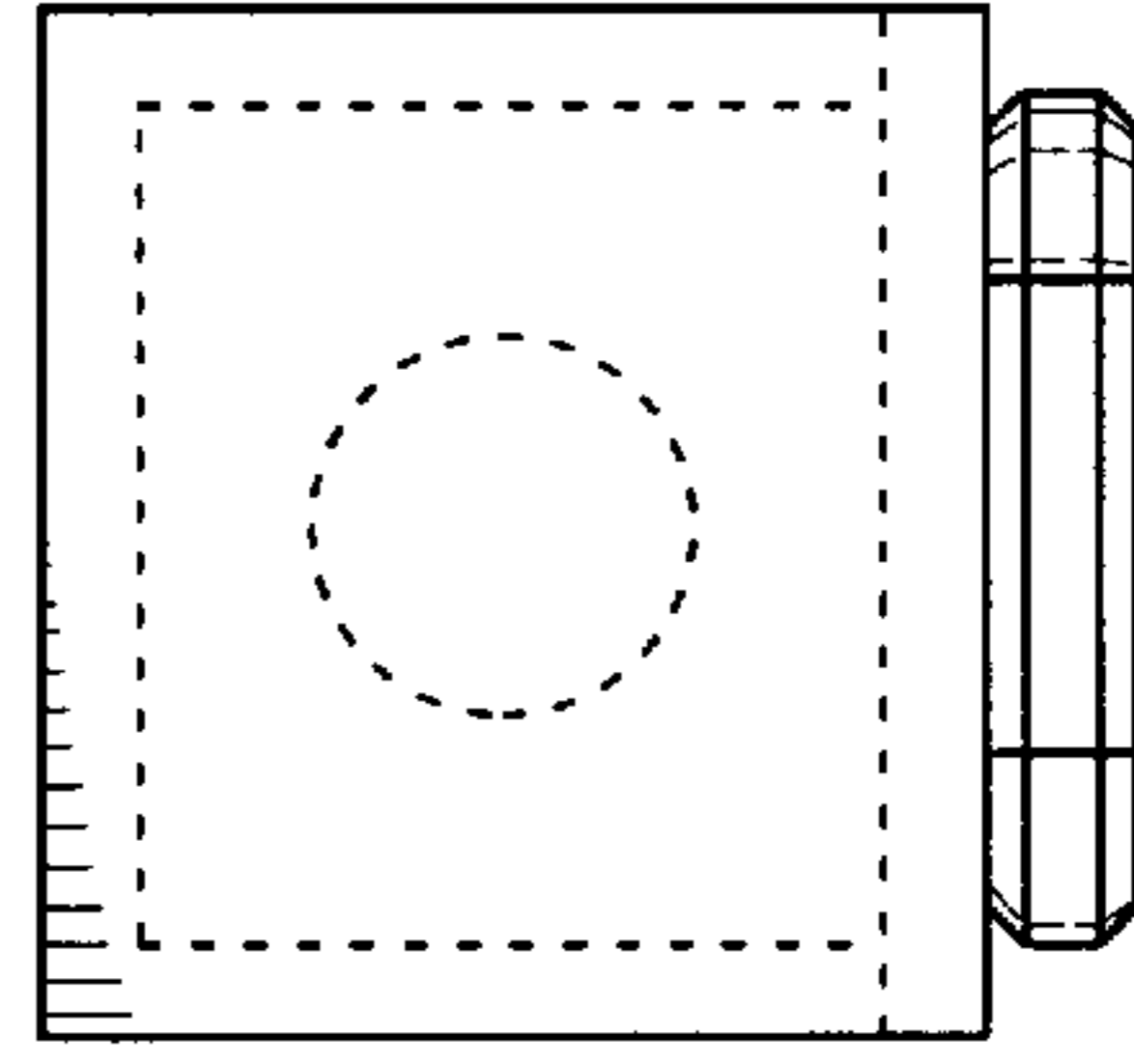


Fig. 6

