

US00D509567S

(12) **United States Design Patent**
Gilbert

(10) **Patent No.:** **US D509,567 S**

(45) **Date of Patent:** **** Sep. 13, 2005**

(54) **HUB**

(75) **Inventor:** **Christopher Jon Gilbert**, Moreland Hills, OH (US)

(73) **Assignee:** **Moen Incorporated**, North Olmsted, OH (US)

(**) **Term:** **14 Years**

(21) **Appl. No.:** **29/202,355**

(22) **Filed:** **Mar. 30, 2004**

(51) **LOC (8) Cl.** **23-01**

(52) **U.S. Cl.** **D23/249; D23/250**

(58) **Field of Search** **D23/238-243, D23/245, 250-257; D8/300-322, 350-353, DIG. 3; 16/110.1; 4/675-678; 137/801**

(56) **References Cited**

U.S. PATENT DOCUMENTS

923,447 A	6/1909	Schmidt	
D50,151 S	1/1917	Mortimer	
D72,505 S	4/1927	VanEewyk	
2,370,433 A	2/1945	Williams	
D149,386 S	4/1948	Smolensky	
D235,098 S	5/1975	Doman	
D265,117 S	6/1982	Fleischmann et al.	
4,349,940 A	9/1982	Fleischmann et al.	
D348,509 S	* 7/1994	Bollenbacher D23/254
D349,155 S	7/1994	McKeone et al.	
D371,826 S	7/1996	Robbins	

D407,466 S	*	3/1999	Hundley et al.	D23/252
D437,631 S		2/2001	Robbins		
D461,531 S		8/2002	Ouyoung		
D461,532 S		8/2002	Ouyoung		
D463,533 S	*	9/2002	Ko	D23/242
D466,981 S		12/2002	Cosolito et al.		
D472,607 S		4/2003	Warshawsky et al.		
D472,608 S		4/2003	Shieh		
D483,093 S	*	12/2003	Bates et al.	D23/252

* cited by examiner

Primary Examiner—Louis S. Zarfaz

Assistant Examiner—Gregory Andoll

(74) *Attorney, Agent, or Firm*—Calfee, Halter and Griswold LLP

(57) **CLAIM**

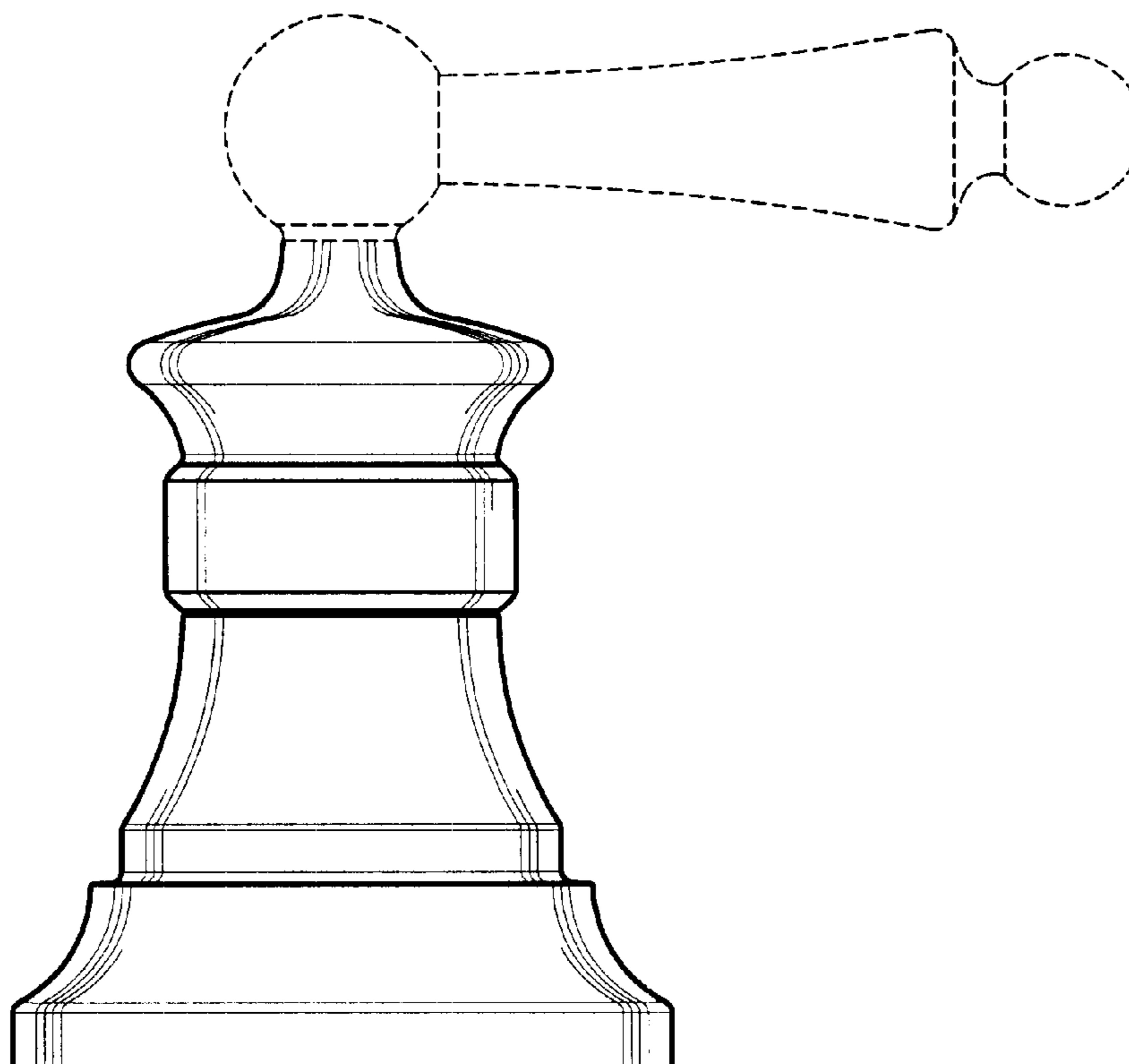
The ornamental design for a hub, as shown and described.

DESCRIPTION

FIG. 1 is a perspective view of a hub of the new design; FIG. 2 is a left side elevational view of the hub of FIG. 1; FIG. 3 is a front elevational view of the hub of FIG. 1; FIG. 4 is a top plan view of the hub of FIG. 1; FIG. 5 is a right side elevational view of the hub of FIG. 1; FIG. 6 is a rear elevational view of the hub of FIG. 1; and, FIG. 7 is a bottom plan view of the hub of FIG. 1.

The portions of the Figures shown in phantom lines are not part of the claimed design and are for illustration purposes only.

1 Claim, 3 Drawing Sheets



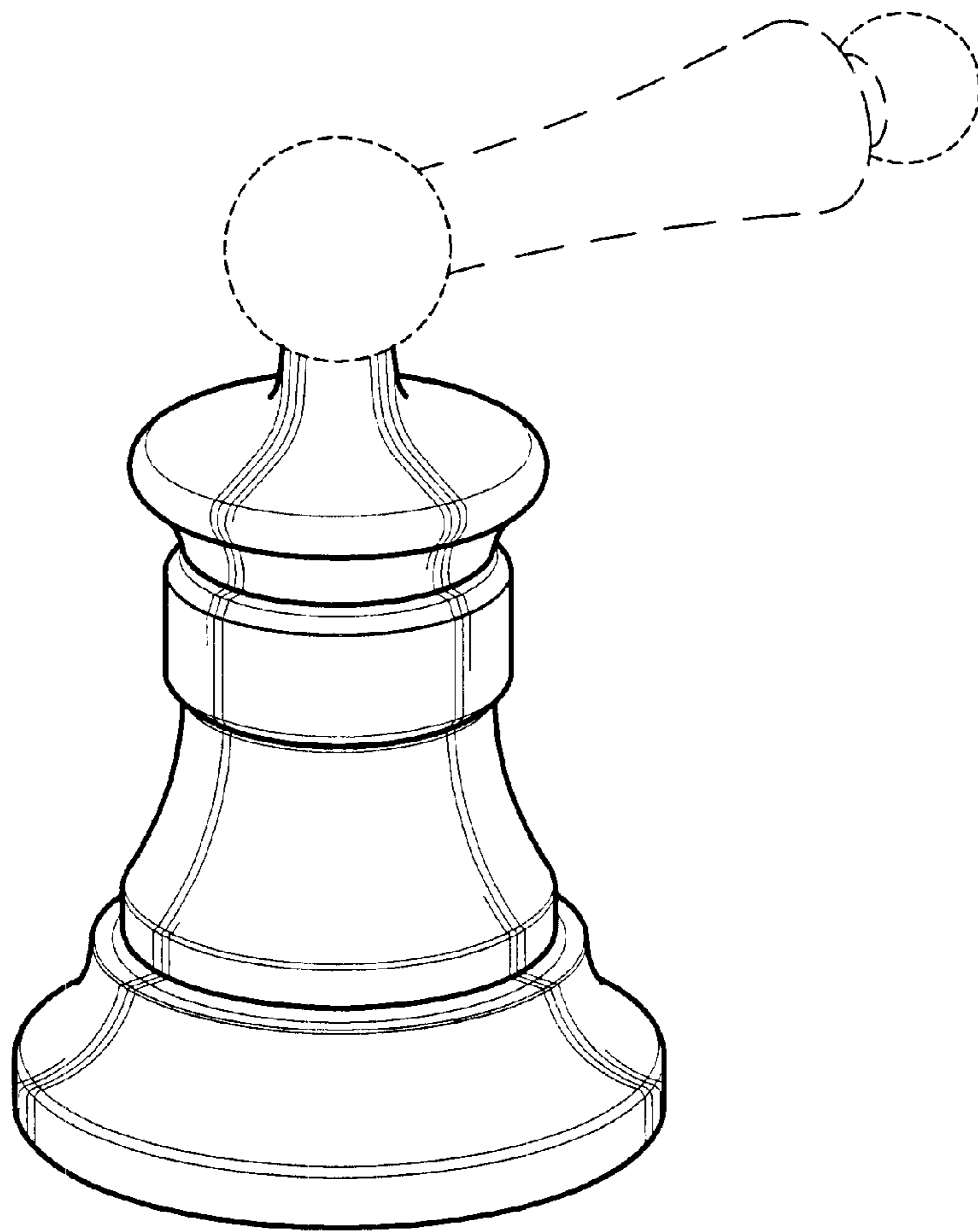


FIG. 1

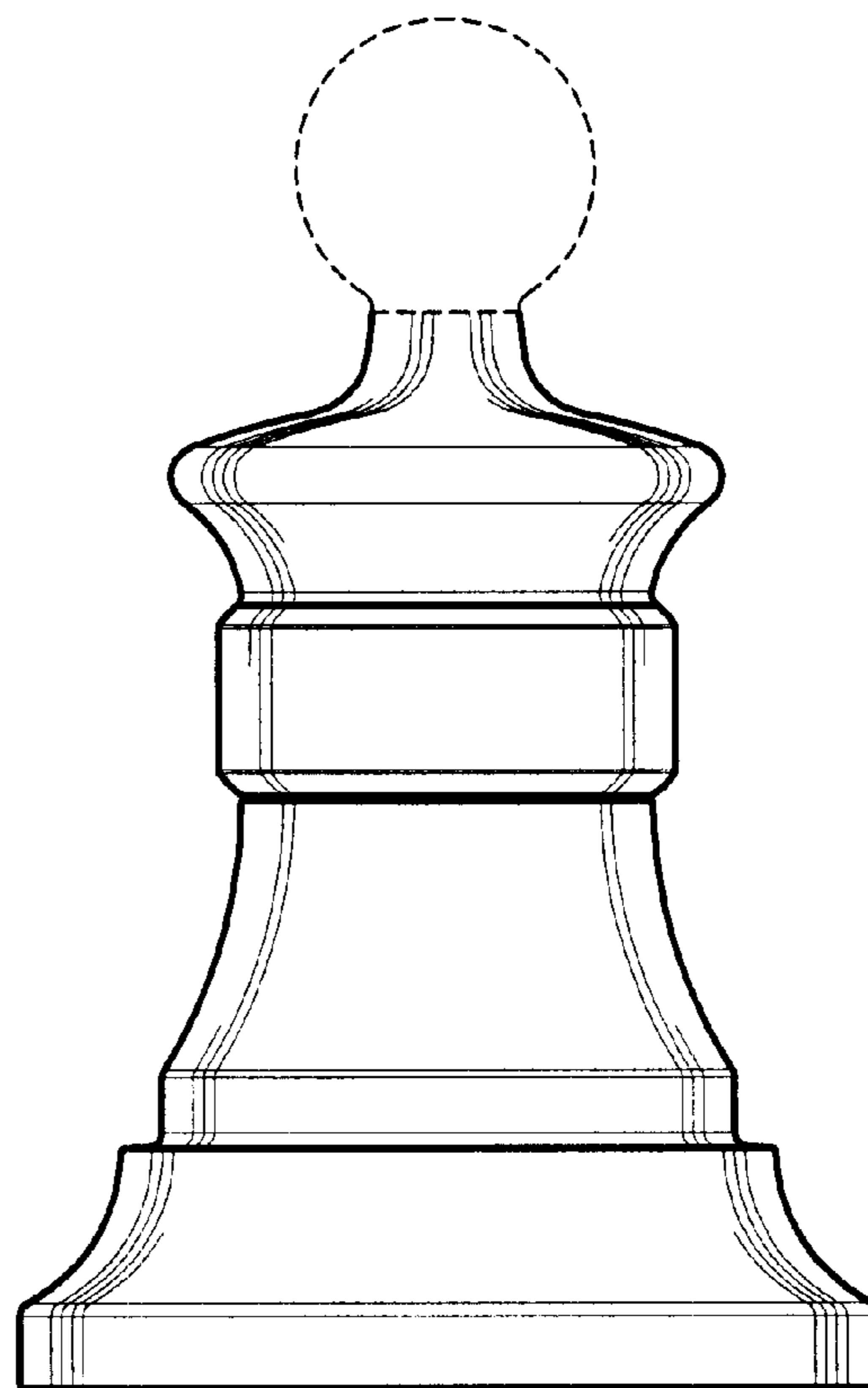


FIG. 2

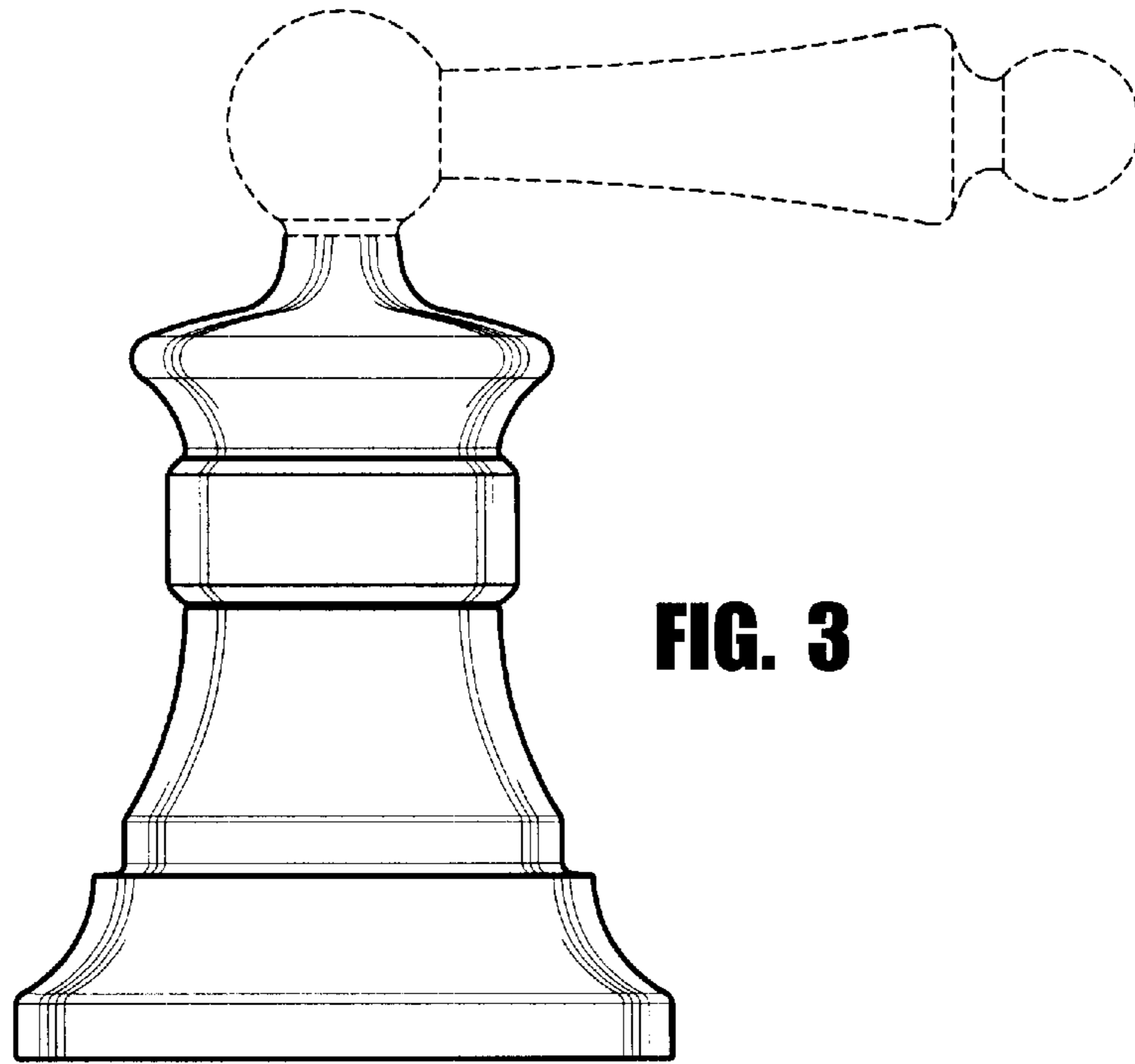


FIG. 3

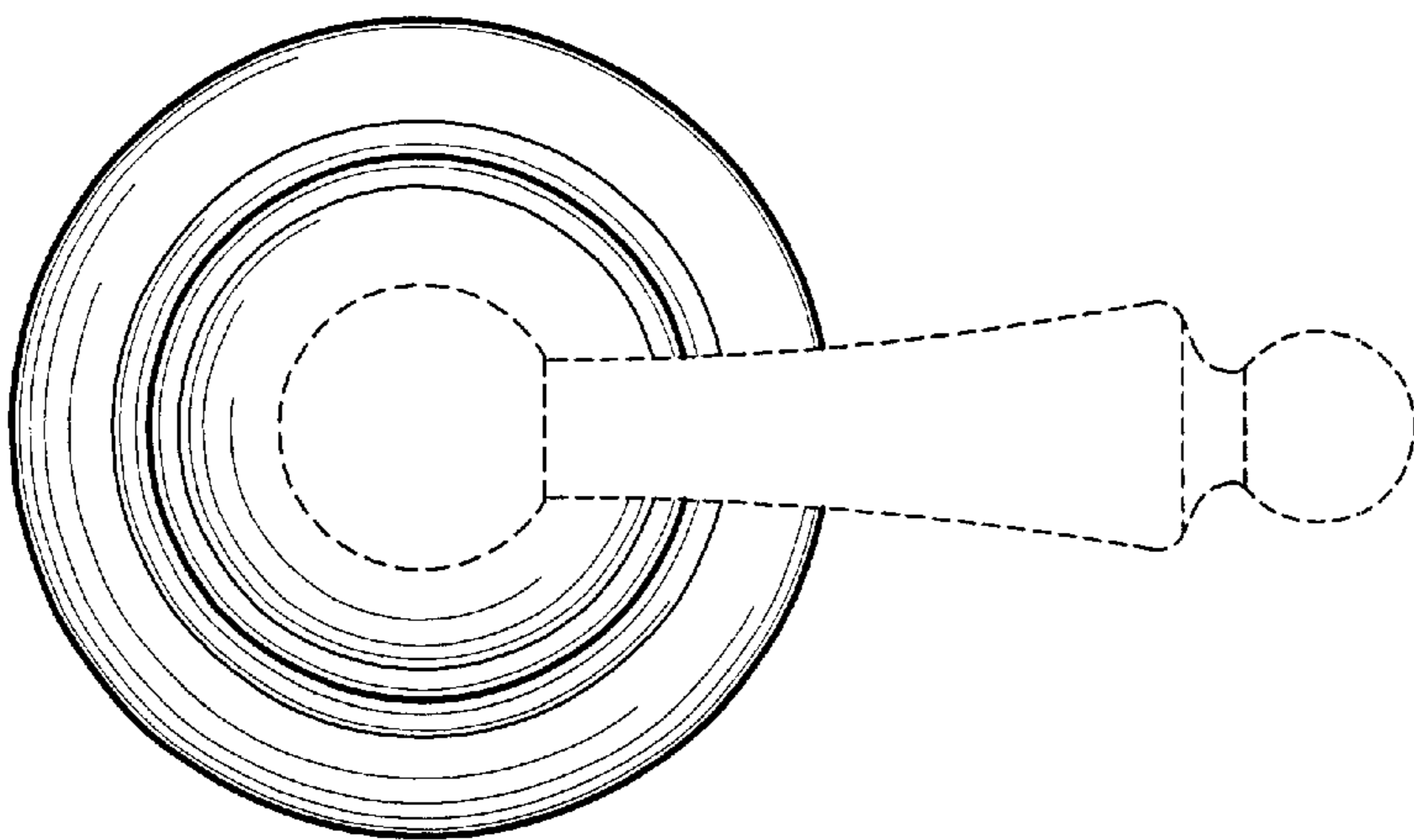


FIG. 4

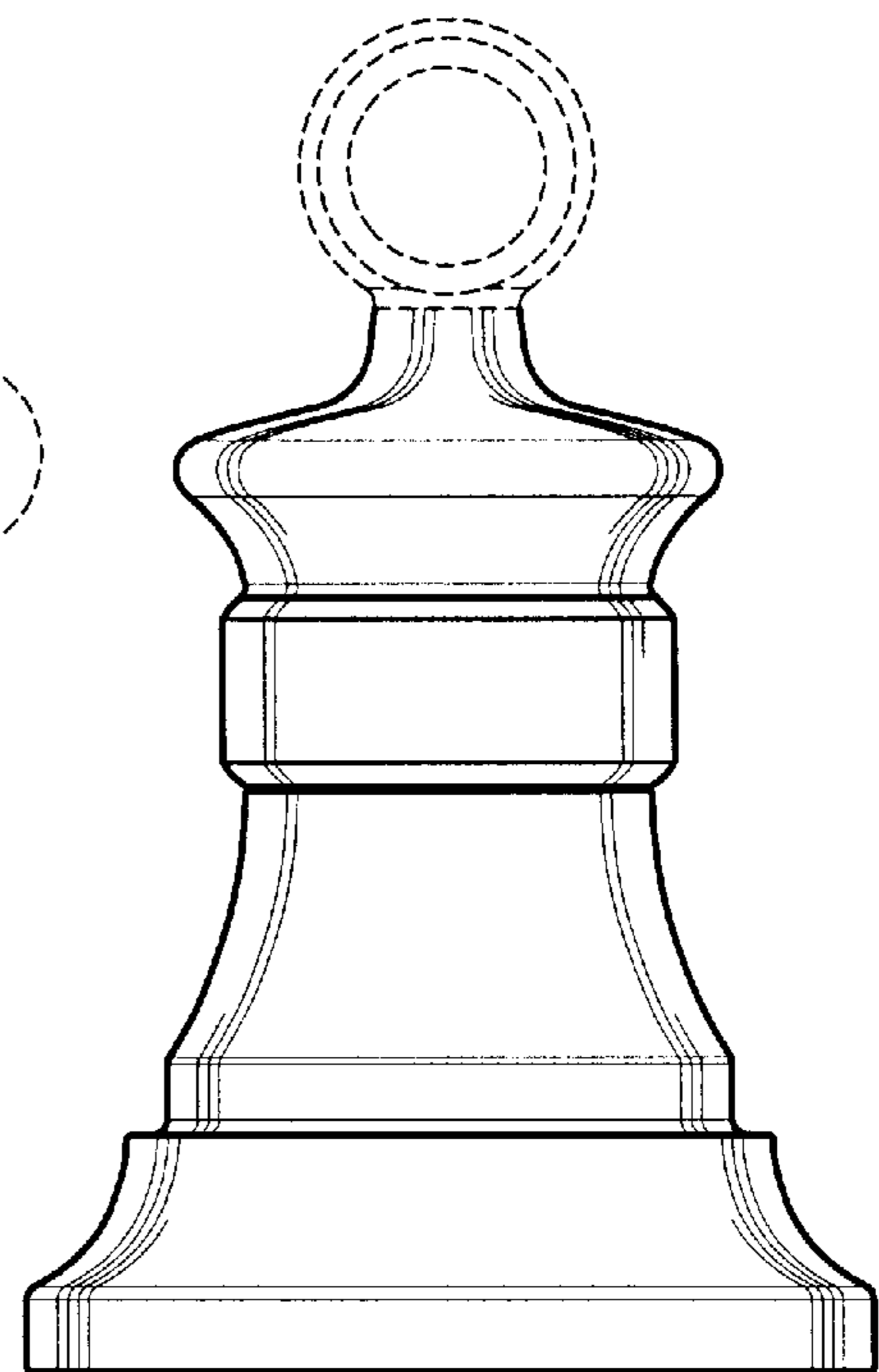


FIG. 5

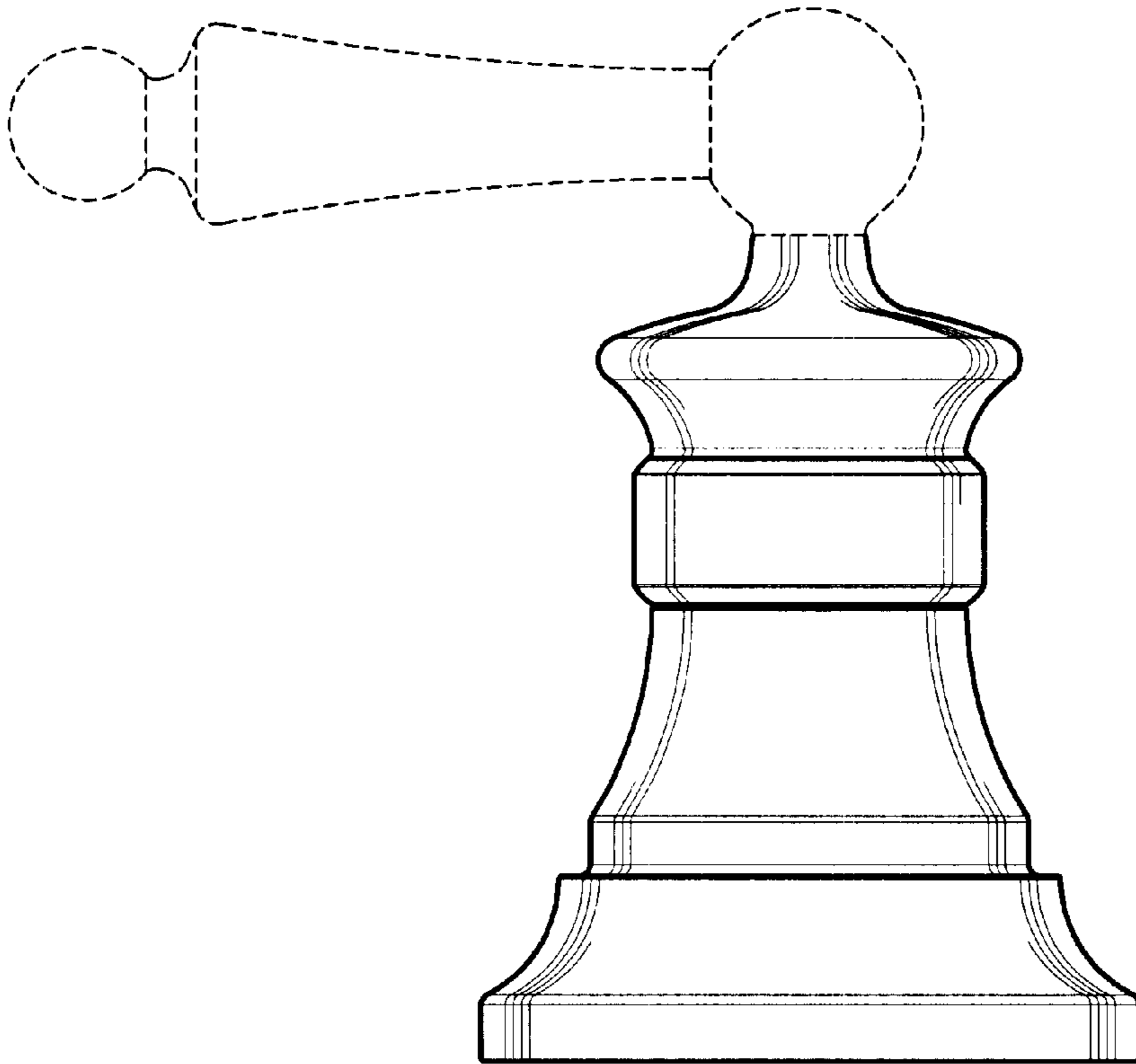


FIG. 6

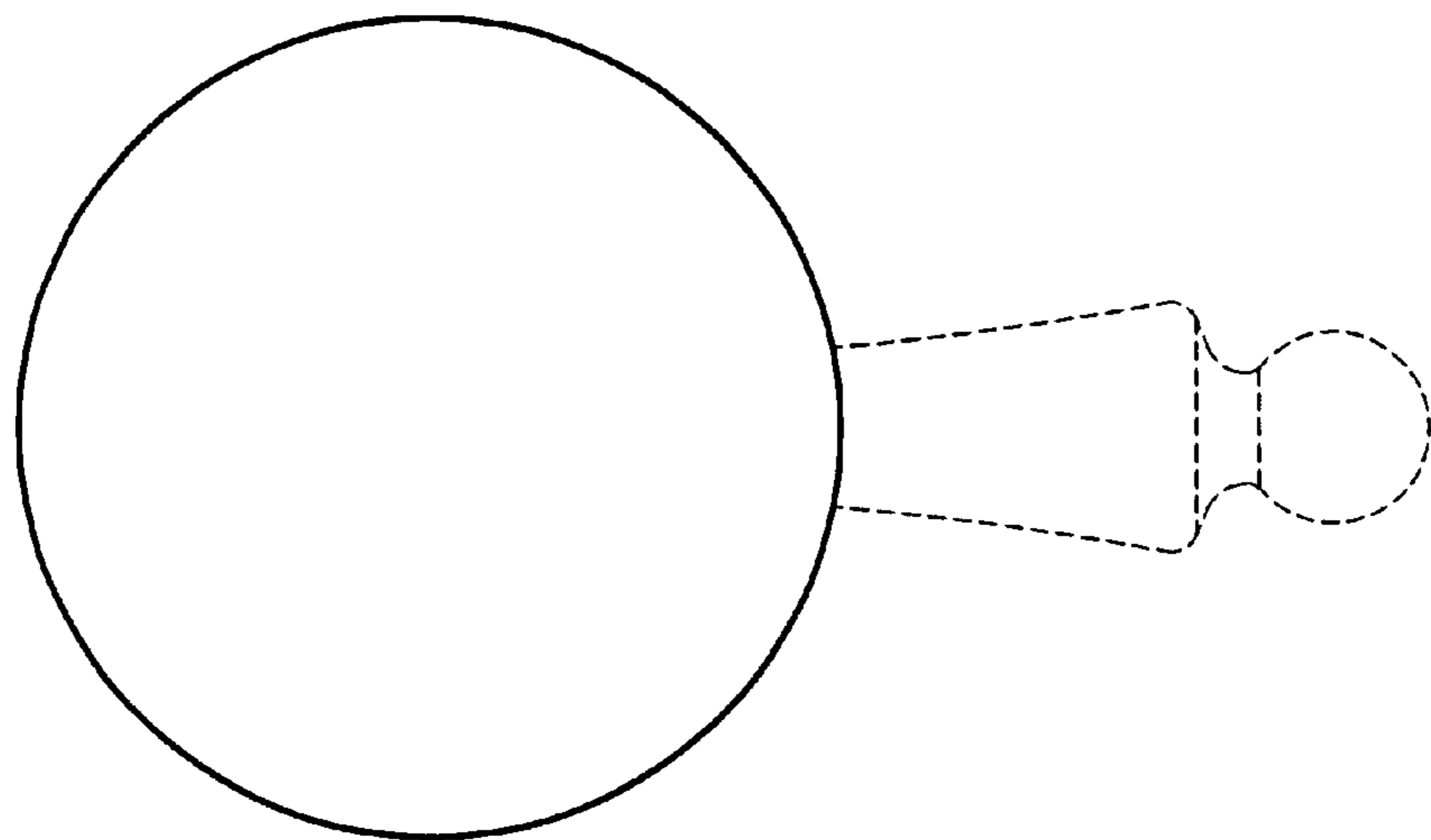


FIG. 7