

US00D509566S

(12) **United States Design Patent** (10) **Patent No.:** **US D509,566 S**  
**Yegyayan** (45) **Date of Patent:** **\*\* Sep. 13, 2005**

(54) <b>FAUCET BASE</b>	D430,920 S	9/2000	Lord
	D431,630 S	10/2000	Lord
(75) Inventor: <b>Kenar Yegyayan, Anaheim, CA (US)</b>	D433,485 S	11/2000	Lord
	D437,032 S	1/2001	Ko
(73) Assignee: <b>Newfrey LLC, Newark, DE (US)</b>	D438,291 S	2/2001	Lord
	D438,292 S	2/2001	Lord
(**) Term: <b>14 Years</b>	D440,282 S	4/2001	Lord
	D440,284 S	4/2001	Pitsch
(21) Appl. No.: <b>29/171,954</b>	D441,841 S	5/2001	Hunter et al.
	D444,540 S	7/2001	Pitsch
(22) Filed: <b>Dec. 3, 2002</b>	D445,482 S	7/2001	Lord
	D448,455 S	9/2001	Fabian et al.
(51) <b>LOC (8) Cl. .... 23-01</b>	D459,790 S	7/2002	Dretzka et al.
(52) <b>U.S. Cl. .... D23/249</b>	D460,156 S	7/2002	Kemp
(58) <b>Field of Search ..... D23/238-257;</b>	D465,829 S	* 11/2002	Singtoroj ..... D23/238
<b>D8/350-353; 4/675-678; 137/801</b>	D467,645 S	* 12/2002	Panis et al. .... D23/242
	D478,154 S	* 8/2003	Ouyoung ..... D23/249

(56) **References Cited**

**U.S. PATENT DOCUMENTS**

D98,037 S \* 12/1935 Hobbs ..... D23/243  
D141,349 S \* 5/1945 Stanitz ..... D23/243  
D207,044 S 2/1967 Horwitz  
D359,342 S 6/1995 Doughty et al.  
D360,679 S 7/1995 Doughty et al.  
D374,706 S 10/1996 Doughty et al.  
D374,708 S 10/1996 Doughty et al.  
D374,709 S 10/1996 Doughty et al.  
D375,145 S 10/1996 Doughty et al.  
D375,146 S 10/1996 Doughty et al.  
D376,414 S 12/1996 Doughty et al.  
D377,516 S 1/1997 Doughty et al.  
D378,230 S 2/1997 Doughty et al.  
D381,402 S 7/1997 Doughty et al.  
D381,404 S 7/1997 Doughty et al.  
D383,194 S 9/1997 Doughty et al.  
D384,130 S 9/1997 Doughty et al.  
D384,401 S 9/1997 Doughty et al.  
D384,402 S 9/1997 Doughty et al.  
D404,119 S 1/1999 Lord  
D404,466 S 1/1999 Lord  
D409,285 S \* 5/1999 Donahue et al. .... D23/241  
D413,652 S 9/1999 Ko  
D417,908 S 12/1999 Warshawsky et al.  
D418,579 S 1/2000 Pitsch et al.  
D428,969 S 8/2000 Pitsch  
D430,269 S 8/2000 Lord

\* cited by examiner

*Primary Examiner*—Louis S. Zarfaz  
*Assistant Examiner*—Gregory Andoll  
(74) *Attorney, Agent, or Firm*—Richard J. Veltman; John D. DelPonti

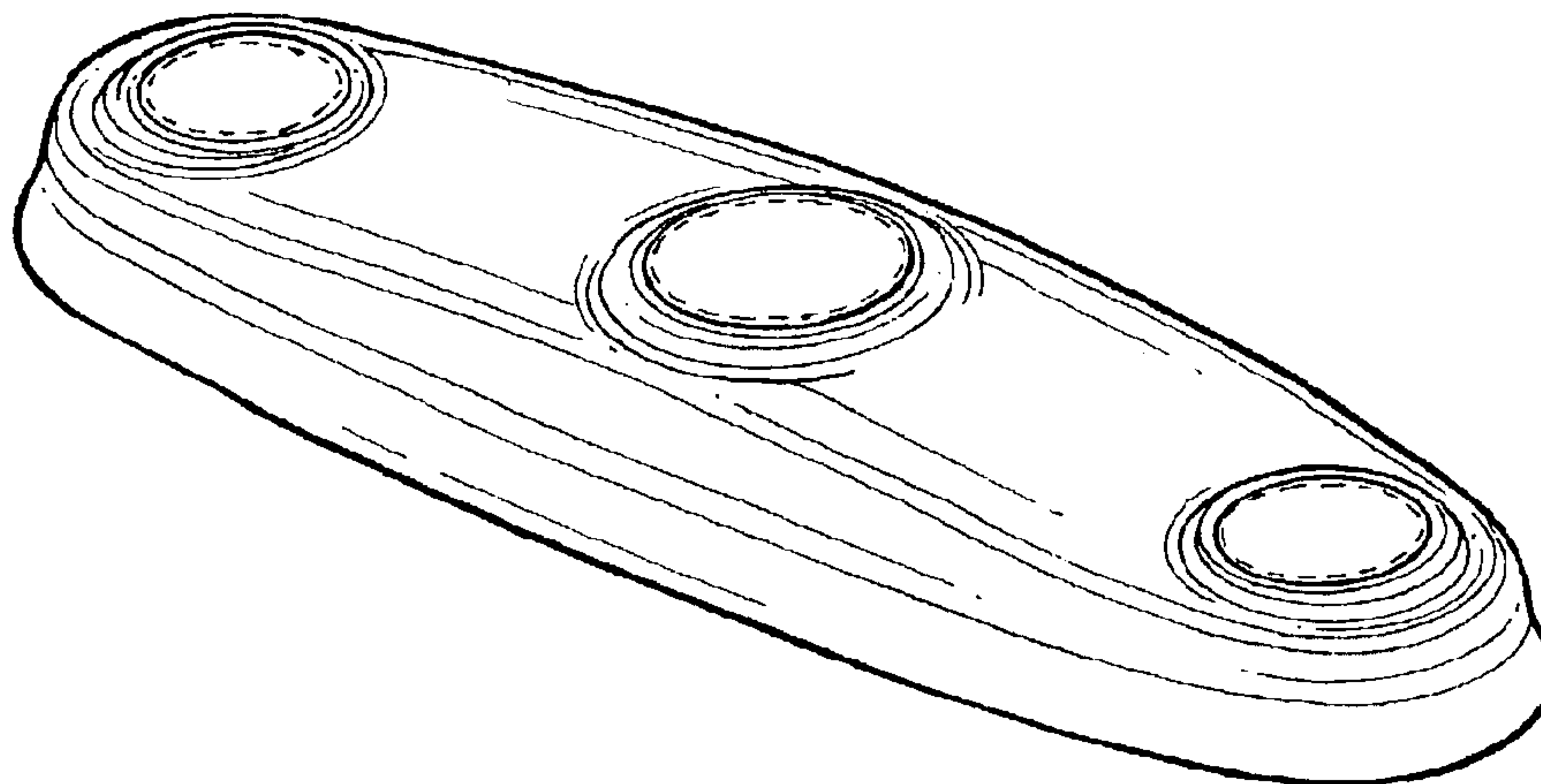
(57) **CLAIM**

The ornamental design for a faucet base, as shown and described.

**DESCRIPTION**

FIG. 1 is a perspective view of the new design for a faucet base;  
FIG. 2 is a front elevational view of the new design for a faucet base, the rear elevational view being a mirror image;  
FIG. 3 is a right side elevational view of the new design for a faucet base, the left side elevational view being a mirror image;  
FIG. 4 is a top plan view of the new design for a faucet base;  
and,  
FIG. 5 is a bottom plan view of the new design for a faucet base.  
The broken lines in the Figures are for illustrative purposes only and form no part of the claimed design.

**1 Claim, 2 Drawing Sheets**



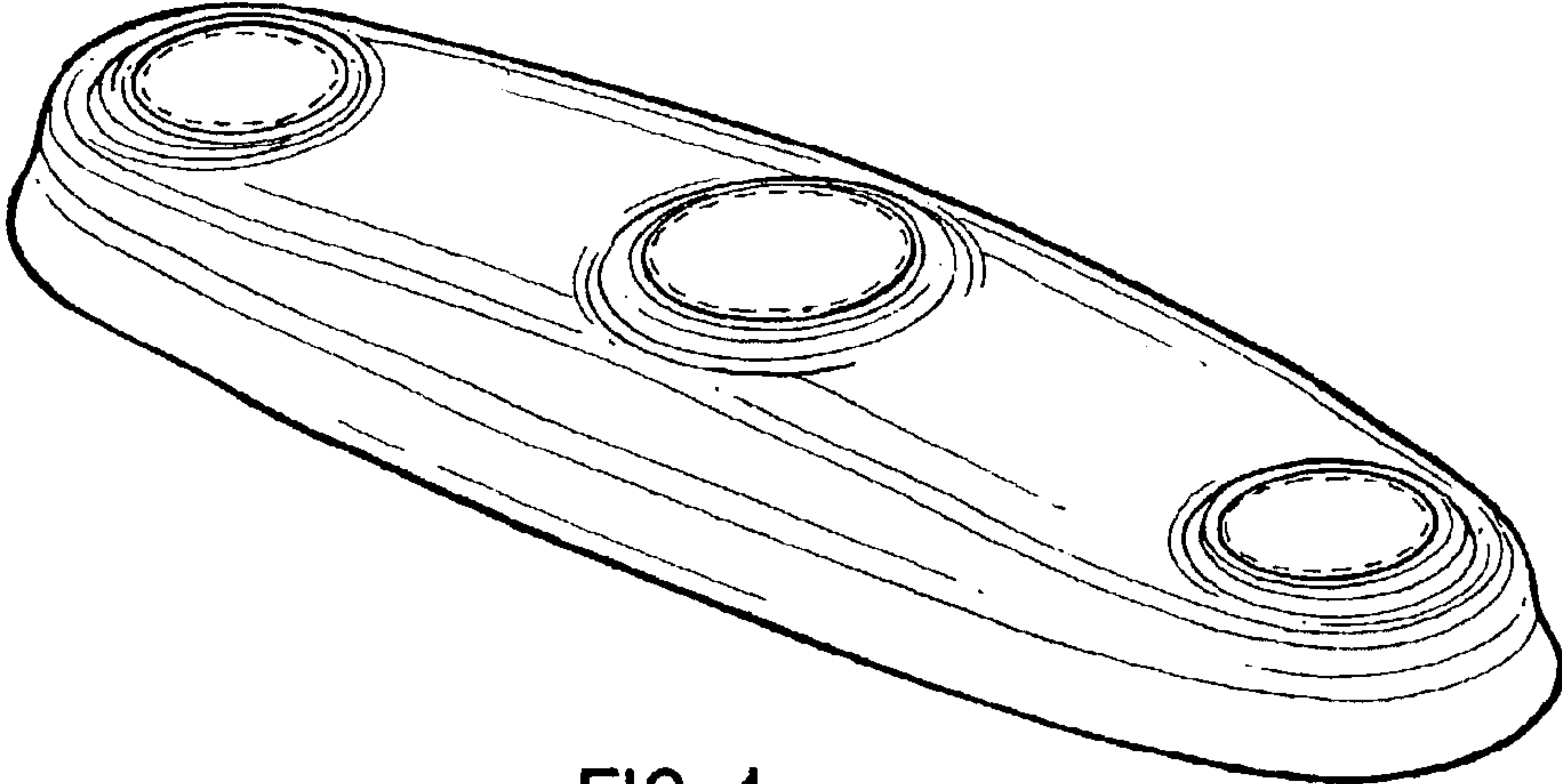


FIG. 1

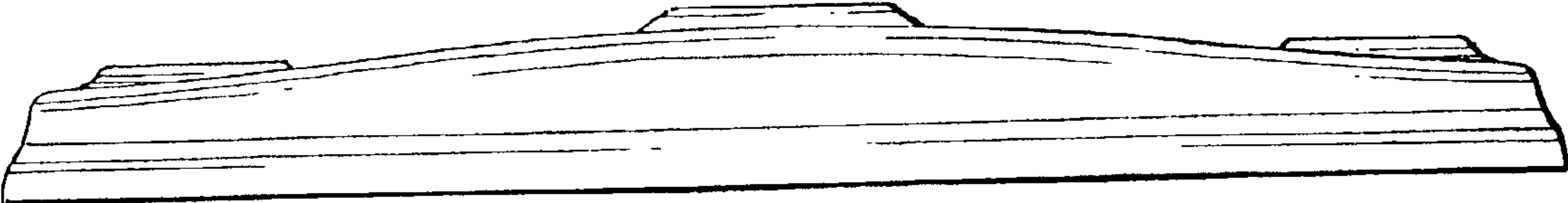


FIG. 2

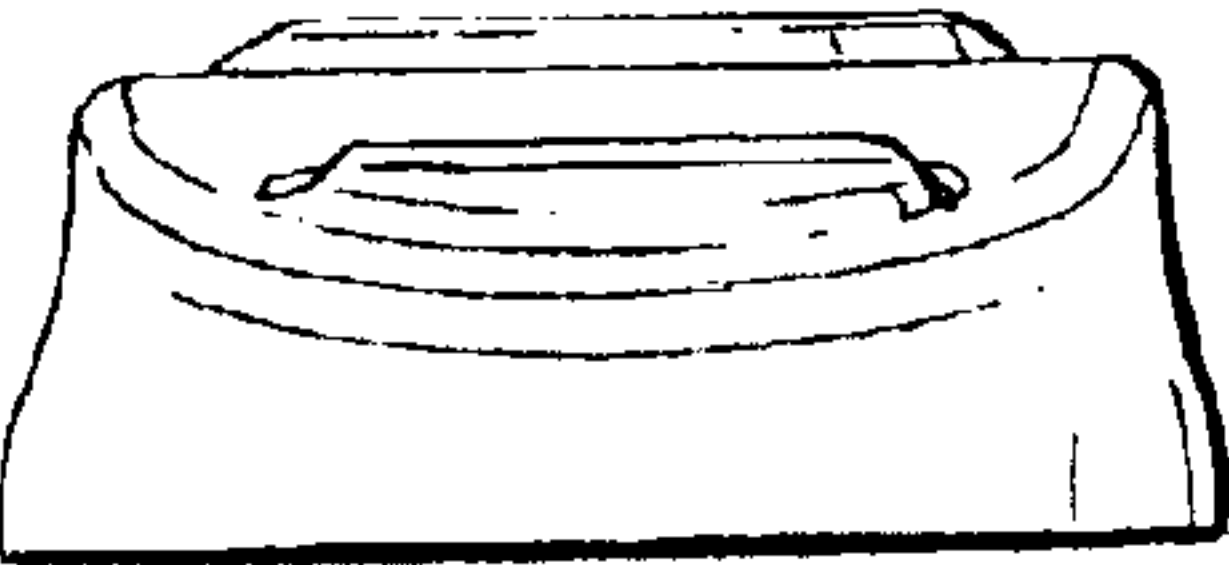


FIG. 3

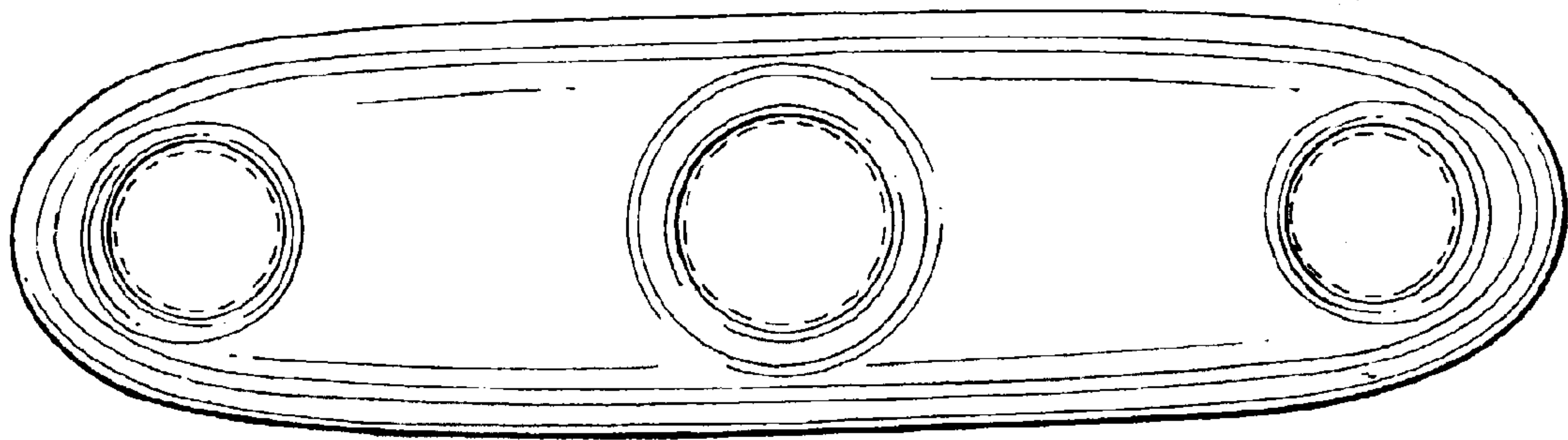


FIG. 4

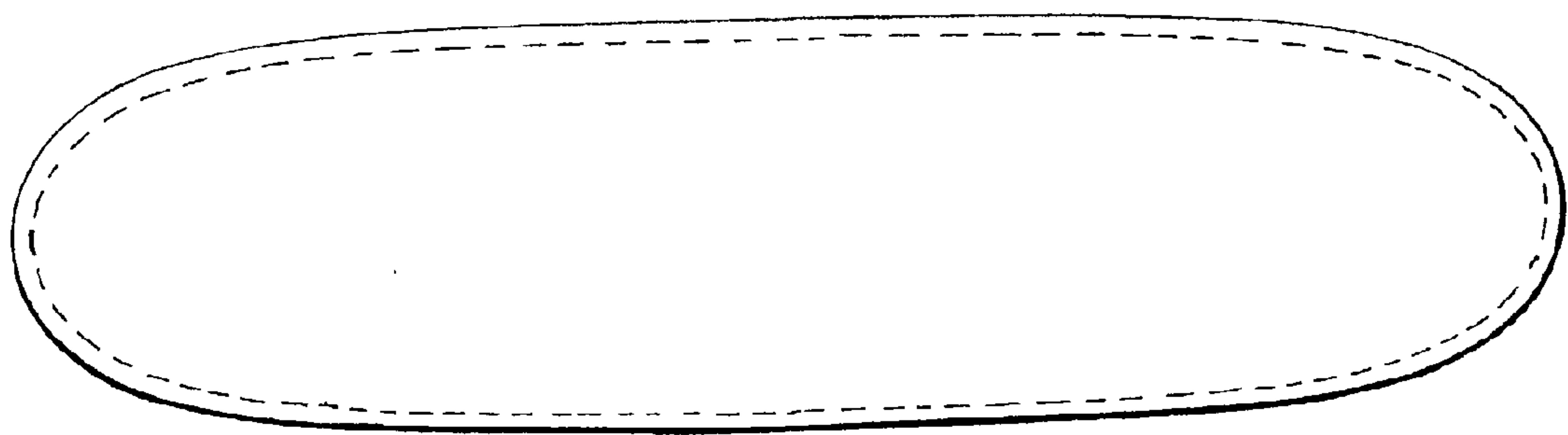


FIG. 5